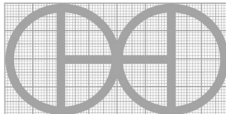
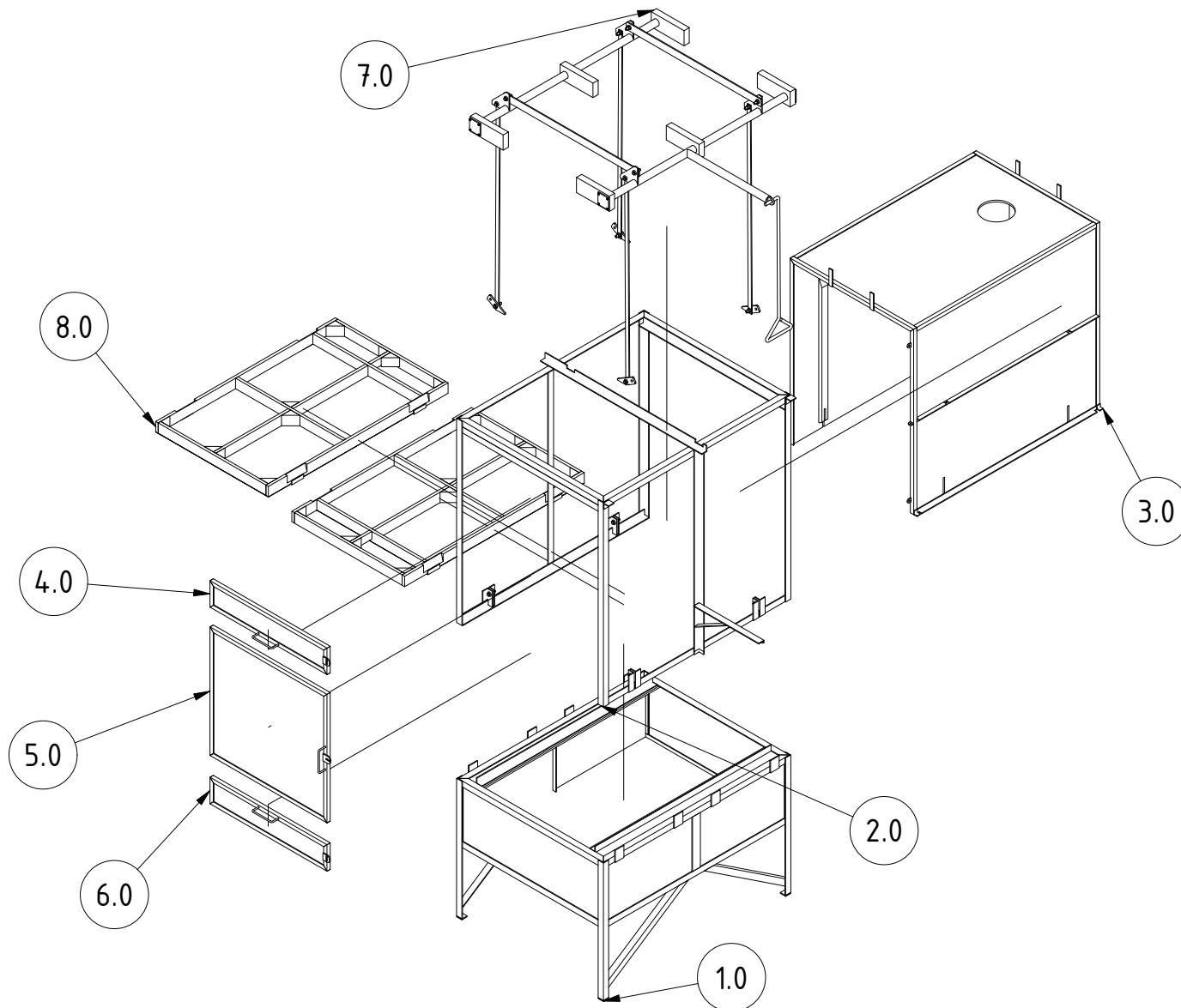
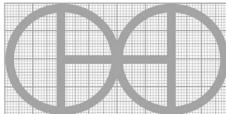


Note: All units are in millimeters

PROJECT	CREATED BY	APPROVED BY	DATE	VERSION
Semi-continuous tray dryer	J. Rosciano	A. Morillo	18/06/2021	1.2
PART NAME	FILE NAME			POS
3D views	Semi_Continuous_Tray_Dryer.iam			A2
DEVELOPED BY	REDESIGNED BY	DOC. TYPE	MATERIAL	QUANTITY
		ASSEMBLY		1
Practical Action	OHO e.V.	LICENCE	SCALE	SHEET
		CC-BY-SA 4.0	1/35	2 /97



PROJECT	CREATED BY	APPROVED BY	DATE	VERSION
Semi-continuous tray dryer	J. Rosciano	A. Morillo	18/06/2021	1.2
PART NAME	FILE NAME			POS
Exploded 3D view	Semi_Continuous_Tray_Dryer.ipn			A2
DEVELOPED BY	REDESIGNED BY	DOC. TYPE	MATERIAL	QUANTITY
		ASSEMBLY		1
Practical Action	OHO e.V.	LICENCE	SCALE	SHEET
		CC-BY-SA 4.0	1/50	3 /97