
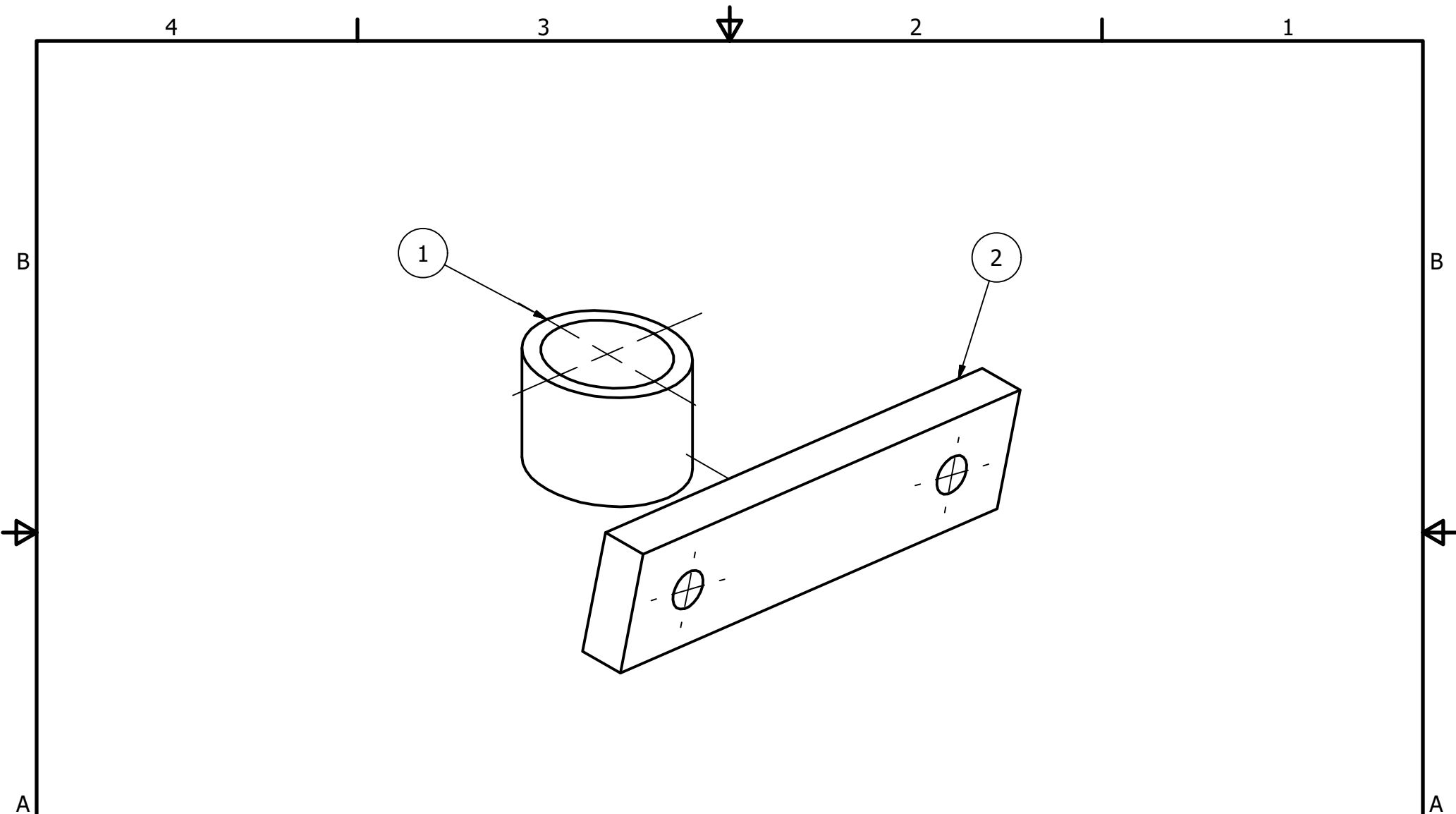




<b>Project</b> Wheel Barrow		Created by D. Mosquera		Approved by D. Jeager		
<b>Part Name</b> Axle-bearing-bracket		Part Code 2		Document Type Assambly		Material
Redesigned by  Open Source Ecology e.V. Knobelsdorffstr. 22 14059 Berlin www.ose-germany.de +49 (0) 30 / 92282426		Original drawing from <b>Practical ACTION</b>		License CERN-OHL		File Name oseg_wb_2_Axle-bearing-bracket.dam
				Version 1.0		Quantity
				Scale 1:1		Sheet 12
				Date 11.11.20		



<b>Project</b> Wheel Barrow		Created by <b>D. Mosquera</b>	Approved by <b>D. Jeager</b>		
<b>Part Name</b> Axle-bearing-bracket		Part Code 2	Document Type Assambly		Material
Redesigned by  Open Source Ecology e.V. Knobelsdorffstr. 22 14059 Berlin www.osx-germany.de +49 (0) 30 / 92282426	Original drawing from 	License CERN-OHL	File Name oseg_wb_2_Axle-bearing-bracket.iam		Version 1.0
			Scale 1:1	Sheet 12	Quantity Date 11.11.20