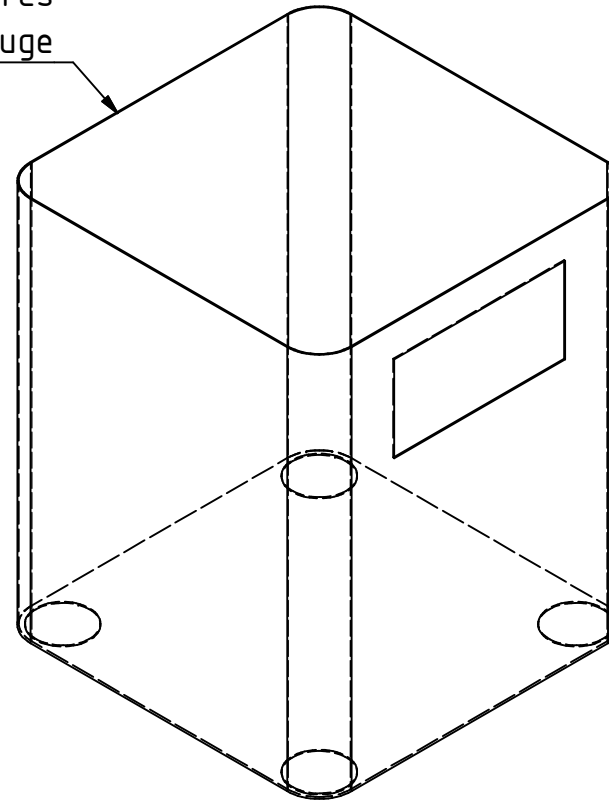


Metal pail
20 litres
26 gauge



Note: All units in mm.

PROJECT Sawdust stove made with a 20 L tin can		CREATED BY J. Zeron	APPROVED BY A. Morillo	DATE 23/09/2021	VERSION 1.0
PART NAME Pail		FILE NAME Pail.ipt			POS 3
DEVELOPED BY Vita	REDESIGNED BY OHO e.V.	DOC. TYPE Part	MATERIAL Metal pail	QUANTITY 1	
		LICENCE CC-BY-SA 4.0	SCALE 1:5	SHEET 6 /17	