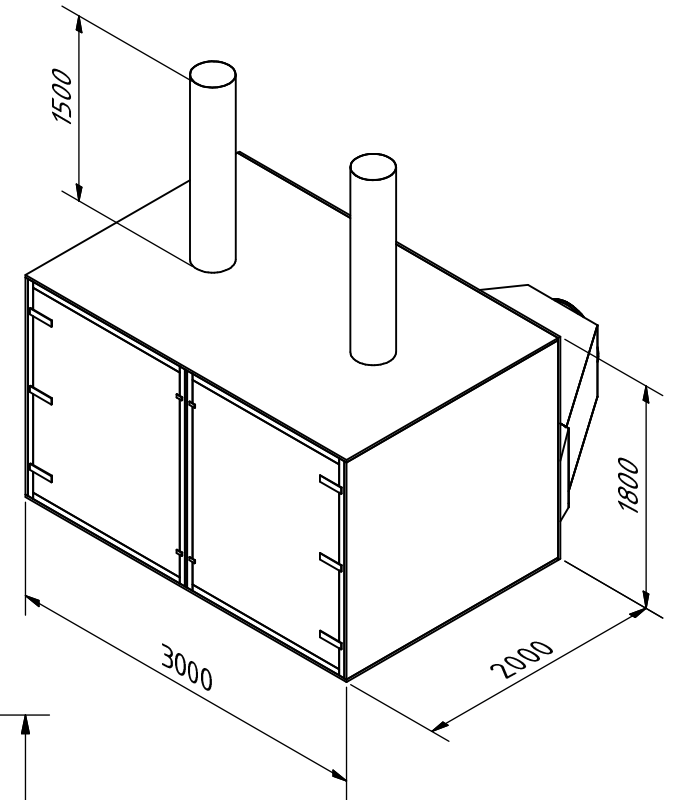
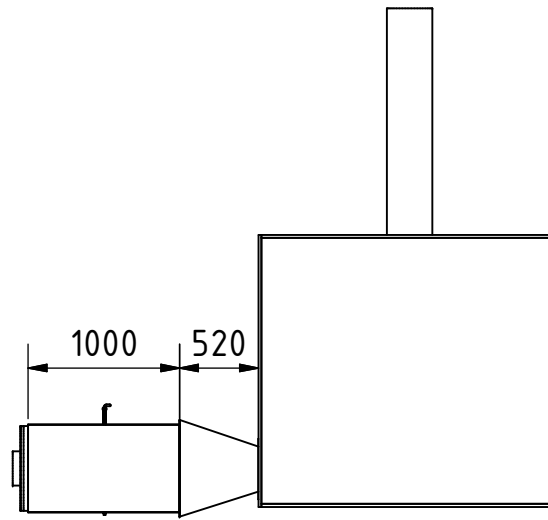
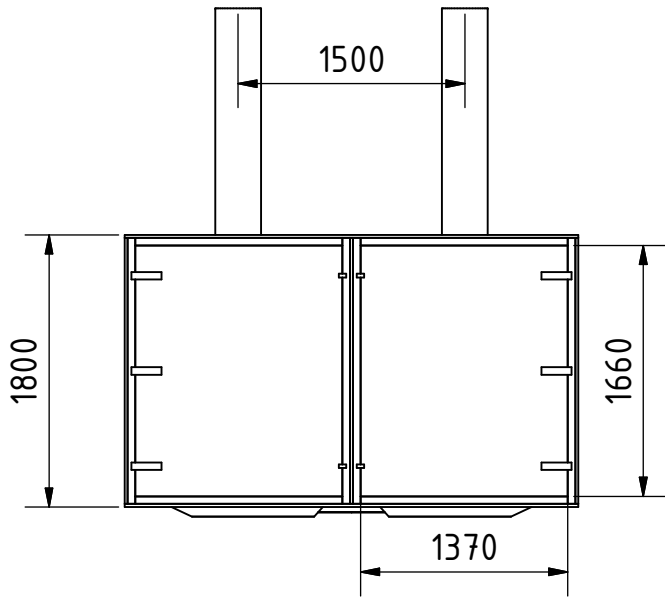
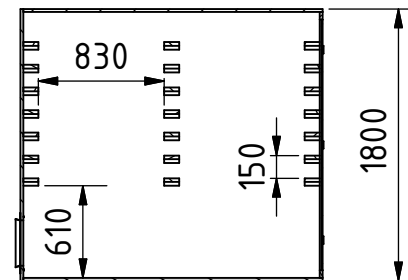
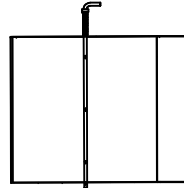
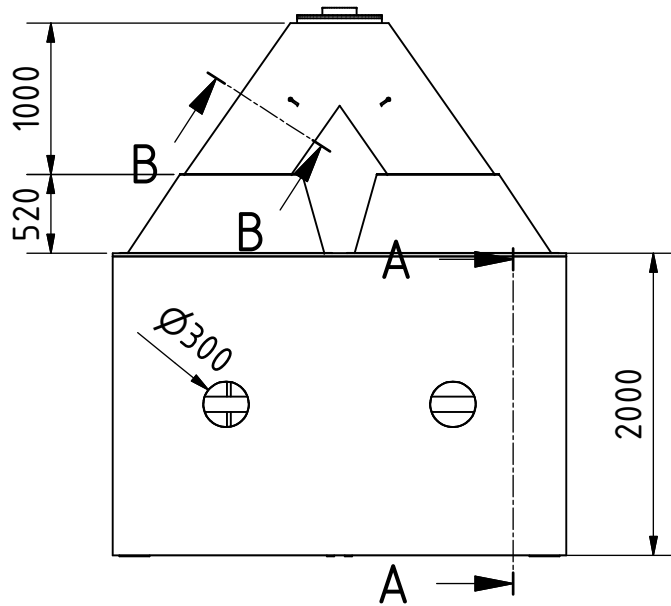


# ELEVATION ( 1 : 50 )



## A-A ( 1 : 50 )

## B-B ( 1 : 30 )



Note: All units in mm.

|                  |                              |              |            |          |
|------------------|------------------------------|--------------|------------|----------|
| PROJECT          | CREATED BY                   | APPROVED BY  | DATE       | VERSION  |
| Batch Tray Dryer | J. Zeron                     | A. Morillo   | 10/08/2021 | 1.0      |
| PART NAME        | FILE NAME                    | POS          |            |          |
| 3d views         | pac_btd_batch-tray-dryer.iam | A1           |            |          |
| DEVELOPED BY     | REDESIGNED BY                | DOC. TYPE    | MATERIAL   | QUANTITY |
| Practical Action | OHO e.V.                     | Assembly     |            |          |
|                  |                              | LICENCE      | SCALE      | SHEET    |
|                  |                              | CC-BY-SA 4.0 | 1:50       | 1 /28    |