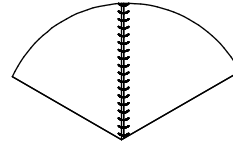
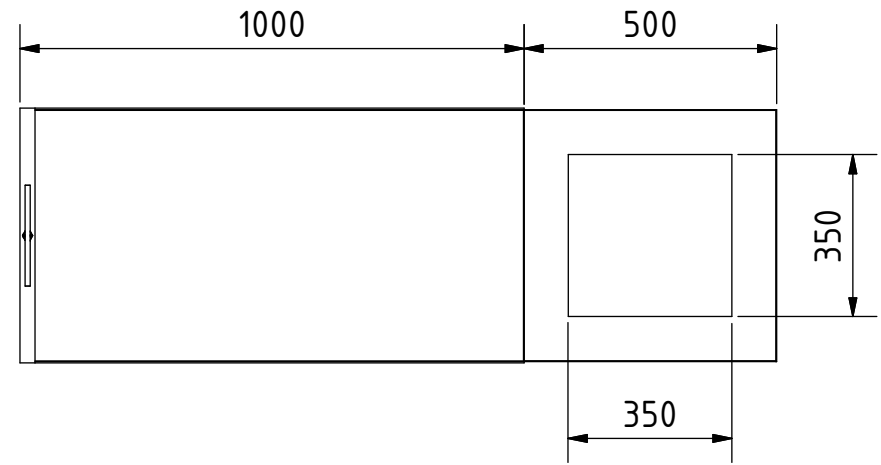
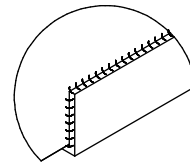


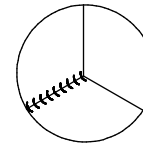
A ( 1 : 3 )



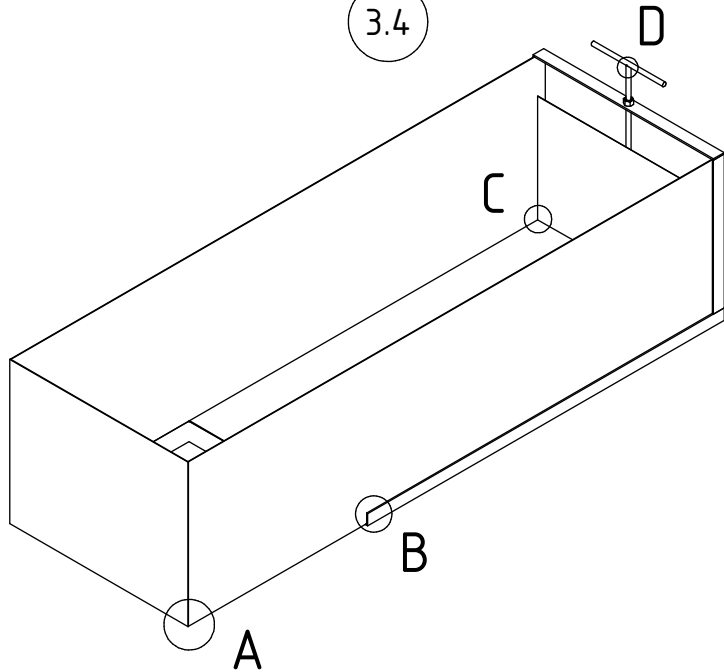
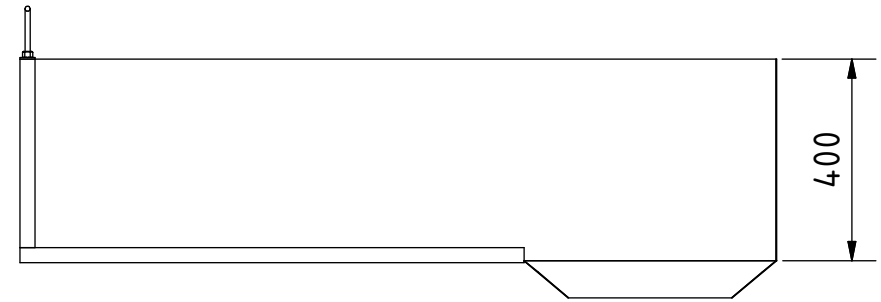
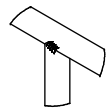
B ( 1 : 3 )




C ( 1 : 3 )



D ( 1 : 3 )



Note: All units in mm.

PROJECT	CREATED BY	APPROVED BY	DATE	VERSION
Segner turbine for 4m pit	J. ZERON	A. MORILLO	04/11/2021	1.0
PART NAME	FILE NAME			POS
Channel	Channel.ipn			3.0
DEVELOPED BY	REDESIGNED BY	DOC. TYPE	MATERIAL	QUANTITY
Ueli Meier, Markus Eisenring, Alex Arter	 OPEN SOURCE ECOLOGY GERMANY	Assembly		1
		LICENCE	SCALE	SHEET
		CC-BY-SA 4.0	1:15	19 /27

OSEG