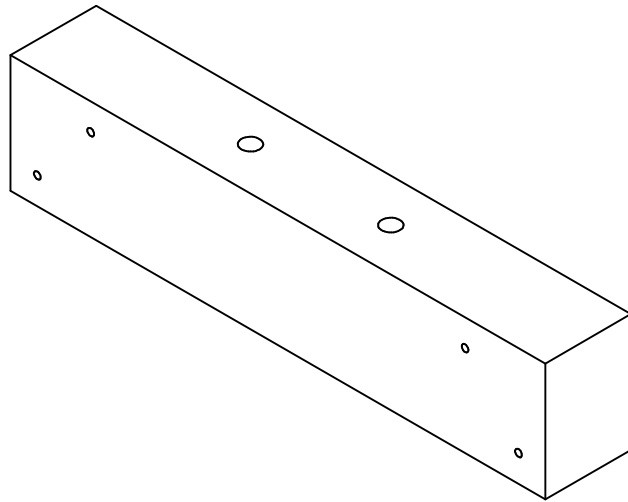
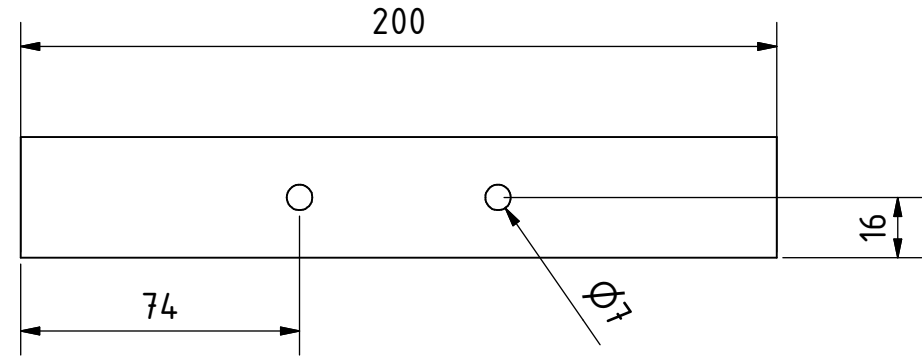
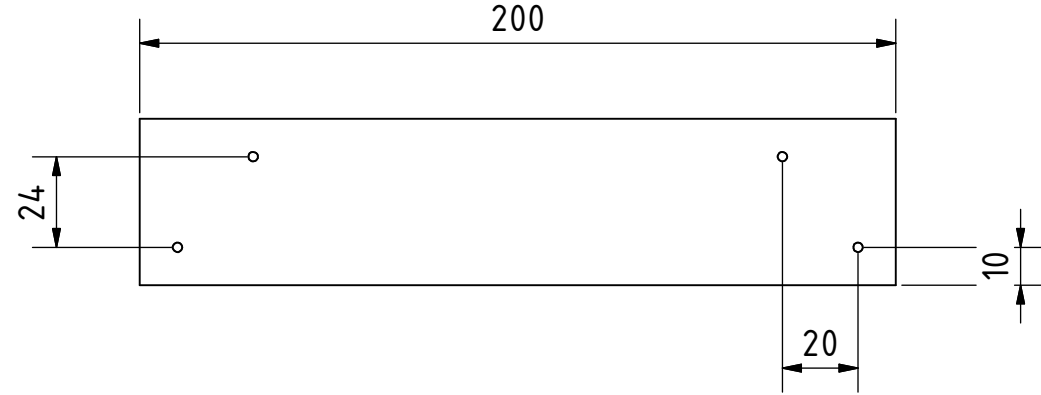
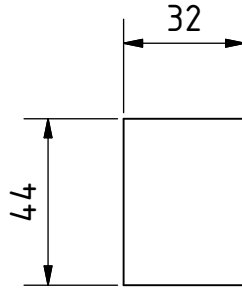


ELEVATION (1 : 2)



Note: All units in mm.

PROJECT Hand Operated Winnower for groundnut		CREATED BY J. Zeron	APPROVED BY A. Morillo	DATE 09/08/2021	VERSION 1.0
PART NAME Central mount		FILE NAME Central mount.ipt			POS 2.5
DEVELOPED BY Tropical Products Institut		REDESIGNED BY OHO e.V.	DOC. TYPE Part	MATERIAL Hard wood	QUANTITY 2
			LICENCE CC-BY-SA 4.0	SCALE 1:2	SHEET 16 /45