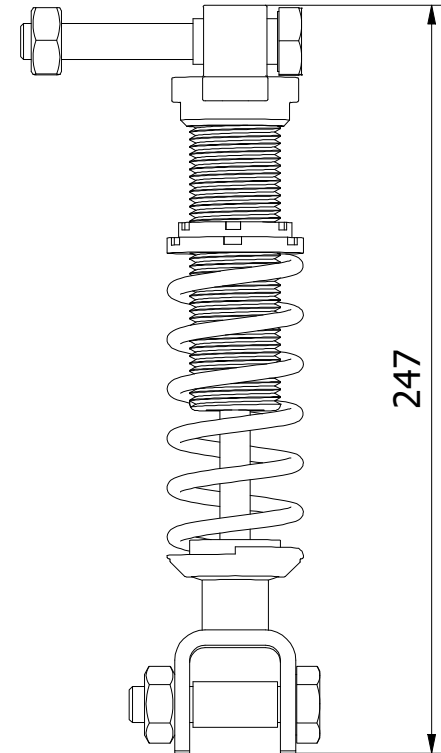
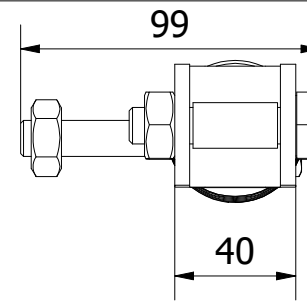
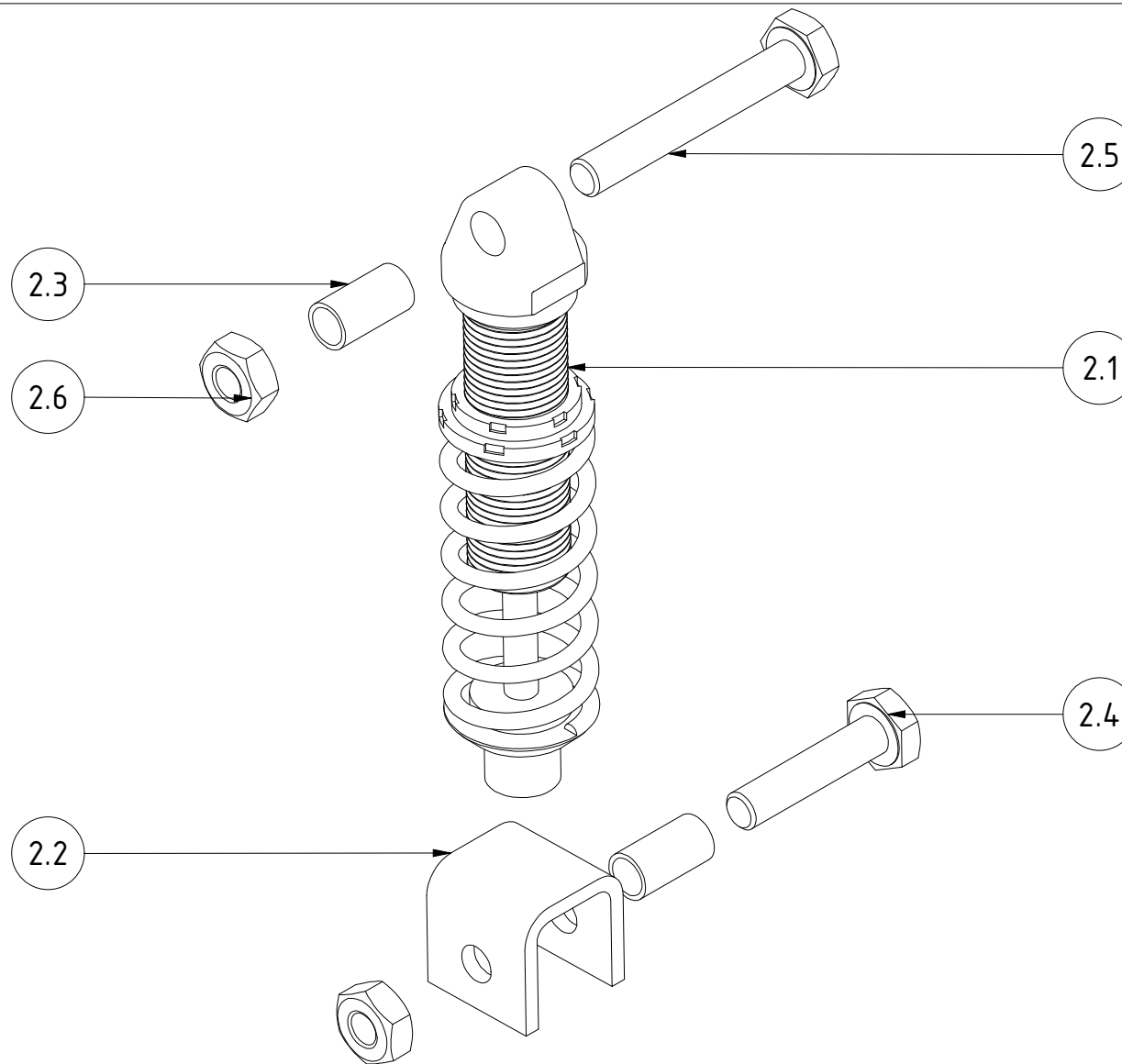


H ( 1.5/1 )



Note: All units in mm.

PROJECT Convertible Bicycle Trailer for People - with shock absorber		CREATED BY J. Rosciano	APPROVED BY A. Morillo	DATE 26/07/2021	VERSION 1.1
PART NAME Shock absorber assembly		FILE NAME Shock absorber assembly.iam			POS 2.0
DEVELOPED BY Practical Action	REDESIGNED BY OHO e.V.	DOC. TYPE Assembly	MATERIAL	QUANTITY 2	
		LICENCE CC-BY-SA 4.0	SCALE 1/2.5	SHEET 14 /51	



PROJECT Convertible Bicycle Trailer for People - with shock absorber		CREATED BY J. Rosciano	APPROVED BY A. Morillo	DATE 26/07/2021	VERSION 1.1
PART NAME Shock absorber assembly		FILE NAME Shock absorber assembly.ipn			POS 2.0
DEVELOPED BY Practical Action	REDESIGNED BY OHO e.V.	DOC. TYPE Assembly	MATERIAL	QUANTITY 2	
		LICENCE CC-BY-SA 4.0	SCALE 1/2	SHEET 15 /51	