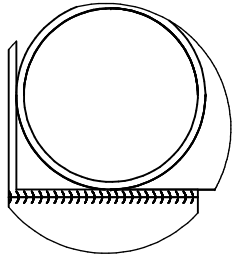
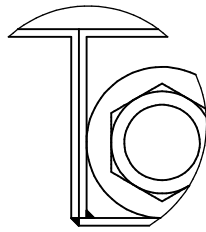


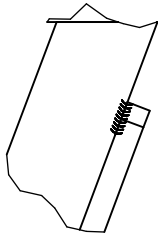
A ( 1 : 2 )



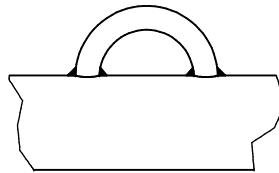
B ( 1 : 2 )



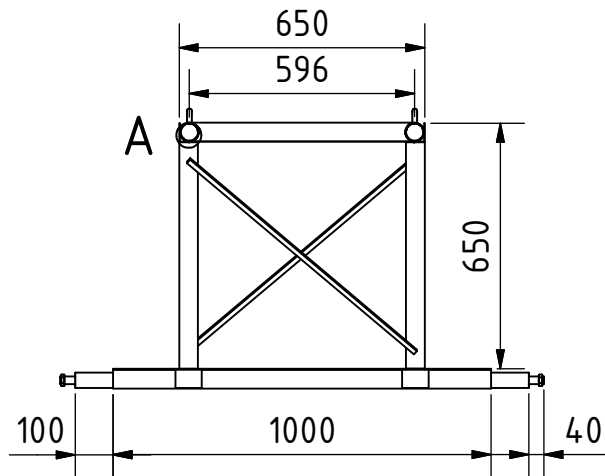
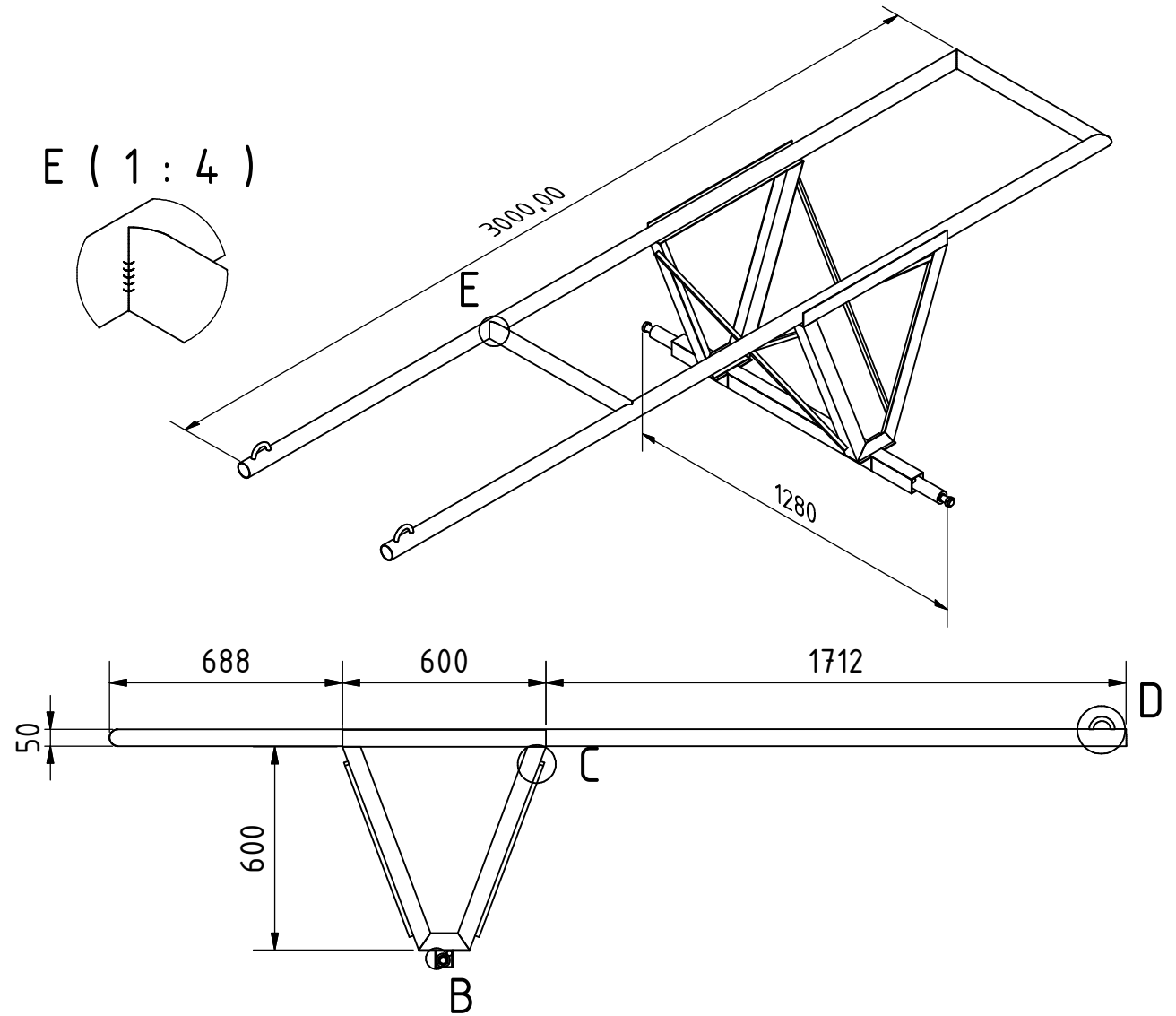
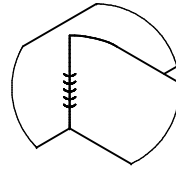
C ( 1 : 4 )



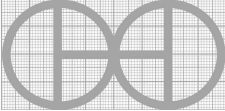
D ( 1 : 4 )



E ( 1 : 4 )



Note: All units in mm.

PROJECT	CREATED BY	APPROVED BY	DATE	VERSION
Donkey Cart Frame	J. Zeron	A. Morillo	31/07/2021	1.0
PART NAME	FILE NAME			POS
3d views	pac_dcf_donkey-cart-frame.iam			A1
DEVELOPED BY	REDESIGNED BY	DOC. TYPE	MATERIAL	QUANTITY
		Assembly		1
Practical Action	OHO e.V.	LICENCE	SCALE	SHEET
		CC-BY-SA 4.0	1:20	1 / 10