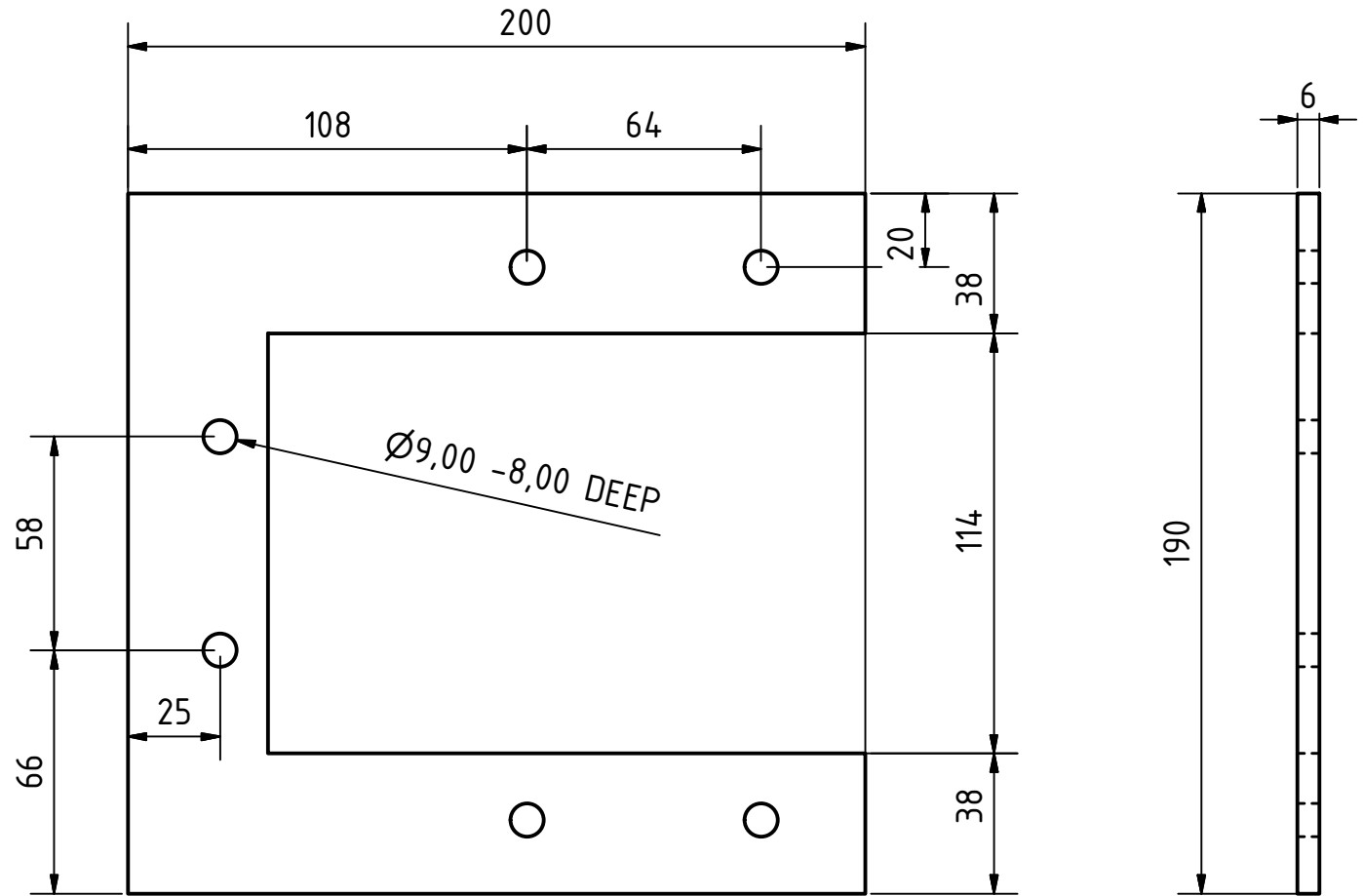
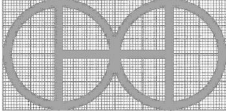


SCALE (1 : 4)



SCALE (1 : 2)

Note: All units in mm.

PROJECT Peeling Machine for Sunflower Seeds	CREATED BY L. Ruda	APPROVED BY A. Morillo	DATE 16/09/2021	VERSION 1.0
PART NAME Bed plate	FILE NAME Bed plate.ipt			POS 2.1.2
DEVELOPED BY	REDESIGNED BY 	DOC. TYPE Part	MATERIAL Steel A53	QUANTITY 1
Tropical Products Institute	OHO e.V.	LICENCE CC-BY-SA 4.0	SCALE 1:2	SHEET 26 /71