
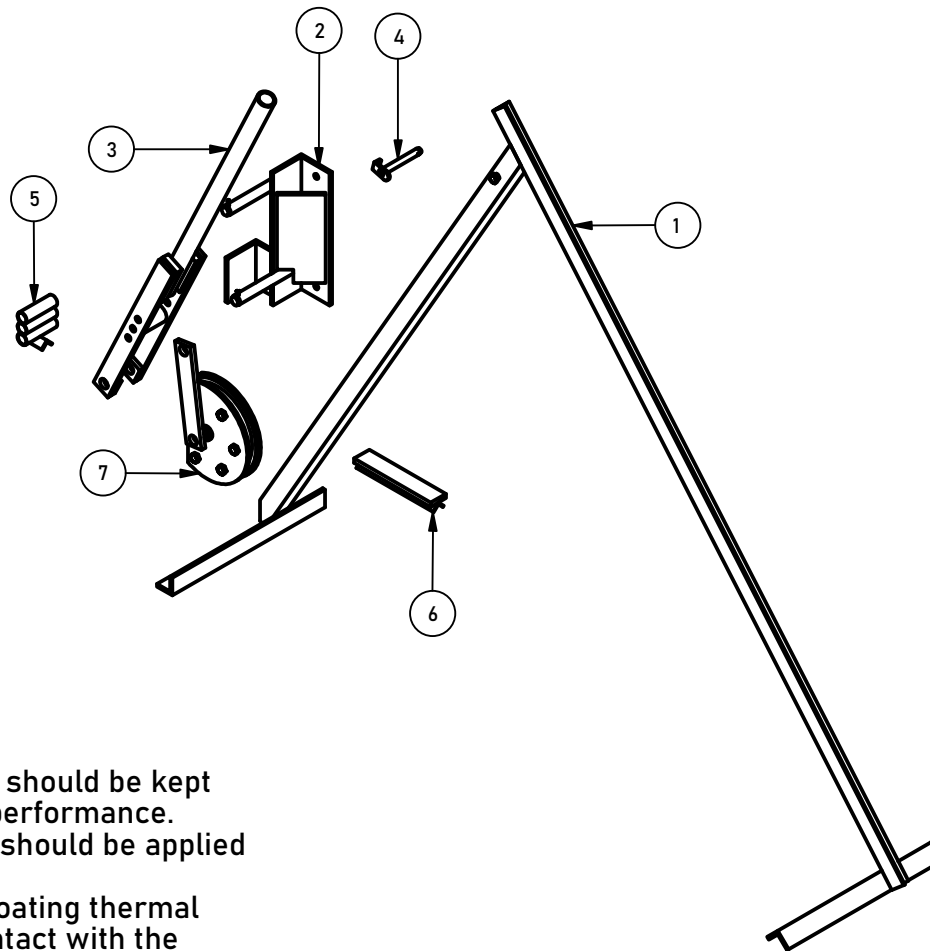



PROJECT <b>PIPE BENDING MACHINE</b>		CREATED BY <b>A. PARDO</b>		APPROVED BY <b>D. Jaeger</b>	
PART NAME <b>PIPE BENDING MACHINE</b>		PART CODE <b>A1</b>		DOCUMENT TYPE <b>ASSEMBLY</b>	
 <b>OPEN HARDWARE OBSERVATORY</b> Free Blueprints for Sustainable Development		LICENSE <a href="https://creativecommons.org/licenses/by-sa/4.0/">CC-BY-SA 4.0</a>		FILE NAME <b>PIPE BENDING MACHINE.iam</b>	
		SCALE <b>1 / 16</b>		VERSION <b>1.0</b>	
				QUANTITY	
				SHEET <b>1</b>	
				DATE <b>28/11/2020</b>	




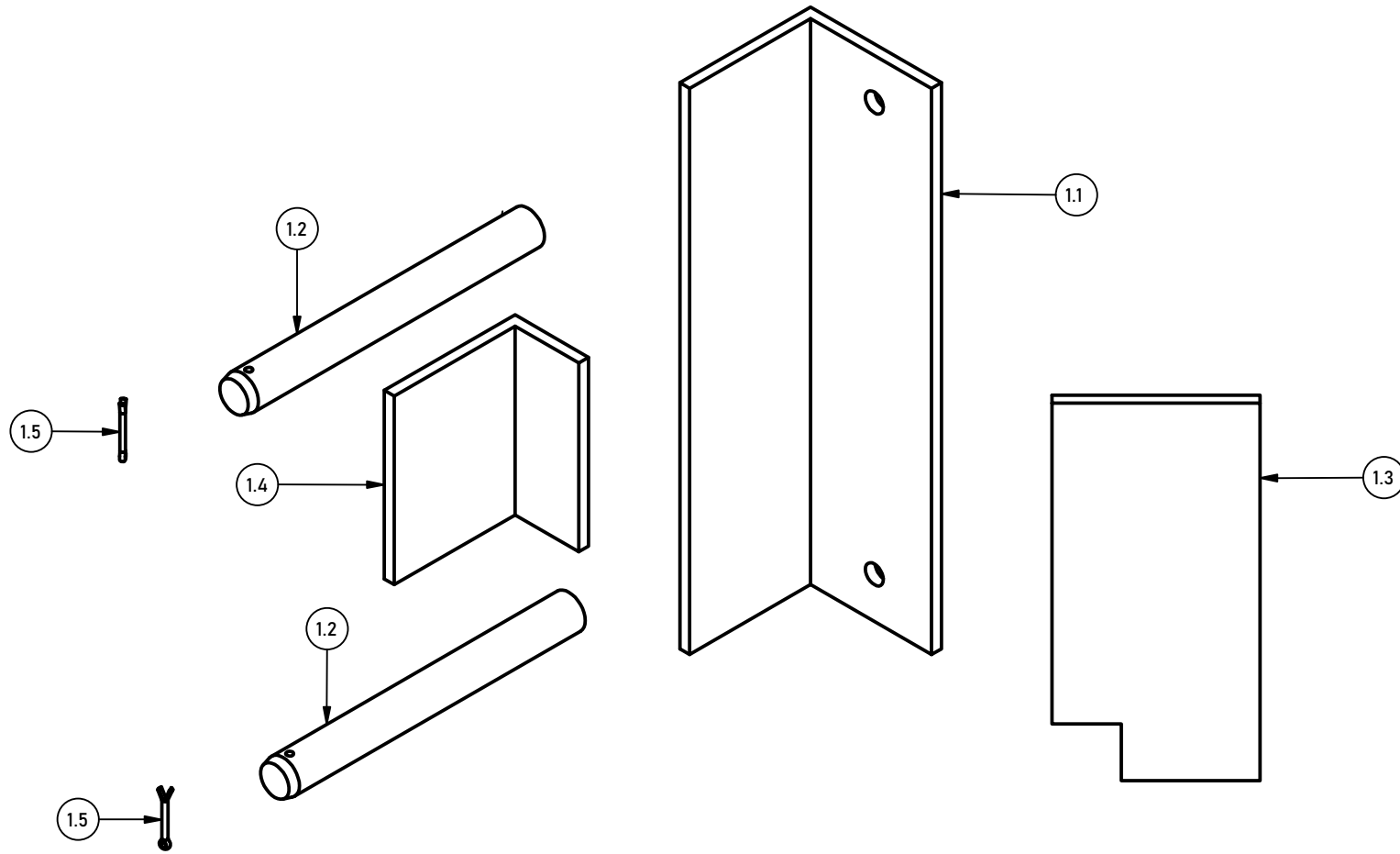
**NOTES:**


- Moving and sliding parts should be kept lubricated for optimum performance.
- An anticorrosive primer should be applied to the entire structure.
- Apply a tempering and coating thermal treatment to parts in contact with the material.

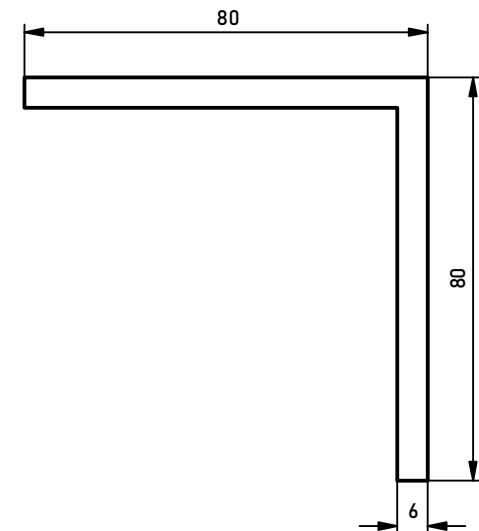
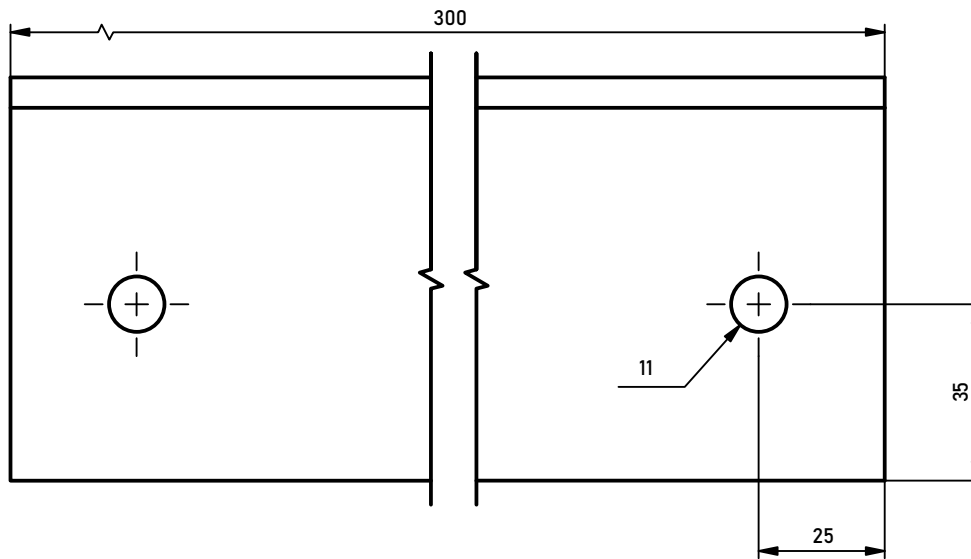
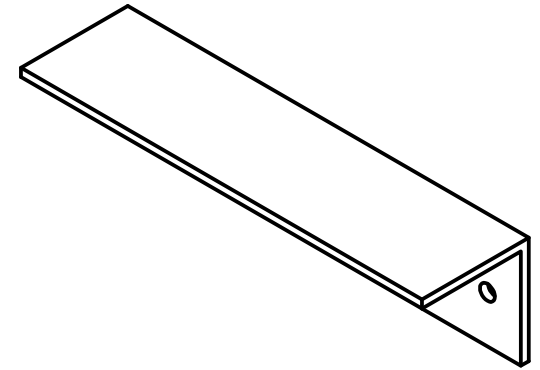
PROJECT <b>PIPE BENDING MACHINE</b>		CREATED BY A. PARDO		APPROVED BY D. Jaeger	
PART NAME PIPE BENDING MACHINE		PART CODE <b>A2</b>		DOCUMENT TYPE ASSEMBLY	
 <b>OPEN HARDWARE OBSERVATORY</b> Free Blueprints for Sustainable Development		LICENSE <a href="https://creativecommons.org/licenses/by-sa/4.0/">CC-BY-SA 4.0</a>		FILE NAME PIPE BENDING MACHINE.iam	
		SCALE 1 / 14		VERSION 1.0	
		SHEET 2		QUANTITY	
		DATE 28/11/2020			


PARTS LIST							
POS.	POS. OLD	QTY	PART NAME	FILE NAME	PART TYPE	SPECIFICATION	SHEET
A1		1	PIPE BENDING MACHINE	PIPE BENDING MACHINE.iam			1
A2		1	PIPE BENDING MACHINE	PIPE BENDING MACHINE.iam			2
B1		1	PARTS LITS	PARTS LITS PIPEBENDING MACHINE.iam			3
1		1	SUB-PIPE BENDING MACHINE 1	SUB-PIPE BENDING MACHINE 1.iam			4
1.1	1	1	FRAME	FRAME.ipt	Production	STEEL A36	5
1.2	4	1	MAIN PIN	MAIN PIN.ipt	Production	STEEL C45	6
1.3	2	1	STIFFENER	STIFFENER.ipt	Production	STEEL C45	7
1.4	3	1	FORMER STOP	FORMER STOP.ipt	Production	STEEL C45	8
1.5		2	Pin - Cotter		Standard	SAE J487a - 3/32 x 1 Extended Prong Square Cut Type	
2		1	SUB-PIPE BENDING MACHINE 2	SUB-PIPE BENDING MACHINE 2.iam			9
2.1	9	1	FOOT	FOOT.ipt	Production	STEEL A36	10
2.2	6	1	SUPPORT LEG	SUPPORT LEG.ipt	Production	STEEL A36	11
2.3	5	1	MAIN LEG	MAIN LEG.ipt	Production	STEEL A36	12
2.4		1	Metric Formed Hex Screw		Standard	ANSI B18.2.3.2M - M10 x 1,5	
2.5		6	Hex Jam Nut		Standard	ANSI B18.2.4.5M - M10 x 1.5	
3		1	SUB-PIPE BENDING MACHINE 3	SUB-PIPE BENDING MACHINE 3.iam			13
3.1	18	1	HANDLE	HANDLE.ipt	Production	STEEL A36	14
3.2	21	1	FORMER SPACER	FORMER SPACER.ipt	Production	STEEL C45	15
3.3	19	1	HANDLE ARM	HANDLE ARM.ipt	Production	STEEL C45	16
3.4	20	1	HANDLE SPACER	HANDLE SPACER.ipt	Production	STEEL C45	17
3.5	17	1	ROLLER	ROLLER.ipt	Production	STEEL C45	18
4		1	SUB-PIPE BENDING MACHINE 4	SUB-PIPE BENDING MACHINE 4.iam			19
4.1	14	1	ROLLER PIN	ROLLER PIN.ipt	Production	STEEL C45	20
4.2	15	1	PIN HANDLE	PIN HANDLE.ipt	Production	STEEL C45	21
5		1	SUB-PIPE BENDING MACHINE 5	SUB-PIPE BENDING MACHINE 5.iam			22
5.1	10	1	STOP TUBE	STOP TUBE.ipt	Production	STEEL A36	23
5.2	11	1	STOP ANGLE	STOP ANGLE.ipt	Production	STEEL A36	24
6		1	SUB-PIPE BENDING MACHINE 6	SUB-PIPE BENDING MACHINE 6.iam			25
6.1	12	1	GUIDE ANGLE	GUIDE ANGLE.ipt	Production	STEEL A36	26
6.2	13	1	GUIDE BASE	GUIDE BASE.ipt	Production	STEEL C45	27
7		1	SUB-PIPE BENDING MACHINE 7	SUB-PIPE BENDING MACHINE 7.iam			28
7.1	23	1	FORMER BASE	FORMER BASE.ipt	Production	STEEL C45	29
7.2	24	2	FORMER SIDE	FORMER SIDE.ipt	Production	STEEL C45	30
7.3	25	1	SPACER TUBE	SPACER TUBE.ipt	Production	STEEL C45	31
7.4	22	1	PIN LINK	PIN LINK.ipt	Production	STEEL C45	32
7.5		5	Hex Bolt		Standard	ANSI B18.2.3.5M - M10 x 1,5 x 45	

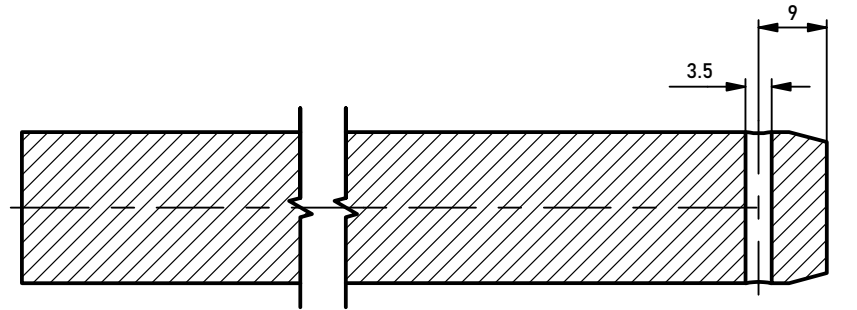
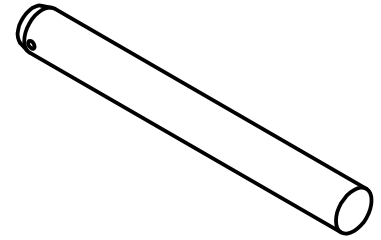
PROJECT <b>PIPE BENDING MCHINE</b>		CREATED BY <b>A. PARDO</b>		APPROVED BY D. Jaeger	
PART NAME PIPE BENDING MACHINE		PART CODE B1		DOCUMENT TYPE PART LIST	
 <b>OPEN HARDWARE OBSERVATORY</b> Free Blueprints for Sustainable Development		LICENSE <b>CC-BY-SA 4.0</b>		FILE NAME parts list pipe binding machine.iam	
				SCALE 1 / 20	SHEET 3



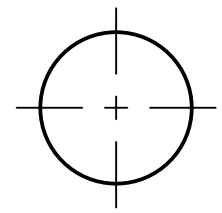
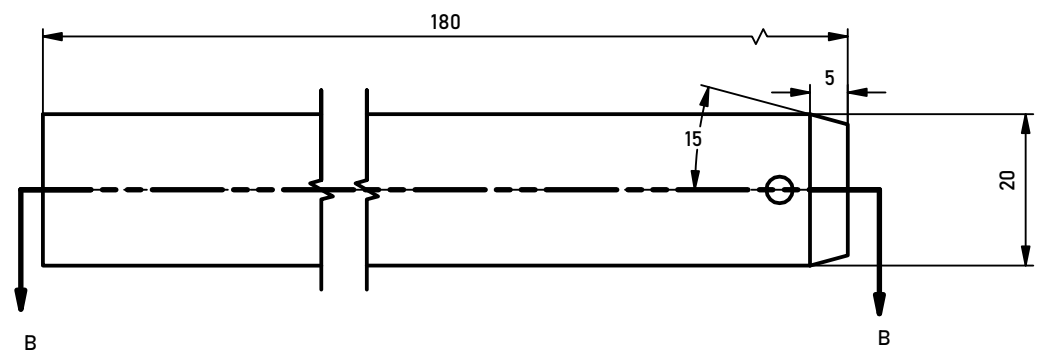
PROJECT <b>PIPE BENDING MACHINE</b>		CREATED BY <b>A. PARDO</b>		APPROVED BY <b>D. Jaeger</b>	
PART NAME <b>SUB-PIPE BENDING MACHINE 1</b>		PART CODE <b>1</b>		DOCUMENT TYPE <b>ASSEMBLY</b>	
 <b>OPEN HARDWARE OBSERVATORY</b> Free Blueprints for Sustainable Development		LICENSE <a href="https://creativecommons.org/licenses/by-sa/4.0/">CC-BY-SA 4.0</a>		FILE NAME SUB-PIPE BENDING MACHINE 1.item1.0	
				SCALE 1 / 3	SHEET 1




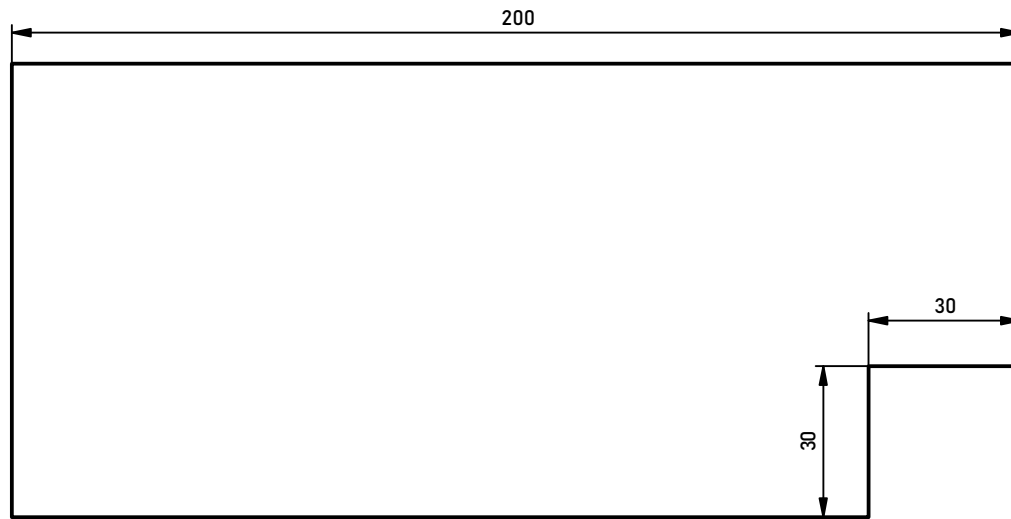
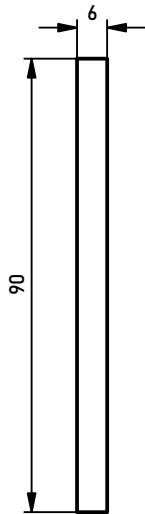
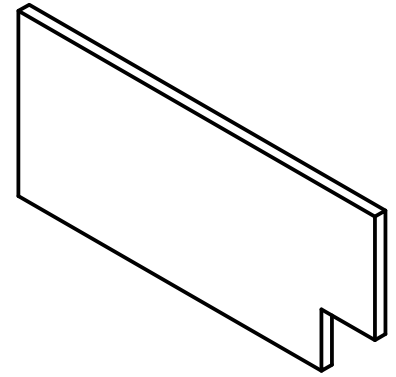
PROJECT <b>PIPE BENDING MACHINE</b>		CREATED BY <b>A. PARDO</b>		APPROVED BY D. Jaeger	
PART NAME FRAME		PART CODE 1.1		DOCUMENT TYPE Production	
 <b>OPEN HARDWARE OBSERVATORY</b> Free Blueprints for Sustainable Development		LICENSE <a href="https://creativecommons.org/licenses/by-sa/4.0/">CC-BY-SA 4.0</a>		MATERIAL Steel A36	
		FILE NAME FRAME.ipt		VERSION 1.0	
		SCALE 1:1.5		SHEET 5	
				DATE 26/10/2020	




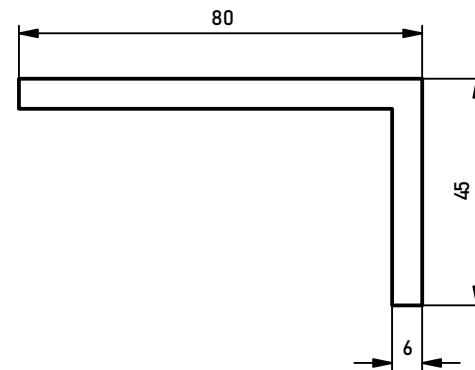
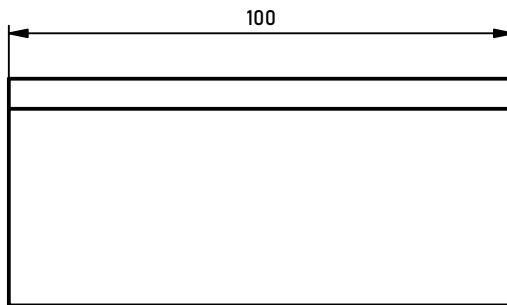
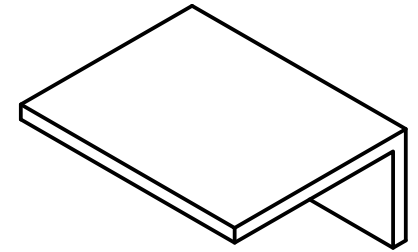
SECTION B-B  
SCALE 1:1




PROJECT <b>PIPE BENDING MACHINE</b>		CREATED BY <b>A. PARDO</b>		APPROVED BY D. Jaeger	
PART NAME <b>MAIN PIN</b>		PART CODE 1.2		DOCUMENT TYPE Production	
 <b>OPEN HARDWARE OBSERVATORY</b> Free Blueprints for Sustainable Development		LICENSE <a href="https://creativecommons.org/licenses/by-sa/4.0/">CC-BY-SA 4.0</a>		MATERIAL Steel C45	
		FILE NAME MAIN PIN.ipt		VERSION 1.0	
		SCALE 1:1		QUANTITY 1	
		SHEET 6		DATE 26/10/2020	

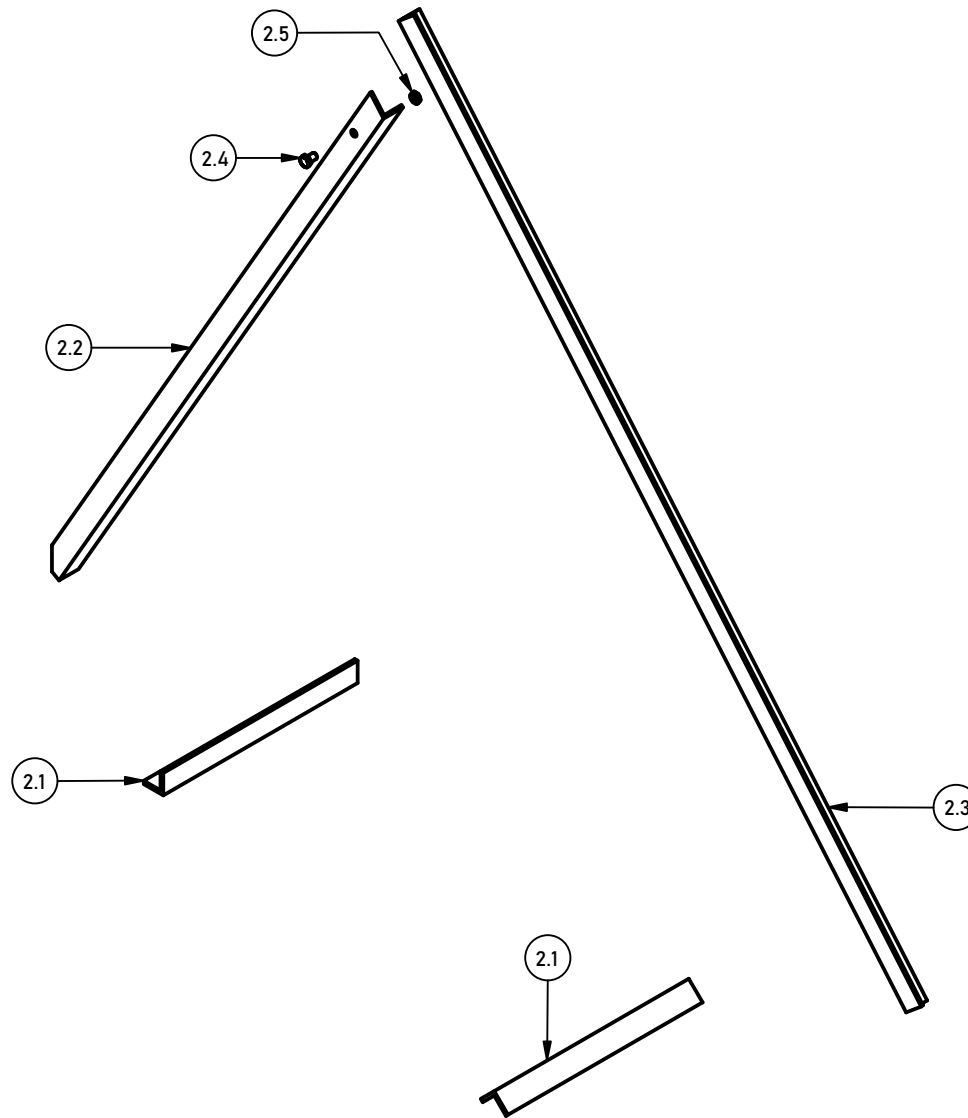



PROJECT <b>PIPE BENDING MACHINE</b>		CREATED BY <b>A. PARDO</b>		APPROVED BY D. Jaeger	
PART NAME <b>STIFFENER</b>		PART CODE 1.3		DOCUMENT TYPE Production	
 <b>OPEN HARDWARE OBSERVATORY</b> Free Blueprints for Sustainable Development		LICENSE <a href="https://creativecommons.org/licenses/by-sa/4.0/">CC-BY-SA 4.0</a>		MATERIAL Steel C45	
		FILE NAME STIFFENER.ipt		VERSION 1.0	QUANTITY 1
		SCALE 1:1.5		SHEET 7	DATE 26/10/2020

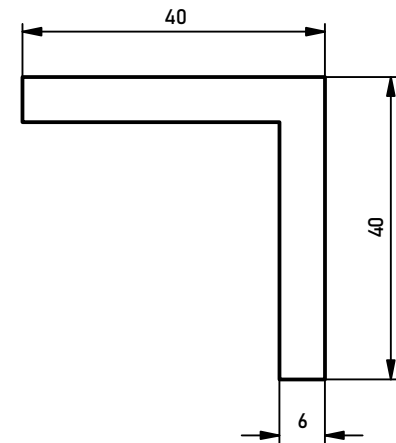
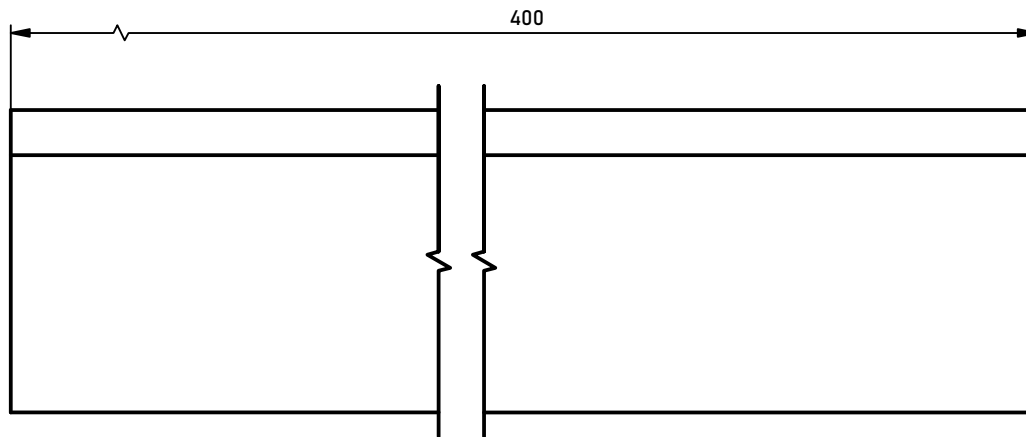
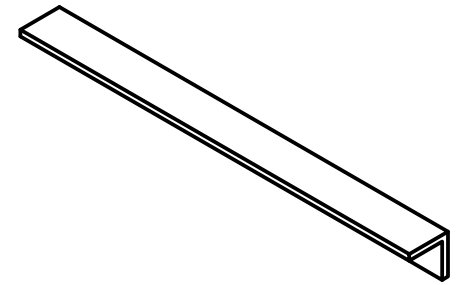



PROJECT <b>PIPE BENDING MACHINE</b>		CREATED BY <b>A. PARDO</b>		APPROVED BY <b>D. Jaeger</b>		
PART NAME <b>FORMER STOP</b>		PART CODE <b>1.4</b>	DOCUMENT TYPE <b>Production</b>		MATERIAL <b>Steel C45</b>	
 <b>OPEN HARDWARE OBSERVATORY</b> Free Blueprints for Sustainable Development		LICENSE <a href="https://creativecommons.org/licenses/by-sa/4.0/">CC-BY-SA 4.0</a>	FILE NAME <b>FORMER STOP.ipt</b>		VERSION <b>1.0</b>	QUANTITY <b>1</b>
			SCALE <b>1:1.5</b>	SHEET <b>8</b>	DATE <b>26/10/2020</b>	

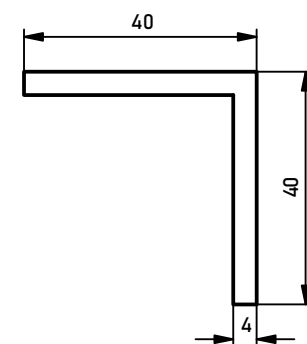
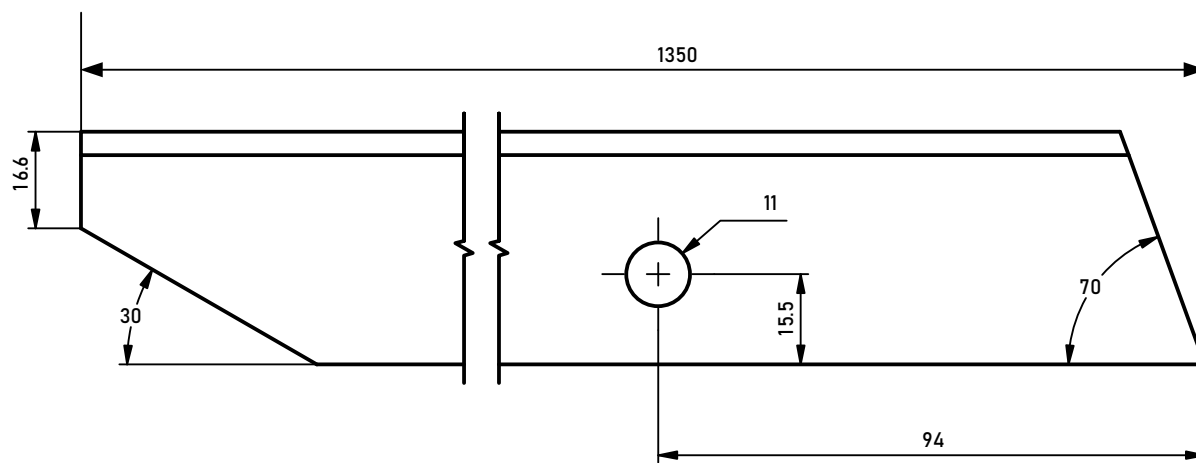
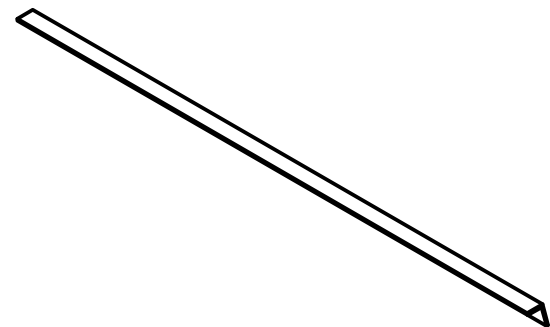





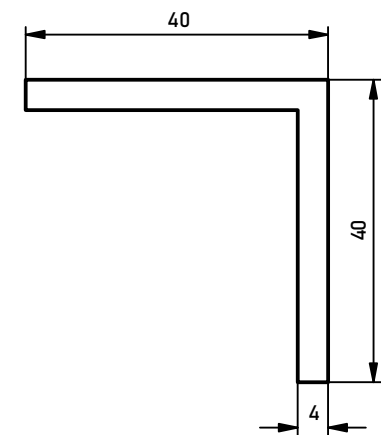
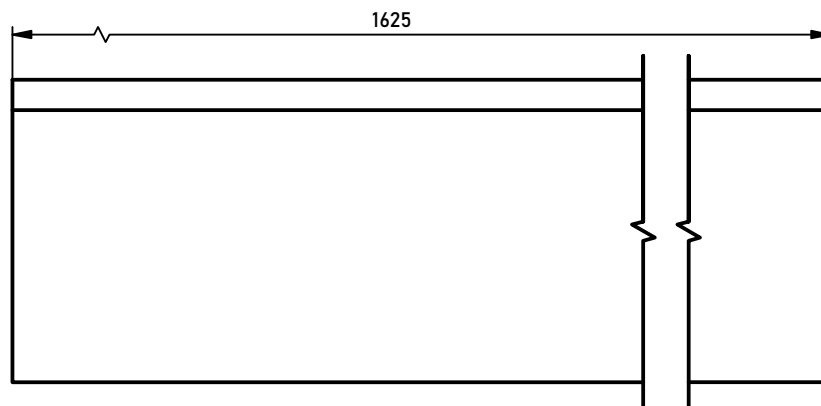
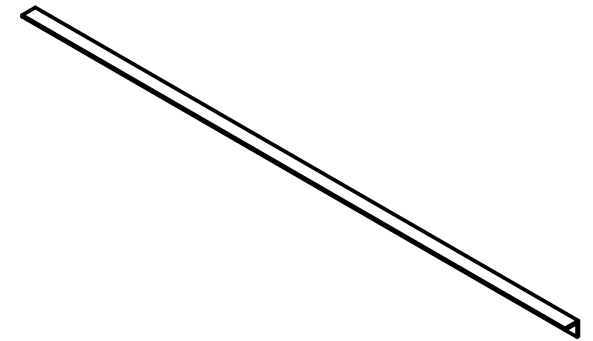
PROJECT <b>PIPE BENDING MACHINE</b>		CREATED BY <b>A. PARDO</b>		APPROVED BY <b>D. Jaeger</b>	
PART NAME <b>SUB-PIPE BENDING MACHINE 2</b>		PART CODE <b>2</b>		DOCUMENT TYPE <b>ASSEMBLY</b>	
 <b>OPEN HARDWARE OBSERVATORY</b> Free Blueprints for Sustainable Development		LICENSE <a href="https://creativecommons.org/licenses/by-sa/4.0/">CC-BY-SA 4.0</a>		FILE NAME SUB-PIPE BENDING MACHINE 2.aml.0	
				VERSION 1.0	
		SCALE 1 / 11		SHEET 9	
				DATE 26/11/2020	




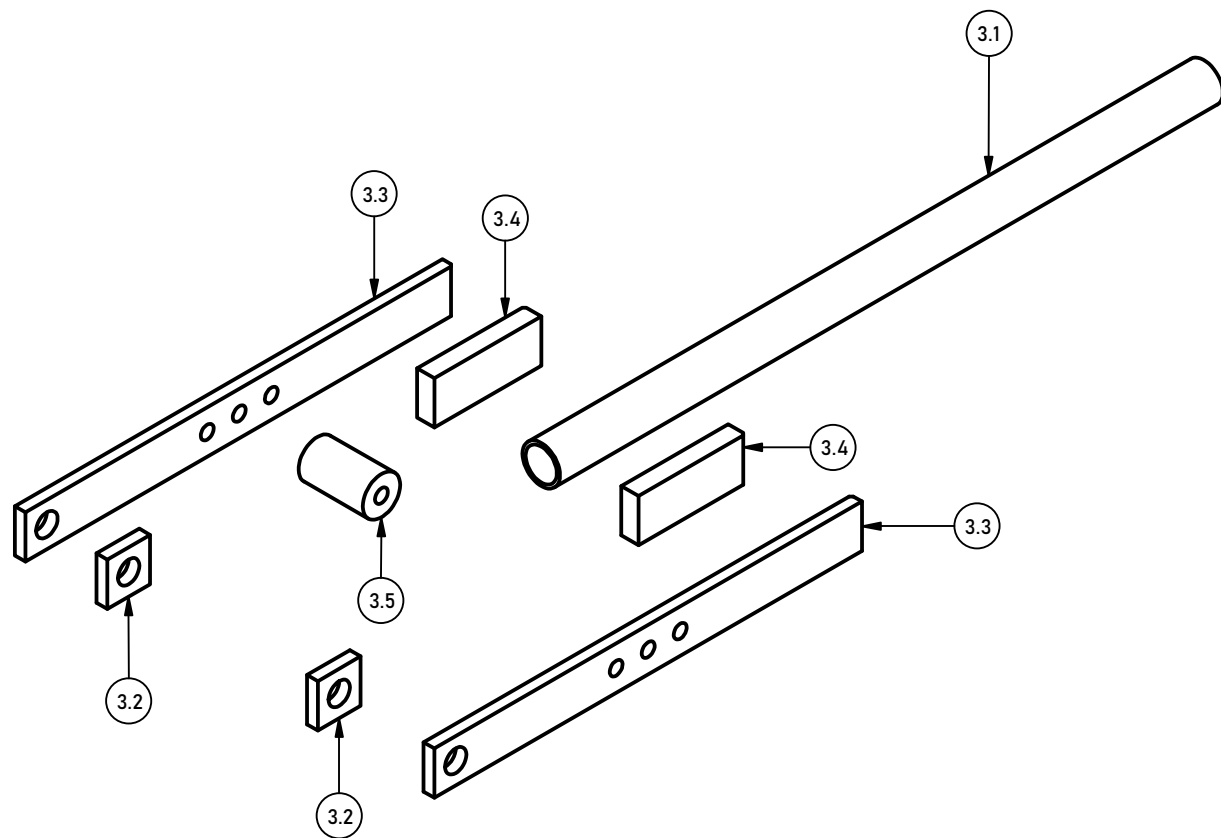
PROJECT <b>PIPE BENDING MACHINE</b>		CREATED BY <b>A. PARDO</b>		APPROVED BY D. Jaeger	
PART NAME FOOT		PART CODE 2.1		DOCUMENT TYPE Production	
 <b>OPEN HARDWARE OBSERVATORY</b> Free Blueprints for Sustainable Development		LICENSE <a href="https://creativecommons.org/licenses/by-sa/4.0/">CC-BY-SA 4.0</a>		MATERIAL Steel A36	
		FILE NAME FOOT.ipt		VERSION 1.0	QUANTITY 1
		SCALE 1:1	SHEET 10	DATE 26/10/2020	




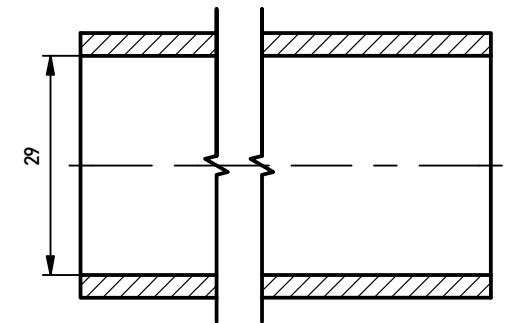
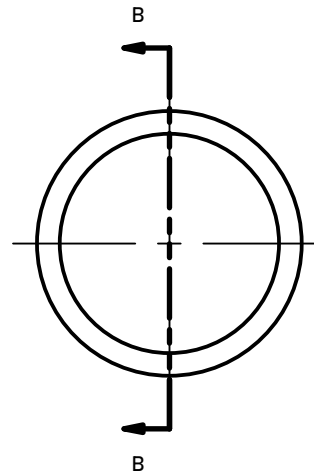
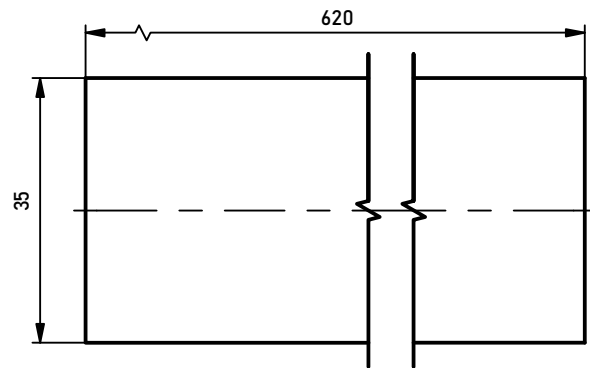
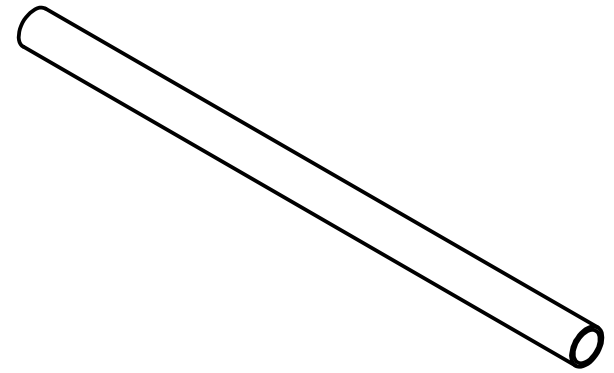
PROJECT <b>PIPE BENDING MACHINE</b>		CREATED BY <b>A. PARDO</b>		APPROVED BY D. Jaeger	
PART NAME SUPPORT LEG		PART CODE 2.2		DOCUMENT TYPE Production	
 <b>OPEN HARDWARE OBSERVATORY</b> Free Blueprints for Sustainable Development		LICENSE <a href="https://creativecommons.org/licenses/by-sa/4.0/">CC-BY-SA 4.0</a>		MATERIAL Steel A36	
		FILE NAME SUPPORT LEG.ipt		VERSION 1.0	QUANTITY 1
		SCALE 1 : 1.3		SHEET 11	DATE 26/10/2020




PROJECT <b>PIPE BENDING MACHINE</b>		CREATED BY <b>A. PARDO</b>		APPROVED BY D. Jaeger		
PART NAME MAIN LEG		PART CODE 2.3	DOCUMENT TYPE Production		MATERIAL Steel A36	
 <b>OPEN HARDWARE OBSERVATORY</b> Free Blueprints for Sustainable Development		LICENSE <a href="https://creativecommons.org/licenses/by-sa/4.0/">CC-BY-SA 4.0</a>	FILE NAME MAIN LEG.ipt		VERSION 1.0	QUANTITY 1
			SCALE 1:1	SHEET 12	DATE 26/10/2020	

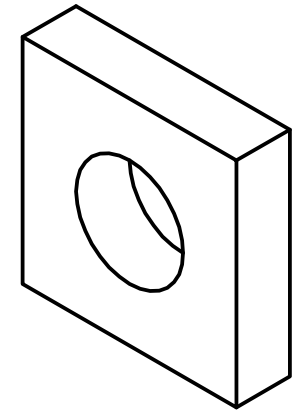
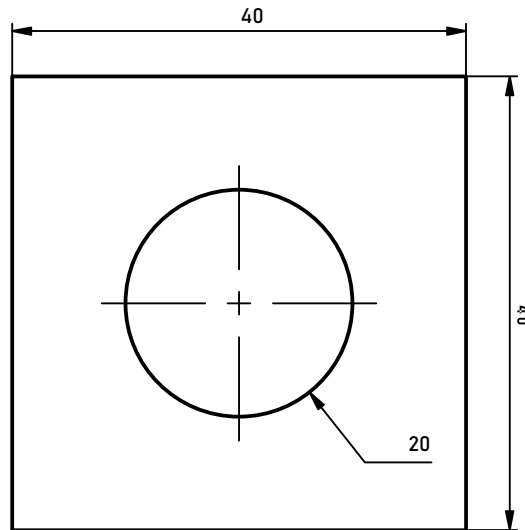



PROJECT <b>PIPE BENDING MACHINE</b>		CREATED BY <b>A. PARDO</b>		APPROVED BY <b>D. Jaeger</b>	
PART NAME <b>SUB-PIPE BENDING MACHINE 3</b>		PART CODE <b>3</b>		DOCUMENT TYPE <b>ASSEMBLY</b>	
 <b>OPEN HARDWARE OBSERVATORY</b> Free Blueprints for Sustainable Development		LICENSE <a href="https://creativecommons.org/licenses/by-sa/4.0/">CC-BY-SA 4.0</a>		MATERIAL	
		FILE NAME SUB-PIPE BENDING MACHINE 3.aml.0		VERSION 1	
		SCALE 1 / 5		SHEET 13	
				DATE 26/11/2020	

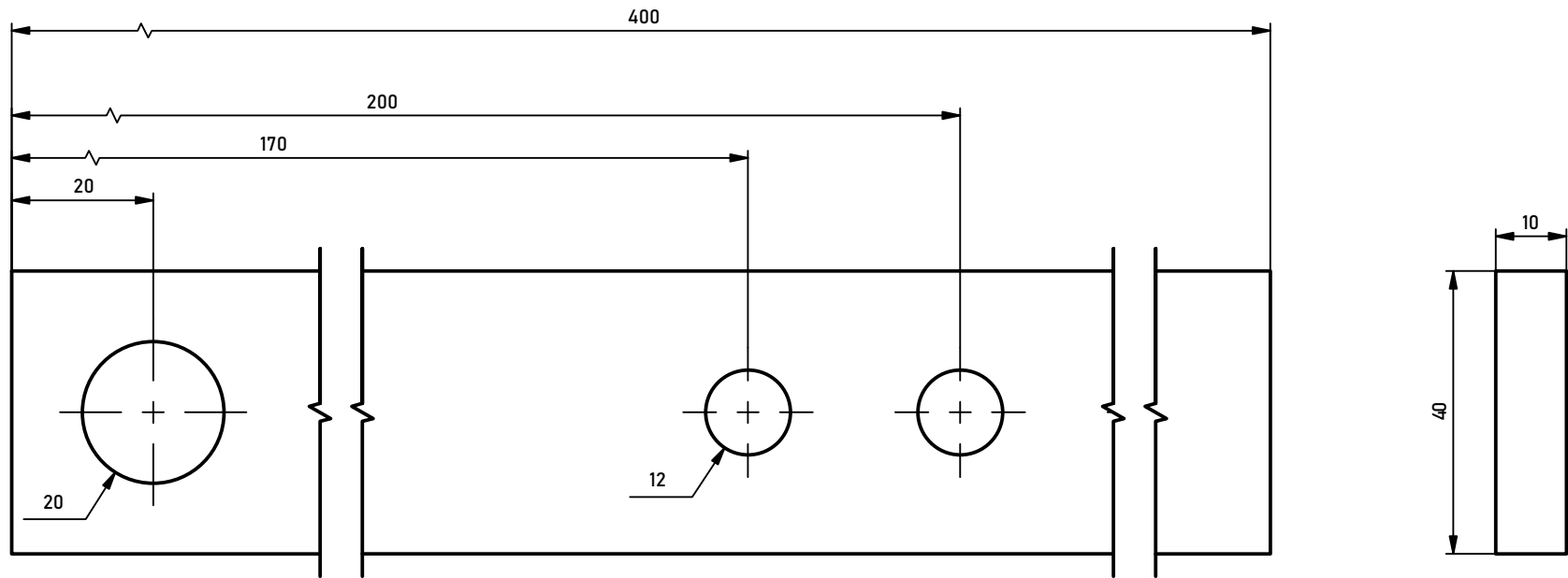
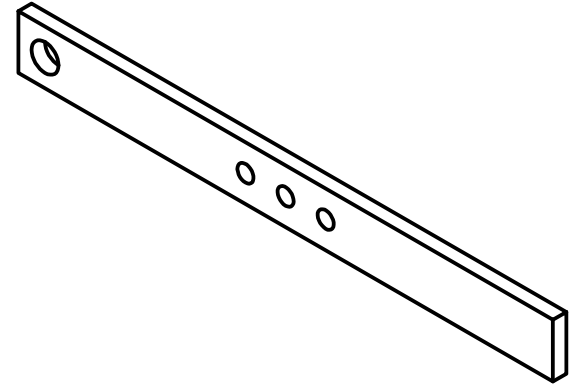



SECTION B-B  
SCALE 1:1

PROJECT <b>PIPE BENDING MACHINE</b>		CREATED BY <b>A. PARDO</b>		APPROVED BY D. Jaeger	
PART NAME <b>HANDLE</b>		PART CODE 3.1		DOCUMENT TYPE Production	
 <b>OPEN HARDWARE OBSERVATORY</b> Free Blueprints for Sustainable Development		LICENSE <a href="https://creativecommons.org/licenses/by-sa/4.0/">CC-BY-SA 4.0</a>		MATERIAL Steel A36	
		FILE NAME HANDLE.ipt		VERSION 1.0	QUANTITY 1
		SCALE 1:1	SHEET 14	DATE 26/10/2020	

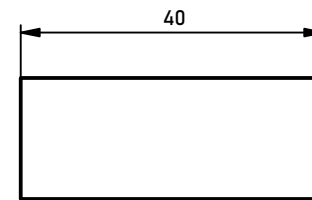
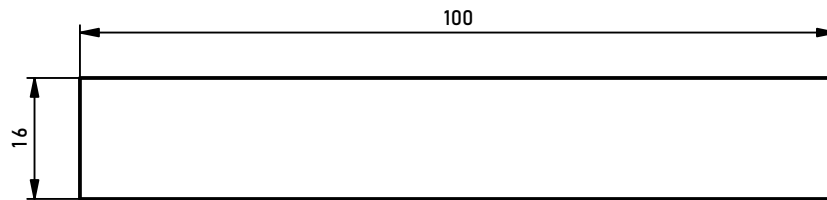
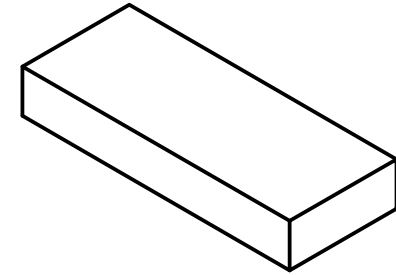



PROJECT <b>PIPE BENDING MACHINE</b>		CREATED BY <b>A. PARDO</b>		APPROVED BY D. Jaeger	
PART NAME FORMER SPACER		PART CODE 3.2		DOCUMENT TYPE Production	
 <b>OPEN HARDWARE OBSERVATORY</b> Free Blueprints for Sustainable Development		LICENSE <a href="https://creativecommons.org/licenses/by-sa/4.0/">CC-BY-SA 4.0</a>		MATERIAL Steel C45	
		FILE NAME FORMER SPACER.ipt		VERSION 1.0	QUANTITY 1
		SCALE 1.5 : 1	SHEET 15	DATE 26/10/2020	

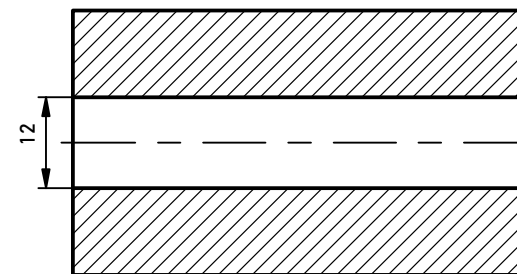
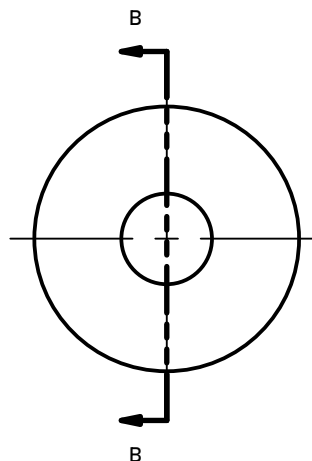
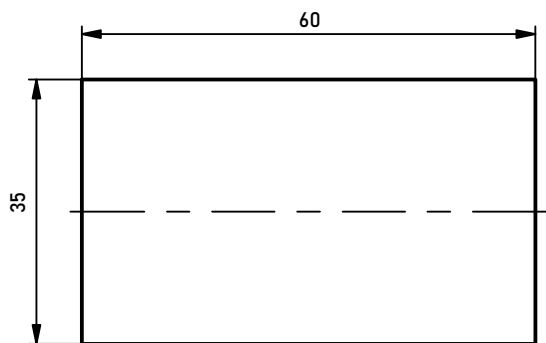
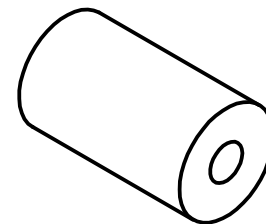


PROJECT <b>PIPE BENDING MACHINE</b>		CREATED BY <b>A. PARDO</b>		APPROVED BY D. Jaeger	
PART NAME <b>HANDLE ARM</b>		PART CODE 3.3	DOCUMENT TYPE Production		MATERIAL Steel C45
 <b>OPEN HARDWARE OBSERVATORY</b> Free Blueprints for Sustainable Development		LICENSE <a href="https://creativecommons.org/licenses/by-sa/4.0/">CC-BY-SA 4.0</a>	FILE NAME HANDLE ARM.ipt		VERSION 1.0
			SCALE 1:1	SHEET 16	QUANTITY 1
				DATE 26/10/2020	




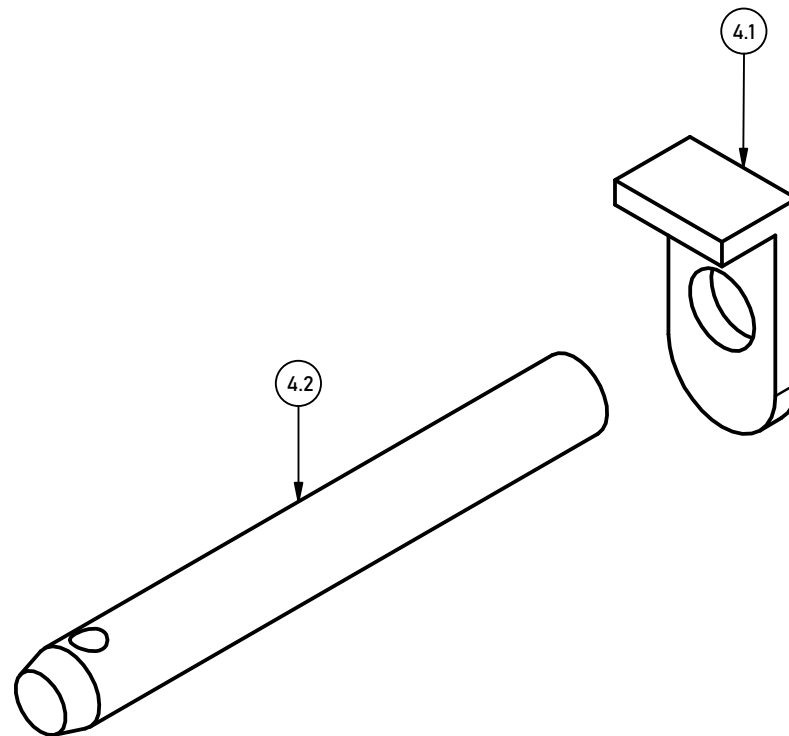



PROJECT <b>PIPE BENDING MACHINE</b>		CREATED BY <b>A. PARDO</b>		APPROVED BY D. Jaeger	
PART NAME HANDLE SPACER		PART CODE 3.4		DOCUMENT TYPE Production	
 <b>OPEN HARDWARE OBSERVATORY</b> Free Blueprints for Sustainable Development		LICENSE <a href="https://creativecommons.org/licenses/by-sa/4.0/">CC-BY-SA 4.0</a>		MATERIAL Steek C45	
		FILE NAME HANDLE SPACER.ipt		VERSION 1.0	QUANTITY 1
		SCALE 1:1		SHEET 17	DATE 26/10/2020

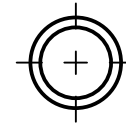
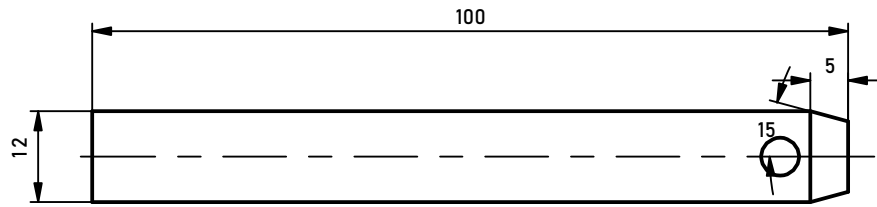
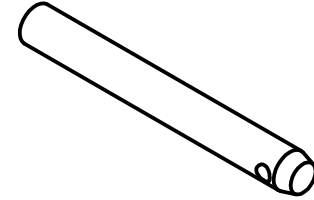



SECTION B-B  
SCALE 1:1

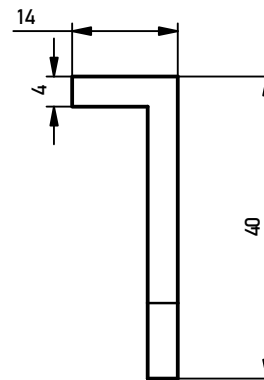
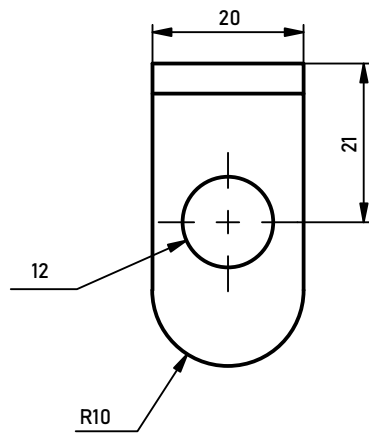
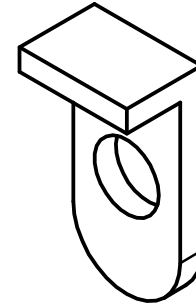
PROJECT <b>PIPE BENDING MACHINE</b>		CREATED BY <b>A. PARDO</b>		APPROVED BY D. Jaeger	
PART NAME ROLLER		PART CODE 3.5		DOCUMENT TYPE Production	
 <b>OPEN HARDWARE OBSERVATORY</b> Free Blueprints for Sustainable Development		LICENSE <a href="https://creativecommons.org/licenses/by-sa/4.0/">CC-BY-SA 4.0</a>		MATERIAL Steel C45	
		FILE NAME ROLLER.ipt		VERSION 1.0	QUANTITY 1
		SCALE 1:1	SHEET 18	DATE 26/10/2020	




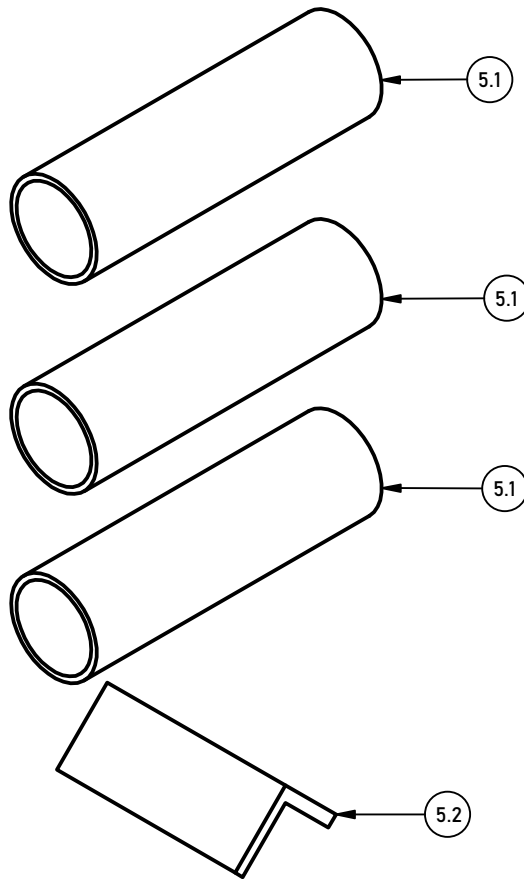
PROJECT <b>PIPE BENDING MACHINE</b>		CREATED BY <b>A. PARDO</b>		APPROVED BY <b>D. Jaeger</b>	
PART NAME <b>SUB-PIPE BENDING MACHINE 4</b>		PART CODE <b>4</b>		DOCUMENT TYPE <b>ASSEMBLY</b>	
 <b>OPEN HARDWARE OBSERVATORY</b> Free Blueprints for Sustainable Development		LICENSE <a href="https://creativecommons.org/licenses/by-sa/4.0/">CC-BY-SA 4.0</a>		MATERIAL	
		FILE NAME SUB-PIPE BENDING MACHINE 4.am1.0		VERSION 1	
		SCALE 1:1		SHEET 19	
				DATE 26/11/2020	




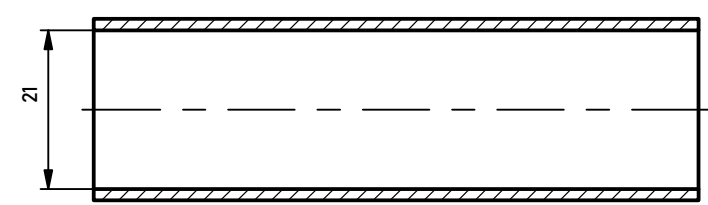
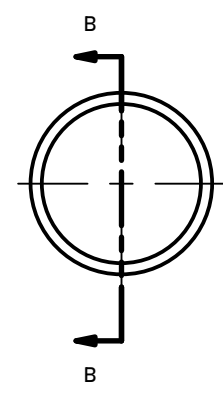
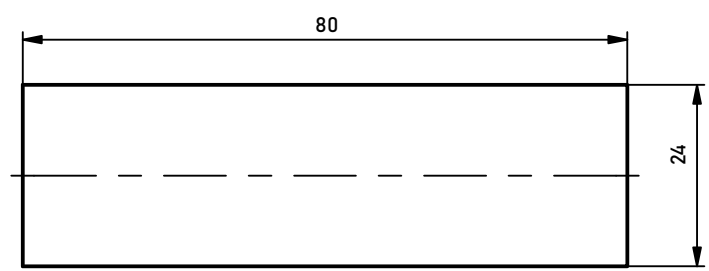
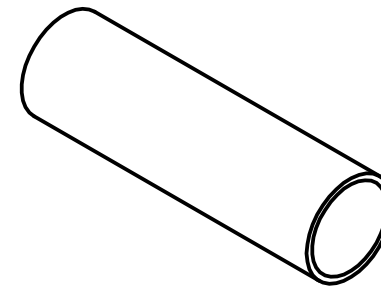
PROJECT <b>PIPE BENDING MACHINE</b>		CREATED BY <b>A. PARDO</b>		APPROVED BY D. Jaeger	
PART NAME ROLLER PIN		PART CODE 4.1		DOCUMENT TYPE Production	
 <b>OPEN HARDWARE OBSERVATORY</b> Free Blueprints for Sustainable Development		LICENSE <a href="https://creativecommons.org/licenses/by-sa/4.0/">CC-BY-SA 4.0</a>		MATERIAL Steel C45	
		FILE NAME ROLLER PIN.ipt		VERSION 1.0	QUANTITY 1
		SCALE 1:1		SHEET 20	DATE 26/10/2020




PROJECT <b>PIPE BENDING MACHINE</b>		CREATED BY <b>A. PARDO</b>		APPROVED BY D. Jaeger	
PART NAME PIN HANDLE		PART CODE 4.2		DOCUMENT TYPE Production	
 <b>OPEN HARDWARE OBSERVATORY</b> Free Blueprints for Sustainable Development		LICENSE <a href="https://creativecommons.org/licenses/by-sa/4.0/">CC-BY-SA 4.0</a>		MATERIAL Steel C45	
		FILE NAME PIN_HANDLE.ipt		VERSION 1.0	QUANTITY 1
		SCALE 1:1		SHEET 21	DATE 26/10/2020

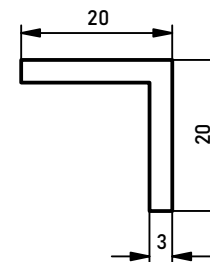
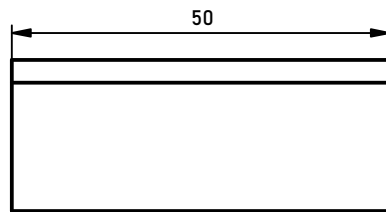
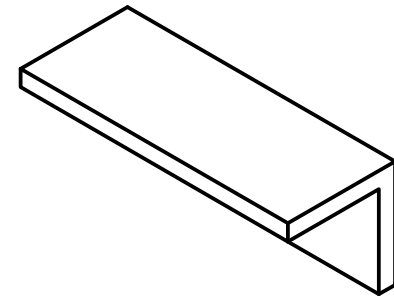



PROJECT <b>PIPE BENDING MACHIN</b>		CREATED BY <b>A. PARDO</b>		APPROVED BY D. Jaeger	
PART NAME SUB-PIPE BENDING MACHINE 5		PART CODE 5		DOCUMENT TYPE ASSEMBLY	
 <b>OPEN HARDWARE OBSERVATORY</b> Free Blueprints for Sustainable Development		LICENSE <a href="https://creativecommons.org/licenses/by-sa/4.0/">CC-BY-SA 4.0</a>		FILE NAME SUB-PIPE BENDING MACHINE 5.aml.0	
				SCALE 1 / 1.5	SHEET 22
				DATE 26/11/2020	



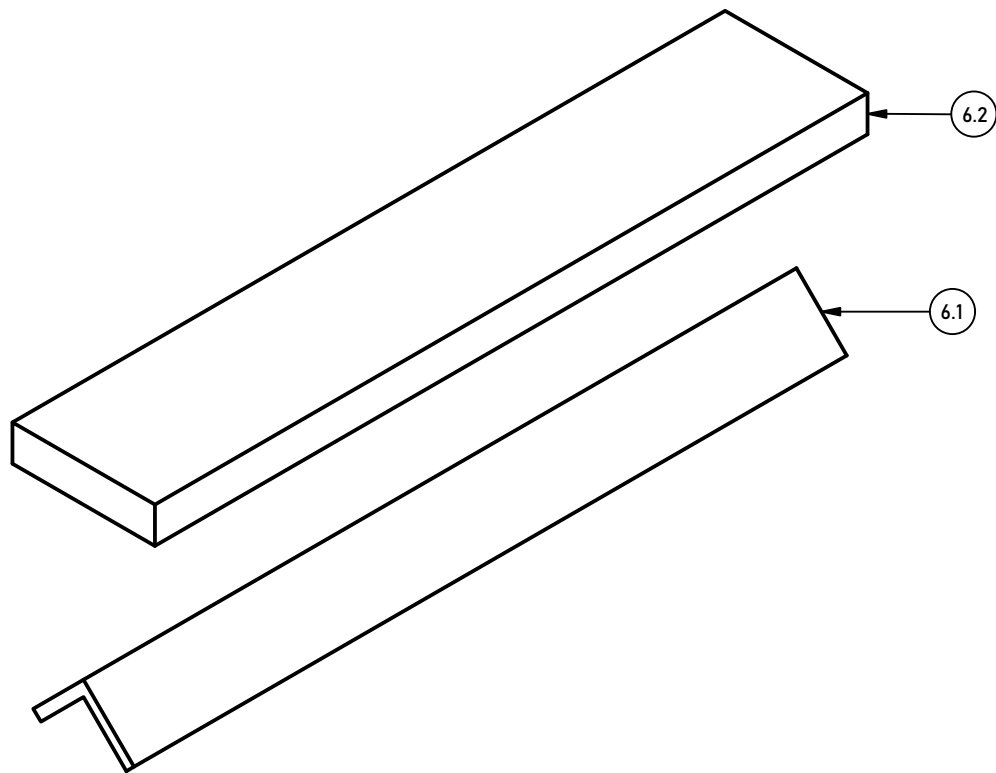
SECTION B-B  
SCALE 1:1


PROJECT <b>PIPE BENDING MACHINE</b>		CREATED BY <b>A. PARDO</b>		APPROVED BY D. Jaeger	
PART NAME <b>STOP TUBE</b>		PART CODE 5.1		DOCUMENT TYPE Production	
 <b>OPEN HARDWARE OBSERVATORY</b> Free Blueprints for Sustainable Development		LICENSE <a href="https://creativecommons.org/licenses/by-sa/4.0/">CC-BY-SA 4.0</a>		MATERIAL Steel A36	
		FILE NAME STOP TUBE.ipt		VERSION 1.0	QUANTITY 1
		SCALE 1:1		SHEET 23	DATE 26/10/2020

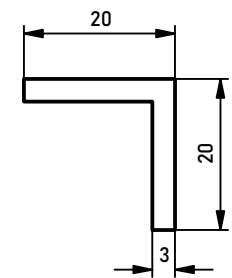
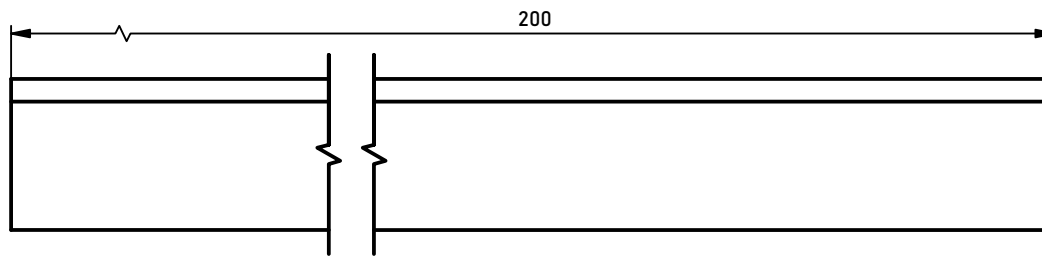
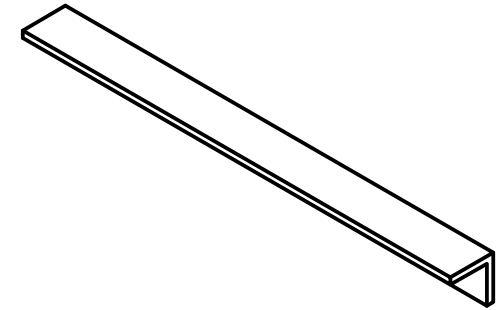



PROJECT <b>PIPE BENDING MACHINE</b>		CREATED BY <b>A. PARDO</b>		APPROVED BY D. Jaeger	
PART NAME STOP ANGLE		PART CODE 5.2		DOCUMENT TYPE Production	
 <b>OPEN HARDWARE OBSERVATORY</b> Free Blueprints for Sustainable Development		LICENSE <a href="https://creativecommons.org/licenses/by-sa/4.0/">CC-BY-SA 4.0</a>		MATERIAL Steel A36	
		FILE NAME STOP ANGLE.ipt		VERSION 1.0	QUANTITY 1
		SCALE 1:1		SHEET 24	DATE 26/10/2020

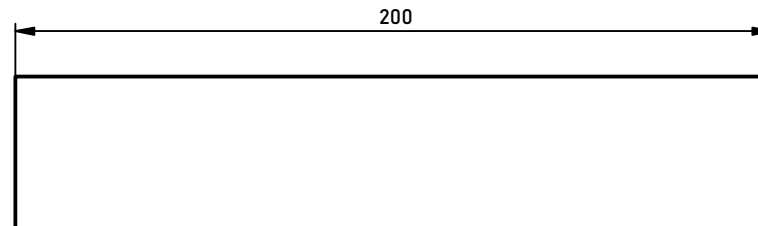
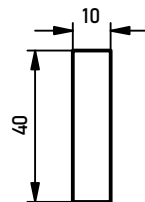
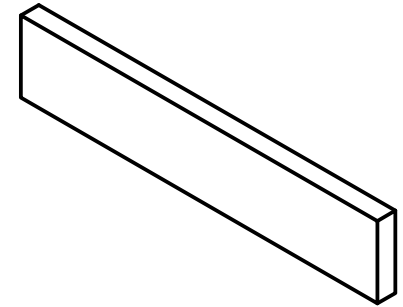





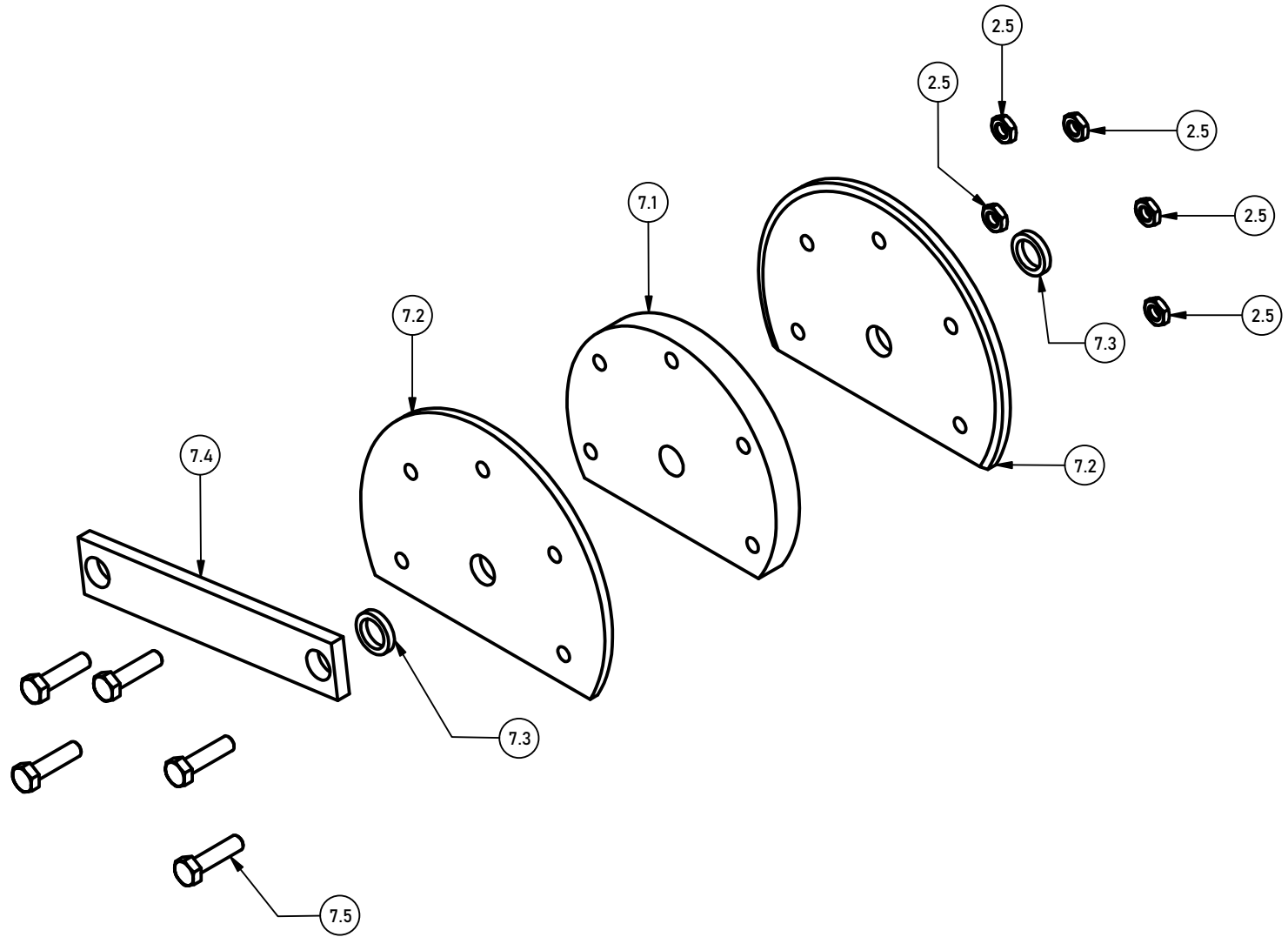
PROJECT <b>PIPE BENDING MACHINE</b>		CREATED BY <b>A. PARDO</b>		APPROVED BY <b>D. Jaeger</b>	
PART NAME <b>SUB-PIPE BENDING MACHINE 6</b>		PART CODE <b>6</b>		DOCUMENT TYPE <b>ASSEMBLY</b>	
 <b>OPEN HARDWARE OBSERVATORY</b> Free Blueprints for Sustainable Development		LICENSE <a href="https://creativecommons.org/licenses/by-sa/4.0/">CC-BY-SA 4.0</a>		FILE NAME SUB-PIPE BENDING MACHINE 6.aml.0	
				VERSION 1.0	QUANTITY 1
		SCALE 1 / 1.5	SHEET 25	DATE 26/11/2020	




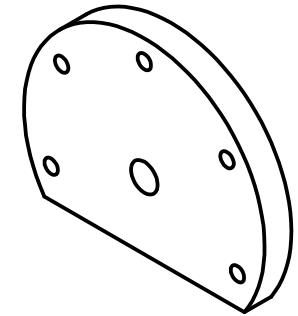
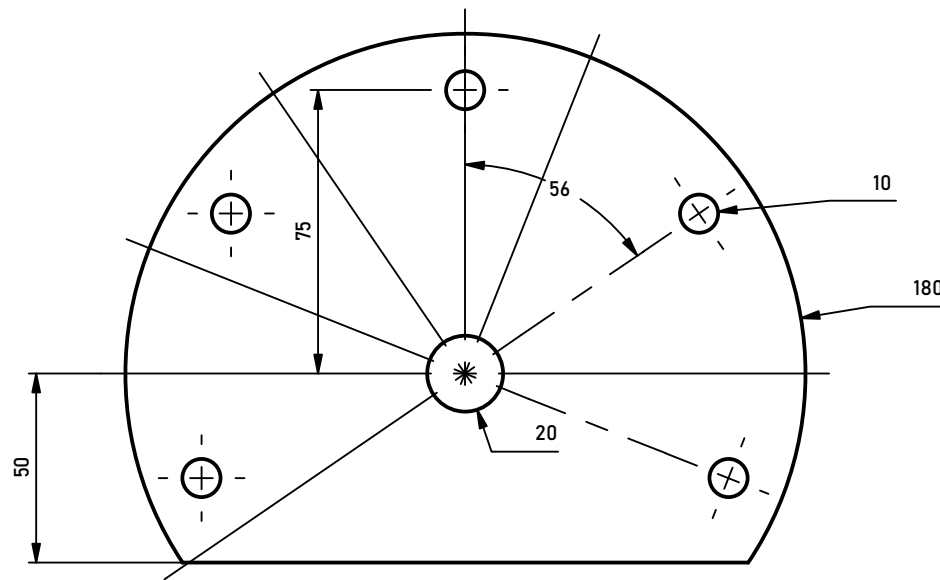
PROJECT <b>PIPE BENDING MACHINE</b>		CREATED BY <b>A. PARDO</b>		APPROVED BY D. Jaeger	
PART NAME GUIDE ANGLE		PART CODE 6.1	DOCUMENT TYPE Production		MATERIAL Steel A36
 <b>OPEN HARDWARE OBSERVATORY</b> Free Blueprints for Sustainable Development		LICENSE <a href="https://creativecommons.org/licenses/by-sa/4.0/">CC-BY-SA 4.0</a>	FILE NAME GUIDE ANGLE.ipt	VERSION 1.0	QUANTITY 1
			SCALE 1:1	SHEET 26	DATE 26/10/2020




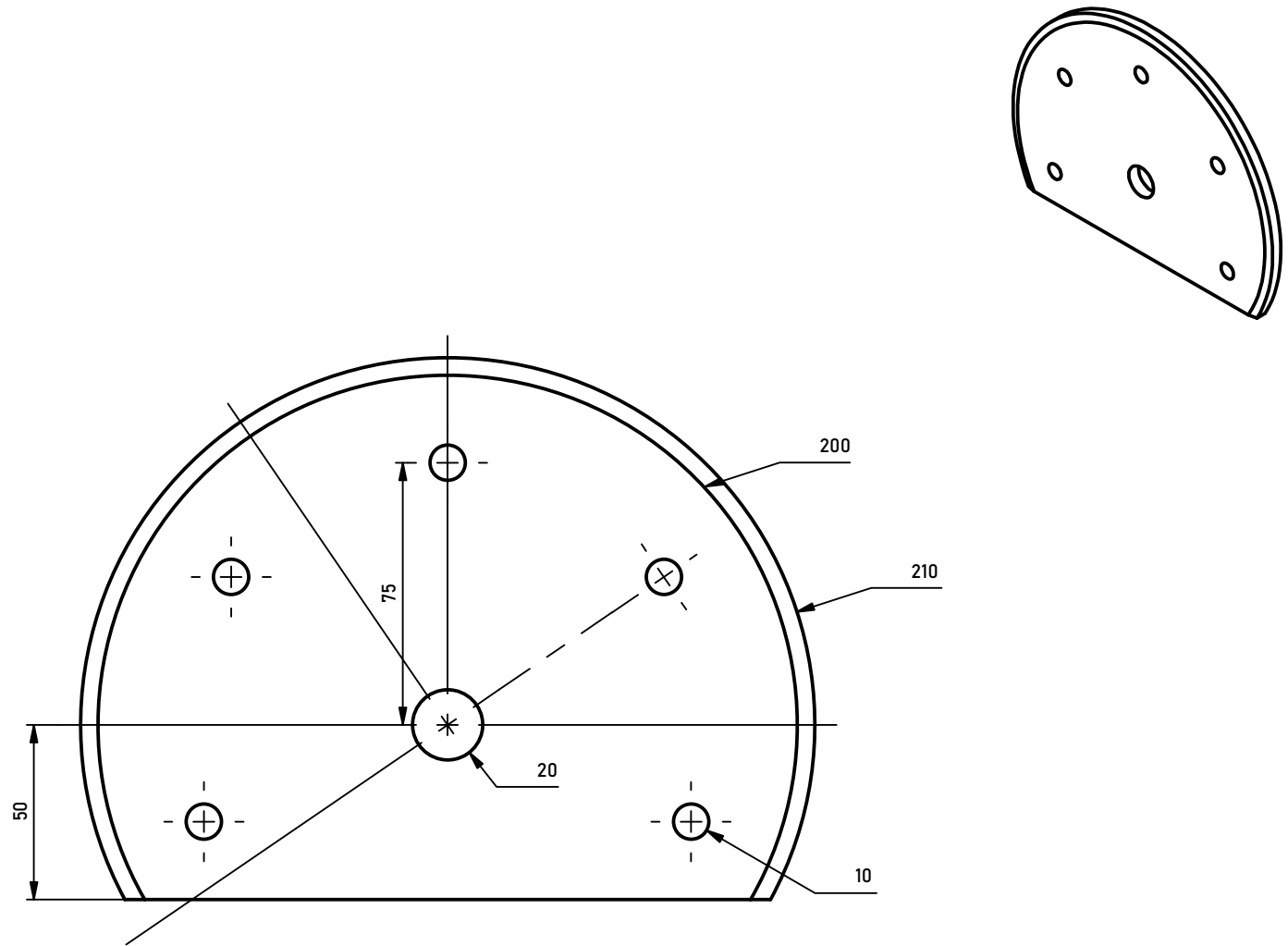
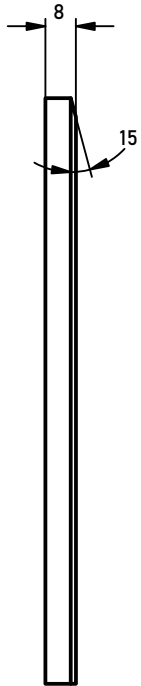
PROJECT <b>PIPE BENDING MACHINE</b>		CREATED BY <b>A. PARDO</b>		APPROVED BY D. Jaeger	
PART NAME GUIDE BASE		PART CODE 6.2		DOCUMENT TYPE Production	
 <b>OPEN HARDWARE OBSERVATORY</b> Free Blueprints for Sustainable Development		LICENSE <a href="https://creativecommons.org/licenses/by-sa/4.0/">CC-BY-SA 4.0</a>		MATERIAL Steel C45	
		FILE NAME GUIDE BASE.ipt		VERSION 1.0	QUANTITY 1
		SCALE 1 / 2		SHEET 27	DATE 26/10/2020




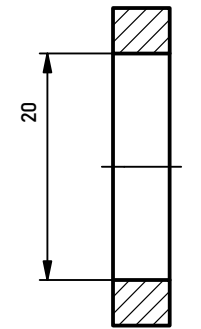
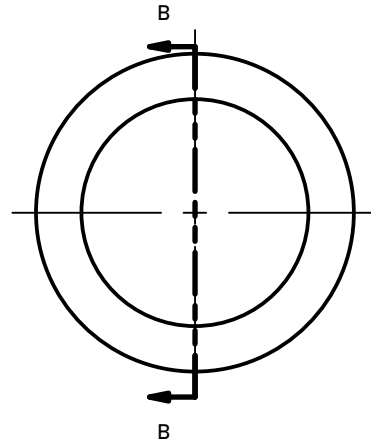
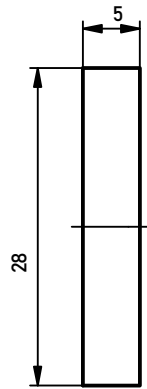
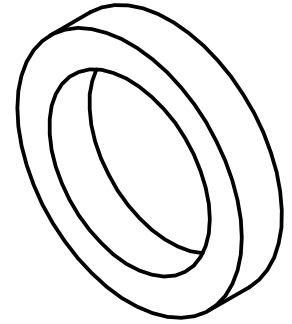
PROJECT <b>PIPE BENDING MACHINE</b>		CREATED BY A. PARDO		APPROVED BY D. Jaeger	
PART NAME SUB-PIPE BENDING MACHINE 7		PART CODE 7		DOCUMENT TYPE ASSEMBLY	
 <b>OPEN HARDWARE OBSERVATORY</b> Free Blueprints for Sustainable Development		LICENSE <a href="https://creativecommons.org/licenses/by-sa/4.0/">CC-BY-SA 4.0</a>		FILE NAME SUB-PIPE BENDING MACHINE 7.aml.0	
		SCALE 1 / 4		VERSION 28	
				DATE 26/11/2020	




PROJECT <b>PIPE BENDING MACHINE</b>		CREATED BY <b>A. PARDO</b>		APPROVED BY D. Jaeger	
PART NAME <b>FORMER SIDE</b>		PART CODE 7.1		DOCUMENT TYPE Production	
 <b>OPEN HARDWARE OBSERVATORY</b> Free Blueprints for Sustainable Development		LICENSE <a href="https://creativecommons.org/licenses/by-sa/4.0/">CC-BY-SA 4.0</a>		MATERIAL Steel C45	
		FILE NAME FORMER BASE.ipt		VERSION 1.0	QUANTITY 1
		SCALE 1 / 2		SHEET 29	DATE 26/10/2020

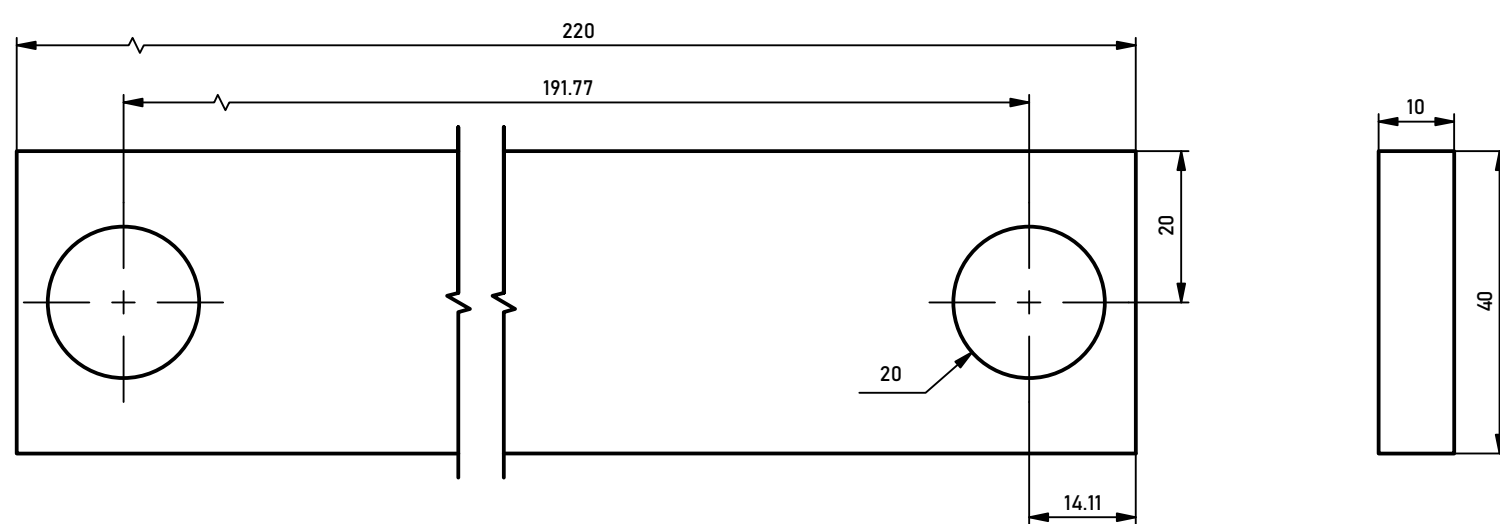
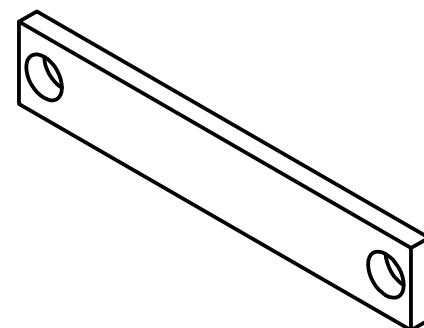



PROJECT <b>PIPE BENDING MACHINE</b>		CREATED BY <b>A. PARDO</b>		APPROVED BY <b>D. Jaeger</b>	
PART NAME <b>FORMER SIDE</b>		PART CODE <b>7.2</b>		DOCUMENT TYPE <b>Production</b>	
 <b>OPEN HARDWARE OBSERVATORY</b> Free Blueprints for Sustainable Development		LICENSE <a href="https://creativecommons.org/licenses/by-sa/4.0/">CC-BY-SA 4.0</a>		MATERIAL <b>Steel C45</b>	
		FILE NAME <b>FORMER SIDE.ipt</b>		VERSION <b>1.0</b>	
		SCALE <b>1 / 2</b>		QUANTITY <b>2</b>	
		SHEET <b>30</b>		DATE <b>26/10/2020</b>	



SECTION B-B  
SCALE 1.5:1

PROJECT <b>PIPE BENDING MACHINE</b>		CREATED BY <b>A. PARDO</b>		APPROVED BY D. Jaeger	
PART NAME SPACER TUBE		PART CODE 7.3		DOCUMENT TYPE Production	
 <b>OPEN HARDWARE OBSERVATORY</b> Free Blueprints for Sustainable Development		LICENSE <a href="https://creativecommons.org/licenses/by-sa/4.0/">CC-BY-SA 4.0</a>		MATERIAL Steel C45	
		FILE NAME SPACER TUBE.ipt		VERSION 1.0	QUANTITY 1
		SCALE 1.5:1		SHEET 31	DATE 26/10/2020



PROJECT <b>PIPE BENDING MACHINE</b>		CREATED BY <b>A. PARDO</b>		APPROVED BY D. Jaeger	
PART NAME PIN LINK		PART CODE 7.4		DOCUMENT TYPE Production	
 <b>OPEN HARDWARE OBSERVATORY</b> Free Blueprints for Sustainable Development		LICENSE <a href="https://creativecommons.org/licenses/by-sa/4.0/">CC-BY-SA 4.0</a>		MATERIAL Steel C45	
		FILE NAME PIN LINK.ipt		VERSION 1.0	QUANTITY 1
		SCALE 1:1	SHEET 32	DATE 26/10/2020	