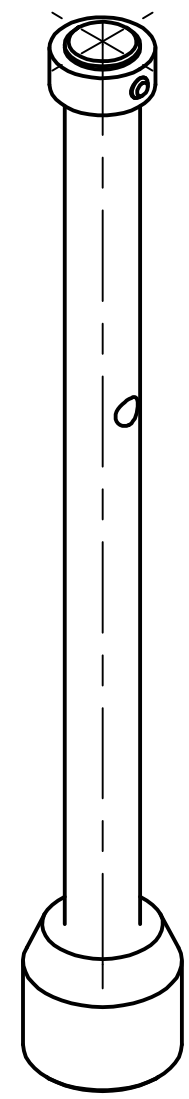
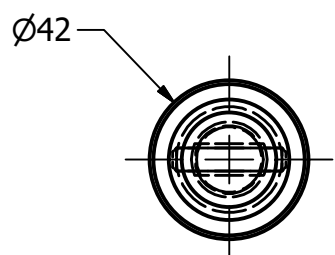
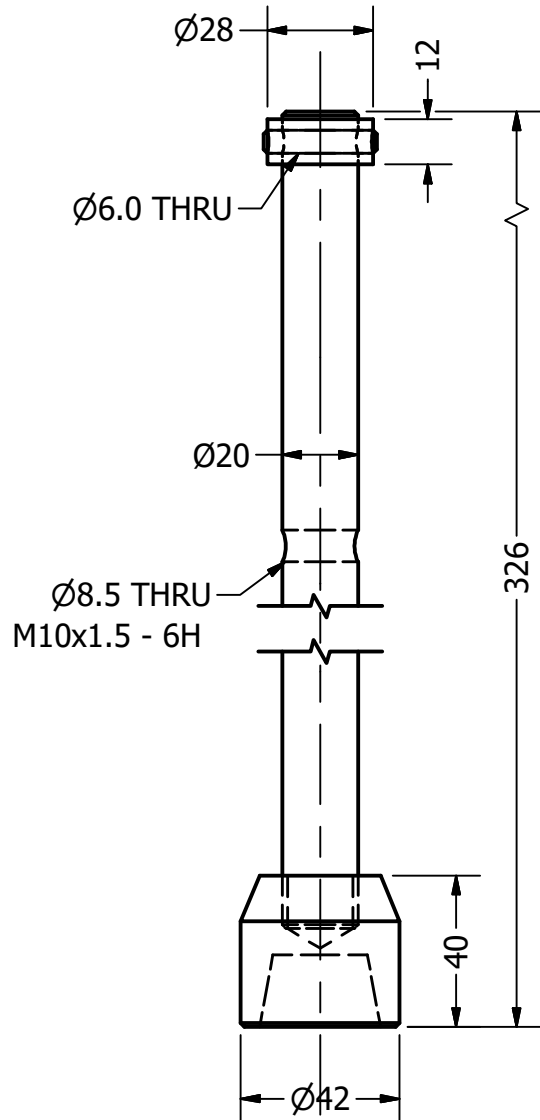


4

3

2

1




B

B

A

A

Project Crown cap machine		Created by D. Mosquera	Approved by D. Jeager		
Part Name Shaft-for-caps		Part Code 2	Document Type ASSEMBLY	Material	
Redesigned by 	Original drawing from Practical ACTION	License CERN-OHL	File Name oseg_ccm_2_shaft-for-caps.iam	Version 1.0	Quantity
			Scale 1:2	Sheet 12	Date 16.11.20

4

3

2

1

4

3

2

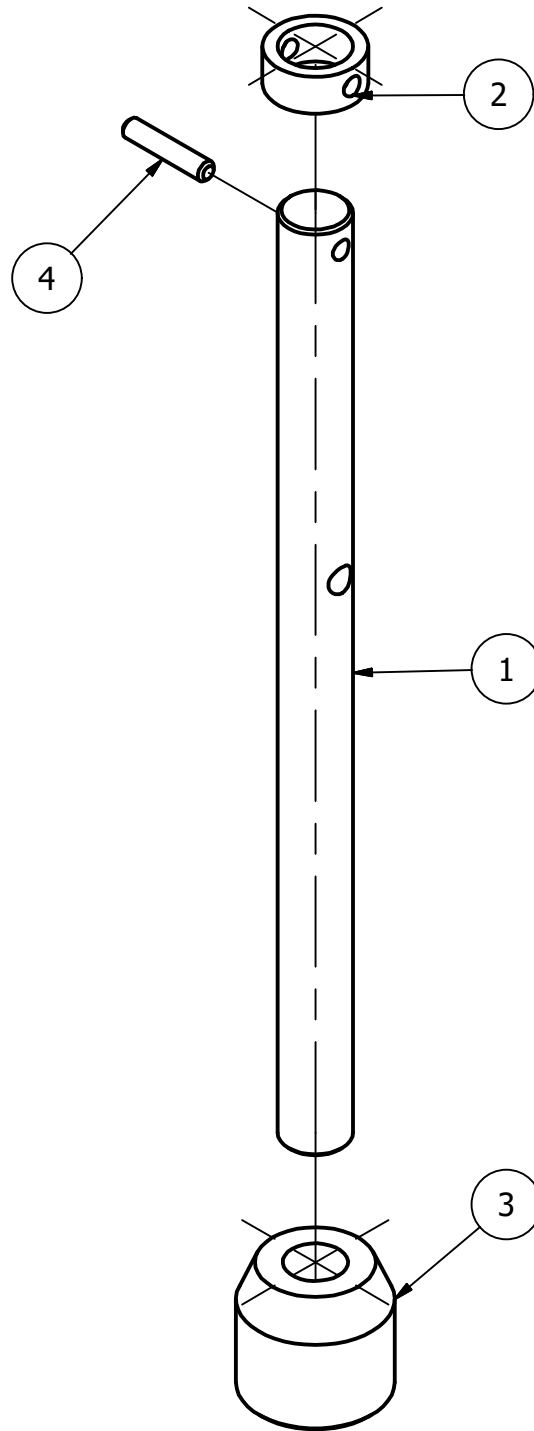
1


B

B

A

A



Project Crown cap machine		Created by D. Mosquera		Approved by D. Jeager	
Part Name Shaft-for-caps		Part Code 2		Document Type ASSEMBLY	
Redesigned by 		Original drawing from Practical ACTION		License CERN-OHL	
				File Name oseg_ccm_2_shaft-for-caps.iam	
				Version 1.0	
				Quantity	
				Scale 1:2	
				Sheet 13	
				Date 16.11.20	

4

3

2

1

