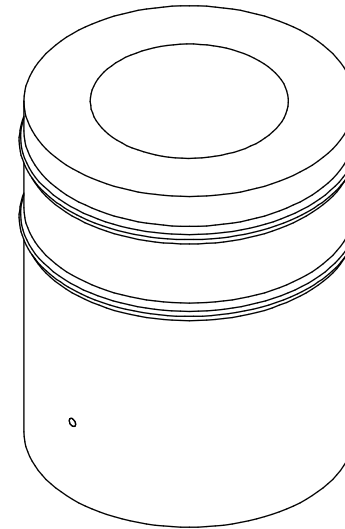
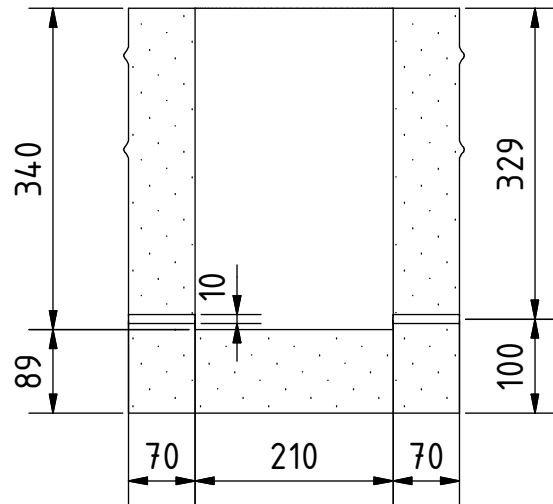
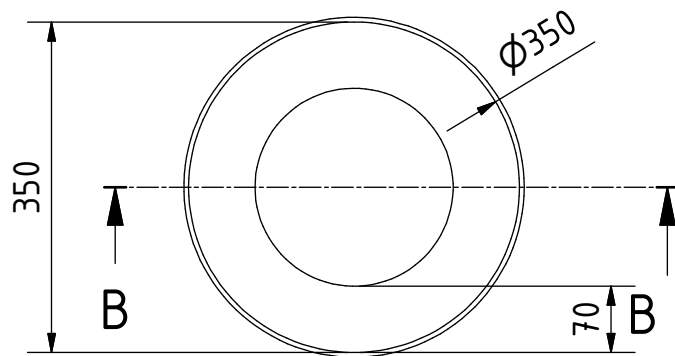


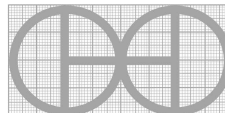
B-B (1 : 8)



PLAN (1 : 8)



Note: All units in mm.

PROJECT	CREATED BY	APPROVED BY	DATE	VERSION
Smelting Furnace	J. Zeron	A. Morillo	01/08/2021	1.0
PART NAME	FILE NAME			POS
Refractory lining	Refractory lining.ipt			1.2
DEVELOPED BY	REDESIGNED BY	DOC. TYPE	MATERIAL	QUANTITY
		Part	Fire brick and refractory cement	1
Popular Mechanics No. 297	OHO e.V.	LICENCE	SCALE	SHEET
		CC-BY-SA 4.0	1:8	8 /16