
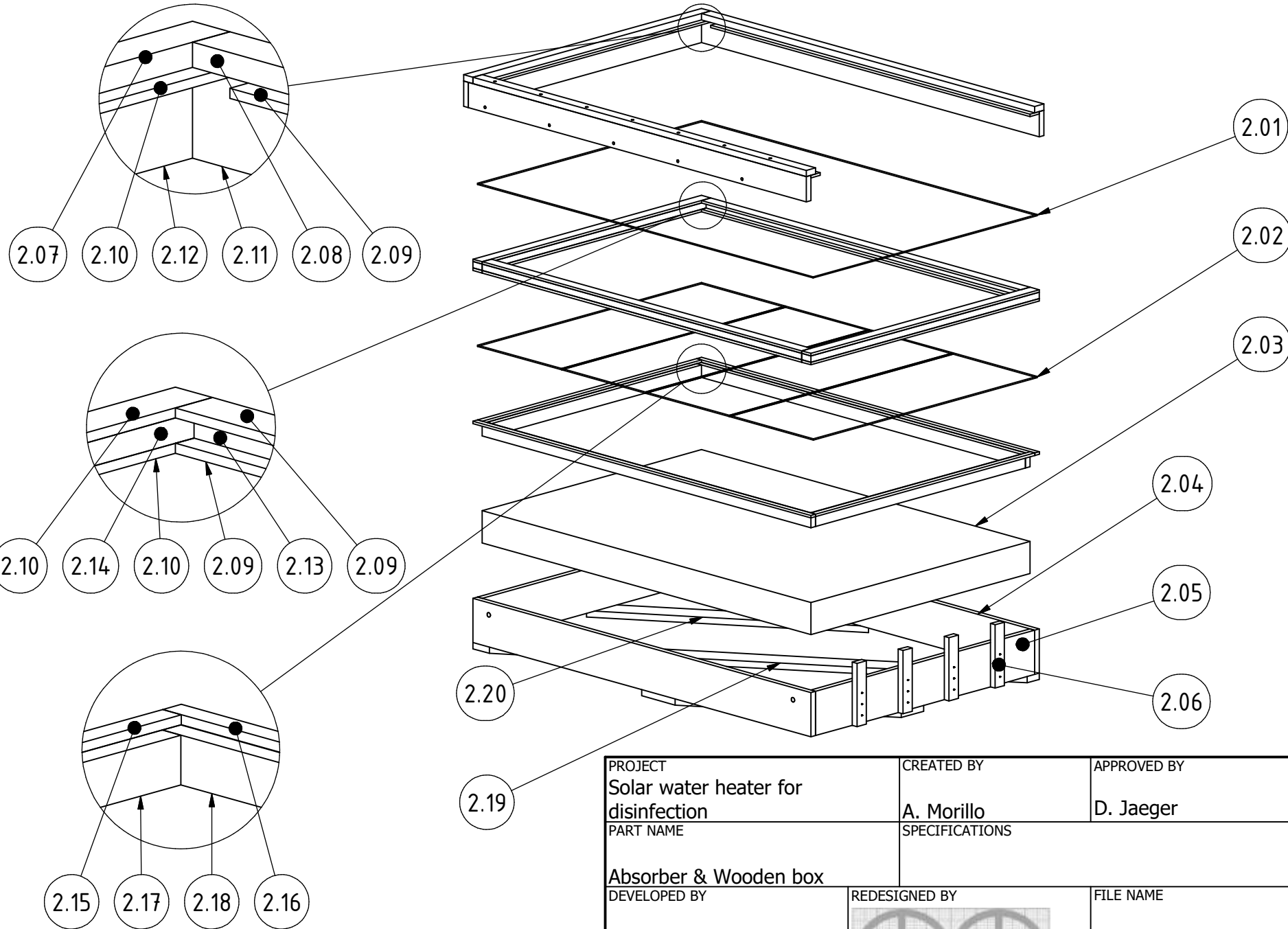



Joined with 2" and 3" nails and 2" wood screw (pre-drilled)

PROJECT Solar water heater for disinfection	CREATED BY A. Morillo	APPROVED BY D. Jaeger	DATE 22-05-2023	VERSION 0.01
PART NAME Absorber & Wooden box	SPECIFICATIONS			CODE 2.00
DEVELOPED BY IOG - Engineers Without Borders	REDESIGNED BY 	FILE NAME 6.0_Halter.iam	QUANTITY 1	
		LICENSE CC-BY-SA 4.0	DOC. TYPE Assembly	SCALE SHEET 16 /24



PROJECT Solar water heater for disinfection		CREATED BY A. Morillo	APPROVED BY D. Jaeger	DATE 22-05-2023	VERSION 0.01
PART NAME Absorber & Wooden box		SPECIFICATIONS			CODE 2.00
DEVELOPED BY		REDESIGNED BY	FILE NAME 6.0_Halter.ipn		QUANTITY 1
IOG - Engineers Without Borders			OHO e.V.	LICENSE CC-BY-SA 4.0	DOC. TYPE Assembly
			SCALE 1 : 20	SHEET 17 / 24	