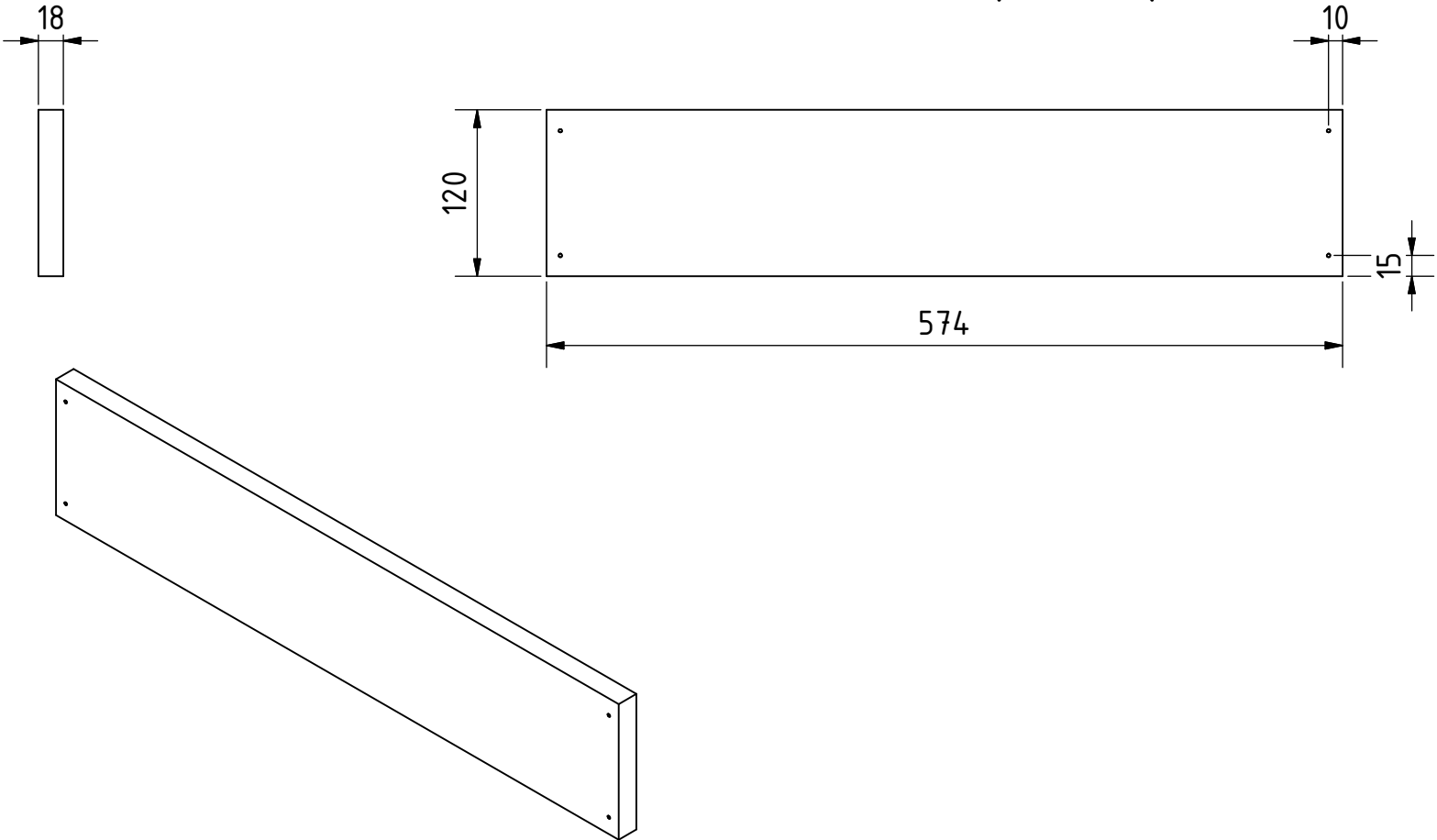
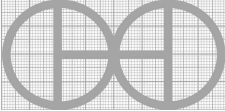


# ELEVATION ( 1 : 5 )



Note: All units in mm.

PROJECT Hand Operated Winnower for groundnut		CREATED BY J. Zeron	APPROVED BY A. Morillo	DATE 09/08/2021	VERSION 1.0
PART NAME Side rail		FILE NAME Side rail.ipt			POS 1.4
DEVELOPED BY	REDESIGNED BY	DOC. TYPE	MATERIAL	QUANTITY	
Tropical Products Institut	 OHO e.V.	Part	Hard wood	2	
		LICENCE	SCALE	SHEET	
		CC-BY-SA 4.0	1:5	10 /45	