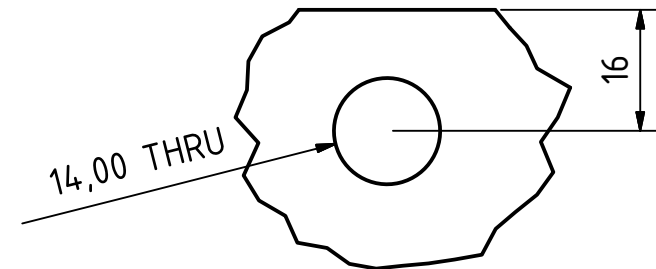
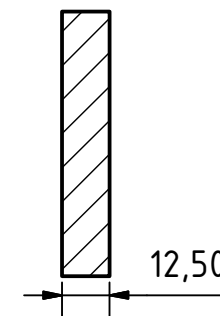
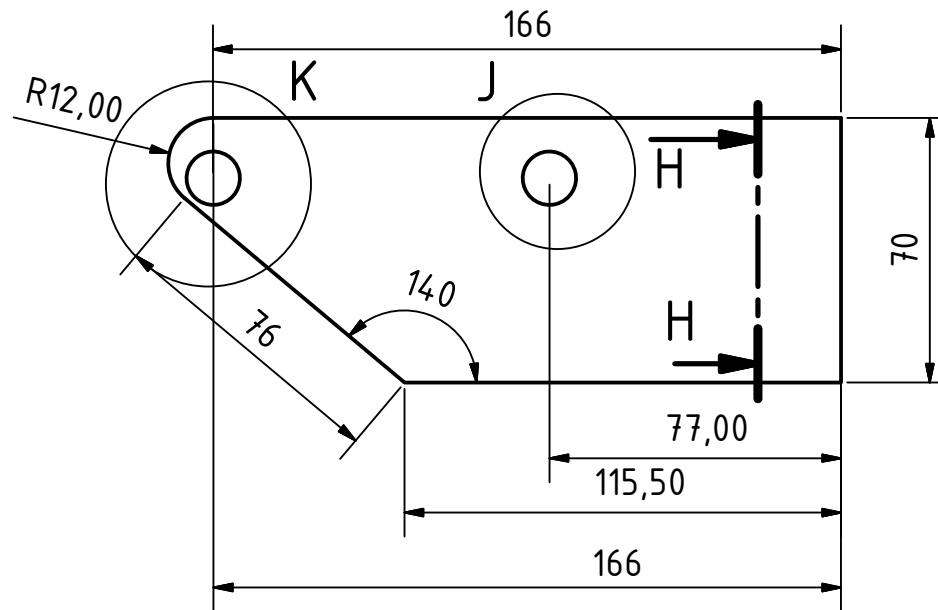


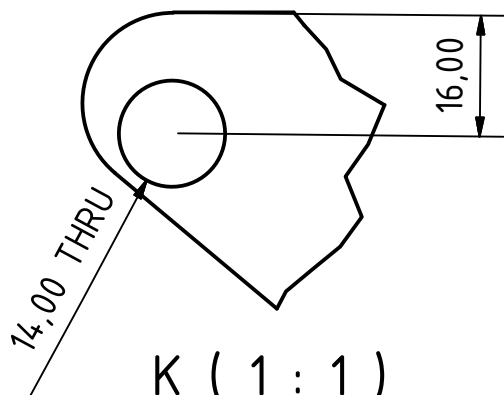
SCALE (1 : 2)



J (1 : 1)

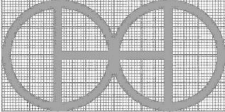


H-H (1 : 2)



K (1 : 1)

Note: All units in mm.

PROJECT	CREATED BY	APPROVED BY	DATE	VERSION
Ox-drawn Plough	L. Ruda	A. Morillo	09/09/2021	1.0
PART NAME	FILE NAME			POS
Plate 178x70x12.5	Plate 178x70x12.5.ipt			2.7
DEVELOPED BY	REDESIGNED BY	DOC. TYPE	MATERIAL	QUANTITY
		Part	Steel C45	1
		LICENCE	SCALE	SHEET
Practical Action	OHO e.V.	CC-BY-SA 4.0	1:2	16 /26