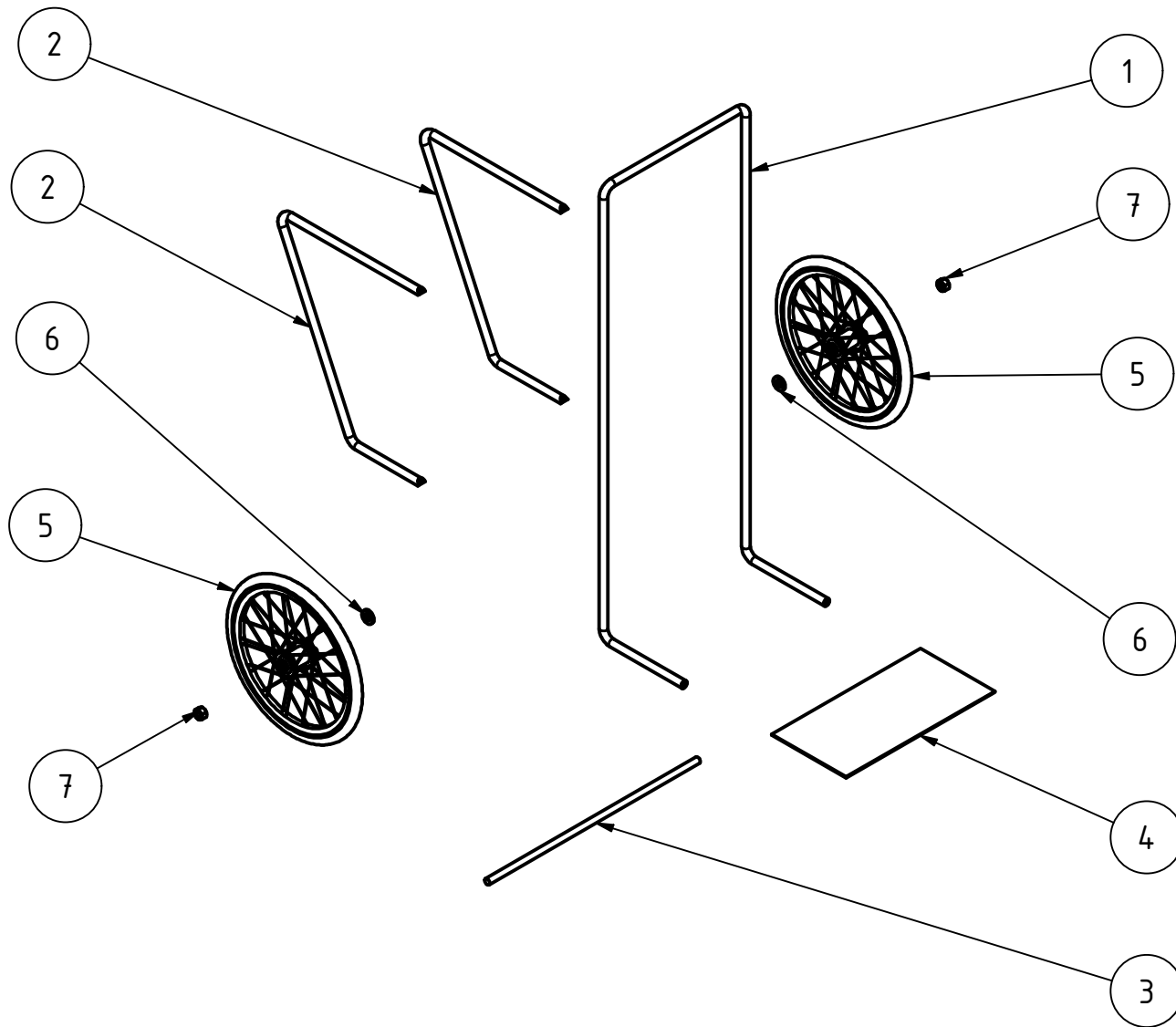
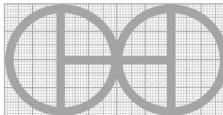


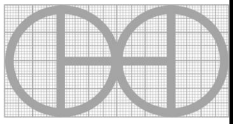
PROJECT		CREATED BY		APPROVED BY		DATE		VERSION		
Homes tead cart		E. CEBALLOS		A. MORILLO		24-05-2021		1.0		
PART NAME		FILE NAME								PART CODE
Homes tead cart		homes-tead-cart.iam								A1
DEVELOPED BY		REDESIGNED BY		SUPPORTED BY		DOC. TYPE		MATERIAL		QUANTITY
Unknown		OHO e.V.				ASSEMBLY				1
						LICENCE		SCALE		SHEET
						CC-BY-SA 4.0		1:15		1 / 7

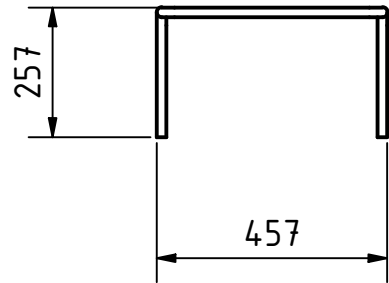
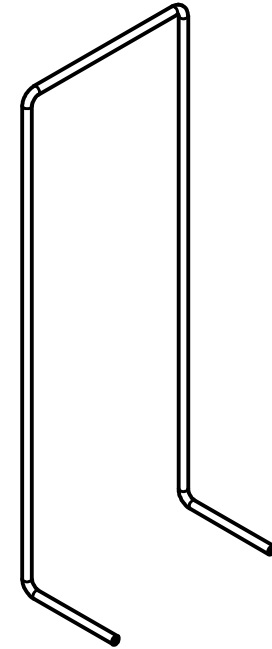
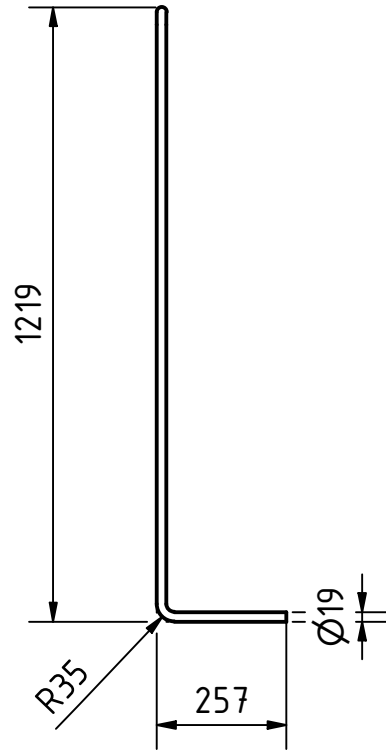
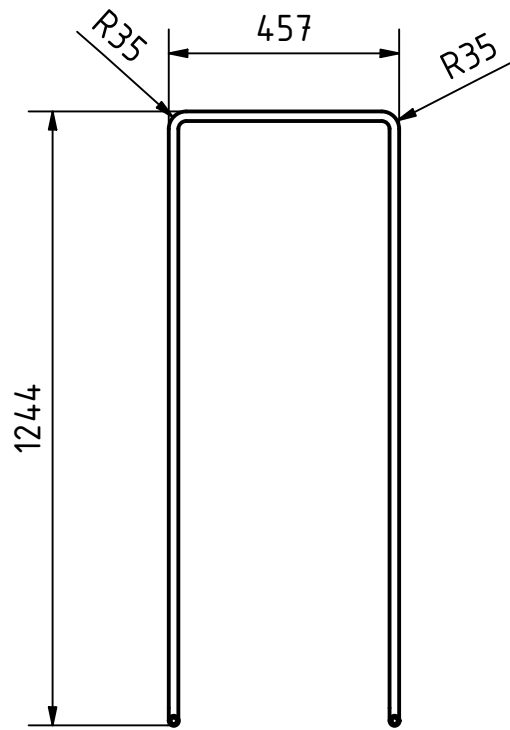


PROJECT		CREATED BY		APPROVED BY		DATE		VERSION	
Homes tead cart		E. CEBALLOS		A. MORILLO		24-05-2021		1.0	
PART NAME				FILE NAME				PART CODE	
Homes tead cart				homes-tead-cart.ipn				A2	
DEVELOPED BY		REDESIGNED BY		SUPPORTED BY		DOC. TYPE		MATERIAL	
Unknown		 OHO e.V.				ASSEMBLY			
						LICENCE		SCALE	
						CC-BY-SA 4.0		1:15	
								QUANTITY	
								1	
								SHEET	
								2 / 7	

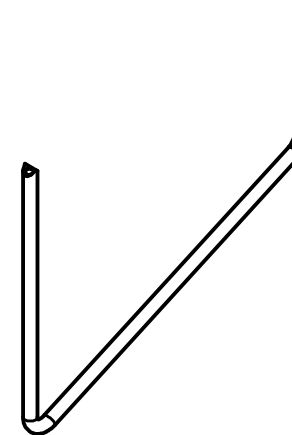
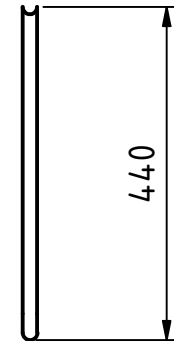
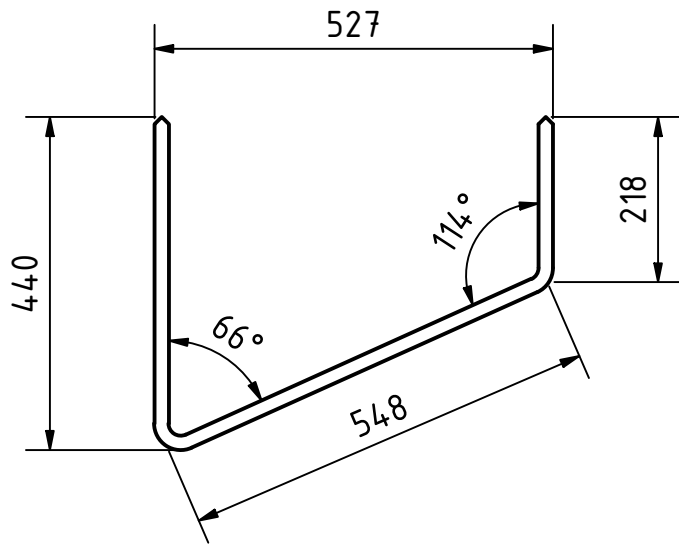
PART LIST

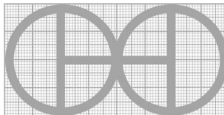
POS	POS.OLD	QTY	PART NAME	FILE NAME	PART TYPE	SPECIFICATIONS	SHEET
A1			homes tead cart	homes-tead-cart.iam			1
A2			homes tead cart	homes-tead-cart.ipn			2
B1			Part List				3
1		1	sucker rod 1 (3/4")	sucker rod 1.ipt	Production	steel, ASTM A36	4
2		2	sucker rod 2 (3/4")	sucker rod 2.ipt	Production	steel, ASTM A36	5
3		1	rod (5/8")	rod.ipt	Production	steel, ASTM 1045 / DIN C45	6
4		1	plate (1/8")	plater.ipt	Production	steel, ASTM 1045 / DIN C45	7
5		2	16" wheel	16in wheel.ipt	Standard	Steel, ASTM 1045 / DIN C45	
6		2	washer (5/8")		Standard	ASTM F436 - 5/8, CW	
7		2	nut (5/8")		Standard	AS 2465 - 5/8 UNC	

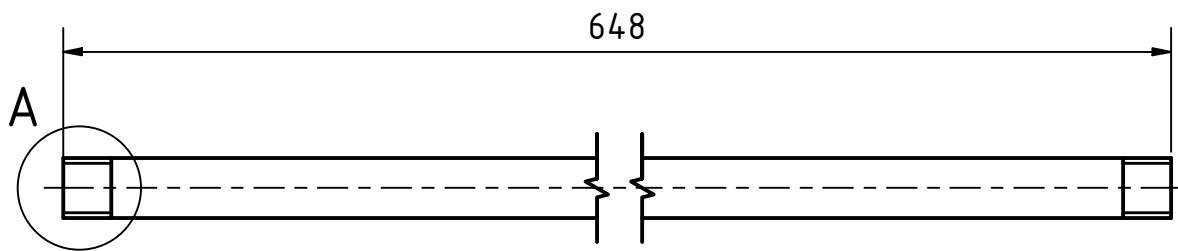
PROJECT		CREATED BY	APPROVED BY	DATE	VERSION
Homes tead cart		E. CEBALLOS	A. MORILLO	24-05-2021	1.0
PART NAME		FILE NAME			PART CODE
PART LIST		PART LIST.csv			B1
DEVELOPED BY	REDESIGNED BY	SUPPORTED BY	DOC. TYPE	MATERIAL	QUANTITY
Unknown	 OH0 e.V.		PART LIST		
			LICENCE	SCALE	SHEET
			CC-BY-SA 4.0		3 / 7



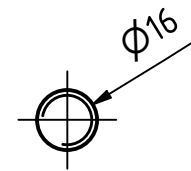
PROJECT		CREATED BY	APPROVED BY	DATE	VERSION
Homes tead cart		E. CEBALLOS	A. MORILLO	24-05-2021	1.0
PART NAME		FILE NAME			PART CODE
sucker rod 1 (3/4")		sucker rod 1.ipt			1
DEVELOPED BY	REDESIGNED BY	SUPPORTED BY	DOC. TYPE	MATERIAL	QUANTITY
Unknown	OHO e.V.		PART	steel, ASTM A36	1
			LICENCE	SCALE	SHEET
			CC-BY-SA 4.0	1:15	4 / 7



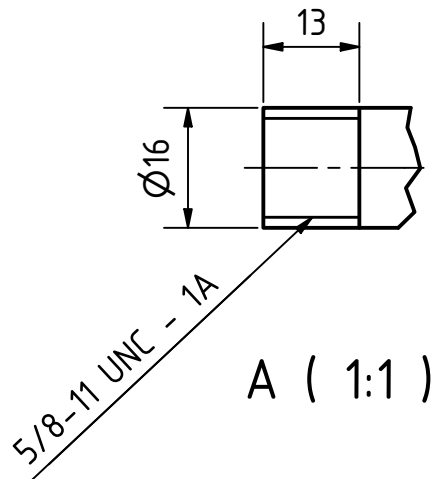
PROJECT		CREATED BY		APPROVED BY		DATE		VERSION	
Homes tead cart		E. CEBALLOS		A. MORILLO		24-05-2021		1.0	
PART NAME				FILE NAME				PART CODE	
sucker rod 2 (3/4")				sucker rod 2.ipt				2	
DEVELOPED BY		REDESIGNED BY		SUPPORTED BY		DOC. TYPE	MATERIAL		QUANTITY
Unknown		 OHO e.V.				PART	steel, ASTM A36		2
						LICENCE		SCALE	SHEET
						CC-BY-SA 4.0		1:10	5 / 7



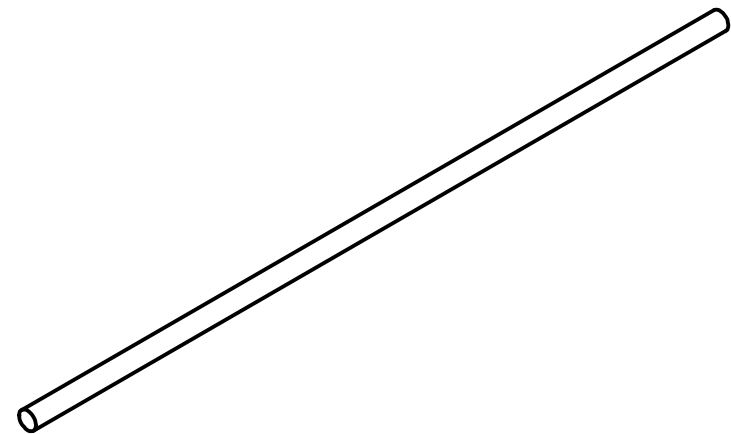
FRONT (1 : 2)



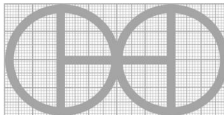
SIDE (1 : 2)

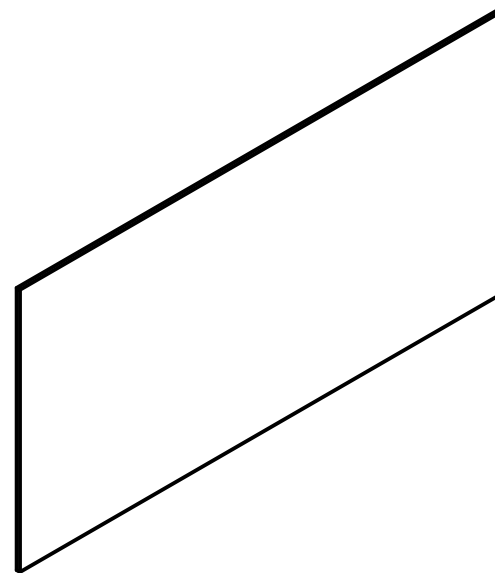
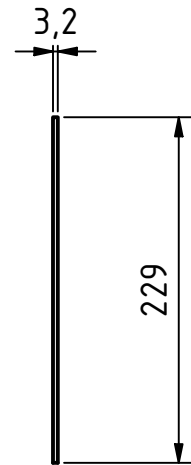
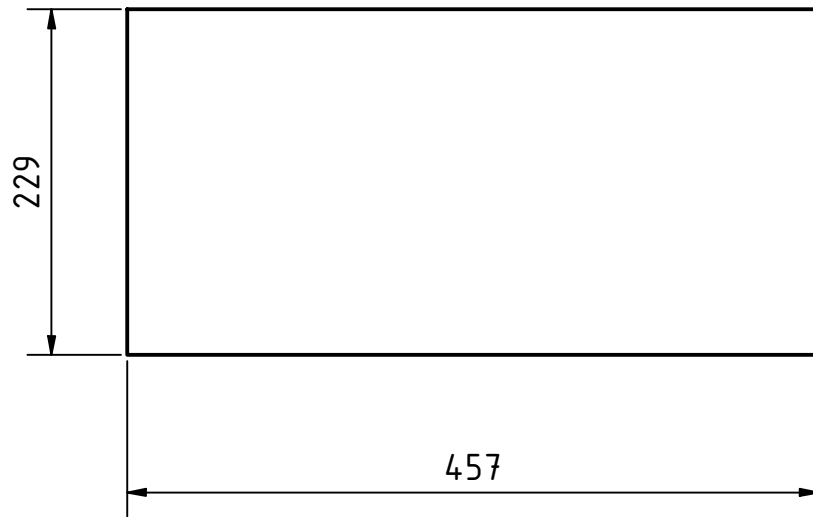


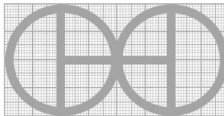
A (1:1)



ISOMETRIC (1 : 5)

PROJECT		CREATED BY	APPROVED BY	DATE	VERSION
Homes tead cart		E. CEBALLOS	A. MORILLO	24-05-2021	1.0
PART NAME		FILE NAME			PART CODE
rod (5/8")		rod.ipt			3
DEVELOPED BY	REDESIGNED BY	SUPPORTED BY	DOC. TYPE	MATERIAL	QUANTITY
			PART	steel, ASTM 1045 / DIN C45	1
Unknown	OHO e.V.		LICENCE	SCALE	SHEET
			CC-BY-SA 4.0	1:2	6 / 7



PROJECT		CREATED BY	APPROVED BY	DATE	VERSION
Homes tead cart		E. CEBALLOS	A. MORILLO	24-05-2021	1.0
PART NAME		FILE NAME			PART CODE
plate		plate.ipt			4
DEVELOPED BY	REDESIGNED BY	SUPPORTED BY	DOC. TYPE	MATERIAL	QUANTITY
			PART	steel, ASTM 1045 / DIN C45	1
Unknown	OHO e.V.		LICENCE	SCALE	SHEET
			CC-BY-SA 4.0	1:5	7 / 7