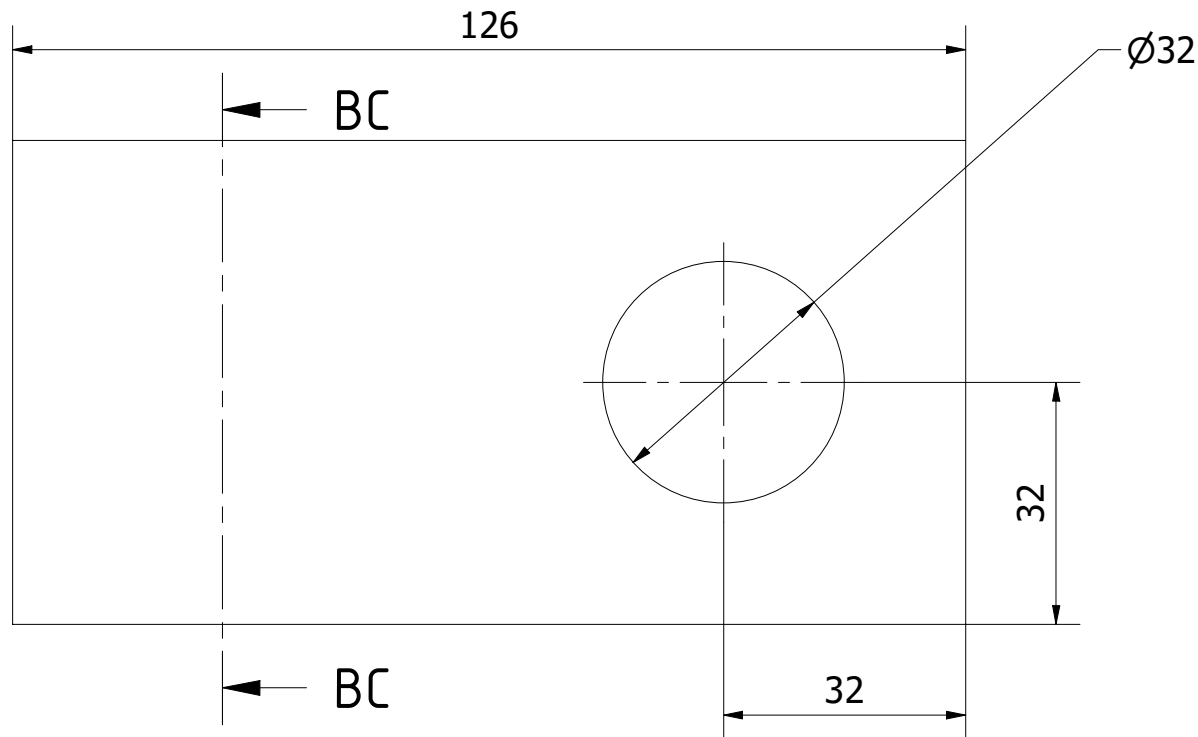


BC-BC (1 : 1)



Note: All units in mm.

| | | | | | |
|---|---------------------------|-----------------------------------|---------------------------|--------------------|----------------|
| PROJECT Brick Making Machine CETA-RAM - for soil bricks | | CREATED BY J. Rosciano | APPROVED BY A. Morillo | DATE 28/07/2021 | VERSION 1.1 |
| PART NAME Internal support | | FILE NAME internal support.ipt | | | POS 4.5 |
| DEVELOPED BY Centro de Experimentación en Tecnología Apropriada | REDESIGNED BY OHO e.V. | DOC. TYPE Part | MATERIAL ASTM A36 | QUANTITY 2 | |
| | | LICENCE CC-BY-SA 4.0 | SCALE 1/1 | SHEET 37 /53 | |

