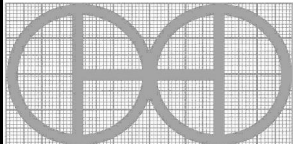
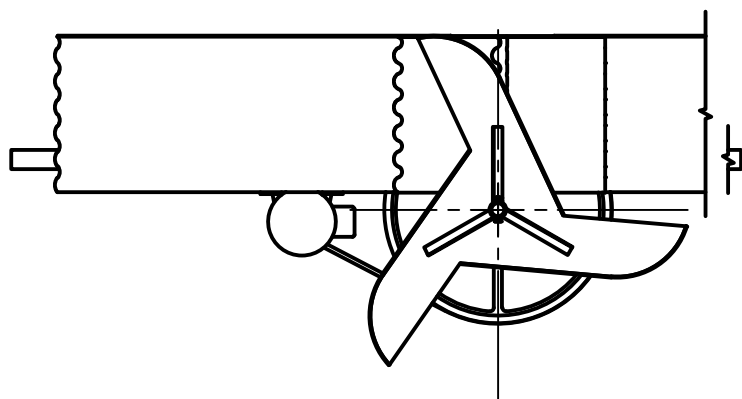
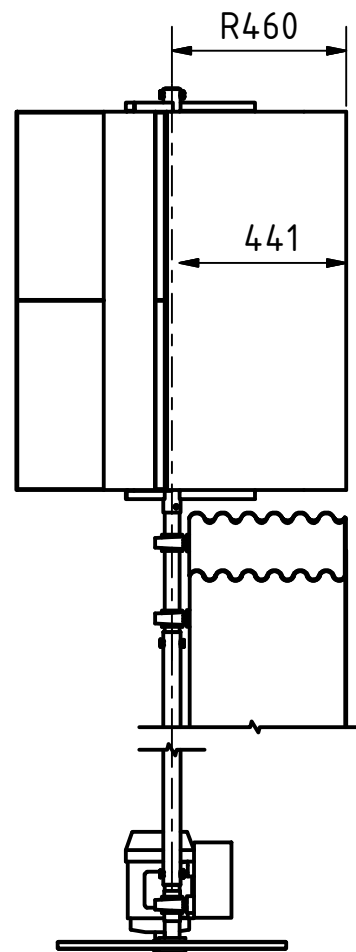
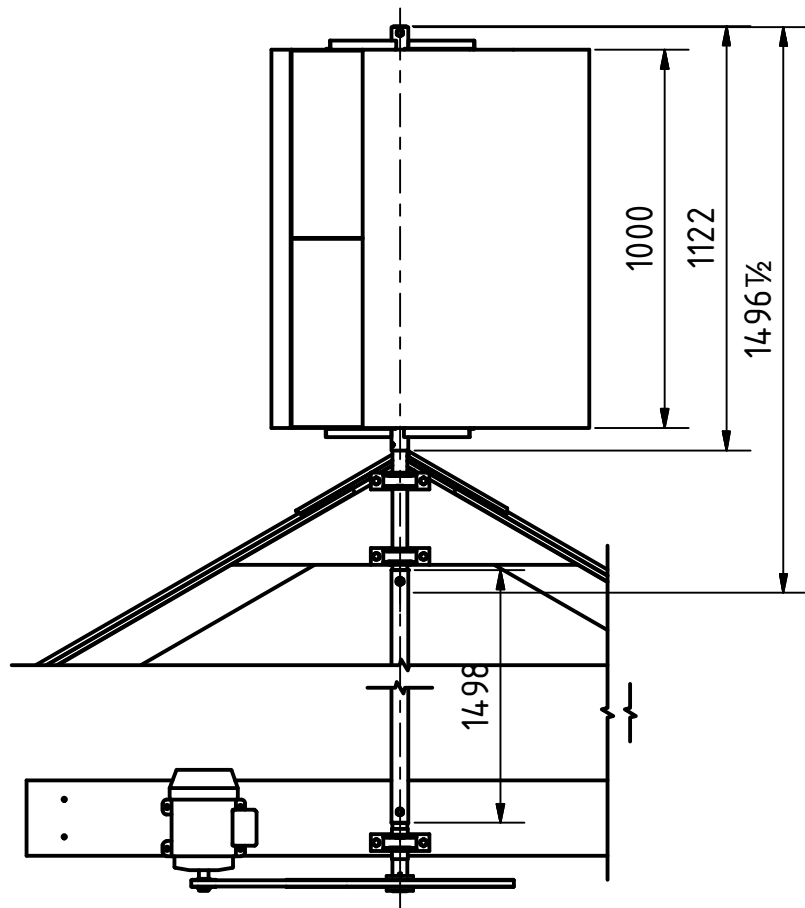
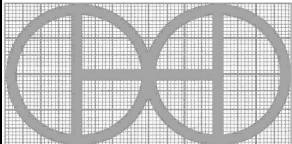
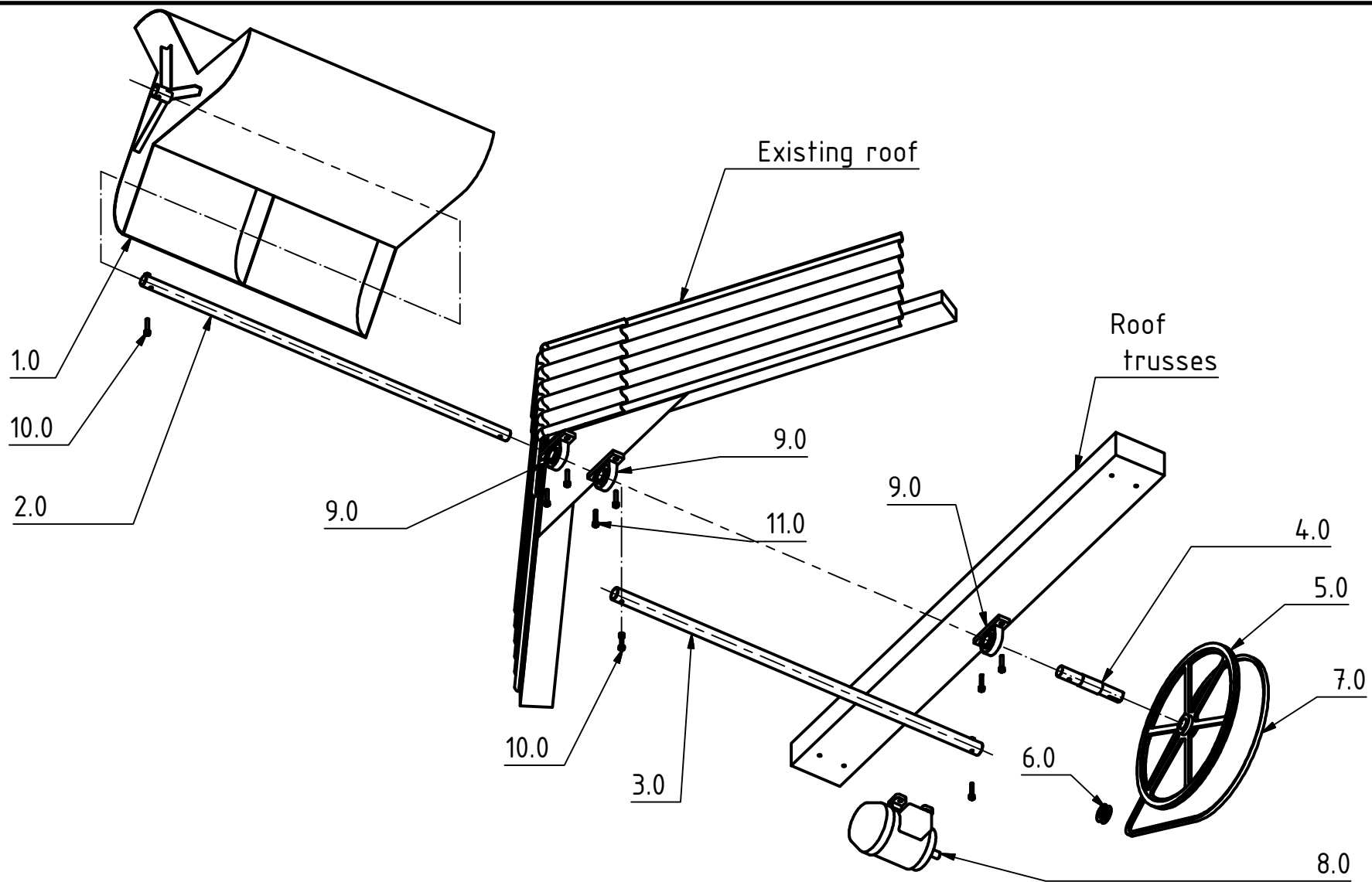


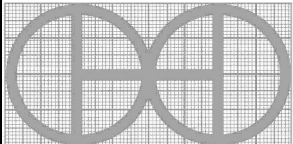
PROJECT	CREATED BY	APPROVED BY	DATE	VERSION
Sovonius rotor 1m diameter	D.MOSQUERA	A. MORILLO	22/10/2021	1.0
PART NAME	FILE NAME			POS
3D views	oho_sr1d_A1-savonius-rotor-1m-diameter.iam			A1
DEVELOPED BY	REDESIGNED BY	DOC. TYPE	MATERIAL	QUANTITY
Josef Hagmann, Austria		Assembly		1
		LICENCE	SCALE	SHEET
		CC-BY-SA 4.0	1:20	1 / 17



PROJECT	CREATED BY	APPROVED BY	DATE	VERSION
Sovonius rotor 1m diameter	D.MOSQUERA	A. MORILLO	22/10/2021	1.0
PART NAME	FILE NAME			POS
3D views	oho_sr1d_A1-savonius-rotor-1m-diameter.ipn			A1
DEVELOPED BY	REDESIGNED BY	DOC. TYPE	MATERIAL	QUANTITY
Josef Hagmann, Austria		Assembly		1
		LICENCE	SCALE	SHEET
		CC-BY-SA 4.0	1:20	2 / 17

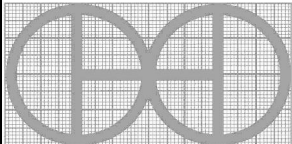
OHO e.V.



PROJECT	CREATED BY	APPROVED BY	DATE	VERSION
Sovonius rotor 1m diameter	D.MOSQUERA	A. MORILLO	22/10/2021	1.0
PART NAME	FILE NAME	POS		
Exploded 3D view	oho_sr1d_A1-savonius-rotor-1m-diameter.ipn			A2
DEVELOPED BY	REDESIGNED BY	DOC. TYPE	MATERIAL	QUANTITY
Josef Hagmann, Austria		Assembly		1
		LICENCE	SCALE	SHEET
		CC-BY-SA 4.0	1:20	3 /17

PARTS LIST

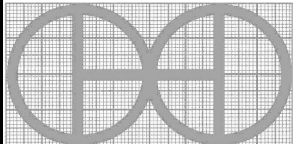
POS	QTY	PART NAME	FILE NAME	PART TYPE	SPECIFICATIONS	SHEET
A1	1	3D views	oho_sr1d_A1-savonius-rotor-1m-diameter.iam			1
A1	1	3D views	oho_sr1d_A1-savonius-rotor-1m-diameter.ipn			2
A2	1	Exploded 3D view	oho_sr1d_A1-savonius-rotor-1m-diameter.ipn			3
B1		Parts list	savonius-rotor-1m-diameter.xls			4
C1		Technical notes				5
1.0.0	1	Rotor	oho_sr1d_Rotor.iam			6
1.0.0	1	Rotor	oho_sr1d_Rotor.ipn			7
1.1.0	3	Sheet steel	oho_sr1d_sheet-steel.ipt		thickness: 1,0 mm, Galvanized Steel	8
1.2.0	2	Plate sheet	oho_sr1d_plate-sheet.ipt	Production	thickness:1,0 mm, Galvanized Steel	9
1.3.0	1	Support rotor	oho_sr1d_support-Rotor.iam			10
1.3.0	1	Support rotor	oho_sr1d_support-Rotor.ipn			11
1.3.1	2	Tube support	oho_sr1d_tube-support.ipt	Production	Schd 40, Steel A36	12
1.3.2	2	Angle	oho_sr1d_angle25.ipt	Production	L 25x25x3, Steel A36	13
1.4.0	3	Center sheet	oho_sr1d_center-sheet.ipt	Production	thickness: 1,0 mm, Galvanized Steel	14
2.0.0	1	Lower shaft	oho_sr1d_lower-shaft.ipt	Production	Steel C45	15
3.0.0	1	Tubular shaft	oho_sr1d_tubular-shaft.ipt	Production	Schd 40, Steel C45	16
4.0.0	1	Upper shaft	oho_sr1d_upper-shaft.ipt	Production	Steel C45	17
5.0.0	1	Fly wheel		Buy	Fly wheel, medium, D:600 x1, Aluminum	
6.0.0	1	Fly wheel small		Buy	Fly wheel small, D:150 x1, Aluminum	
7.0.0	1	Belt transmission		Buy	Belt transmission, type V, Rubber	
8.0.0		Generator		Buy	Generator, DC Motor 80 V	
9.0.0	3	Bearing		Standard	Bearing, Bridge UCPL207-107D1	
10.0.0	4	Bolt shaft		Standard	Bolt shaft, M10 x L:50 DIN 933	
11.0.0	10	Nut		Standard	Nut, Hex M10 DIN 934	

PROJECT		CREATED BY	APPROVED BY	DATE	VERSION
Sovonius rotor 1m diameter		D.MOSQUERA	A. MORILLO	22/10/2021	1.0
PART NAME		FILE NAME			POS
Parts list		savonius-rotor-1m-diameter.xls			B1
DEVELOPED BY		REDESIGNED BY	DOC. TYPE	MATERIAL	QUANTITY
Josef Hagmann, Austria			Parts list		
			LICENCE	SCALE	SHEET
			CC-BY-SA 4.0		4 /17

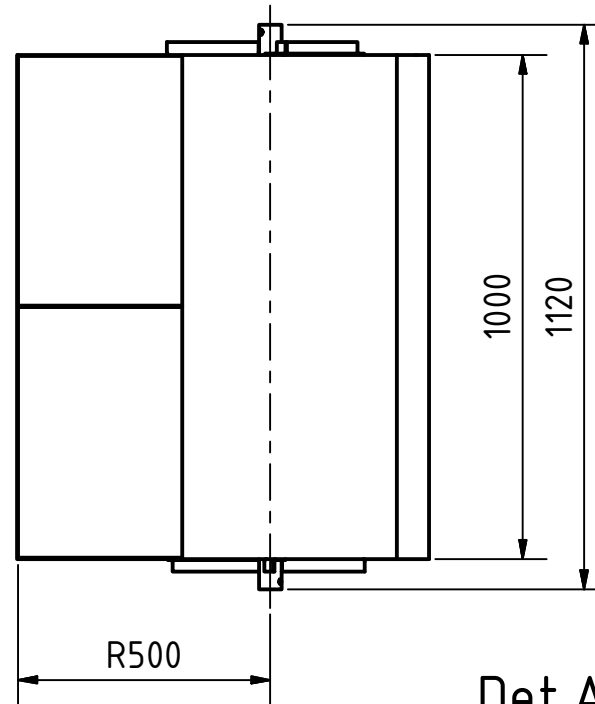
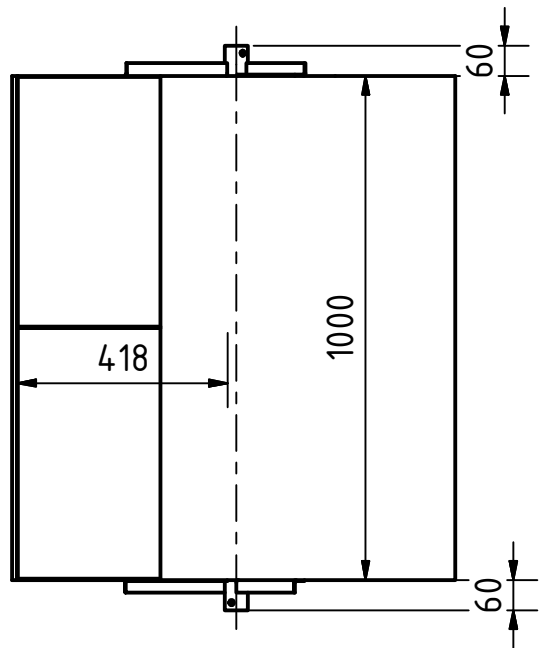
OHO e.V.

TECHNICAL NOTES

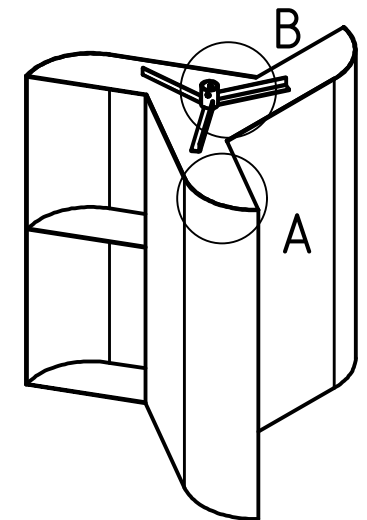
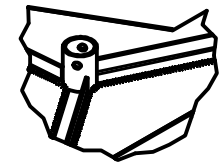
NOTES	CONTENT
GENERAL NOTES	
Metal structure treatment	Iron structures should be painted to prevent rust and improve equipment life. - Remove loose rust with a wire brush, sandpaper or chemical rust remover. - If applicable, sand areas where paint is chipping until surface is smooth. - Remove dust or oil with a degreaser or denatured alcohol. - Prime surface to protect against rust and corrosion
Wood treatment	- The wood must be treated with pesticides and kiln-dried to ensure adequate humidity. - Wood sealer should be applied for later use.
...	...
...	...

PROJECT	CREATED BY	APPROVED BY	DATE	VERSION
Sovonius rotor 1m diameter	D.MOSQUERA	A. MORILLO	22/10/2021	1.0
PART NAME	FILE NAME			POS
Technical notes				C1
DEVELOPED BY	REDESIGNED BY	DOC. TYPE	MATERIAL	QUANTITY
Josef Hagmann, Austria		Technical notes		
		LICENCE	SCALE	SHEET
		CC-BY-SA 4.0		5 /17

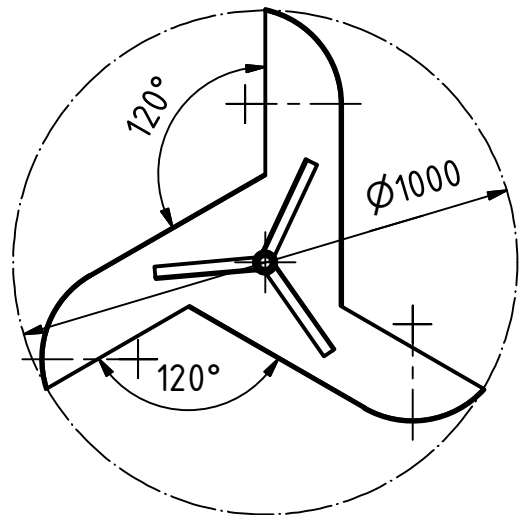
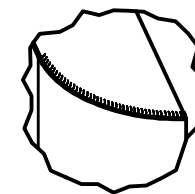
OHO e.V.

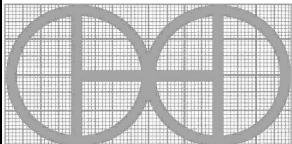


Det.B

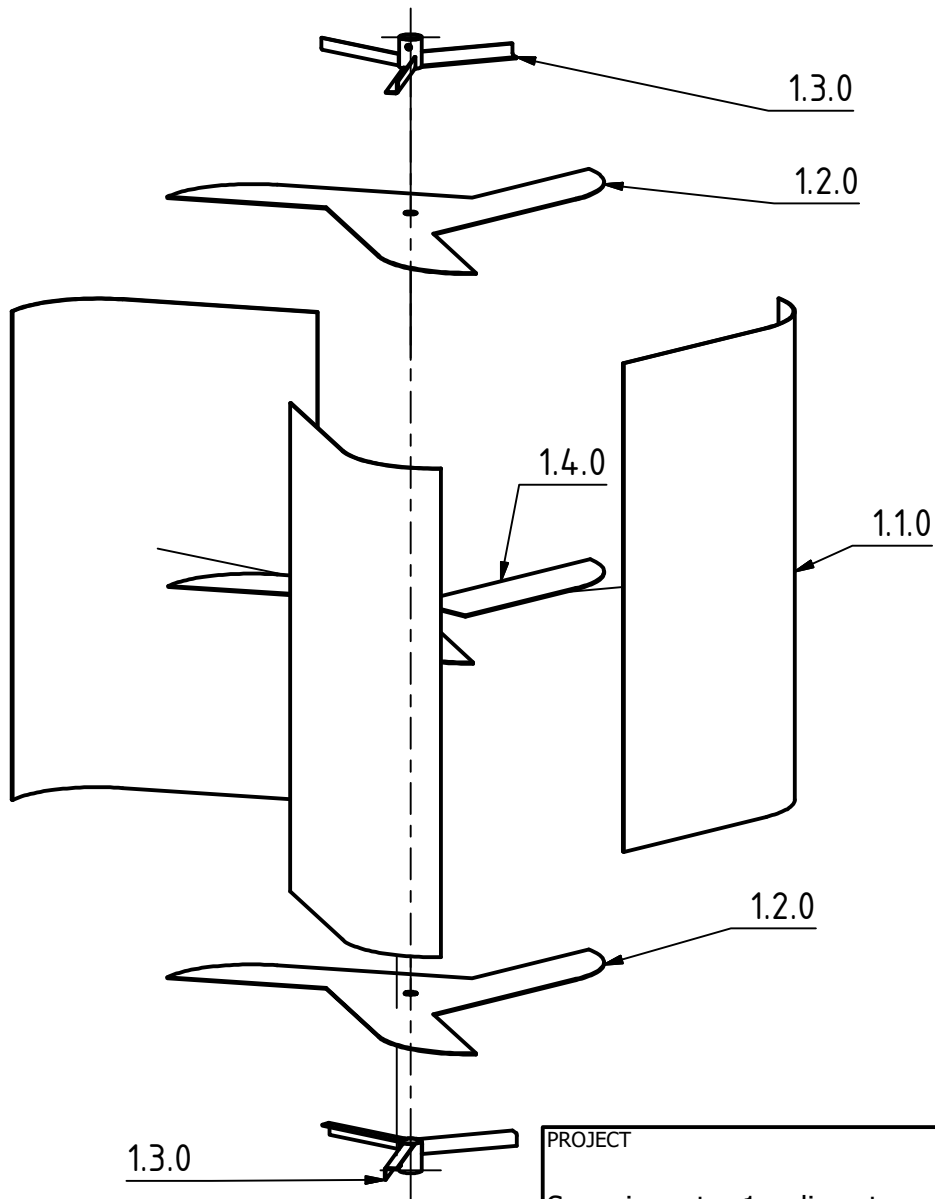


Det.A

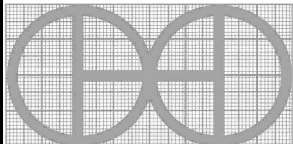


PROJECT	CREATED BY	APPROVED BY	DATE	VERSION
Sovonius rotor 1m diameter	D.MOSQUERA	A. MORILLO	22/10/2021	1.0
PART NAME	FILE NAME			POS
Rotor	oho_sr1d_Rotor.iam			1.0.0
DEVELOPED BY	REDESIGNED BY	DOC. TYPE	MATERIAL	QUANTITY
Josef Hagmann, Austria		Assembly		1
		LICENCE	SCALE	SHEET
		CC-BY-SA 4.0	1:15	6 /17

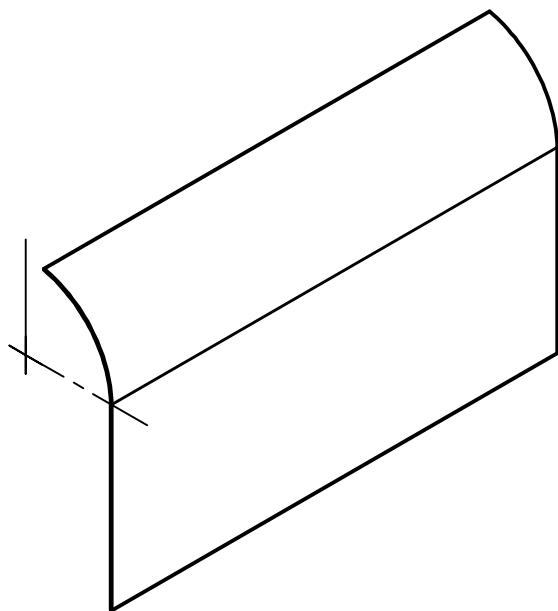
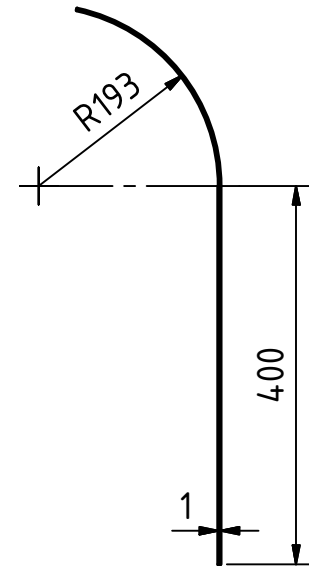
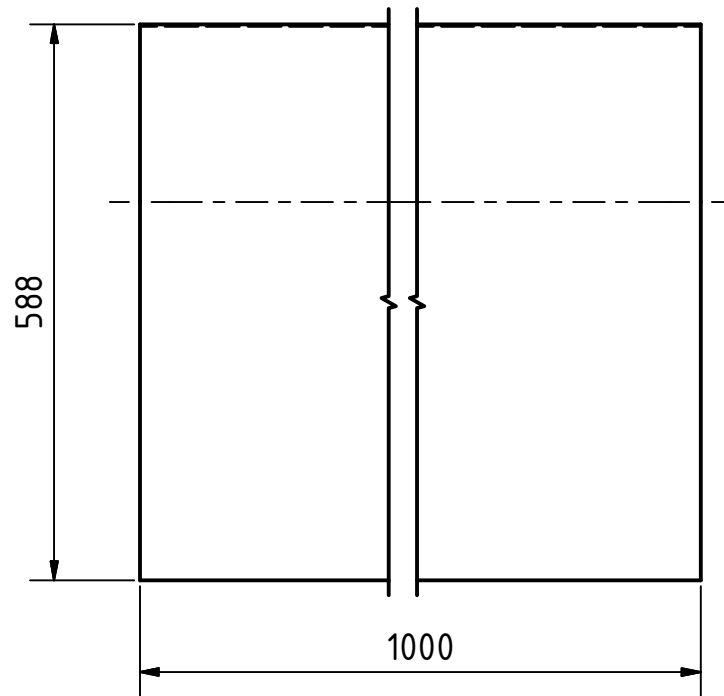
OHO e.V.

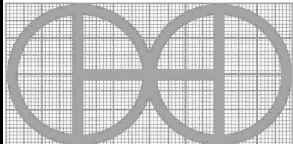


1.3.0

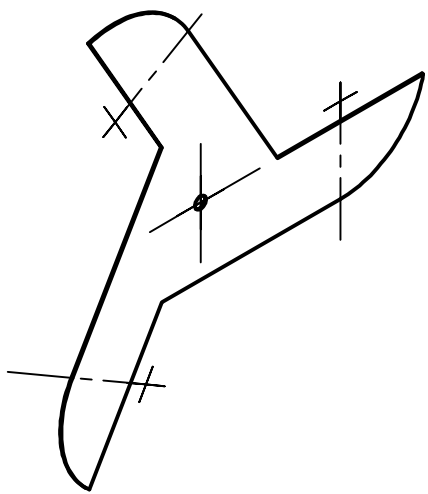
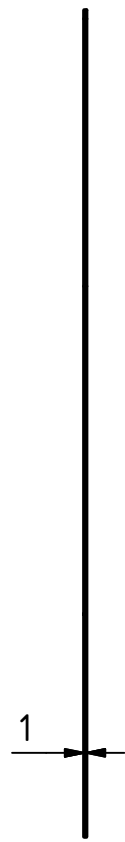
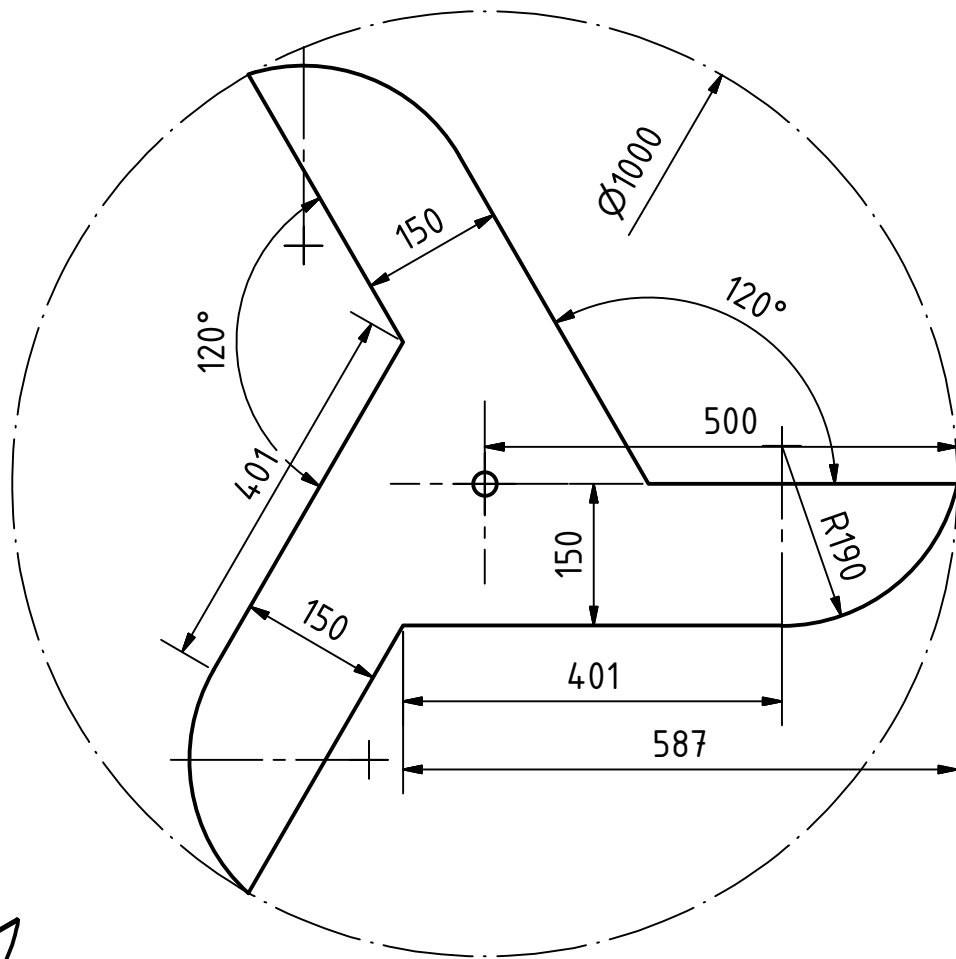
PROJECT	CREATED BY	APPROVED BY	DATE	VERSION
Sovonius rotor 1m diameter	D.MOSQUERA	A. MORILLO	22/10/2021	1.0
PART NAME	FILE NAME			POS
Rotor	oho_sr1d_Rotor.ipn			1.0.0
DEVELOPED BY	REDESIGNED BY	DOC. TYPE	MATERIAL	QUANTITY
Josef Hagmann, Austria		Assembly		1
		LICENCE	SCALE	SHEET
		CC-BY-SA 4.0	1:15	7 /17

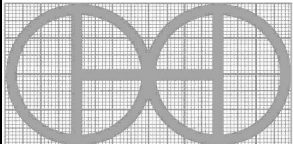
OHO e.V.

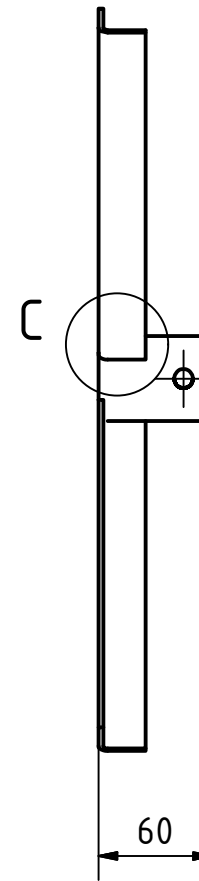
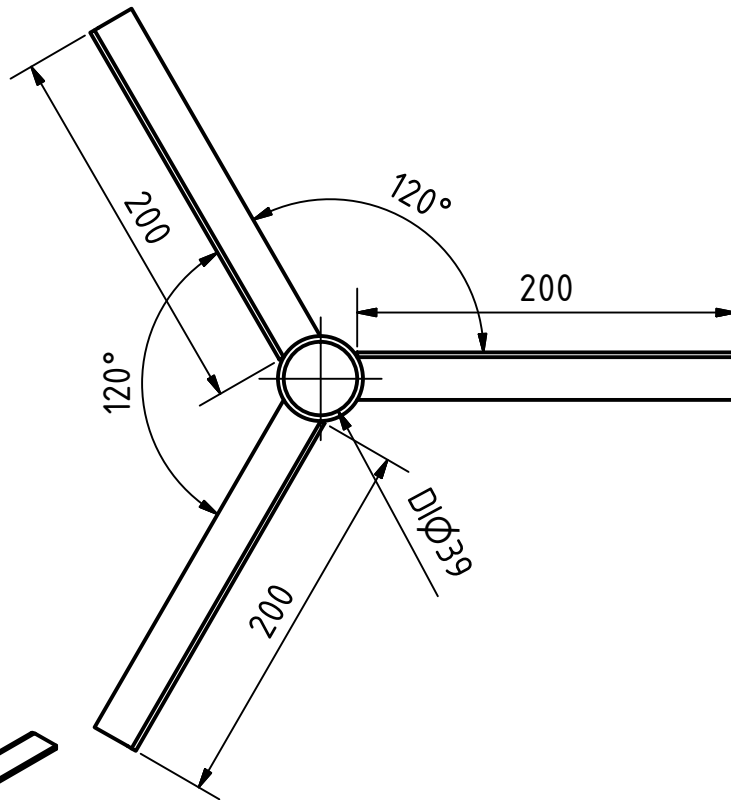
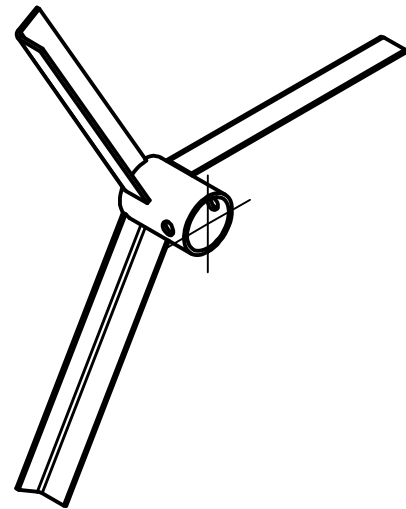


PROJECT	CREATED BY	APPROVED BY	DATE	VERSION
Sovonius rotor 1m diameter	D.MOSQUERA	A. MORILLO	22/10/2021	1.0
PART NAME	FILE NAME			POS
Sheet steel	oho_sr1d_sheet-steel.ipt			1.1.0
DEVELOPED BY	REDESIGNED BY	DOC. TYPE	MATERIAL	QUANTITY
		Part	Galvanized Steel	3
Josef Hagmann, Austria		LICENCE	SCALE	SHEET
		CC-BY-SA 4.0	1:8	8 /17

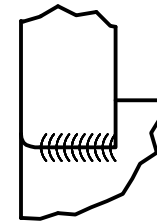
OHO e.V.

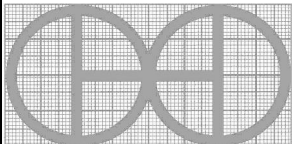


PROJECT		CREATED BY		APPROVED BY		DATE		VERSION		
Sovonius rotor 1m diameter		D.MOSQUERA		A. MORILLO		22/10/2021		1.0		
PART NAME		FILE NAME							POS	
Plate sheet		oho_sr1d_plate-sheet.ipt							1.2.0	
DEVELOPED BY		REDESIGNED BY		DOC. TYPE		MATERIAL		QUANTITY		
Josef Hagmann, Austria				Part		Galvanized Steel		2		
		OHO e.V.		LICENCE		SCALE		SHEET		
		CC-BY-SA 4.0		1:8		9 / 17				

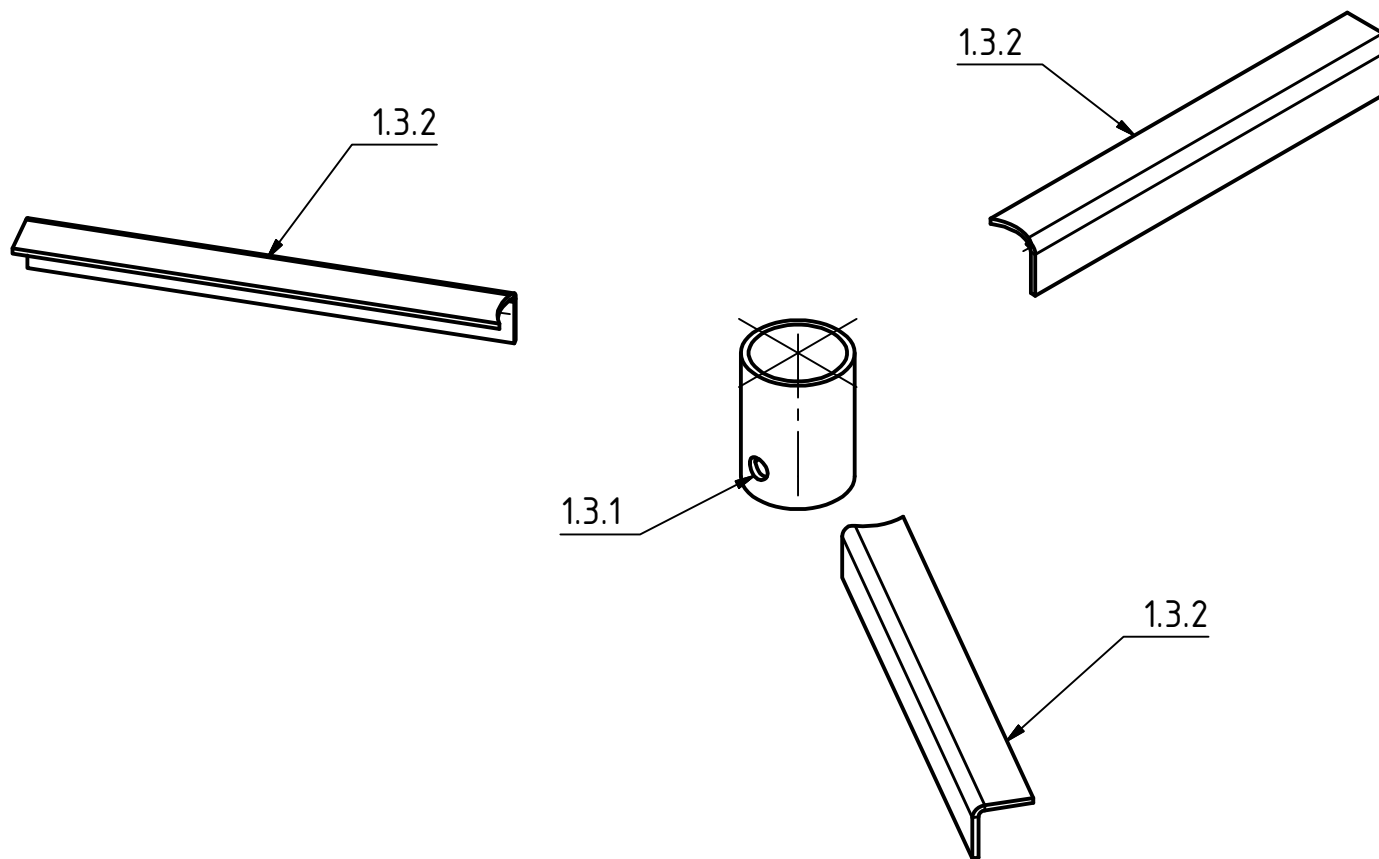


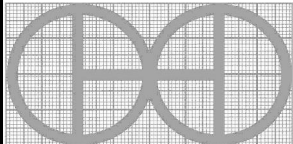
Det.C

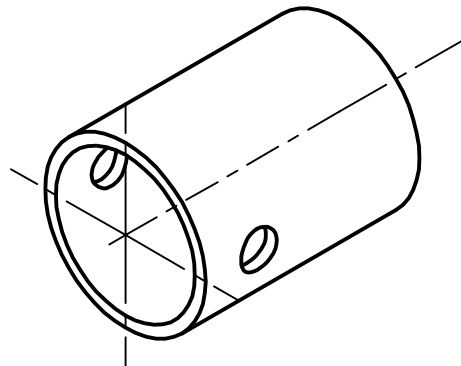
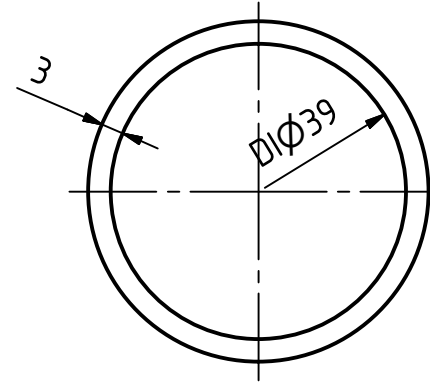
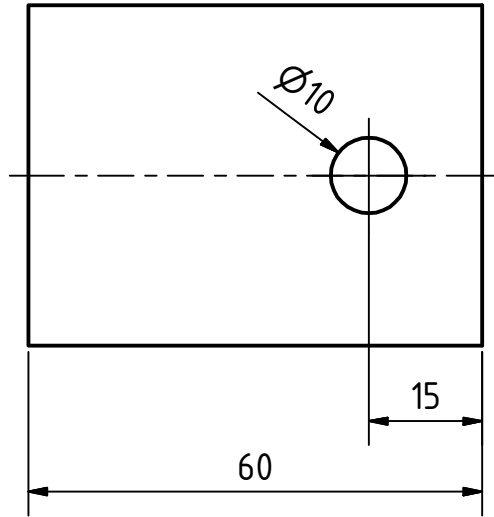


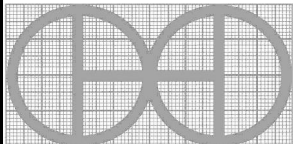
PROJECT	CREATED BY	APPROVED BY	DATE	VERSION
Sovonius rotor 1m diameter	D.MOSQUERA	A. MORILLO	22/10/2021	1.0
PART NAME	FILE NAME			POS
Support rotor	oho_sr1d_support-Rotor.iam			1.3.0
DEVELOPED BY	REDESIGNED BY	DOC. TYPE	MATERIAL	QUANTITY
Josef Hagmann, Austria		Assembly		1
		LICENCE	SCALE	SHEET
		CC-BY-SA 4.0	1:4	10 /17

OHO e.V.

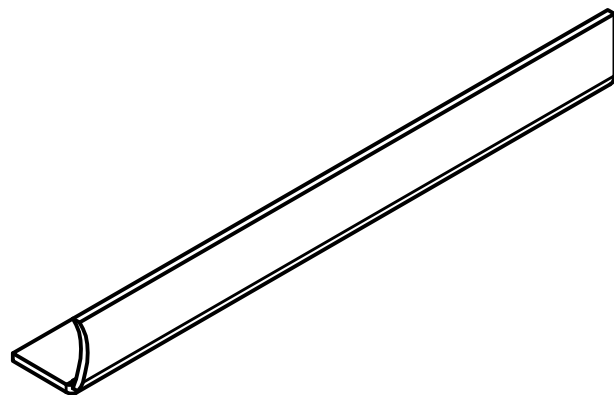
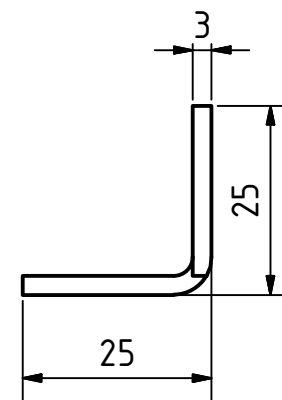
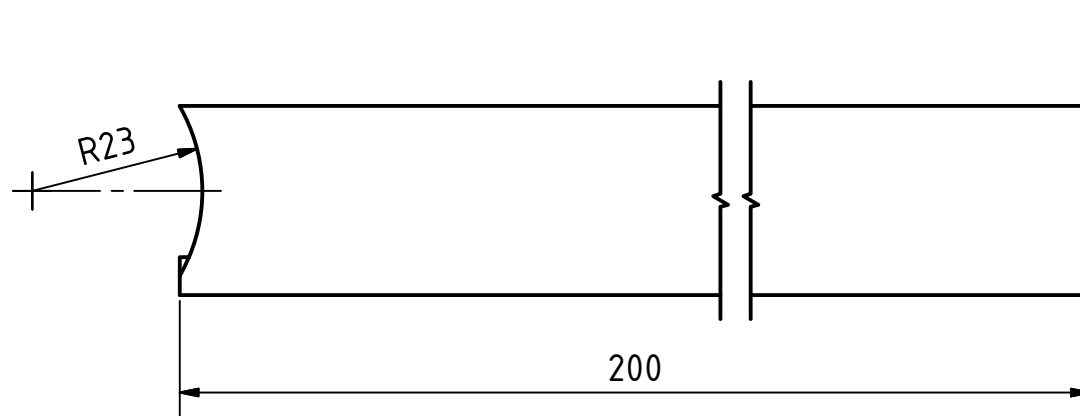


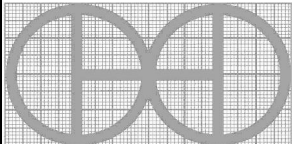
PROJECT	CREATED BY	APPROVED BY	DATE	VERSION
Sovonius rotor 1m diameter	D.MOSQUERA	A. MORILLO	22/10/2021	1.0
PART NAME	FILE NAME			POS
Support rotor	oho_sr1d_support-Rotor.ipn			1.3.0
DEVELOPED BY	REDESIGNED BY	DOC. TYPE	MATERIAL	QUANTITY
Josef Hagmann, Austria		Assembly		1
		LICENCE	SCALE	SHEET
		CC-BY-SA 4.0	1:3	11 /17



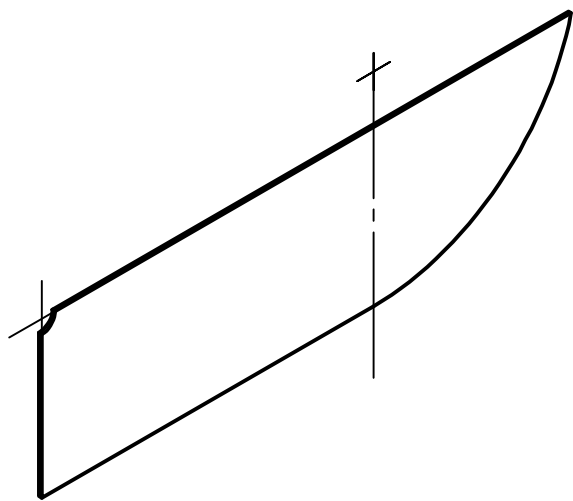
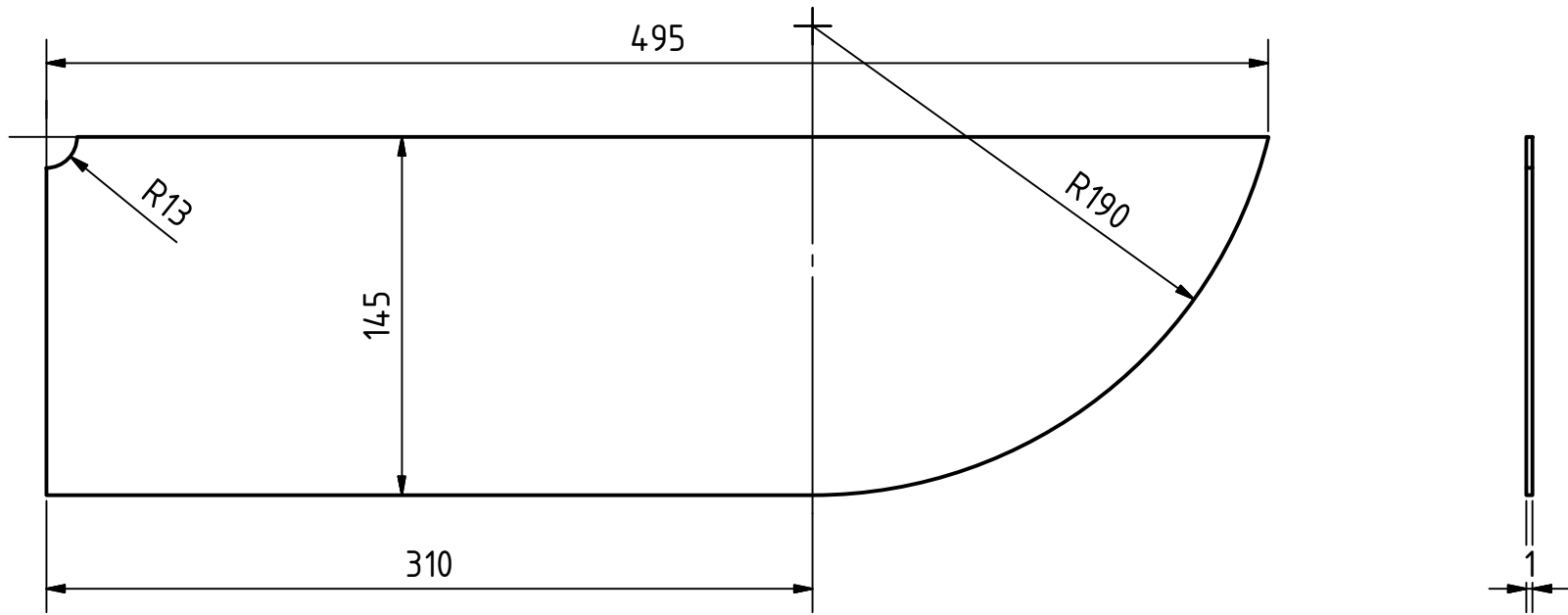
PROJECT	CREATED BY	APPROVED BY	DATE	VERSION
Sovonius rotor 1m diameter	D.MOSQUERA	A. MORILLO	22/10/2021	1.0
PART NAME	FILE NAME			POS
Tube support	oho_sr1d_tube-support.ipt			1.3.1
DEVELOPED BY	REDESIGNED BY	DOC. TYPE	MATERIAL	QUANTITY
		Part	Steel A36	2
Josef Hagmann, Austria		LICENCE	SCALE	SHEET
		CC-BY-SA 4.0	1:1	12 /17

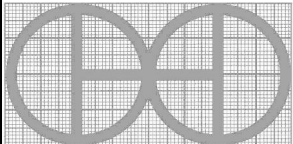
OHO e.V.



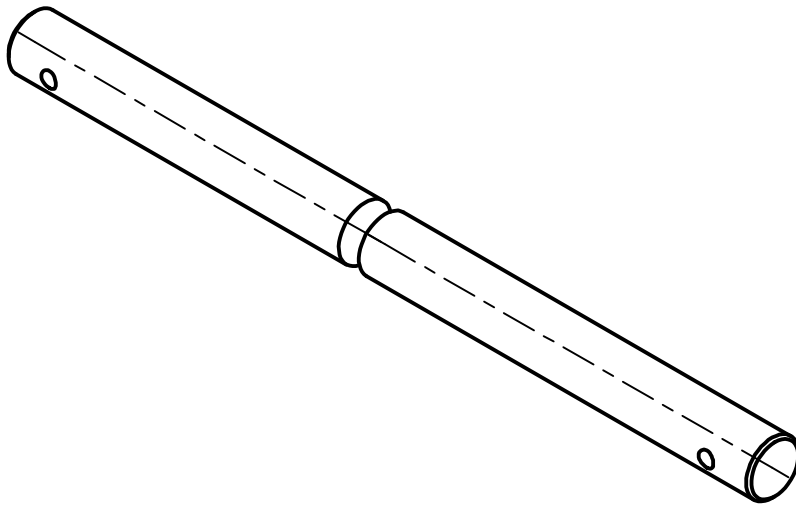
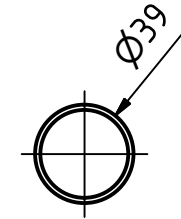
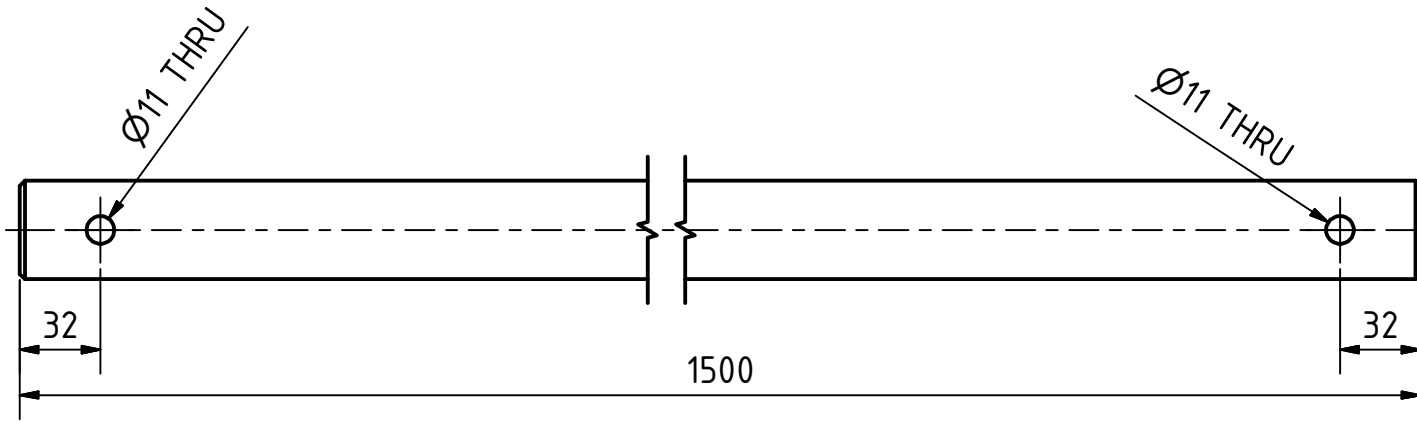
PROJECT	CREATED BY	APPROVED BY	DATE	VERSION
Sovonius rotor 1m diameter	D.MOSQUERA	A. MORILLO	22/10/2021	1.0
PART NAME	FILE NAME			POS
Angle	oho_sr1d_angle25.ipt			1.3.2
DEVELOPED BY	REDESIGNED BY	DOC. TYPE	MATERIAL	QUANTITY
		Part	Steel A36	2
Josef Hagmann, Austria		LICENCE	SCALE	SHEET
		CC-BY-SA 4.0	1:1	13 /17

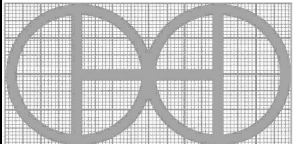
OHO e.V.



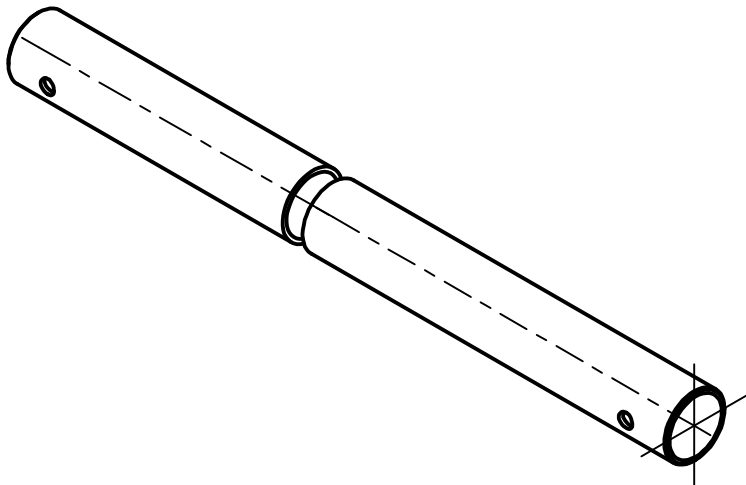
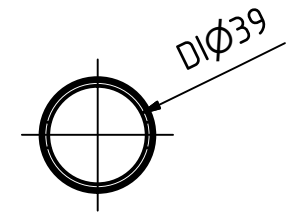
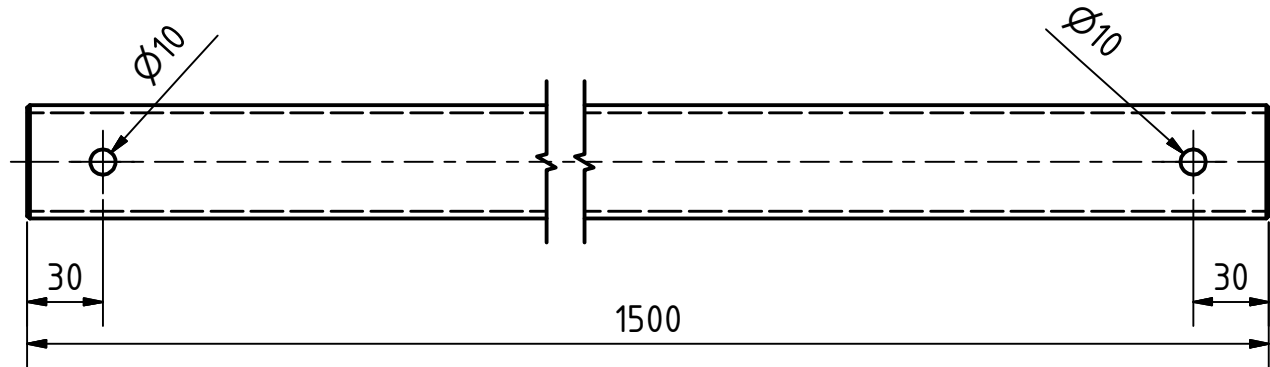
PROJECT	CREATED BY	APPROVED BY	DATE	VERSION
Sovonius rotor 1m diameter	D.MOSQUERA	A. MORILLO	22/10/2021	1.0
PART NAME	FILE NAME			POS
Center sheet	oho_sr1d_center-sheet.ipt			1.4.0
DEVELOPED BY	REDESIGNED BY	DOC. TYPE	MATERIAL	QUANTITY
Josef Hagmann, Austria		Part	Galvanized Steel	3
		LICENCE	SCALE	SHEET
		CC-BY-SA 4.0	1:3	14 /17

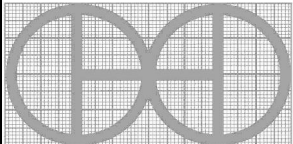
OHO e.V.



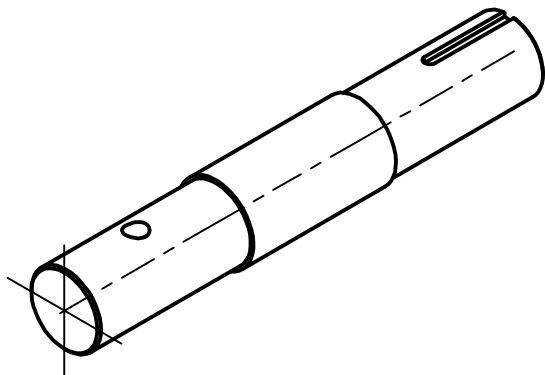
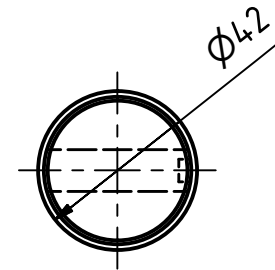
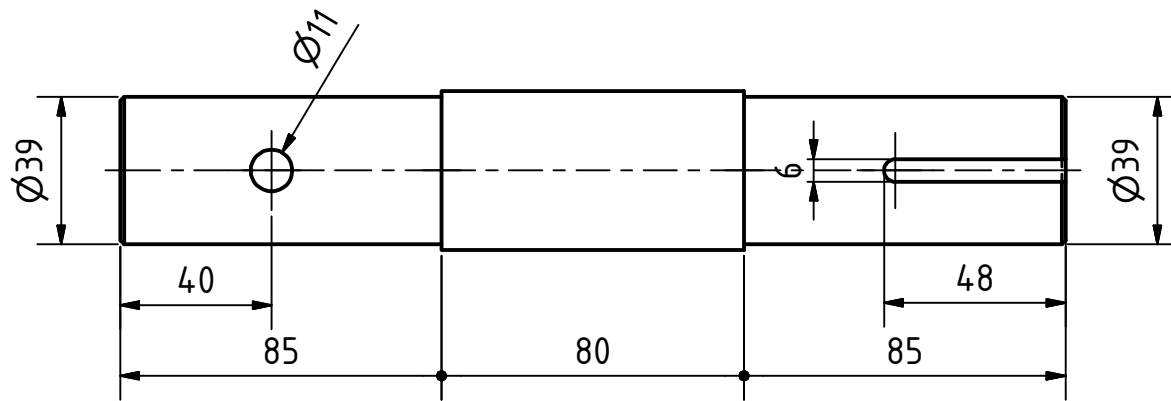
PROJECT	CREATED BY	APPROVED BY	DATE	VERSION
Sovonius rotor 1m diameter	D.MOSQUERA	A. MORILLO	22/10/2021	1.0
PART NAME	FILE NAME			POS
Lower shaft	oho_sr1d_lower-shaft.ipt			2.0.0
DEVELOPED BY	REDESIGNED BY	DOC. TYPE	MATERIAL	QUANTITY
Josef Hagmann, Austria		Part	Steel C45	1
		LICENCE	SCALE	SHEET
		CC-BY-SA 4.0	1:3	15 /17

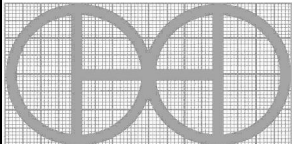
OHO e.V.



PROJECT	CREATED BY	APPROVED BY	DATE	VERSION
Sovonius rotor 1m diameter	D.MOSQUERA	A. MORILLO	22/10/2021	1.0
PART NAME	FILE NAME			POS
Tubular shaft	oho_sr1d_tubular-shaft.ipt			3.0.0
DEVELOPED BY	REDESIGNED BY	DOC. TYPE	MATERIAL	QUANTITY
Josef Hagmann, Austria		Part	Steel C45	1
		LICENCE	SCALE	SHEET
		CC-BY-SA 4.0	1:3	16 /17

OHO e.V.



PROJECT	CREATED BY	APPROVED BY	DATE	VERSION
Sovonius rotor 1m diameter	D.MOSQUERA	A. MORILLO	22/10/2021	1.0
PART NAME	FILE NAME			POS
Upper shaft	oho_sr1d_upper-shaft.ipt			4.0.0
DEVELOPED BY	REDESIGNED BY	DOC. TYPE	MATERIAL	QUANTITY
Josef Hagmann, Austria		Part	Steel C45	1
		LICENCE	SCALE	SHEET
		CC-BY-SA 4.0	1:2	17 /17

OHO e.V.