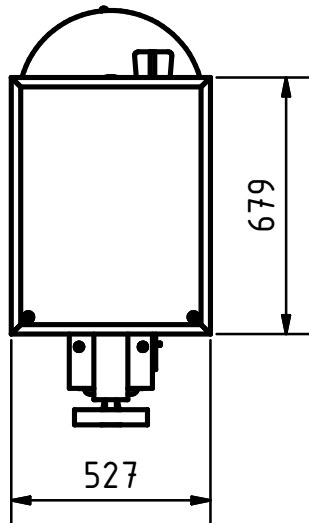
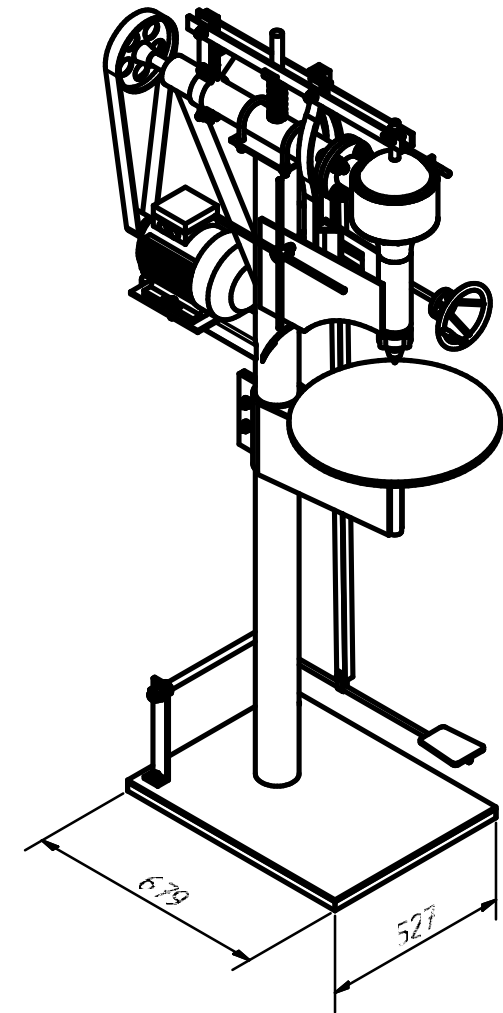
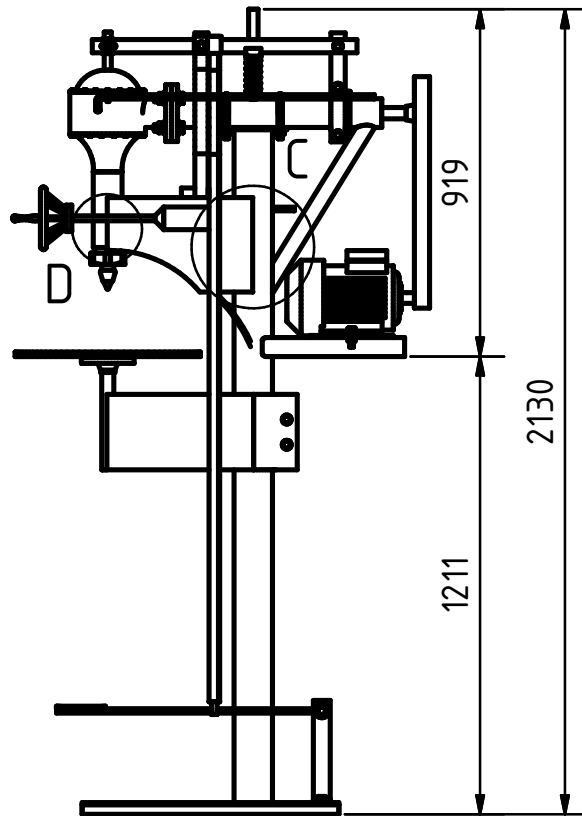
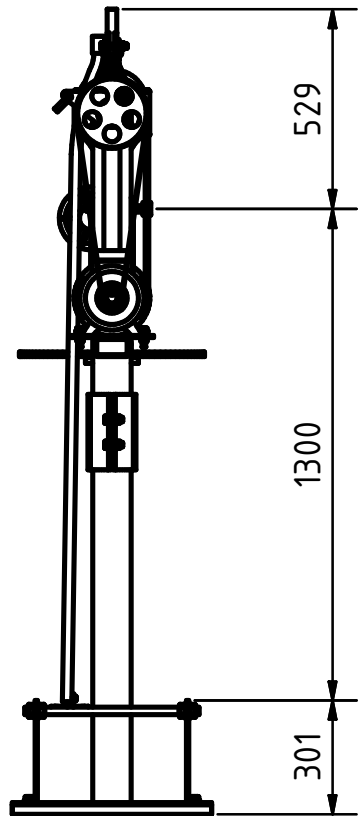


A ( 1 : 10 )

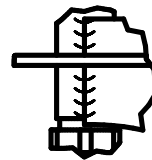
B ( 1 : 10 )

Based on drawings of: L. H. Houck

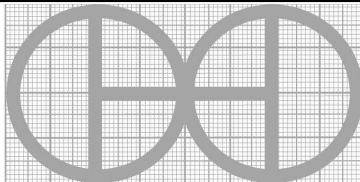
PROJECT Heavy duty drill press made from auto parts		CREATED BY E. Araujo	APPROVED BY A. Morillo	DATE 02/11/2021	VERSION 1.0
PART NAME		FILE NAME lhh_hda_heavy_duty_drill_press_made_from_auto.idw			POS A1
3D views		DOC. TYPE Assembly		QUANTITY 1	
PUBLISHED BY		LICENCE CC-BY-SA 4.0		SCALE 1:20	SHEET 1 / 70
OHO e.V.					



C ( 1 : 15 )



D ( 1 : 10 )

PROJECT Heavy duty drill press made from auto parts	CREATED BY E. Araujo	APPROVED BY A. Morillo	DATE 02/11/2021	VERSION 1.0
PART NAME	FILE NAME lhh_hda_heavy_duty_drill_press_made_from_auto.idw			POS A1
3D views				QUANTITY
PUBLISHED BY				DOC. TYPE Assembly
OHO e.V.	LICENCE CC-BY-SA 4.0	SCALE 1:20	SHEET 2 / 70	