
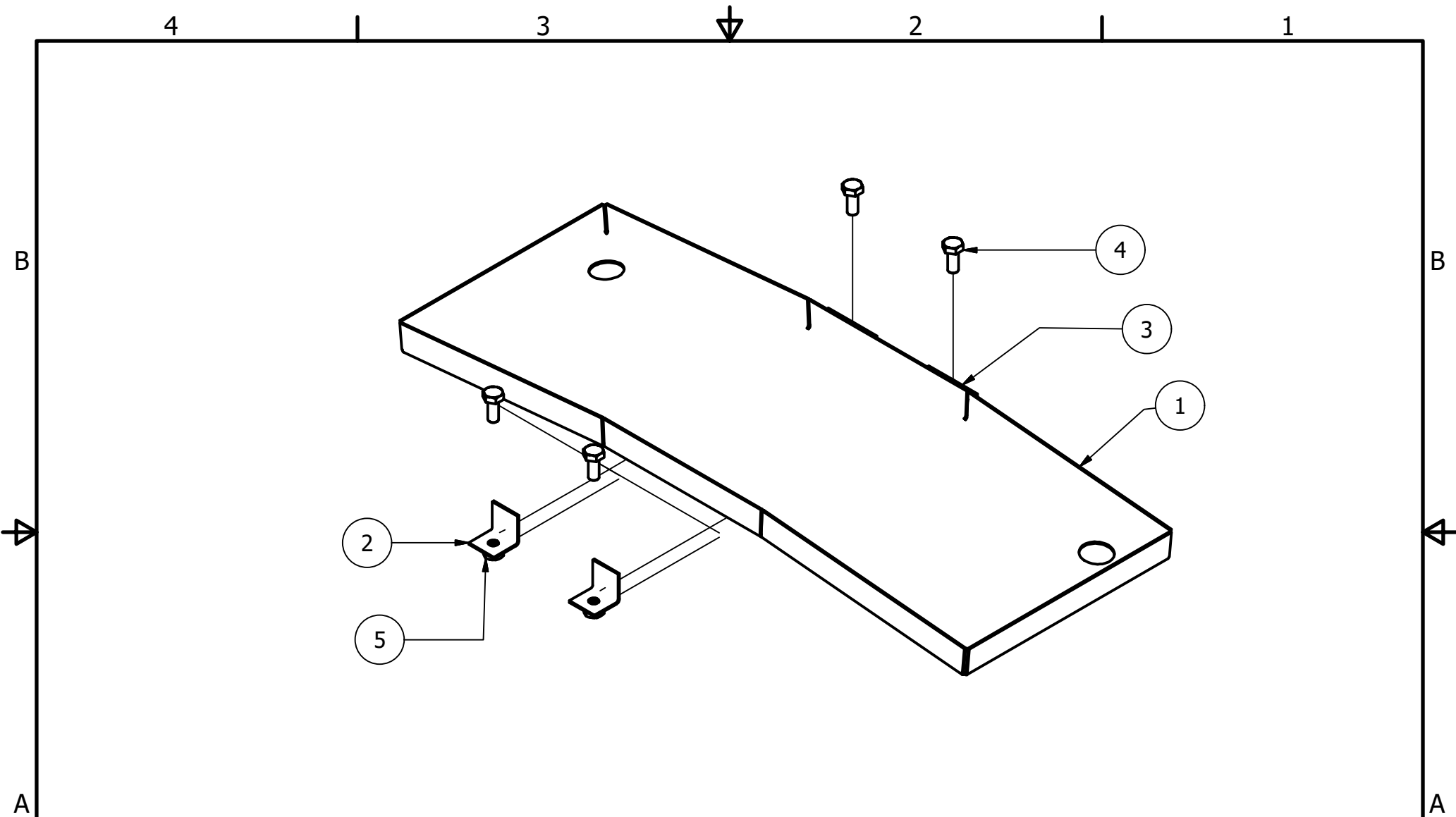

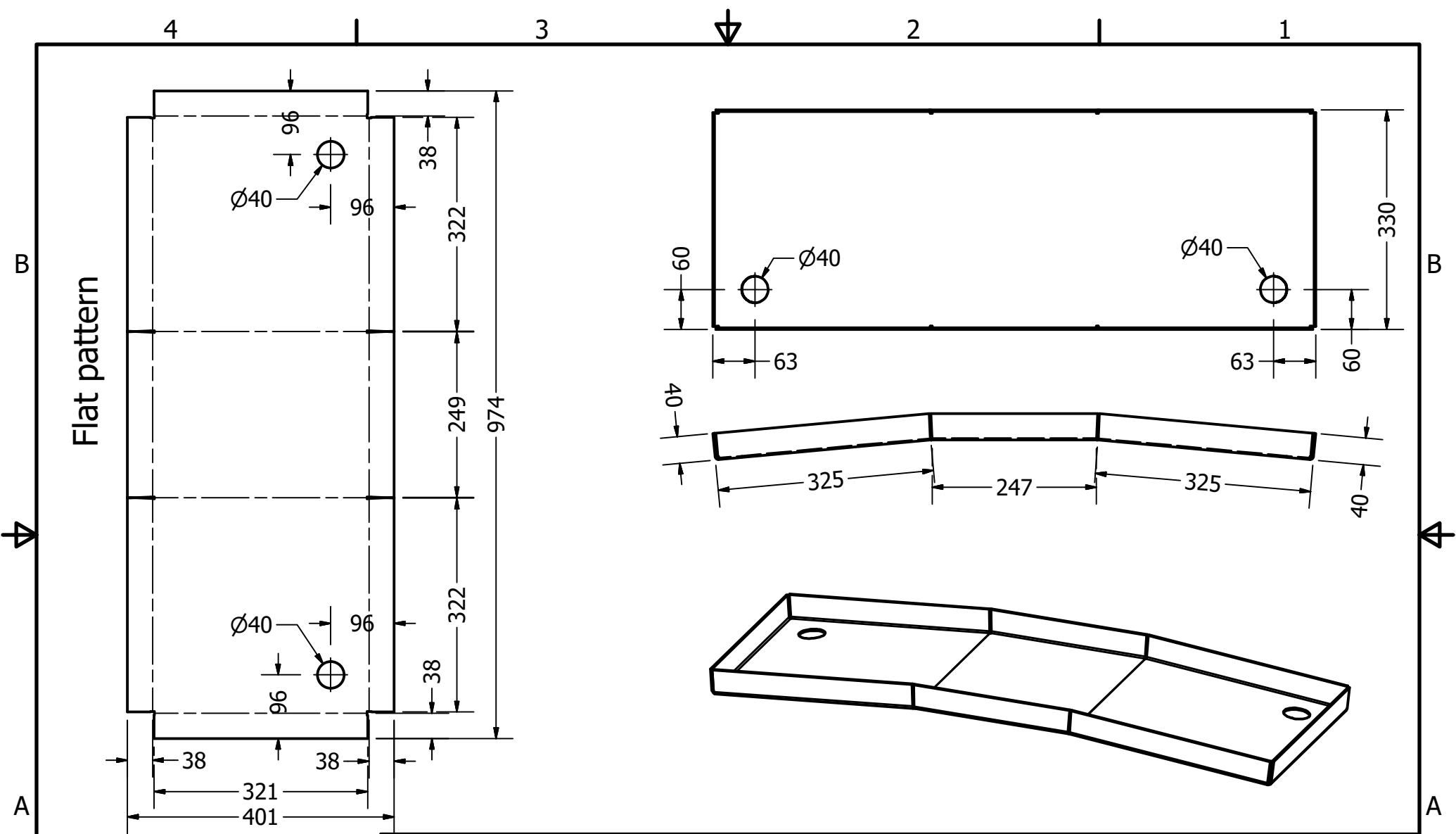



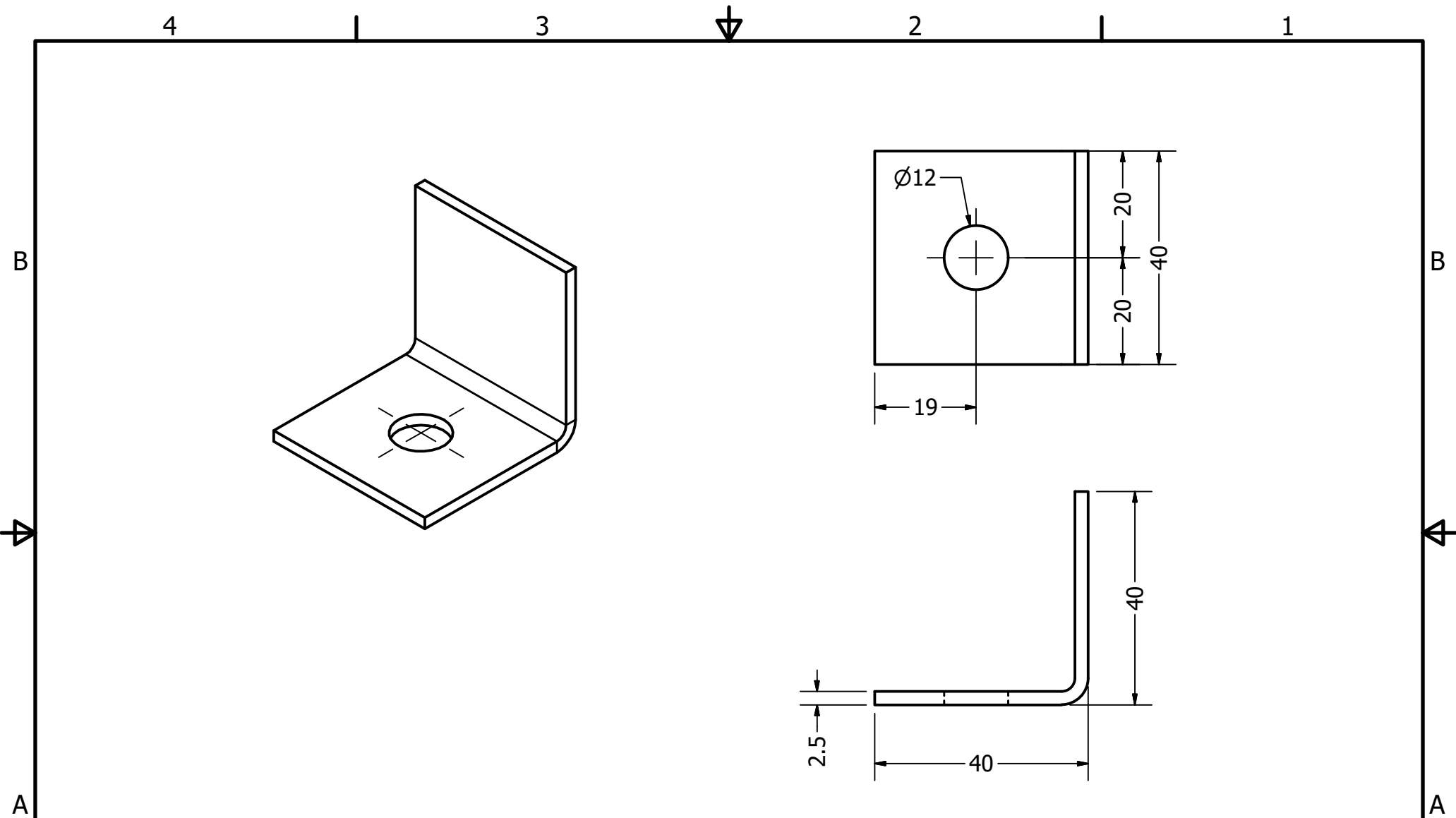
Project SCREW PRESS		Created by D. Mosquera		Approved by D. Jaeger	
Part Name Cage		Part Code 2.0		Document Type ASSEMBLY	
 <p>Open Source Ecology e.V Knobelsdorffstr. 22 14059 Berlin www.ose-germany.de +49 (0) 30 / 92282426</p>	License		File Name oseg_sp_2_cage.iam		Version 1.0
			Scale 1:8		Sheet 13/30




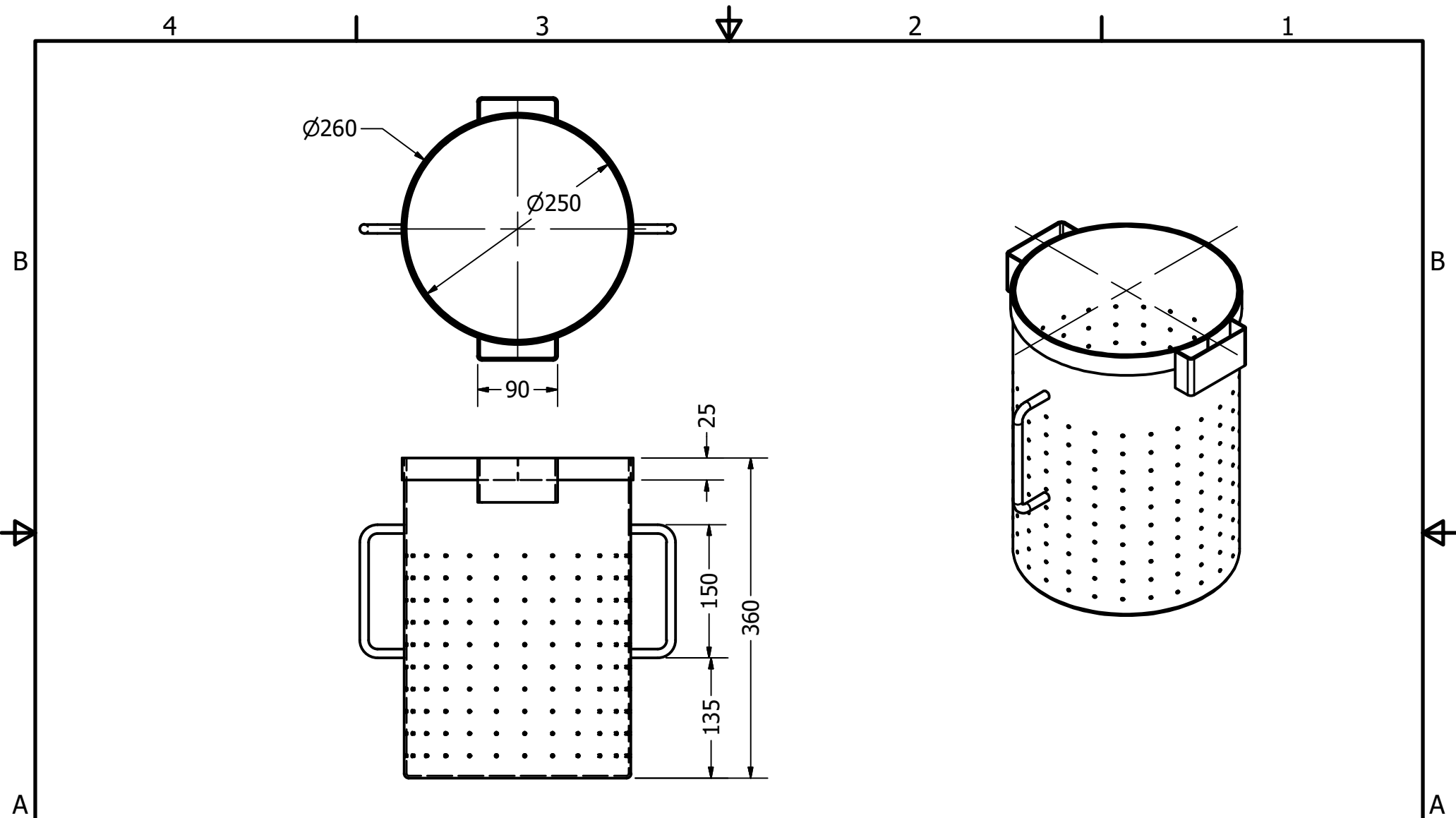
Project		Created by D. Mosquera	Approved by D. Jaeger		
Part Name Cage		Part Code 2.0	Document Type ASSEMBLY	Material	
 <p>Open Source Ecology e.V Knobelsdorffstr. 22 14059 Berlin www.ose-germany.de +49 (0) 30 / 92282426</p>	License	File Name oseg_sp_2_cage.ipn	Version 1.0	Quantity	
			Scale 1:8	Sheet 13/30	Date 14.10.20




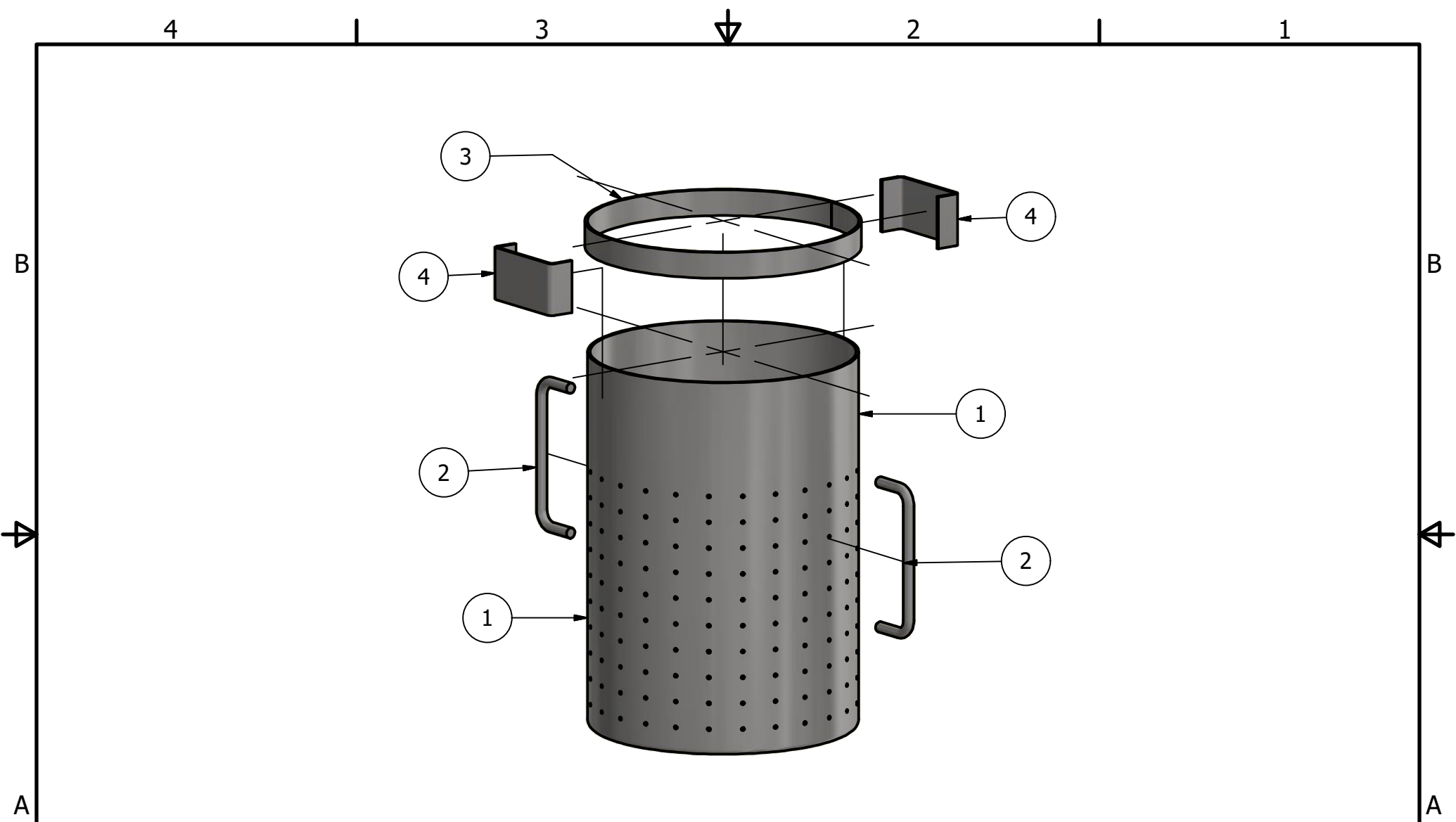
Project SCREW PRESS		Created by D. Mosquera		Approved by D. Jaeger	
Part Name Tray		Part Code 2.1		Document Type PART	
 Open Source Ecology e.V. Knobelsdorffstr. 22 14059 Berlin www.ose-germany.de +49 (0) 30 / 92282426		License		File Name oseg_sp_2.1_tray.ipt	
				Scale 1:8	
				Quantity 1.0	
				Sheet 14/30	
				Date 14.10.20	




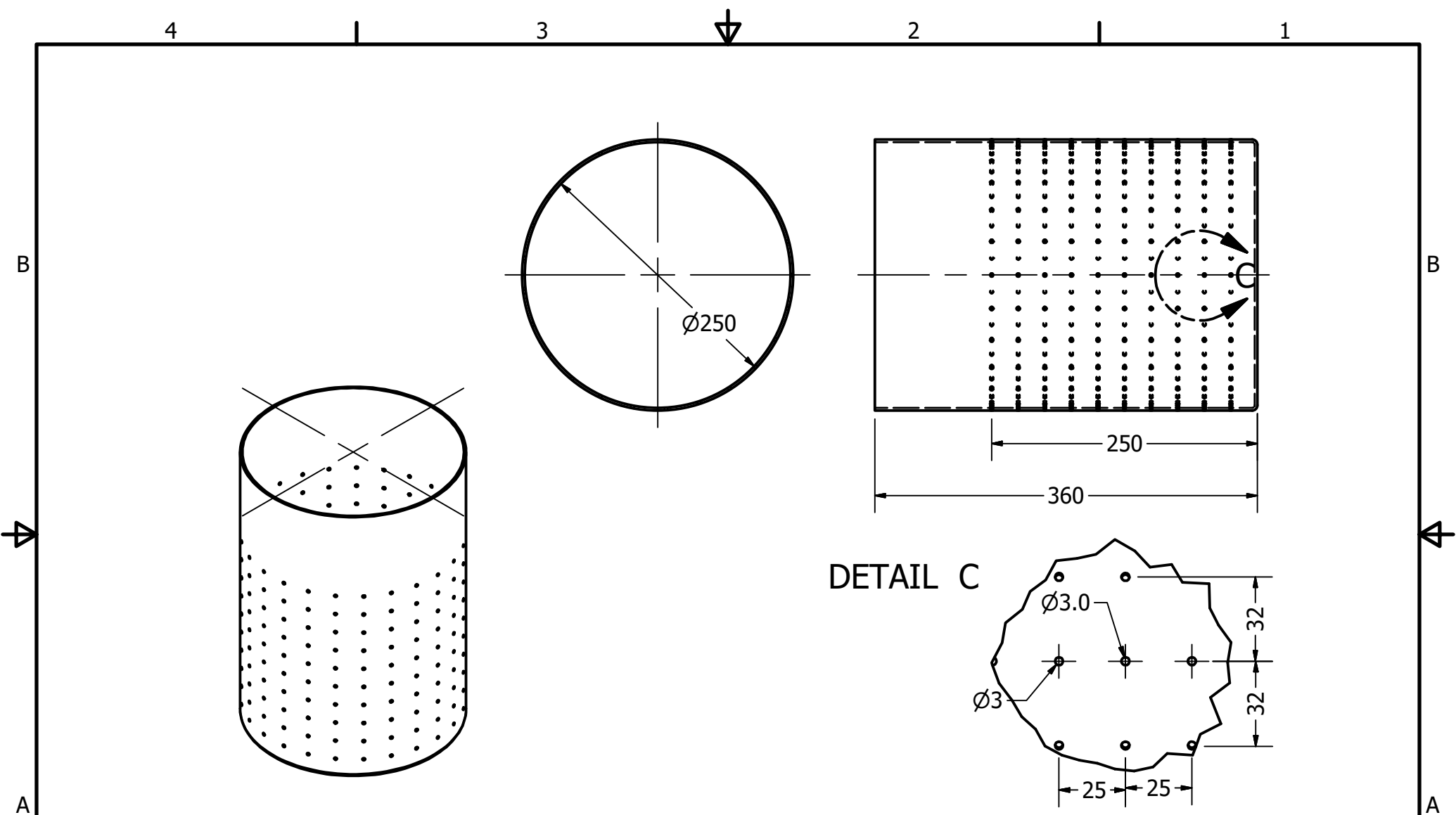
Project	SCREW PRESS	Created by	D. Mosquera			Approved by	D. Jaeger		
Part Name	Fixer	Part Code	2.2	Document Type	PART		Material	Stainless Steel	
 Open Source Ecology e.V. Knobelsdorffstr. 22 14059 Berlin www.ose-germany.de +49 (0) 30 / 92282426	License			File Name	oseg_sp_2.2_fixer.ipt		Version	Quantity	
				Scale	1:1		Sheet	Date	
							15/30	14.10.20	




Project	SCREW PRESS	Created by D. Mosquera	Approved by D. Jaeger		
Part Name	Collecting tray	Part Code 3.0	Document Type ASSEMBLY	Material	
 <p>Open Source Ecology e.V Knobelsdorffstr. 22 14059 Berlin www.ose-germany.de +49 (0) 30 / 92282426</p>	License	File Name oseg_sp_3_collecting-tray.iam	Version 1.0	Quantity	
		Scale 1:6	Sheet 16/30	Date 14.10.20	



Project SCREW PRESS		Created by D. Mosquera		Approved by D. Jaeger	
Part Name Collecting tray		Part Code		Document Type ASSEMBLY	
 Open Source Ecology e.V. Knobelsdorffstr. 22 14059 Berlin www.ose-germany.de +49 (0) 30 / 92282426		License		File Name oseg_sp_3_collecting-tray.iam	
				Scale 1:6	
				Sheet 16/30	
				Date 14.10.20	
				Quantity	



Project	SCREW PRESS	Created by D. Mosquera	Approved by D. Jaeger		
Part Name	Collecting cylinder	Part Code 3.2	Document Type PART	Material Stainless Steel	
 Open Source Ecology e.V. Knobelsdorffstr. 22 14059 Berlin www.ose-germany.de +49 (0) 30 / 92282426	License	File Name oseg_sp_3.1_collecting-cylinder.ipt	Version 1.0	Quantity	
		Scale 1:6	Sheet 17/30	Date 14.10.20	

4

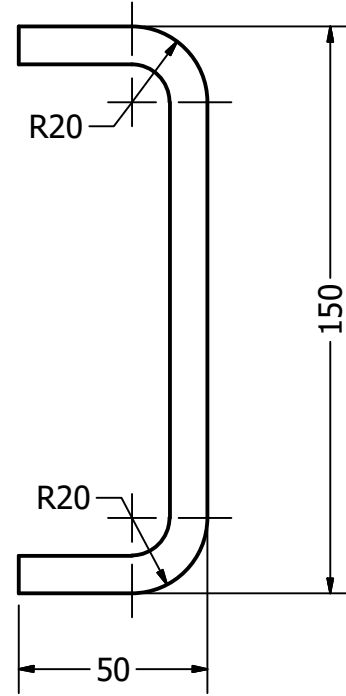
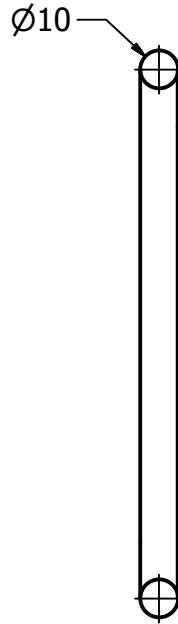
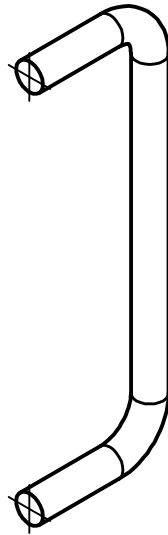
3



2

1

B




B



A

A

Project	SCREW PRESS	Created by D. Mosquera	Approved by D. Jaeger		
Part Name	collector handle	Part Code 3.3	Document Type PART	Material Stainless Steel	
 Open Source Ecology e.V Knobelsdorffstr. 22 14059 Berlin www.ose-germany.de +49 (0) 30 / 92282426	License	File Name oseg_sp_3.2_collector-handle.ipt	Version 1.0	Quantity	
			Scale 1:6	Sheet 18/30	Date 14.10.20

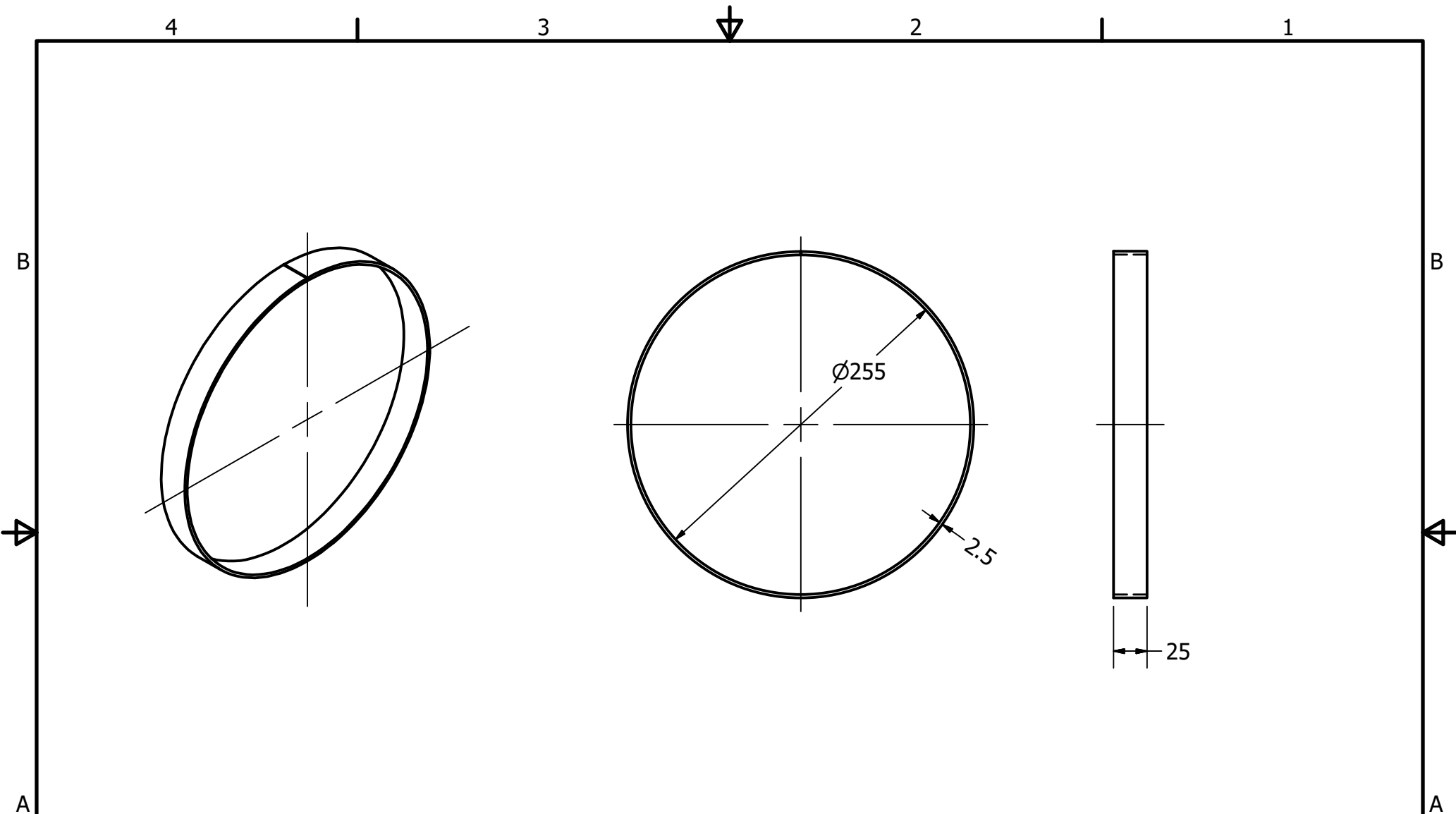
4


3

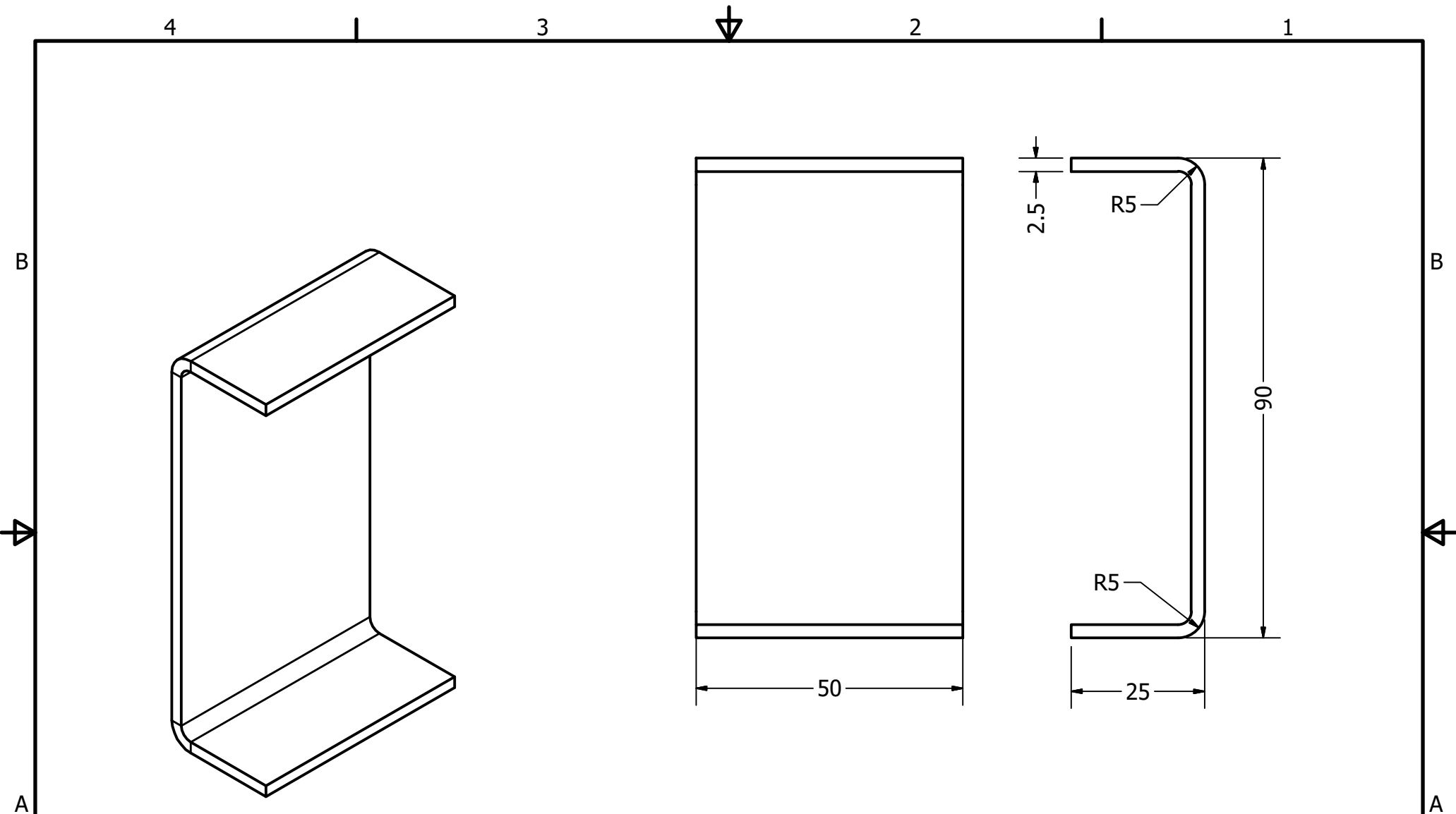



2

1



Project SCREW PRESS		Created by D. Mosquera		Approved by D. Jaeger	
Part Name Edge ring		Part Code 3.4		Document Type PART	
 Open Source Ecology e.V Knobelsdorffstr. 22 14059 Berlin www.ose-germany.de +49 (0) 30 / 92282426		License		File Name oseg_sp_3.3_edge-ring.ipt	
				Scale 1:4	
				Version 1.0	
				Quantity	
				Sheet 19/30	
				Date 14.10.20	



Project SCREW PRESS		Created by D. Mosquera		Approved by D. Jaeger	
Part Name Centering device		Part Code 1.9	Document Type PART		Material Stainless Steel
 OPEN SOURCE ECOLOGY GERMANY	Open Source Ecology e.V Knobelsdorffstr. 22 14059 Berlin www.ose-germany.de +49 (0) 30 / 92282426		License		File Name oseg_sp_3.4_centering-device.ipt
					Scale 1:6
				Sheet 20/30	Date 14.10.20