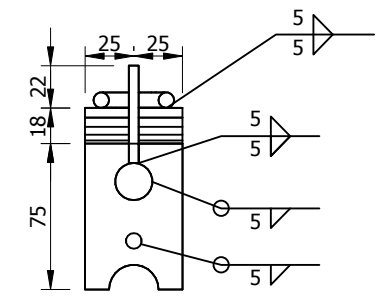
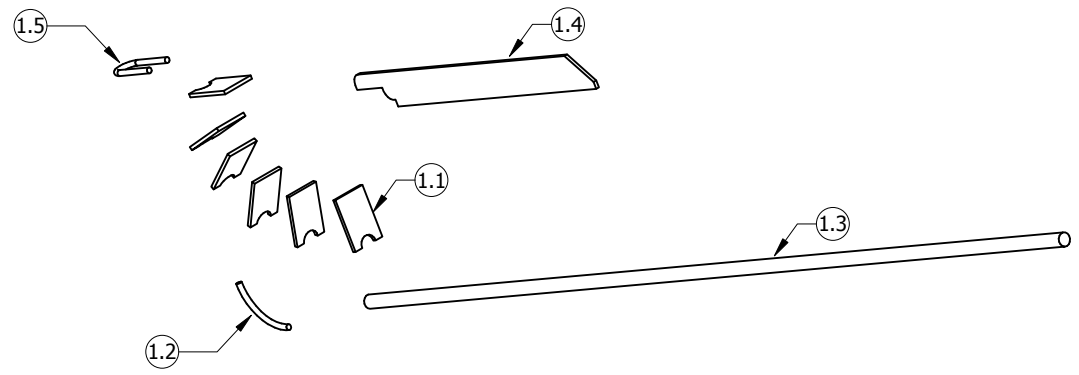


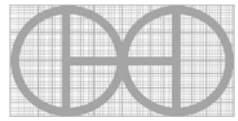
A (1:5)



A-A (1:5)



Note: All units in mm.

PROJECT	CREATED BY	APPROVED BY	DATE	VERSION
Pipe Bending Tool	J. Laffont	A. Morillo	14/06/2021	1.0
PART NAME	FILE NAME			POS
Bending arm	Pipe Bending Tool			1.0
DEVELOPED BY	REDESIGNED BY	DOC. TYPE	MATERIAL	QUANTITY
		Assembly		1
Pratical action	OHO e.V.	LICENCE	SCALE	SHEET
		CC-BY-SA 4.0	1/10	4/12