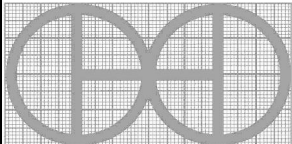
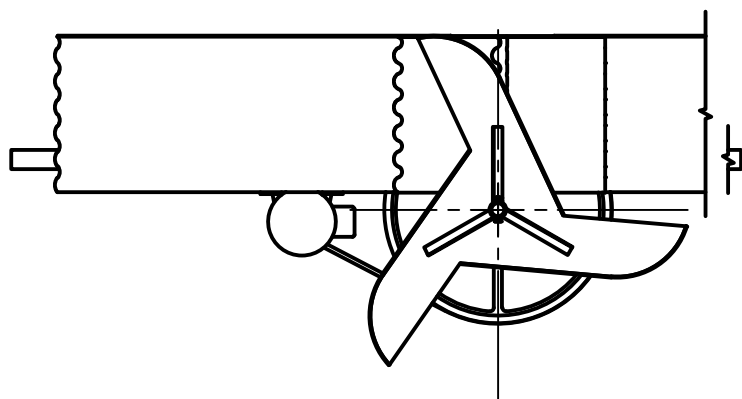
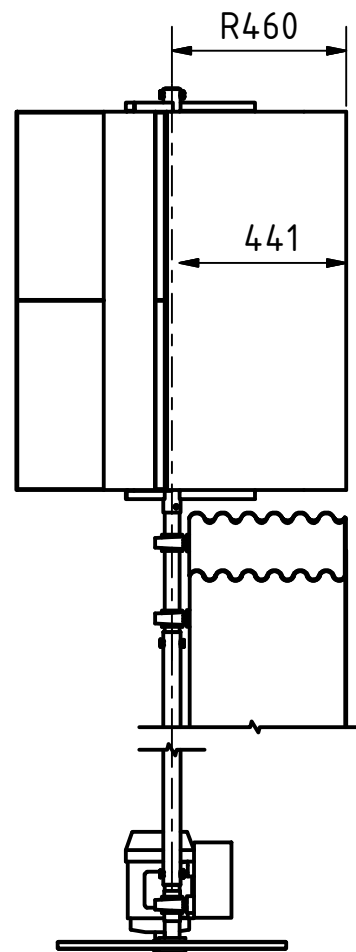
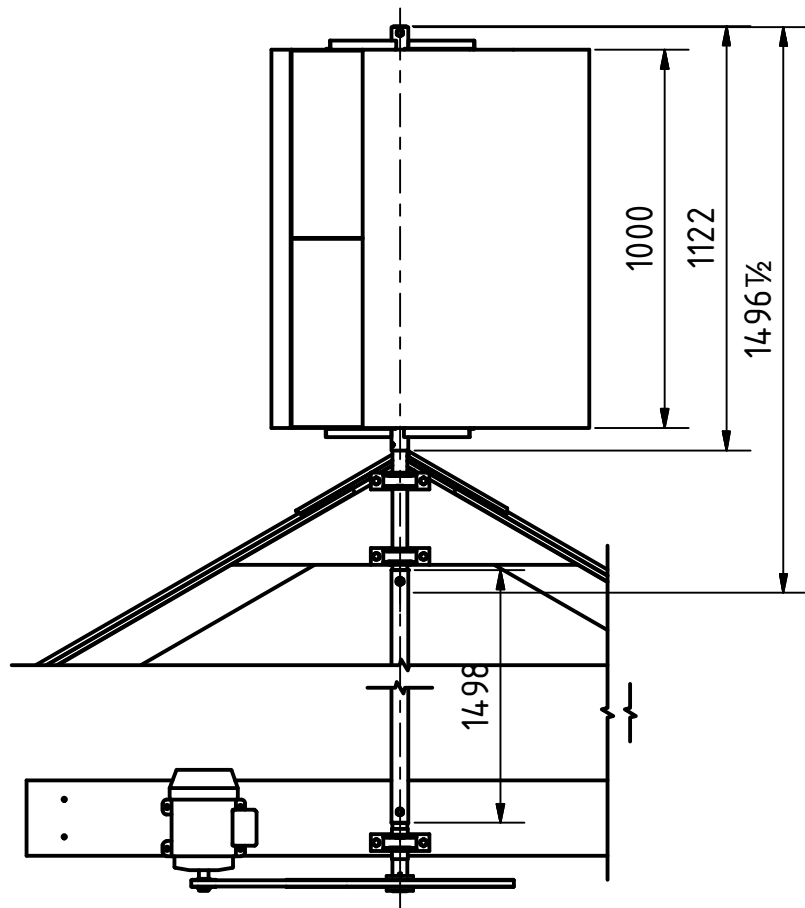
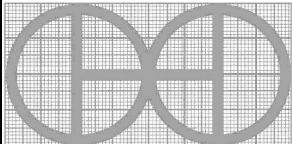


PROJECT	CREATED BY	APPROVED BY	DATE	VERSION
Sovonius rotor 1m diameter	D.MOSQUERA	A. MORILLO	22/10/2021	1.0
PART NAME	FILE NAME			POS
3D views	oho_sr1d_A1-savonius-rotor-1m-diameter.iam			A1
DEVELOPED BY	REDESIGNED BY	DOC. TYPE	MATERIAL	QUANTITY
Josef Hagmann, Austria		Assembly		1
		LICENCE	SCALE	SHEET
		CC-BY-SA 4.0	1:20	1 / 17



PROJECT	CREATED BY	APPROVED BY	DATE	VERSION
Sovonius rotor 1m diameter	D.MOSQUERA	A. MORILLO	22/10/2021	1.0
PART NAME	FILE NAME			POS
3D views	oho_sr1d_A1-savonius-rotor-1m-diameter.ipn			A1
DEVELOPED BY	REDESIGNED BY	DOC. TYPE	MATERIAL	QUANTITY
Josef Hagmann, Austria		Assembly		1
		LICENCE	SCALE	SHEET
		CC-BY-SA 4.0	1:20	2 / 17

OHO e.V.