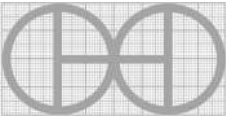
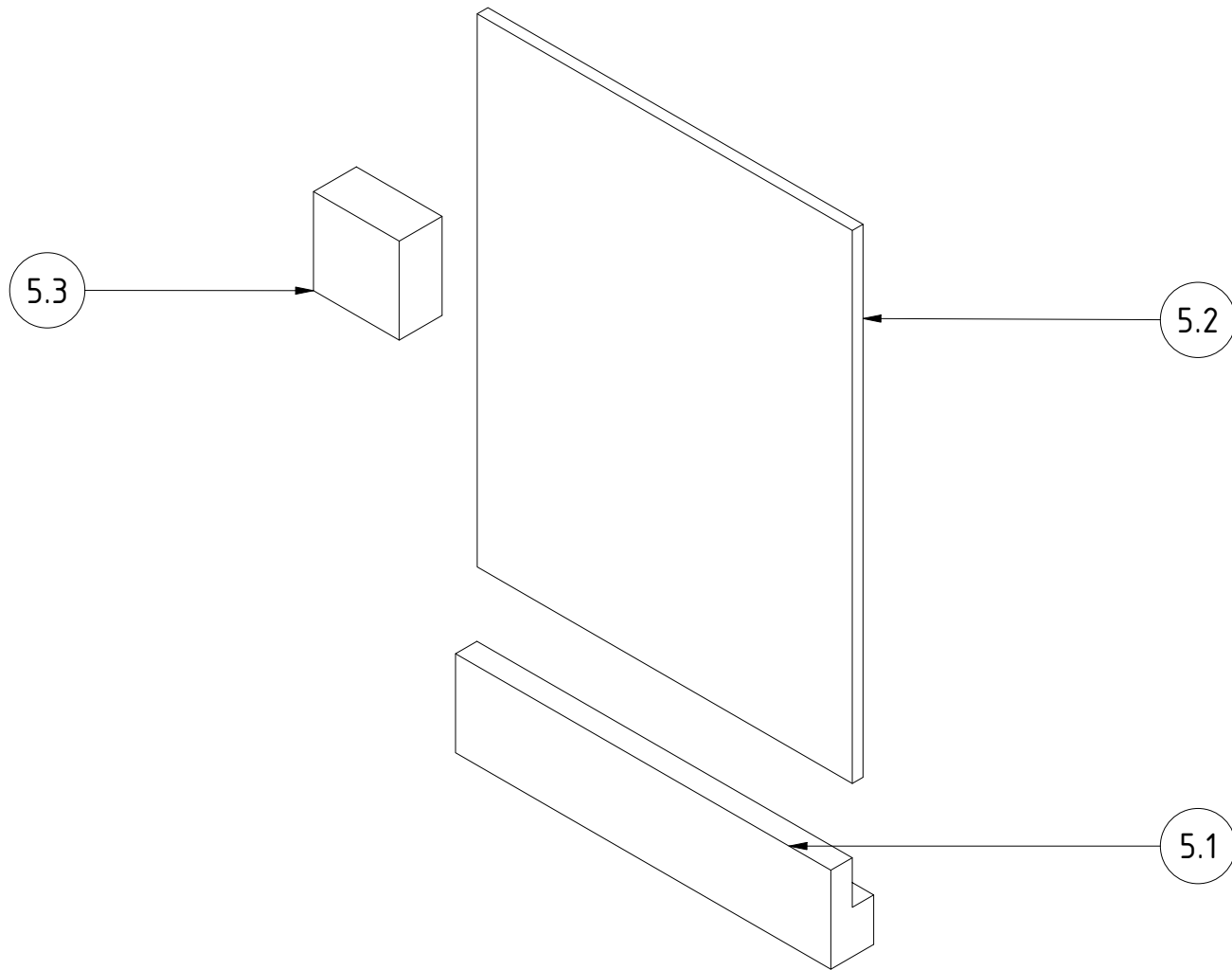
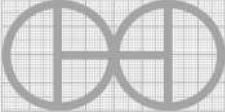


Note: All units in mm.

PROJECT	CREATED BY	APPROVED BY	DATE	VERSION
Hay and Leaf Baler	J. Rosciano	A. Morillo	10/08/2021	1.1
PART NAME	FILE NAME			POS
Door assembly	5.0_Door assembly.iam			5.0
DEVELOPED BY	REDESIGNED BY	DOC. TYPE	MATERIAL	QUANTITY
Larry McWilliams	 OHO e.V.	Assembly		1
		LICENCE	SCALE	SHEET
		CC-BY-SA 4.0	1/6	31 /44



PROJECT	CREATED BY	APPROVED BY	DATE	VERSION
Hay and Leaf Baler	J. Rosciano	A. Morillo	10/08/2021	1.1
PART NAME	FILE NAME			POS
Door assembly	5.0_Door assembly.ipn			5.0
DEVELOPED BY	REDESIGNED BY	DOC. TYPE	MATERIAL	QUANTITY
		Assembly		1
Larry McWilliams	OHO e.V.	LICENCE	SCALE	SHEET
		CC-BY-SA 4.0	1/6	32 /44