
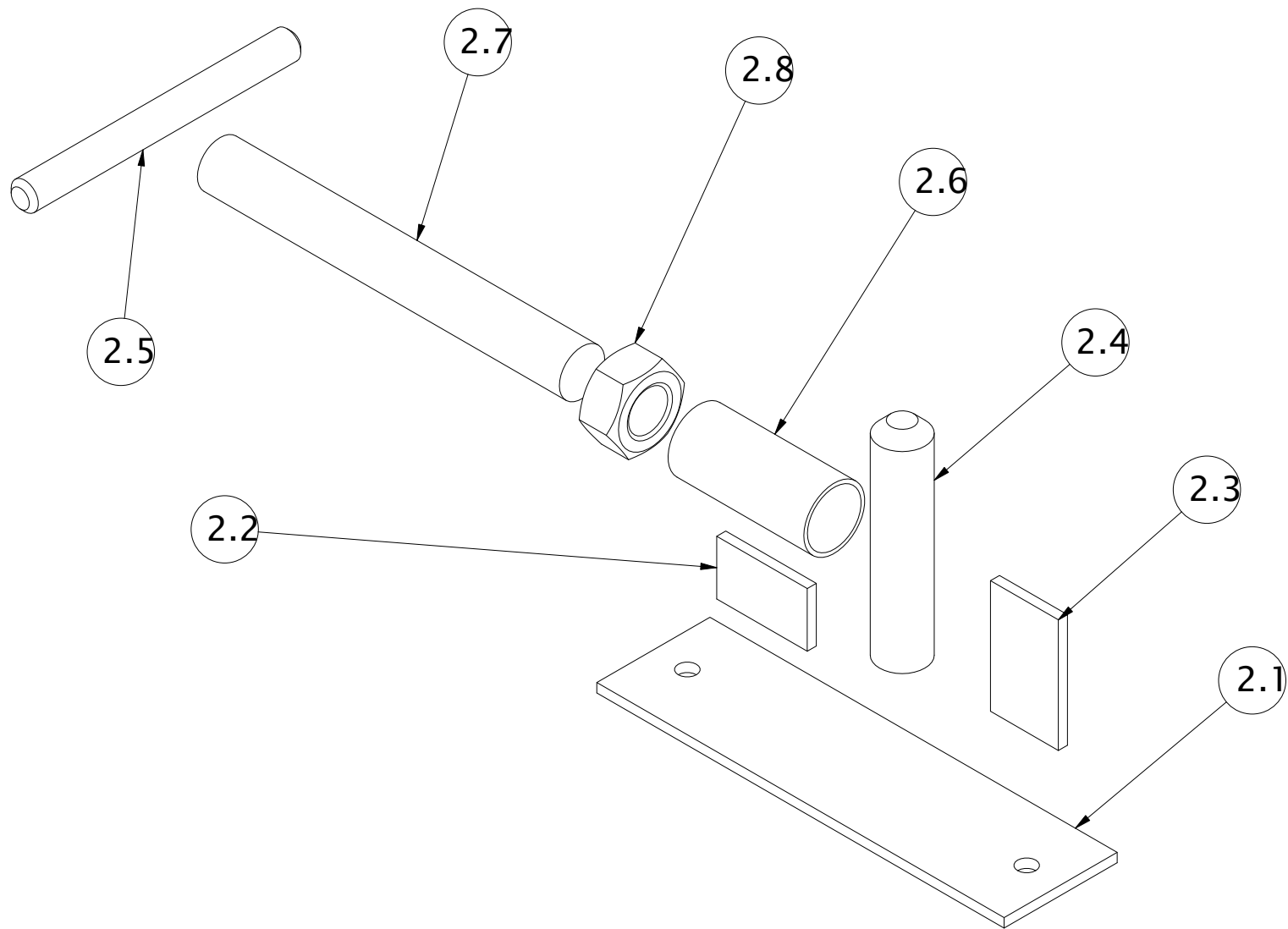



C (2 : 3)

Note: All units in mm.

PROJECT	CREATED BY	APPROVED BY	DATE	VERSION
Wheel Jig	J. Rosciano	A. Morillo	25/06/2021	1.0
PART NAME	FILE NAME			POS
Rim clamp	2.0_Rim clamp.iam			2.0
DEVELOPED BY	REDESIGNED BY	DOC. TYPE	MATERIAL	QUANTITY
		Assembly		8
		LICENCE	SCALE	SHEET
Practical Action	OHO e.V.	CC-BY-SA 4.0	1/3	11 /22



Note: All units in mm.

PROJECT	CREATED BY	APPROVED BY	DATE	VERSION
Wheel Jig	J. Rosciano	A. Morillo	25/06/2021	1.0
PART NAME	FILE NAME			POS
Rim clamp	2.0_Rim clamp.ipn			2.0
DEVELOPED BY	REDESIGNED BY	DOC. TYPE	MATERIAL	QUANTITY
		Assembly		1
Practical Action	OHO e.V.	LICENCE	SCALE	SHEET
		CC-BY-SA 4.0	1/2	12 /22