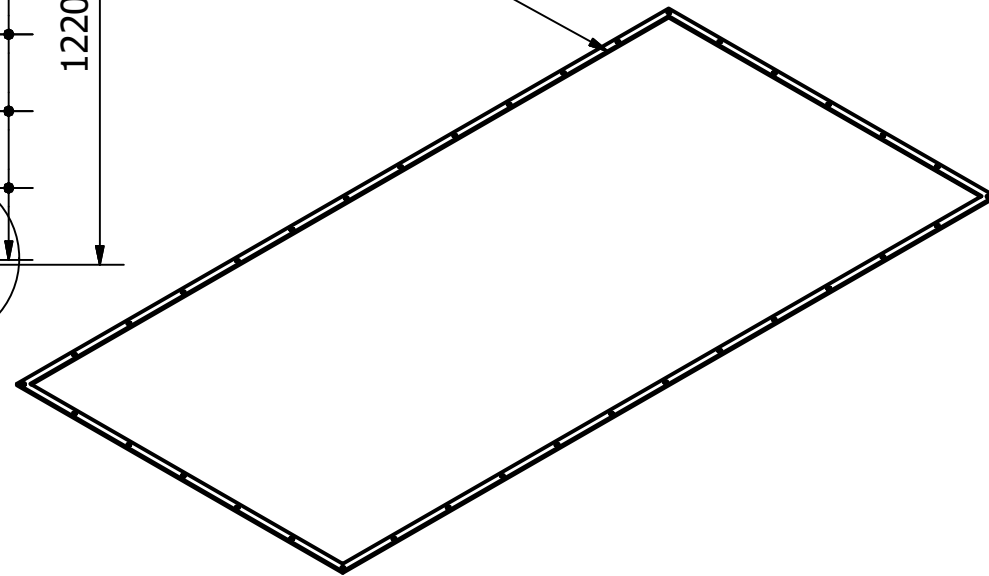
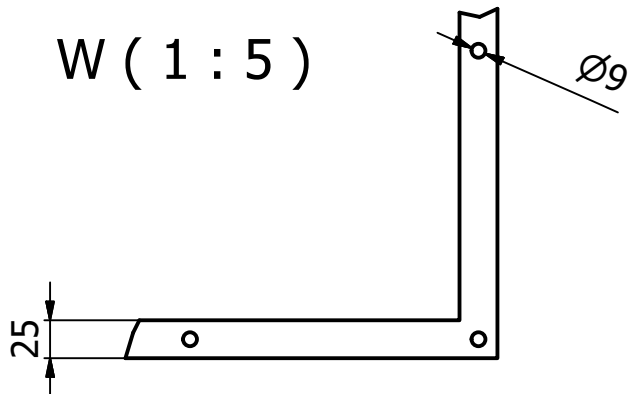



THICKNESS 4



W (1 : 5)



PROJECT		CREATED BY	APROVED BY			
Solar Heater		A. MORILLO	D. JAEGER			
PART NAME		PART CODE	DOCUMENT TYPE	MATERIAL		
seal		1.6.0	PART	RUBBER		
DEVELOPED BY	REDESIGNED BY	LICENCE	FILE NAME	VERSION	QUANTITY	
OpenSource LowTech.org	 <small>OPEN SOURCE ECOLOGY GERMANY</small>	CERN-OHL	seal.ipt	1.0	1	
				SCALE	SHEET	DATE
				1:20	10 / 15	8/12/2020