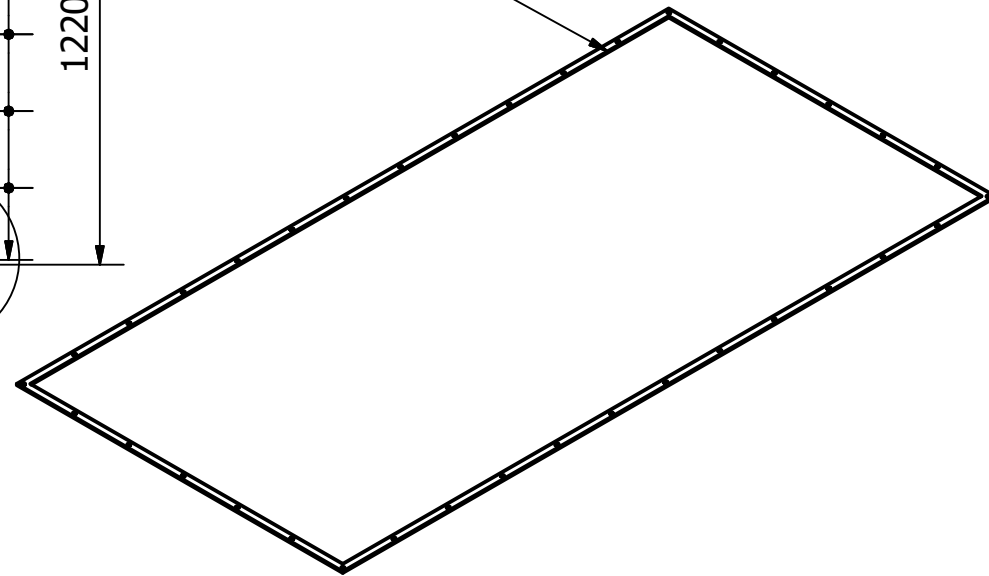
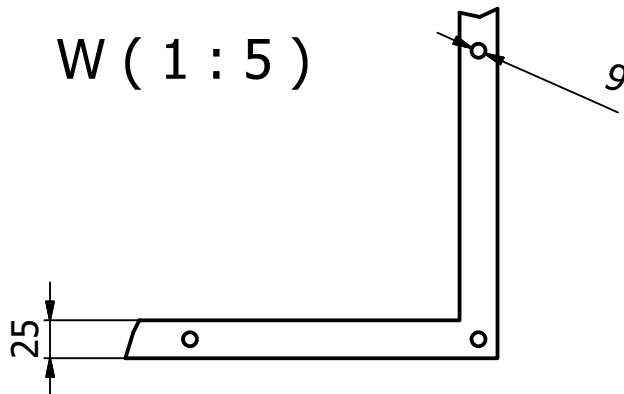



THICKNESS 4



W ( 1 : 5 )



PROJECT		CREATED BY	APROVED BY		
Solar Heater		A. MORILLO	D. JAEGER		
PART NAME		PART CODE	DOCUMENT TYPE	MATERIAL	
seal		1.6.0	PART	RUBBER	
DEVELOPED BY	REDESIGNED BY	LICENCE	FILE NAME	VERSION	QUANTITY
OpenSource LowTech.org	 OPEN SOURCE ECOLOGY GERMANY	CERN-OHL	seal.ipt	1.0	1
				SCALE	SHEET
			1:20	10 / 15	8/12/2020