
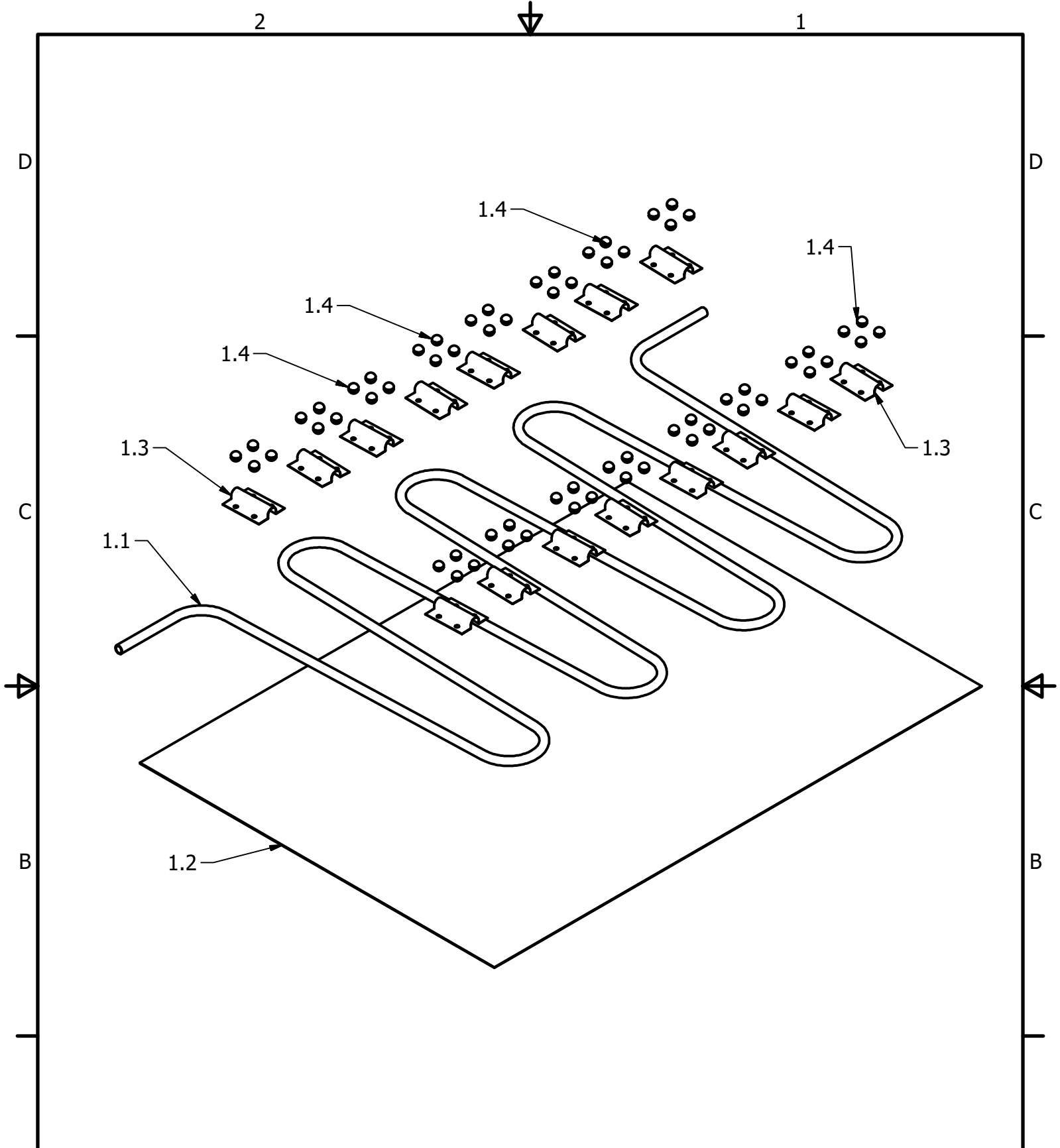

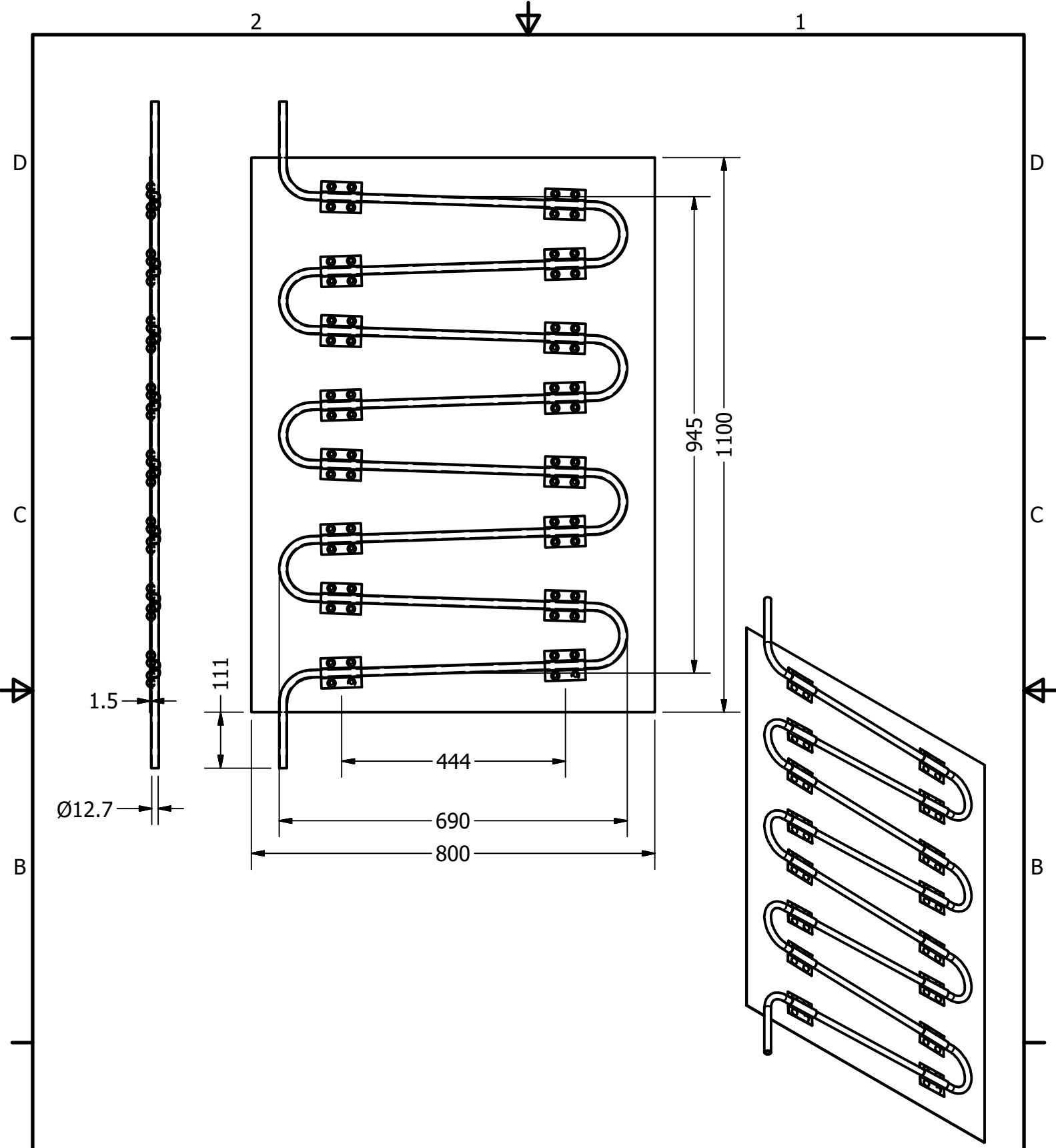



Project Zigzag Solar Water Heater		Created by D. Mosquera		Approved by D. Jeager	
Part Name absorber collector		Part Code 1		Document Type assembly	
Redesigned by  OPEN SOURCE ECOLOGY GERMANY		Original drawing from WOT University of Twente		License CC-BY-SA	
				File Name oseg_zswh_absorber-collector.iam	
				Version 1.0	
				Quantity 3	
				Scale 1 / 12	
				Sheet 6	
				Date 10.02.21	



Proyect Zigzag Solar Water Heater		Created by D. Mosquera		Approved by D. Jeager	
Part Name absorber		Part Code 1	Document Type assembly		Material
Redesigned by  OPEN SOURCE ECOLOGY GERMANY	Original drawing from WOT University of Twente	License CC-BY-SA	File Name oseg_zswH_Absorber.iam		Version 1.0
			Scale 1 / 8	Sheet 8	Quantity 1
				Date 10.02.21	



Proyect Zigzag Solar Water Heater		Created by D. Mosquera		Approved by D. Jeager	
Part Name absorber		Part Code 1		Document Type assembly	
Redesigned by  OPEN SOURCE ECOLOGY GERMANY		Original drawing from WOT University of Twente		License CC-BY-SA	
				File Name oseg_zswH_Absorber.iam	
				Version 1.0	
				Quantity 1	
				Scale 1 / 10	
				Sheet 7	
				Date 10.02.21	