
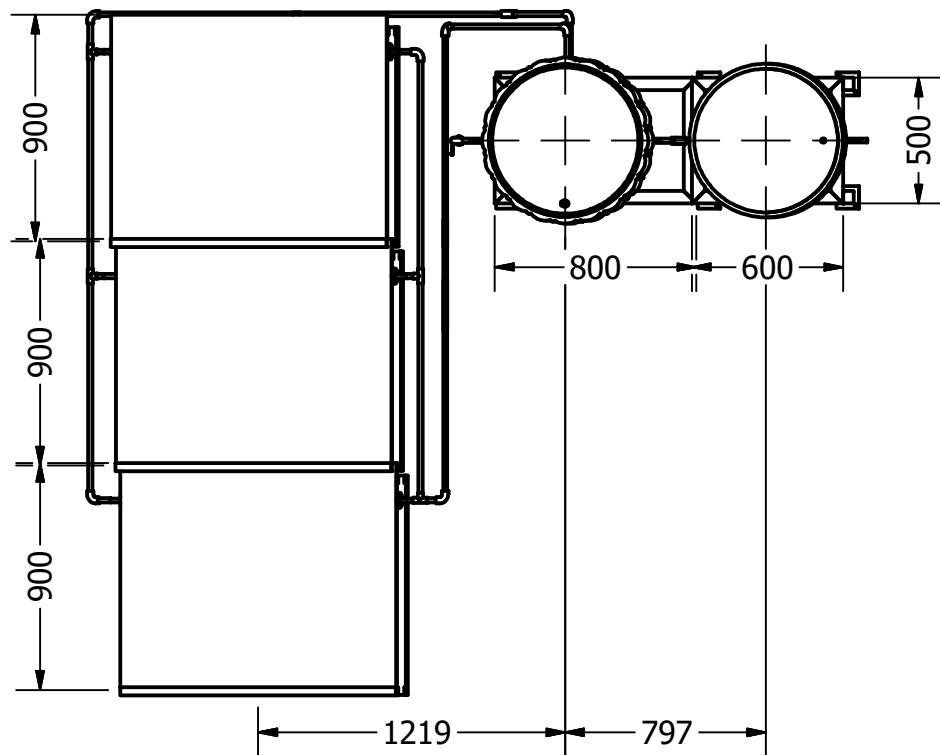
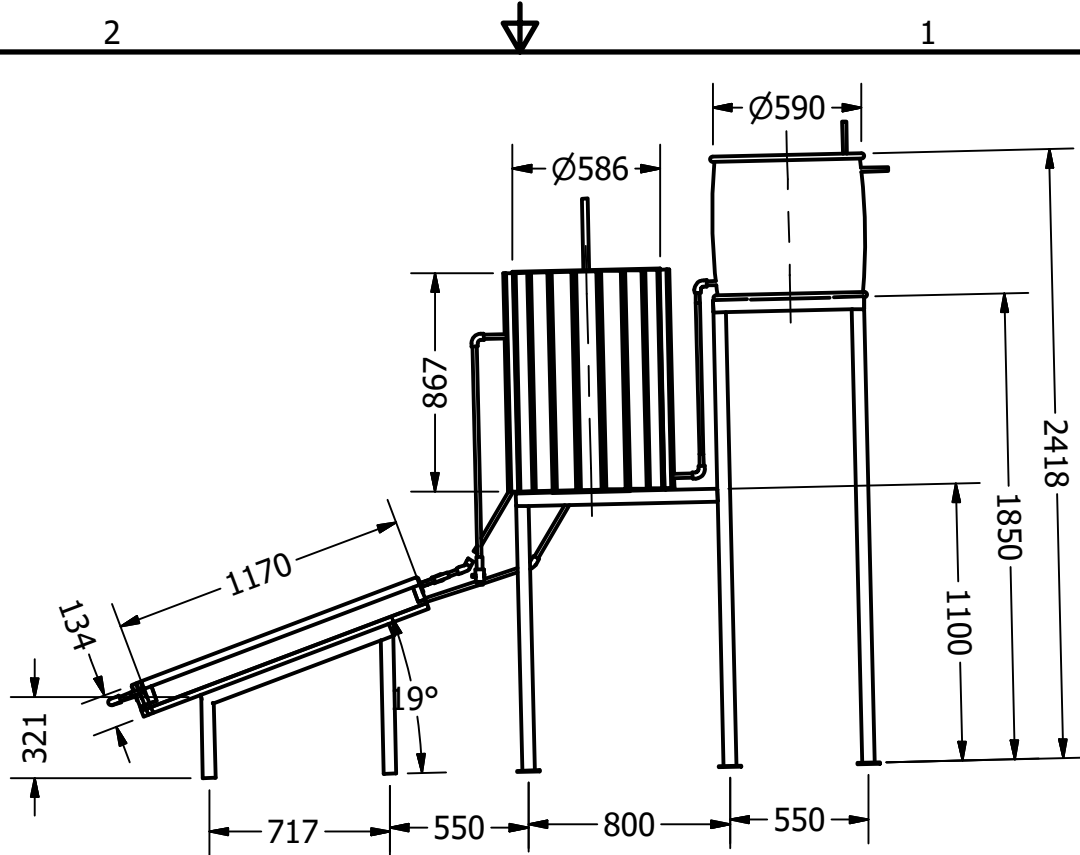

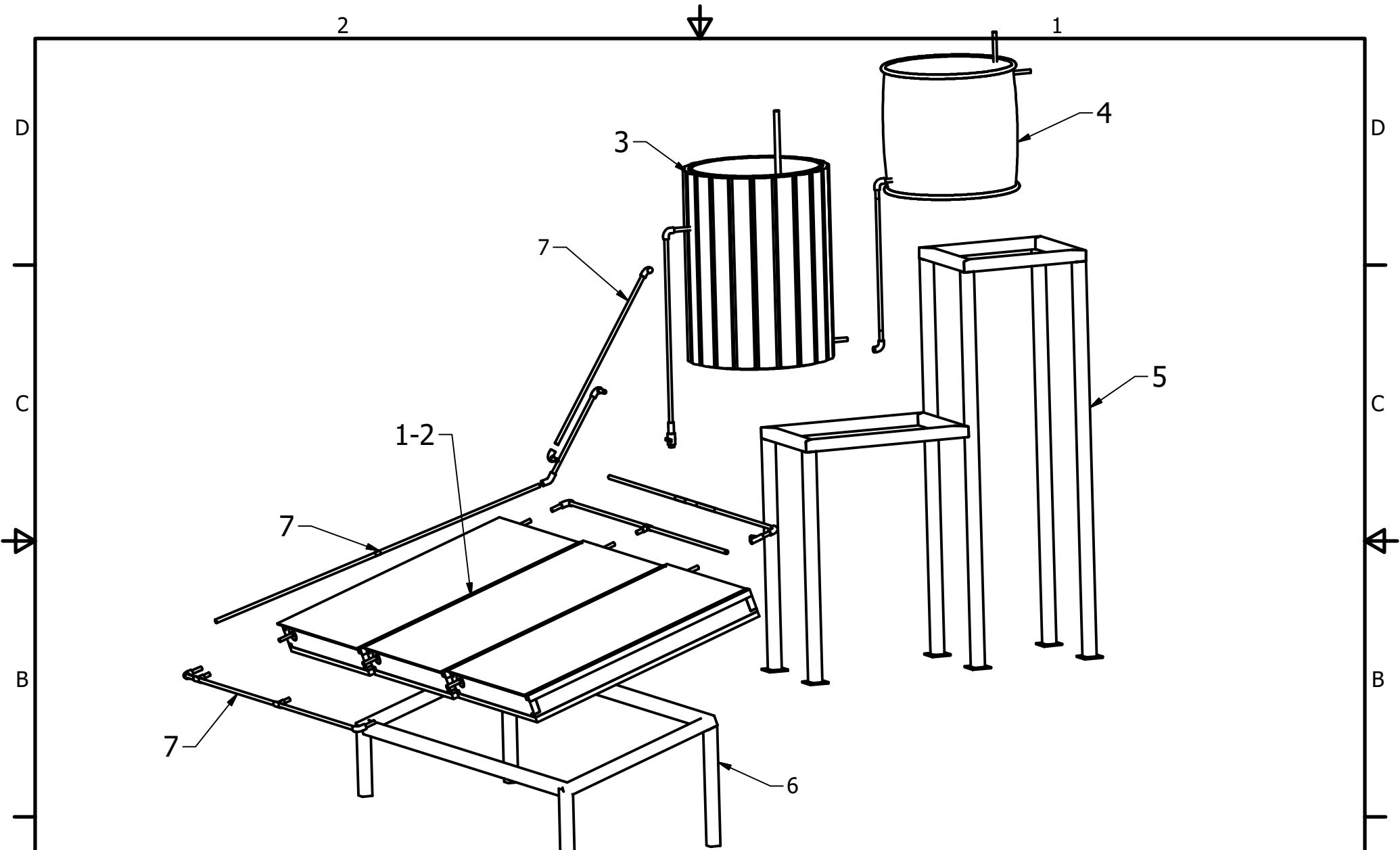



Proyect Zigzag Solar Water Heater		Created by D. Mosquera		Approved by D. Jeager	
Part Name zigzag solar water heater		Part Code A1		Document Type ASSEMBLY	
Redesigned by  OPEN SOURCE ECOLOGY GERMANY		Original drawing from WOT University of Twente		License CC-BY-SA	
		File Name oseg_zswH_A1_zigzag-solar-water-heater		Version 1.0	
		Scale 1:15		Quantity 1	
				Date 10.02.21	
				Sheet 1	



Project Zigzag Solar Water Heater		Created by D. Mosquera		Approved by D. Jeager		
Part Name zigzag solar water heater		Part Code A1		Document Type assembly		Material
Redesigned by  OPEN SOURCE ECOLOGY GERMANY	Original drawing from WOT University of Twente	License CC-BY-SA oseg_zswh_A1_zigzag-solar-water-heater.iam1.0		File Name oseg_zswh_A1_zigzag-solar-water-heater.iam1.0	Version 1.0	Quantity 1
				Scale 1 / 30	Sheet 2	Date 10.02.21



Proyect Zigzag Solar Water Heater		Created by D. Mosquera		Approved by D. Jeager	
Part Name zigzag solar water heater		Part Code A2		Document Type ASSEMBLY	
Redesigned by  OPEN SOURCE ECOLOGY GERMANY		Original drawing from WOT University of Twente		File Name oseg_zsw_h_A1_zigzag-solar-water-heater.ipn	
		License CC-BY-SA		Version 1.0	
		Scale 1:10		Quantity 1	
				Date 10.02.21	
				Sheet 3	

2



1

Pos.	Pos. old	Qty.	Part name	File name (new)	Part type	Specifications	Sh.
A1			zigzag solar water heater	oseg_zswh_A1_zigzag-solar-water-heater.iam	production		1
			zigzag solar water heater		Assembly		2
B			Part list	oseg_zswh_B_parts-list.	parts list		3
1	2.1	3	The Absorber	oseg_zswh_Absorber.iam	Production		
1.1	2.1.1	3	1/2" galvanised pipe	oseg_zswh_zig-zag-1/2"-galvanised-pipe.ipt	Production		
1.2	2.1.4	3	galvanised sheet	oseg_zswh_galvanised-sheet.ipt	Production		
1.3		48	saddles	oseg_zswh_saddles.ipt	Production		
1.4		180	rivets 9,4 x 18	9,4 x 18 x 0,3 - SV 34.ipt	Standard	rivets 9,4 x 18 expand	
2	2.2	3	collector-box	oseg_zswh_collector-box.iam	Production		
2.1		6	sides planks	oseg_zswh_sides-planks.ipt	Production		
2.2		6	front planks	oseg_zswh_front-planks.ipt	Production		
2.3		6	supporting laths	oseg_zswh_supporting-laths.ipt	Production		
C	2.4	3	bottom plank	oseg_zswh_bottom-plank.ipt	Production		
2.5		3	insulating material	oseg_zswh_insulating-material.ipt	Production	empty bags of fibre with sawdust, Coconut-fibre, glass-wool or any kind of other insulating material.	
2.6		3	cover glass	oseg_zswh_cover-glass.ipt	Production		
2.7		8	rubber strip	oseg_zswh_rubber-strip.ipt	Production		
B	2.8	3	angle section	oseg_zswh_angle-section.ipt	production	Angle section aluminum 25x25x3; L: 1180	
3	3	1	insulated storage tank	oseg_zswh_insulated-storage-tank.iam	Production		
3.1		1	storage tank	oseg_zswh_storage-tank.ipt	Standard	2000-litredrum	
3.2		4	galvanised pipe 1/2"	oseg_zswh_galvanised pipe 1/2"x150.ipt	production		
3.3		2	galvanised pipe 3/4"	oseg_zswh_galvanised pipe 3/4"x300.ipt	production		
3.4		1	insulating material	oseg_zswh_insulating-material.ipt	Production		

Project
Zigzag Solar Water Heater

Created by
D. Mosquera

Approved by
D. Jeager

Part Name
zigzag solar water heater

Part Code
B

Document Type
part-list

Material

Redesigned by

Original drawing from

License
CC-BY-SA

File Name
oseg_zswh_A1_zigzag-solar-water-heater

Version
1.0

Quantity
1



WOT
University of
Twente

Scale

Sheet

4

Date

10.02.21

2




1

2



1

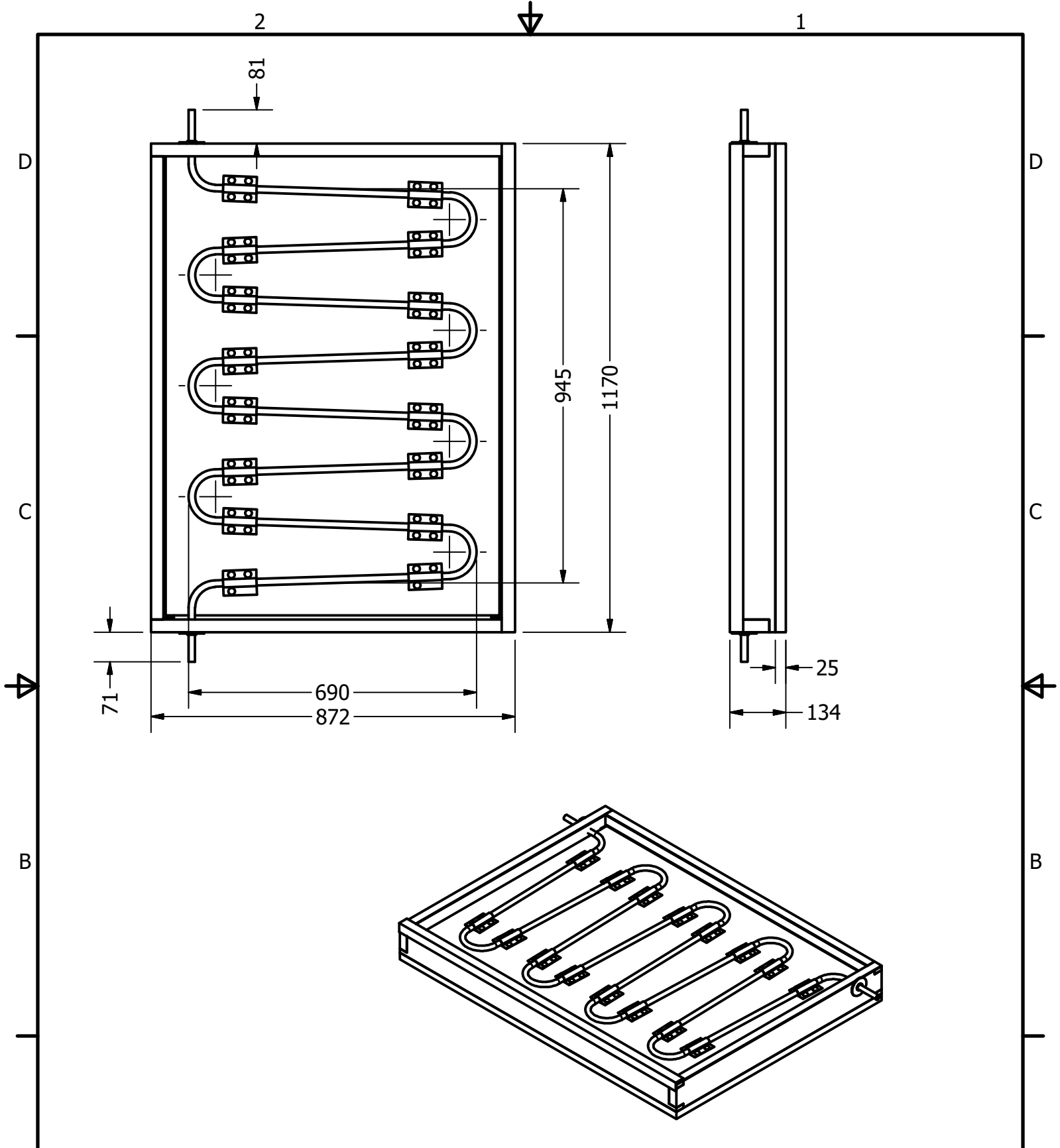
Pos.	Pos. old	Qty.	Part name	File name (new)	Part type	Specifications	Sh.
4	4		the buffer tank	oseg_zswh_the-buffer-tank.iam	production		
D 4.1		1	storage tank	oseg_zswh_storage-tank.ipt	Standard	half 2000-litre drum	D
4.2		3	galvanised pipe 1/2"	oseg_zswh_galvanised-pipe-1/2"x150.ipt	production		
4.3		1	floating gauge	oseg_zswh_floating-gauge.ipt	Standard		
5		1	foundation storage tank	oseg_zswh_foundation-structure.iam	production		
5.1		4	steel-pipe 50x50x500	oseg_zswh_steel-pipe 50x50x500.ipt	production		
5.2		2	steel-pipe 50x50x600	oseg_zswh_steel-pipe 50x50x600.ipt	production		
5.3		2	steel-pipe 50x50x800	oseg_zswh_steel-pipe 50x50x800.ipt	production		
C 5.4		2	steel-pipe 50x50x1050	oseg_zswh_steel-pipe 50x50x1050.ipt	production		C
5.5		4	steel-pipe 50x50x1800	oseg_zswh_steel-pipe 50x50x1800.ipt	production		
5.6		6	rectangular flancher	oseg_zswh_rectangular-flancher.ipt	production		
6		1	base collector	oseg_zswh_base-collector.iam	production		
➔ 6.1		2	steel-pipe 50x50x330	oseg_zswh_steel-pipe 50x50x330.ipt	production		➔
6.2		2	steel-pipe 50x50x600	oseg_zswh_steel-pipe 50x50x600.ipt	production		
6.3		2	steel-pipe 50x50x800	oseg_zswh_steel-pipe 50x50x800.ipt	production		
6.4		2	steel-pipe 50x50x2300	oseg_zswh_steel-pipe 50x50x2300.ipt	production		
B 7			pipe fitting and accesories				B
7.1		6	galvanised pipe 1/2" x 450	oseg_zswh_galvanised-pipe-1/2"x450.ipt	Standard		
7.2		3	galvanised pipe 1/2" x 600	oseg_zswh_galvanised-pipe-1/2"x600.ipt	Standard		
7.3		2	galvanised pipe 1/2" x 830	oseg_zswh_galvanised-pipe-1/2"x830.ipt	Standard		
7.4		10	galvanised elbow 1/2"-90°	oseg_zswh_galvanised-elbow-1/2"-90.ipt	Standard		
7.5		4	galvanised tee 1/2"-90°	oseg_zswh_galvanised-tee-1/2"-90.ipt	Standard		


Proyect Zigzag Solar Water Heater		Created by D. Mosquera		Approved by D. Jeager	
Part Name zigzag solar water heater		Part Code B		Document Type part-list	
Redesigned by  OPEN SOURCE ECOLOGY GERMANY		Original drawing from WOT University of Twente		License CC-BY-SA	
		File Name oseg_zswh_A1_zigzag-solar-water-heater		Version 1.0	
		Scale		Quantity 1	
				Sheet 5	
				Date 10.02.21	

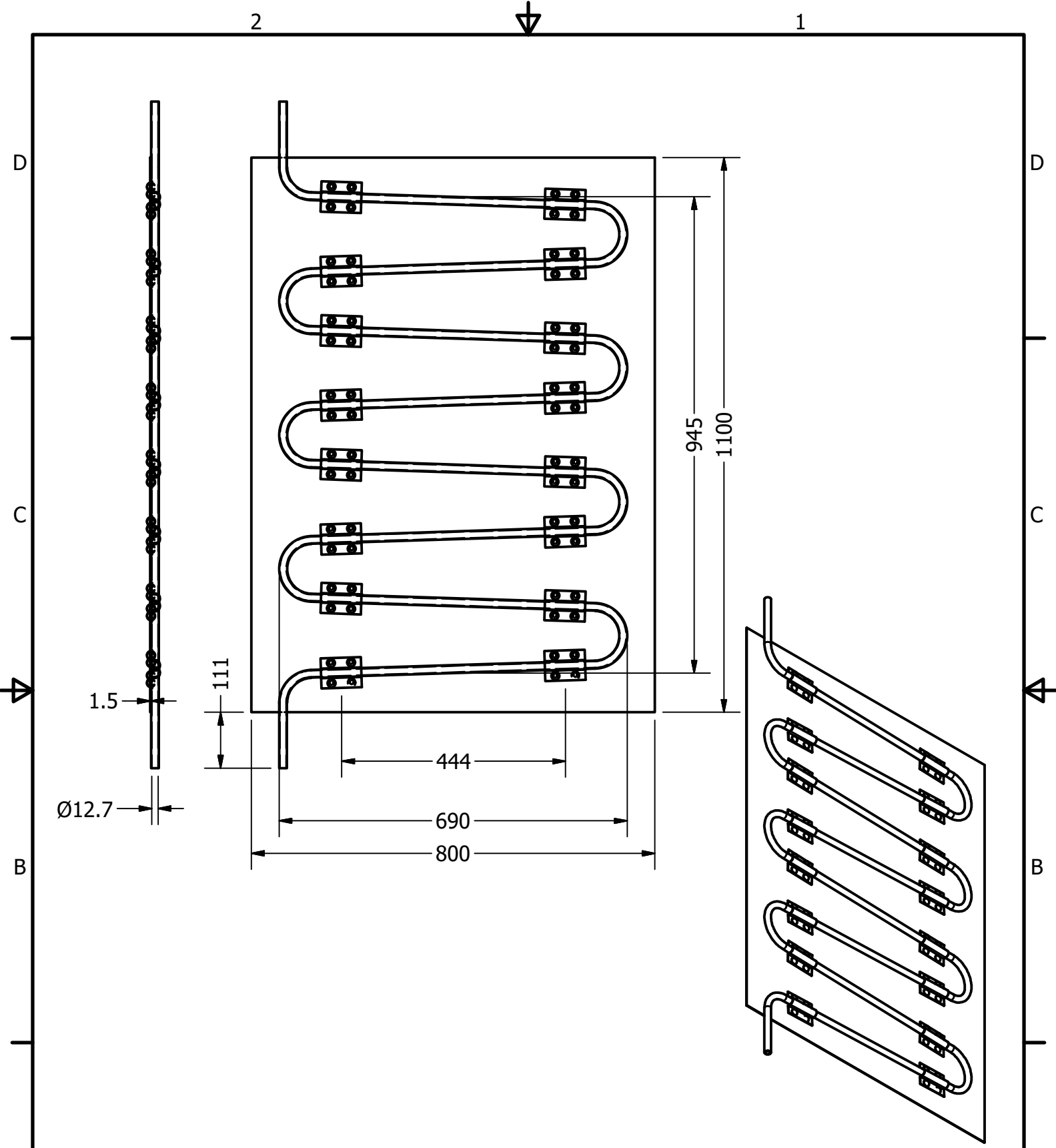
2




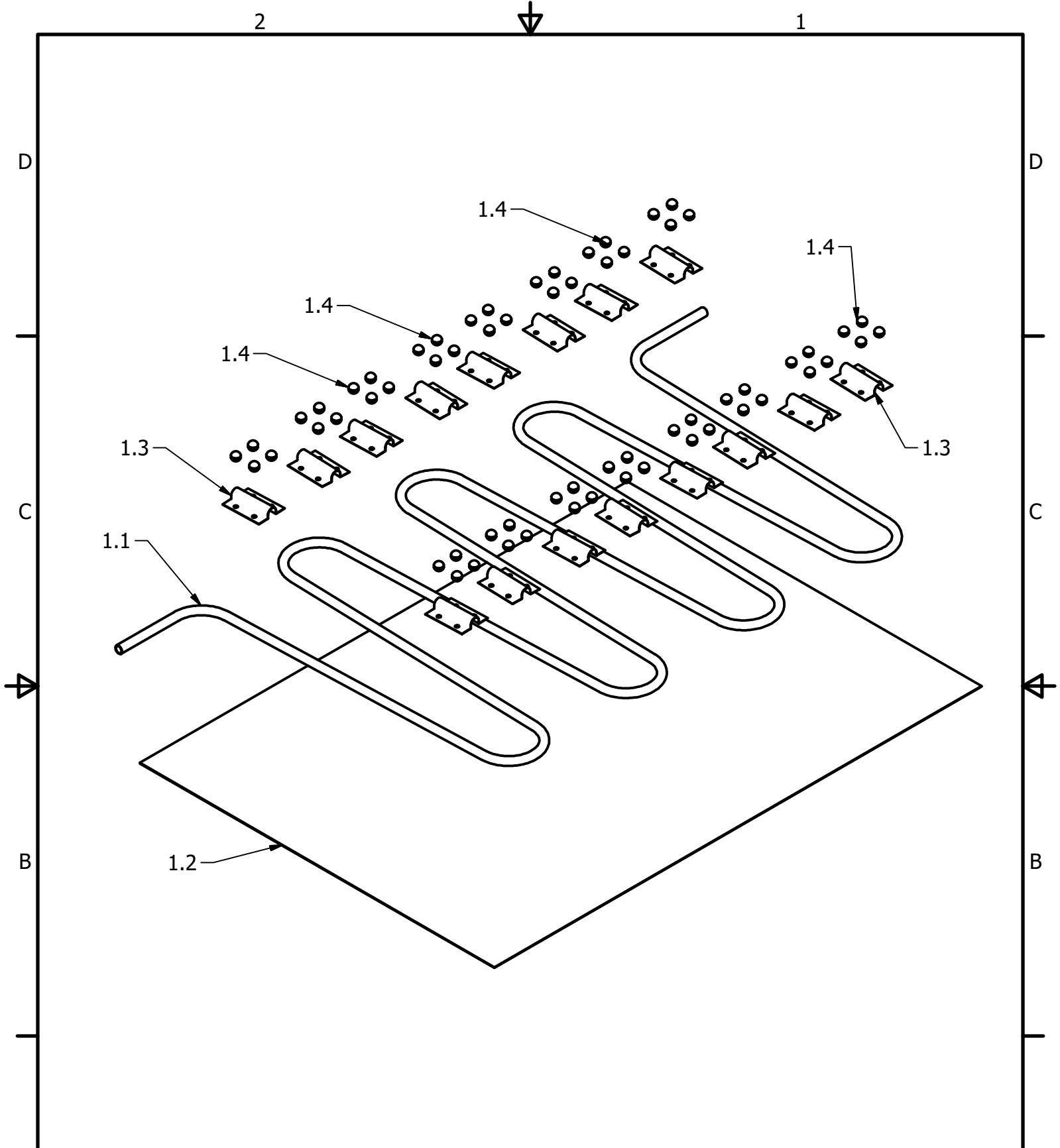
1




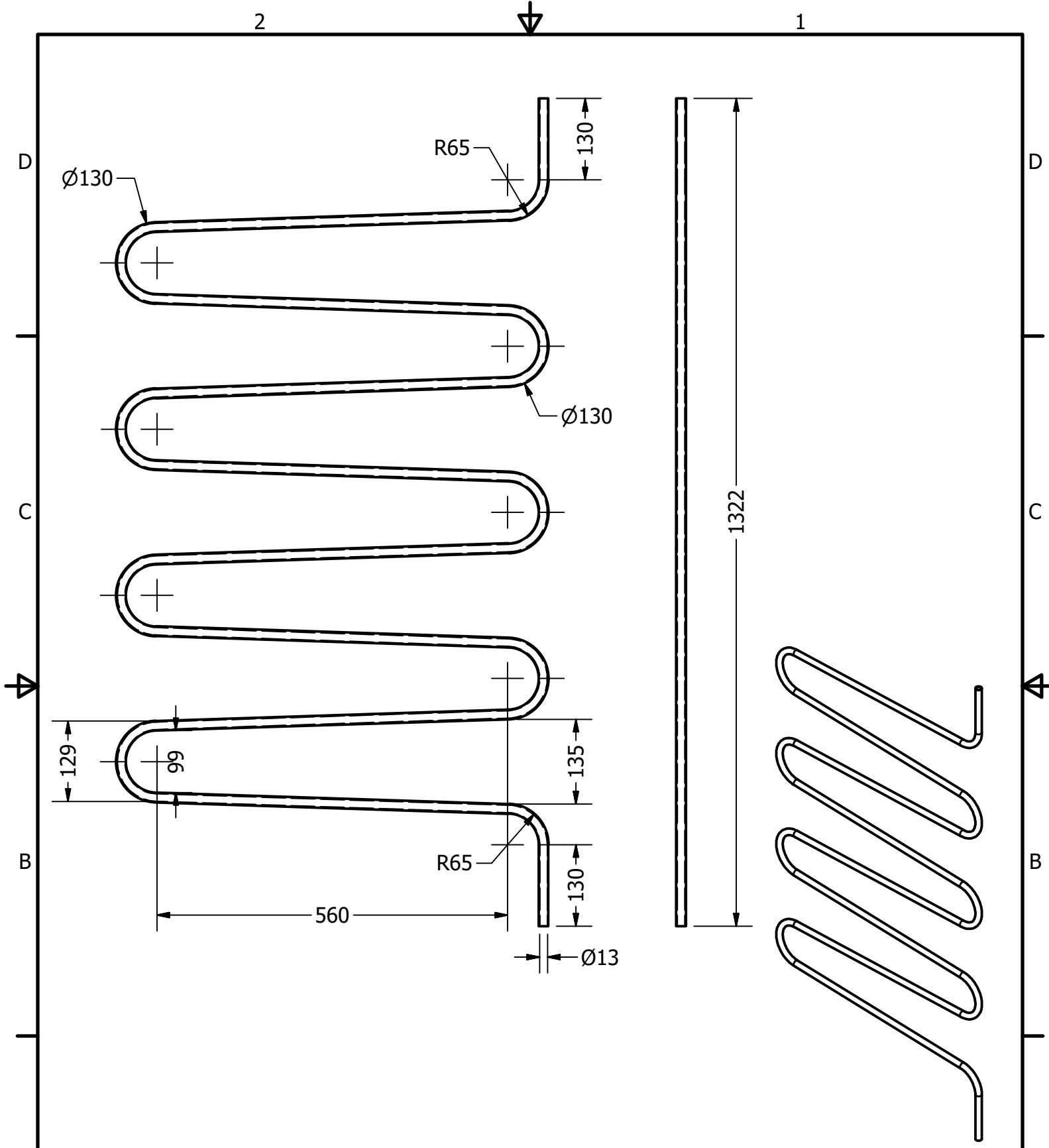
Proyect Zigzag Solar Water Heater		Created by D. Mosquera		Approved by D. Jeager	
Part Name absorber collector		Part Code 1	Document Type assembly		Material
Redesigned by  OPEN SOURCE ECOLOGY GERMANY	Original drawing from WOT University of Twente	License CC-BY-SA	File Name oseg_zswH_absorber-collector.iam		Version 1.0
			Scale 1 / 12	Sheet 6	Quantity 3
				Date 10.02.21	




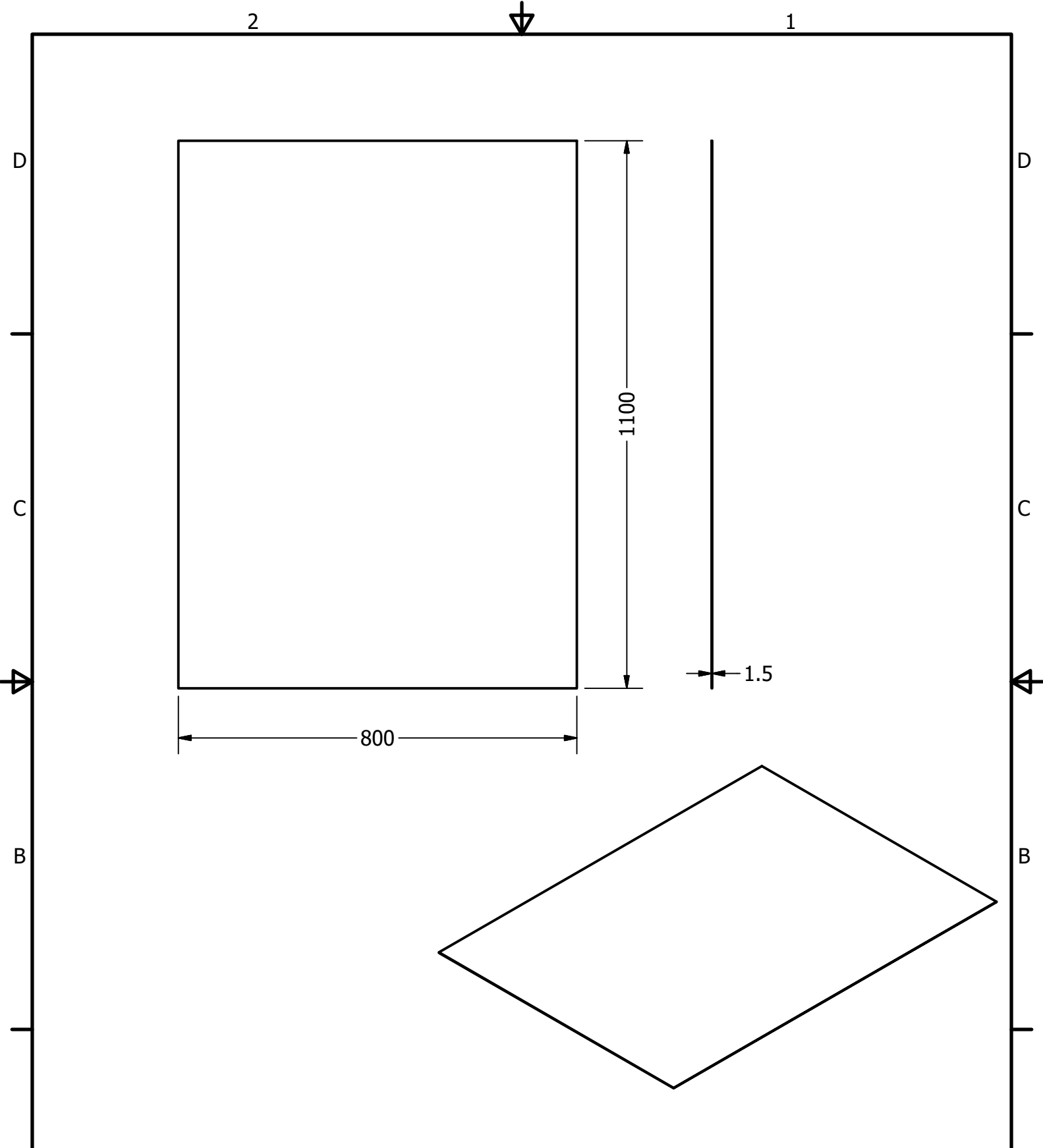
Project Zigzag Solar Water Heater		Created by D. Mosquera		Approved by D. Jeager	
Part Name absorber		Part Code 1		Document Type assembly	
Redesigned by  OPEN SOURCE ECOLOGY GERMANY		Original drawing from WOT University of Twente		License CC-BY-SA	
				File Name oseg_zswh_Absorber.iam	
				Version 1.0	
				Quantity 1	
				Scale 1 / 10	
				Sheet 7	
				Date 10.02.21	




Proyect Zigzag Solar Water Heater		Created by D. Mosquera		Approved by D. Jeager	
Part Name absorber		Part Code 1	Document Type assembly		Material
Redesigned by  OPEN SOURCE ECOLOGY GERMANY	Original drawing from WOT University of Twente	License CC-BY-SA	File Name oseg_zswH_Absorber.iam		Version 1.0
			Scale 1 / 8	Sheet 8	Quantity 1
				Date 10.02.21	



Project Zigzag Solar Water Heater		Created by D. Mosquera		Approved by D. Jeager	
Part Name zig-zag 1/2" galvanised pipe		Part Code 1.1		Document Type part	
Redesigned by  OPEN SOURCE ECOLOGY GERMANY		Original drawing from WOT University of Twente		License CC-BY-SA oseg	
				File Name zsw_h_zig-zag-1-2plg-galvanised-pipe.ipt	
				Version 1.0	
				Quantity 3	
				Scale 1 / 8	
				Sheet 9	
				Date 10.02.21	



Proyect Zigzag Solar Water Heater		Created by D. Mosquera		Approved by D. Jeager	
Part Name galvanised sheet		Part Code 1.2		Document Type part	
Redesigned by  OPEN SOURCE ECOLOGY GERMANY		Original drawing from WOT University of Twente		Material galvanized steel	
License CC-BY-SA		File Name oseg_zsw_h_galvanised-sheet.ipt		Version 1.0	
		Scale 1 / 10		Quantity 1	
				Date 10.02.21	

2

4

1

2

1

D

D

C

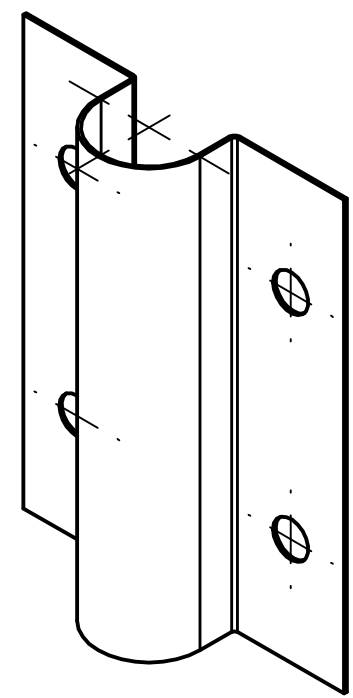
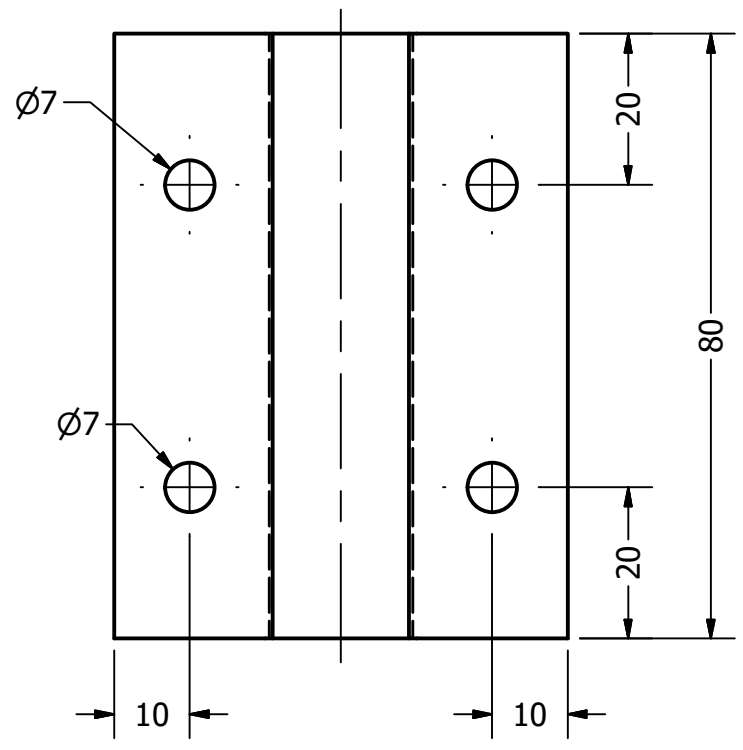
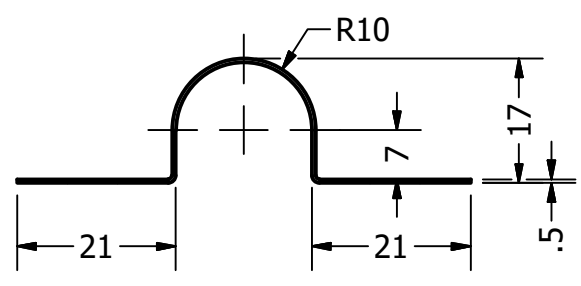
C

B


B

A

A



NOTE: Long. = 90.0

Project Zigzag Solar Water Heater		Created by D. Mosquera		Approved by D. Jeager	
Part Name saddles		Part Code 1.3		Document Type part	
Material galvanized steel		Version 1.0		Quantity 58	
Redesigned by  OPEN SOURCE ECOLOGY GERMANY	Original drawing from WOT University of Twente	License CC-BY-SA		File Name oseq_zsw_h_saddles.ipt	
		Scale 1 : 1		Sheet 11	

2

1



2

1

D

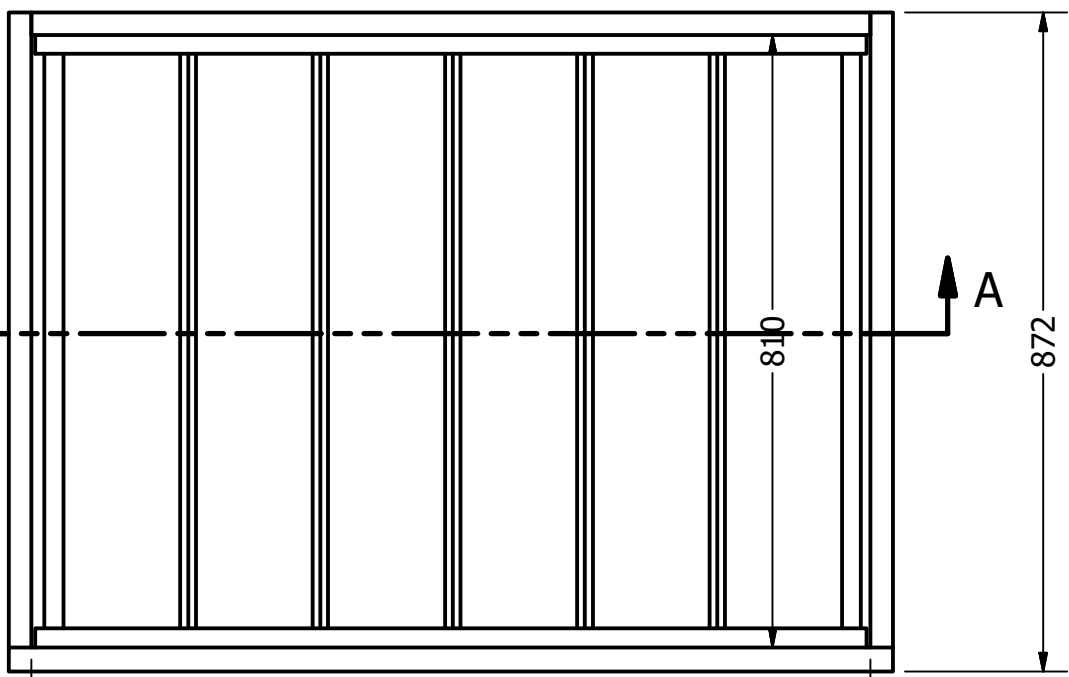
D

A

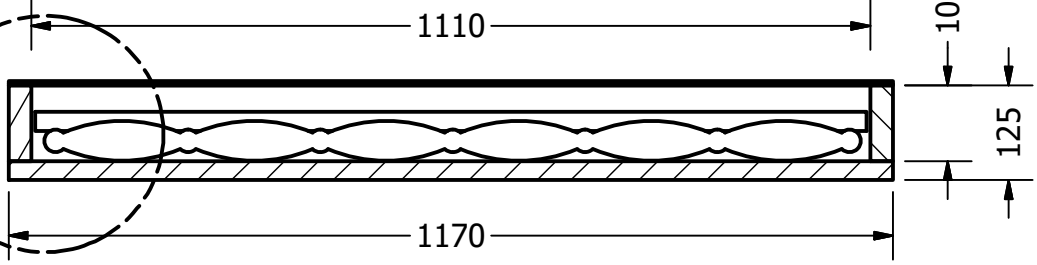
A

C

C



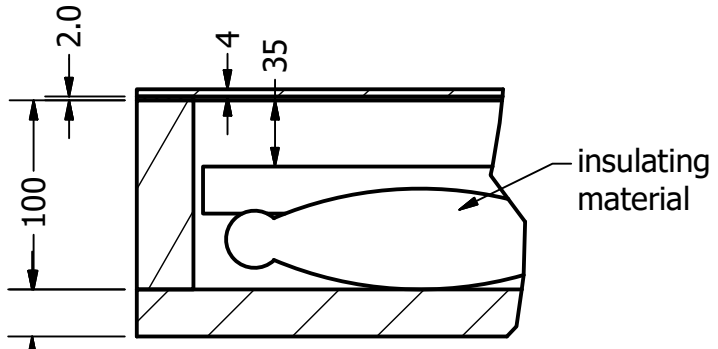
B



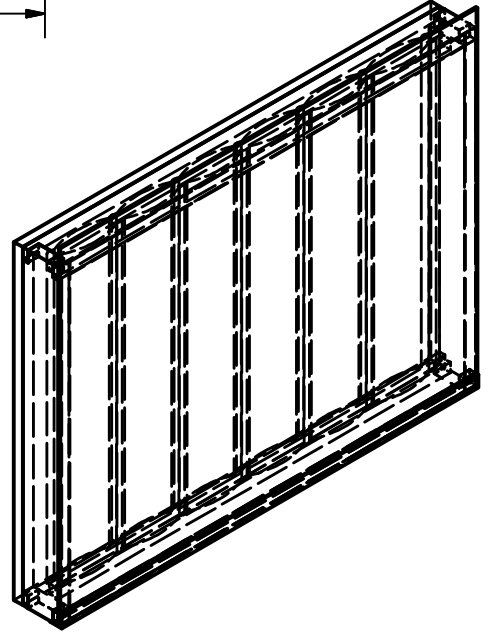
SECTION A-A

B

B




DETAIL B



A

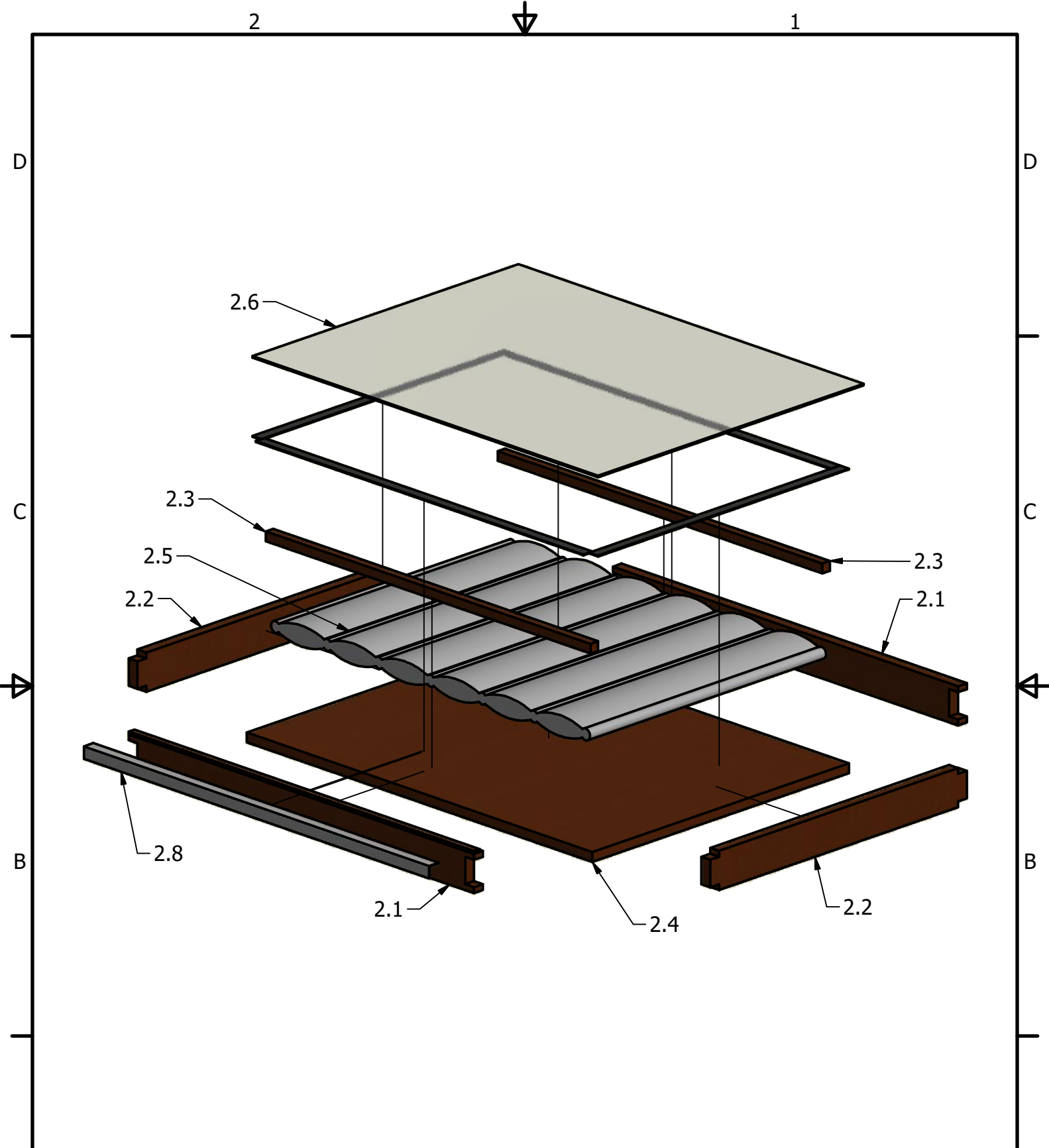
A


Project Zigzag Solar Water Heater		Created by D. Mosquera	Approved by D. Jeager		
Part Name collector box		Part Code 2	Document Type assembly	Material	
Redesigned by  OPEN SOURCE ECOLOGY GERMANY	Original drawing from WOT University of Twente	License CC-BY-SA	File Name oseg_zswh_collector-box.iam	Version 1.0	Quantity 3
			Scale 1 / 10	Sheet 12	Date 10.02.21

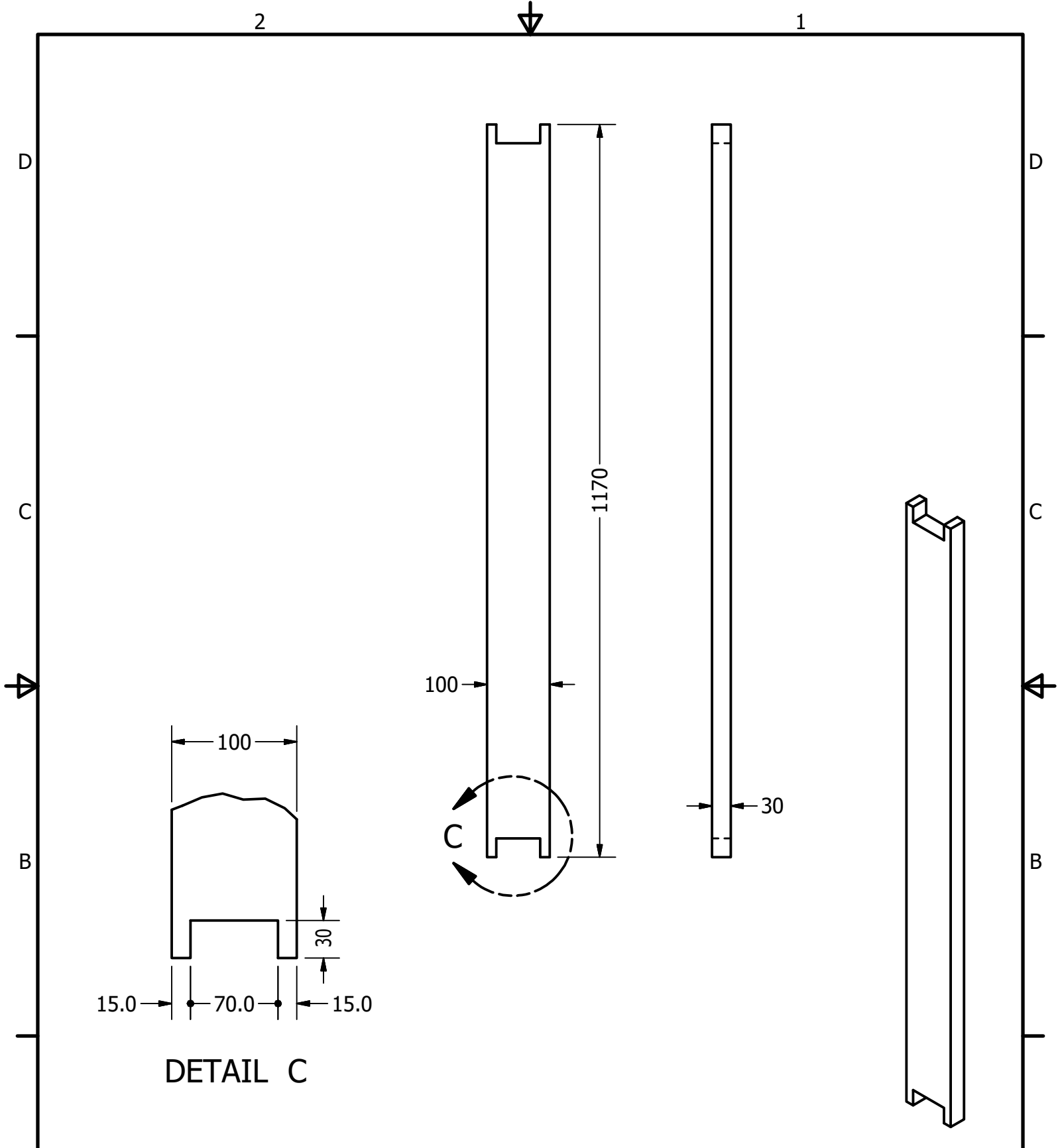
2

1




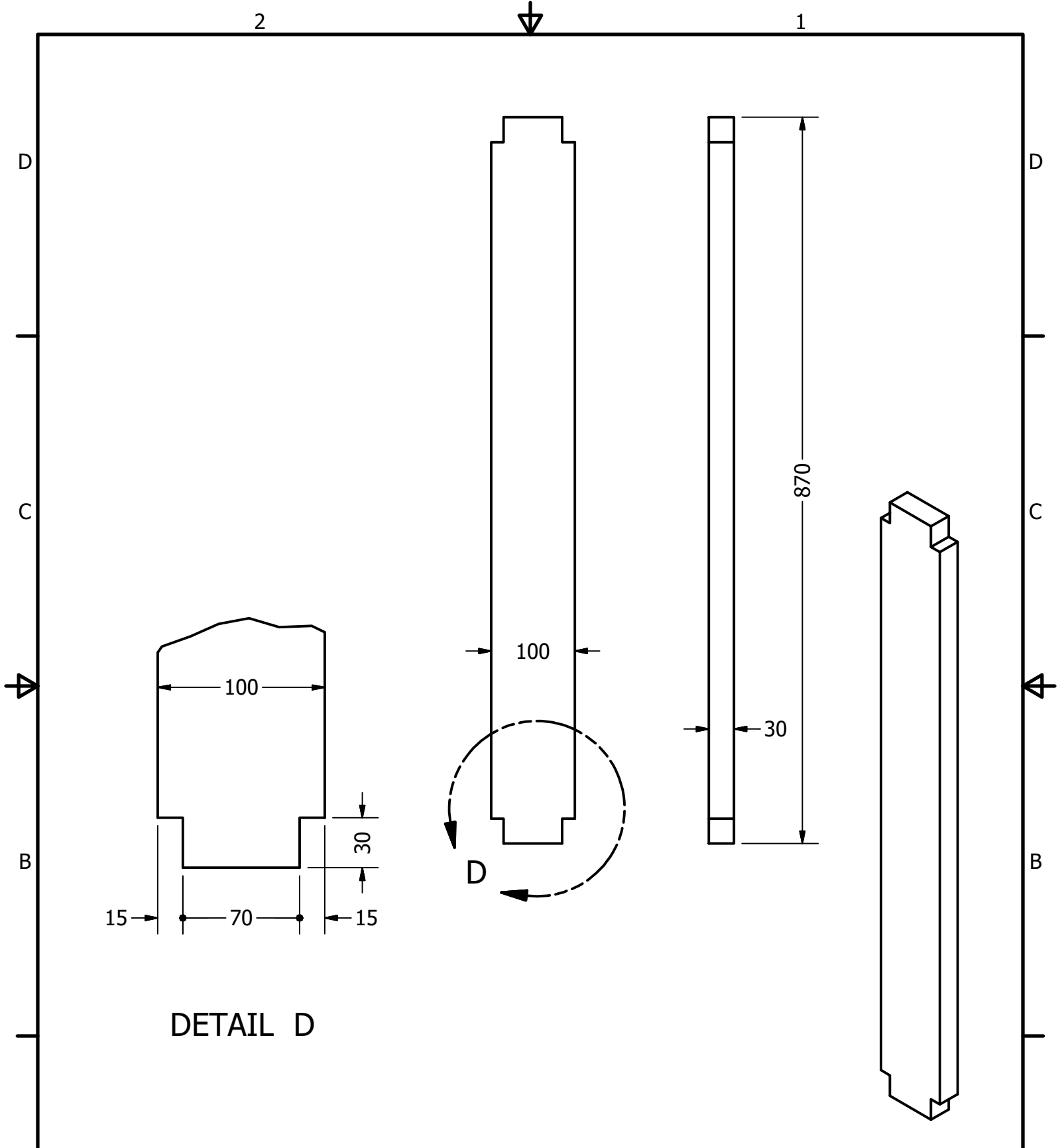


Proyect Zigzag Solar Water Heater		Created by D. Mosquera		Approved by D. Jeager	
Part Name collector box		Part Code 2		Document Type assembly	
Redesigned by  OPEN SOURCE ECOLOGY GERMANY		Original drawing from WOT University of Twente		License CC-BY-SA	
		File Name oseg_zswh_collector-box.iam		Version 1.0	
		Scale 1 / 12		Quantity 3	
				Sheet 13	
				Date 10.02.21	




DETAIL C

Proyect Zigzag Solar Water Heater		Created by D. Mosquera		Approved by D. Jeager	
Part Name sides planks		Part Code 2.1		Document Type part	
Material wood		Version 1.0		Quantity 6	
Redesigned by  OPEN SOURCE ECOLOGY GERMANY		Original drawing from WOT University of Twente		File Name oseg_zswh_sides-planks.ipt	
License CC-BY-SA		Scale 1 / 8		Date 10.02.21	



DETAIL D

Proyect Zigzag Solar Water Heater		Created by D. Mosquera		Approved by D. Jeager	
Part Name front planks		Part Code 2.2		Document Type part	
Material good		Version 1.0		Quantity 6	
Redesigned by  OPEN SOURCE ECOLOGY GERMANY		Original drawing from WOT University of Twente		File Name oseg_zsw_h_front-planks.ipt	
License CC-BY-SA		Scale 1 / 6		Date 10.02.21	

2

1

D

D

C

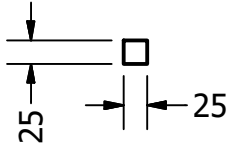
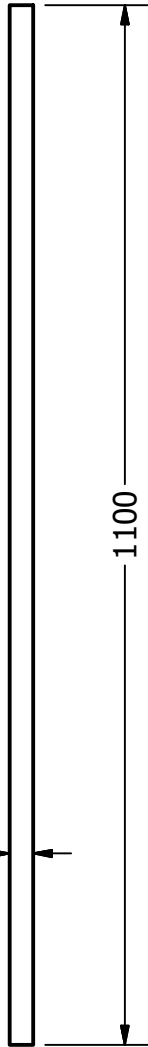
C


B

B

A

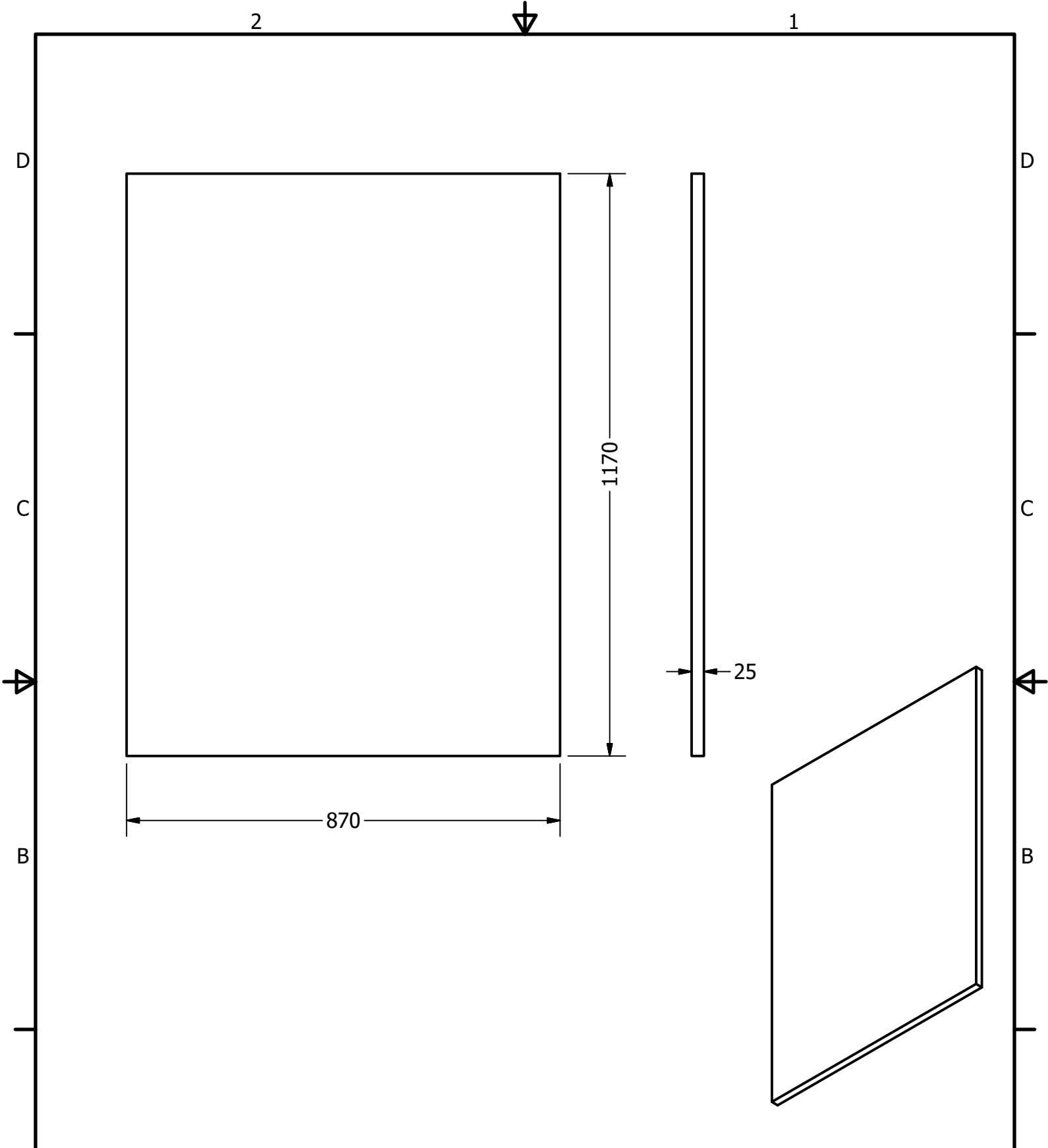
A




Proyect Zigzag Solar Water Heater		Created by D. Mosquera		Approved by D. Jeager	
Part Name sides planks		Part Code 2.3		Document Type part	
Material good		Version 1.0		Quantity 6	
Redesigned by  OPEN SOURCE ECOLOGY GERMANY		Original drawing from WOT University of Twente		File Name oseg_zsw_h_supporting-laths.ipt	
License CC-BY-SA		Scale 1 / 8		Date 10.02.21	

2

1



Proyect Zigzag Solar Water Heater		Created by D. Mosquera		Approved by D. Jeager	
Part Name bottom planks		Part Code 2.4		Document Type part	
Material good		Version 1.0		Quantity 3	
Redesigned by  OPEN SOURCE ECOLOGY GERMANY		Original drawing from WOT University of Twente		File Name oseg_zsw_h_bottom-plank.ipt	
License CC-BY-SA		Scale 1 / 10		Date 10.02.21	

2

1

2

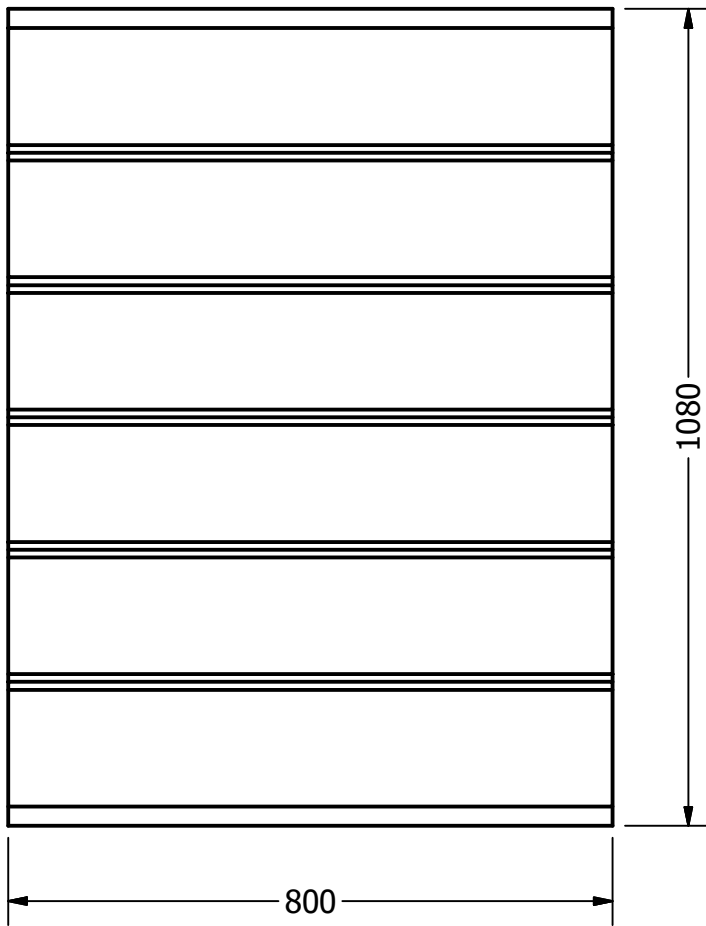
1

2



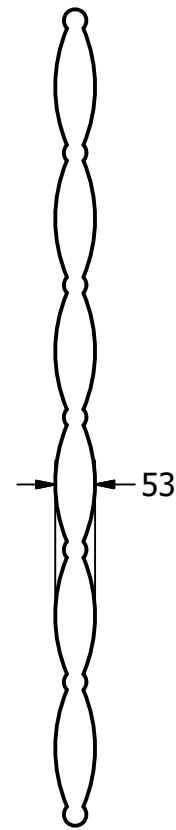
1

D



1080

800



53

D

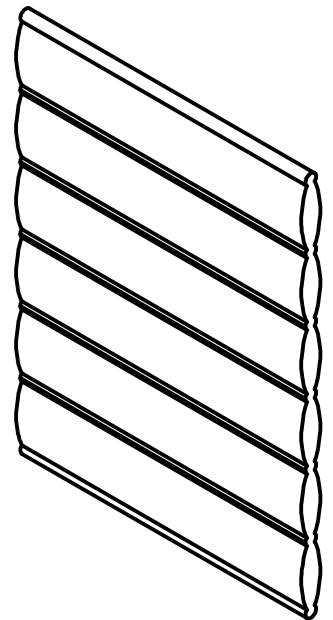
C

C



B

B



NOTE: empty bags of fibre with sawdust, Coconut-fibre, glass-wool or any kind of other insulating material.

A

A

Proyect
Zigzag Solar Water Heater

Created by
D. Mosquera

Approved by
D. Jeager

Part Name
sides planks

Part Code
2.5

Document Type
part

Material
bags of fibre



Original drawing from
WOT
University of
Twente

License
CC-BY-SA

File Name
oseg_zswh_insulating-material.ipt

Version
1.0

Quantity
3

Scale
1 / 10

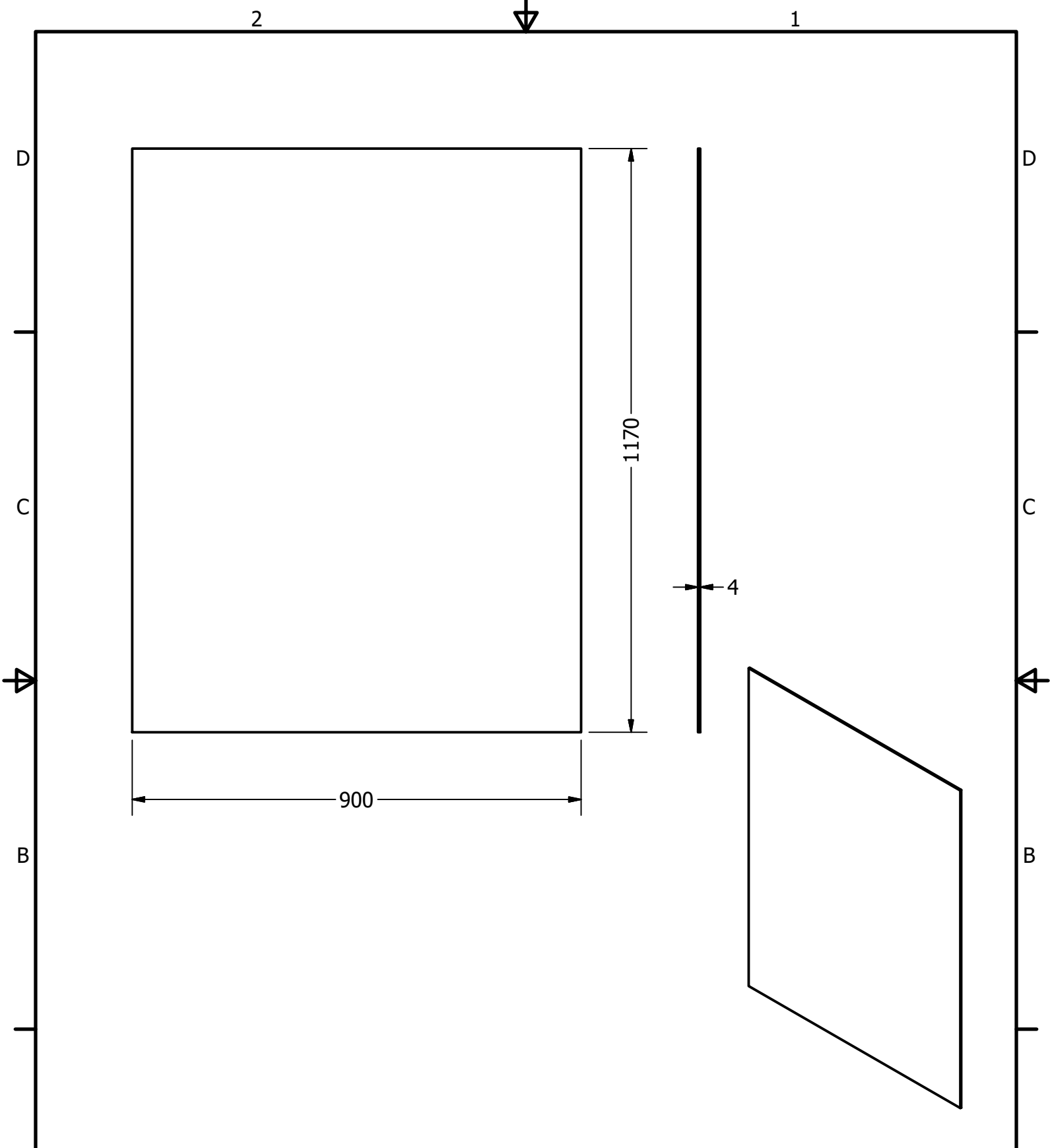
Sheet
18


Date
10.02.21

2



1



Proyect Zigzag Solar Water Heater		Created by D. Mosquera		Approved by D. Jeager	
Part Name cover glass		Part Code 2.6		Document Type part	
Material glass		Version 1.0		Quantity 3	
Redesigned by  OPEN SOURCE ECOLOGY GERMANY	Original drawing from WOT University of Twente	License CC-BY-SA		File Name oseg_zsw_h_cover-glass.ipt	
		Scale 1 /10		Sheet 19	
				Date 10.02.21	

2

1

2

1

D

D

C

C

B

B

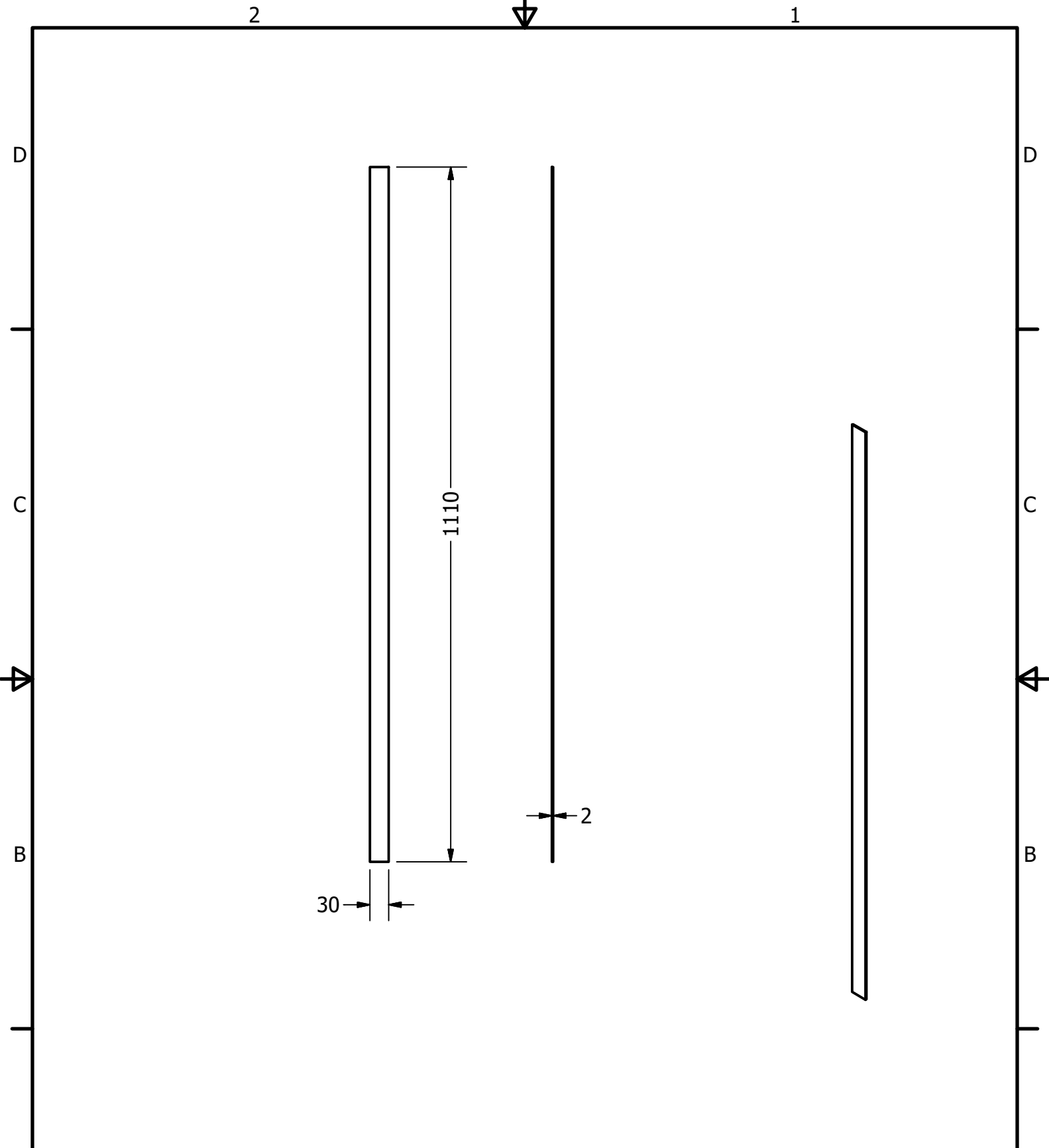
A


A

1170

900

4



Proyect Zigzag Solar Water Heater		Created by D. Mosquera		Approved by D. Jeager	
Part Name rubber strip		Part Code 2.7		Document Type part	
Redesigned by  OPEN SOURCE ECOLOGY GERMANY		Original drawing from WOT University of Twente		Material rubber	
License CC-BY-SA		File Name oseg_zsw_h_rubber-strip.ipt		Version 1.0	
		Scale 1 / 8		Quantity 12	
				Date 10.02.21	

2

1

D

D

C

C

B

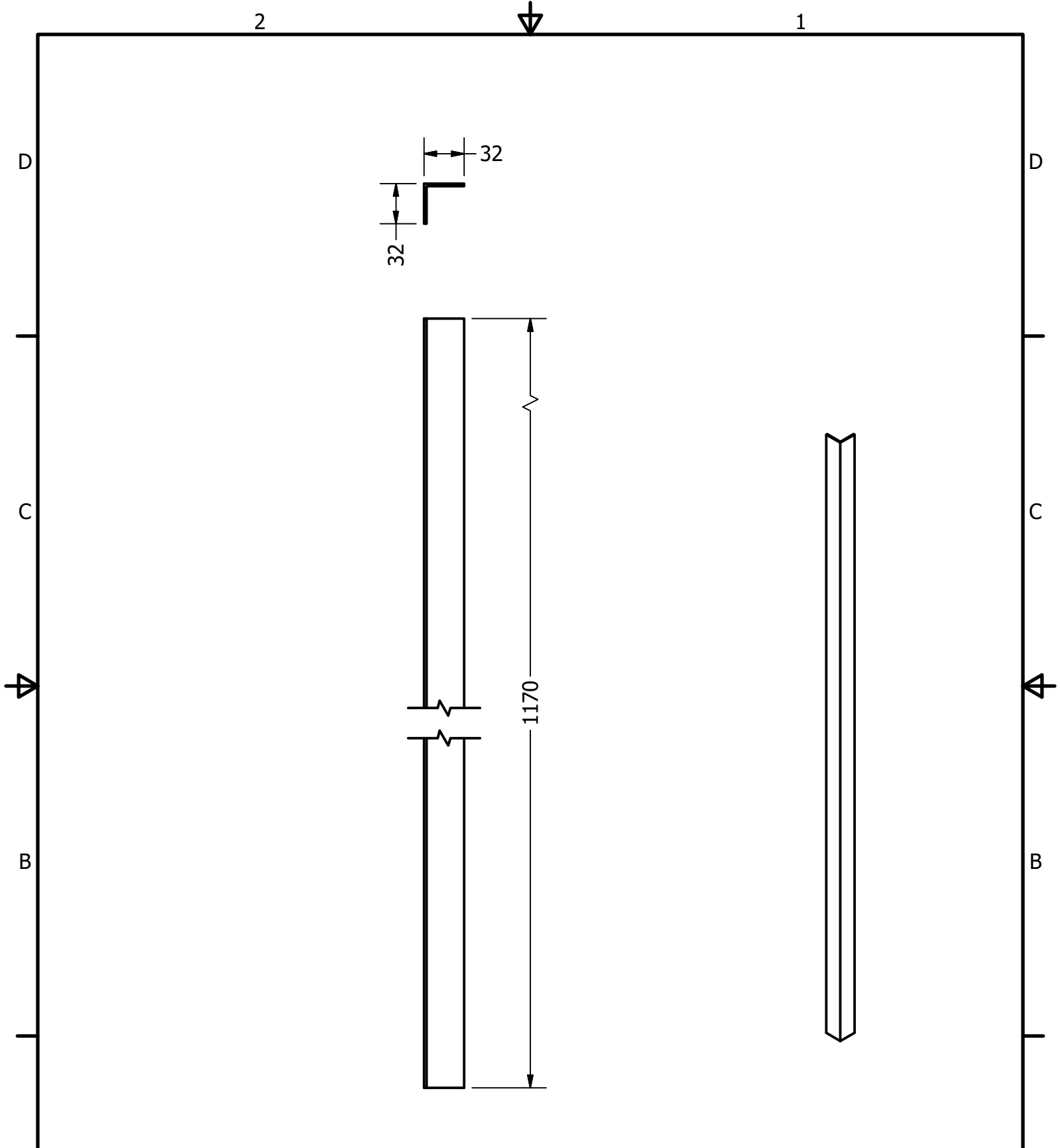
B


A

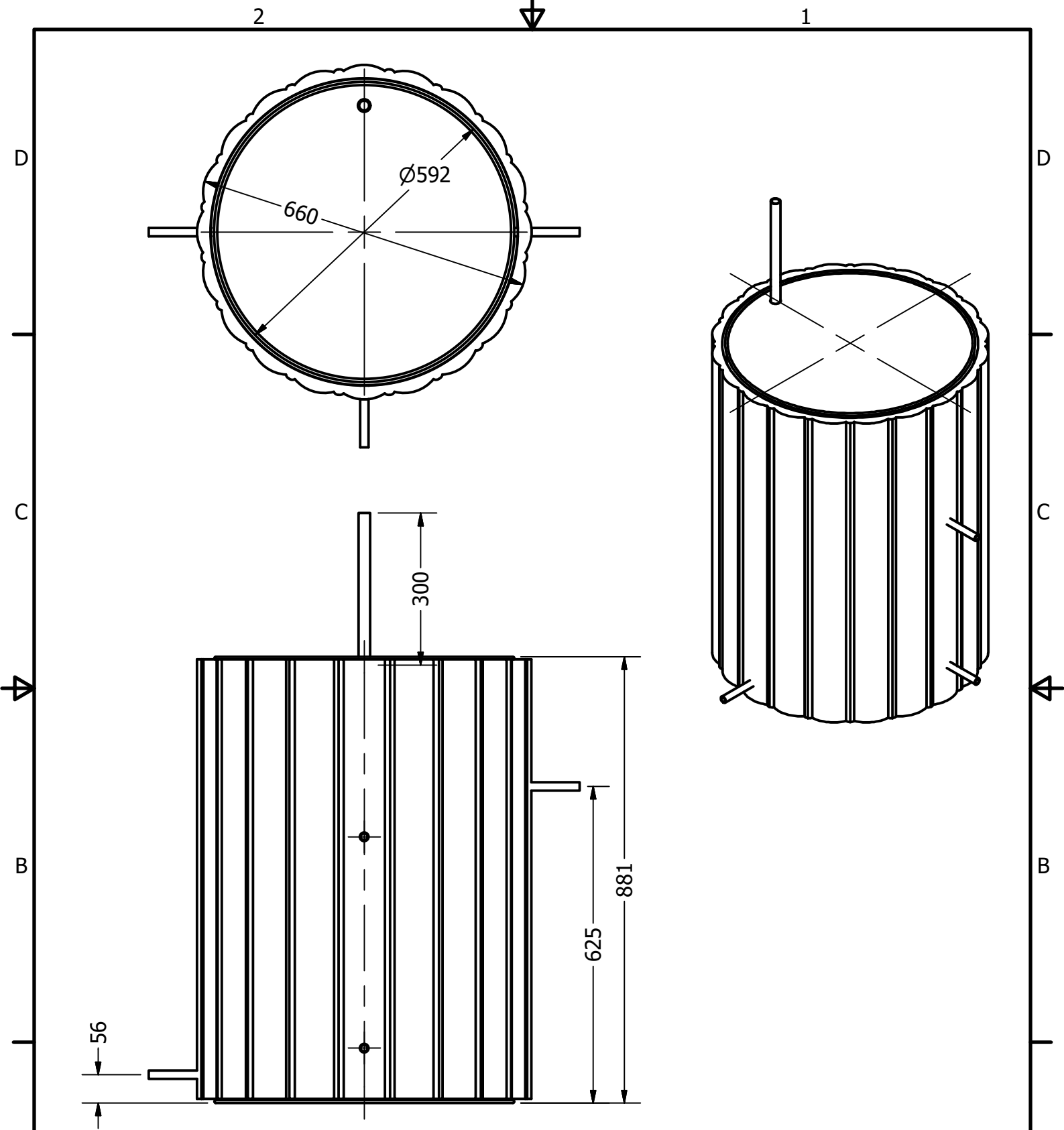
A


2

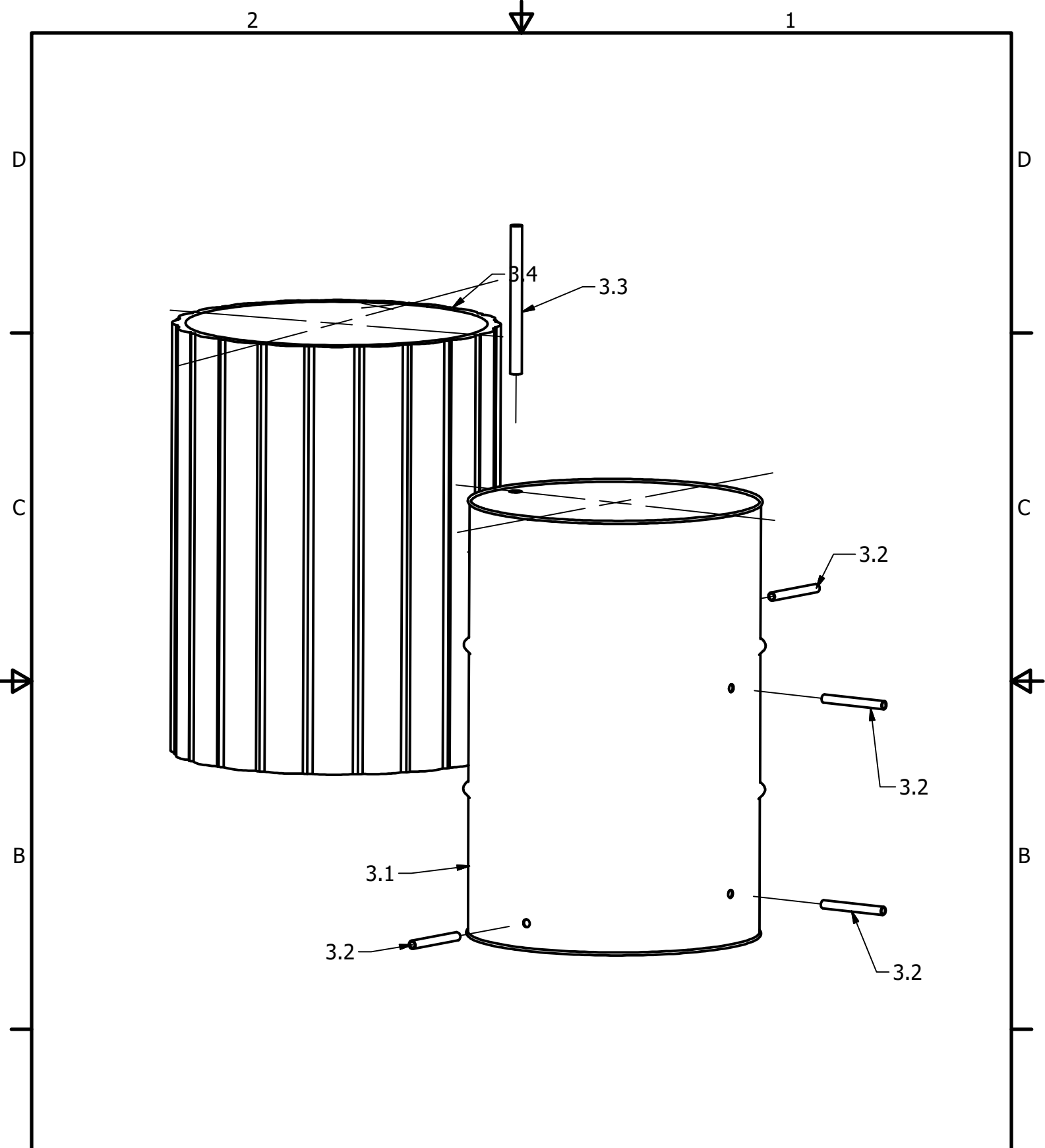
1




Proyect Zigzag Solar Water Heater		Created by D. Mosquera		Approved by D. Jeager	
Part Name angles section		Part Code 2.8		Document Type part	
Redesigned by  OPEN SOURCE ECOLOGY GERMANY		Original drawing from WOT University of Twente		License CC-BY-SA	
				File Name oseg_zsw_h_angle-section.ipt	
				Version 1.0	
				Quantity 3	
				Scale 1 / 4	
				Sheet 21	
				Date 10.02.21	



Project Zigzag Solar Water Heater		Created by D. Mosquera		Approved by D. Jeager	
Part Name insulated storage tank		Part Code 3		Document Type assembly	
Redesigned by  OPEN SOURCE ECOLOGY GERMANY		Original drawing from WOT University of Twente		License CC-BY-SA	
		File Name oseg_zswlh_insulated-storage-tank.iam		Version 1.0	
		Scale 1 / 10		Quantity 3	
				Sheet 22	
				Date 10.02.21	



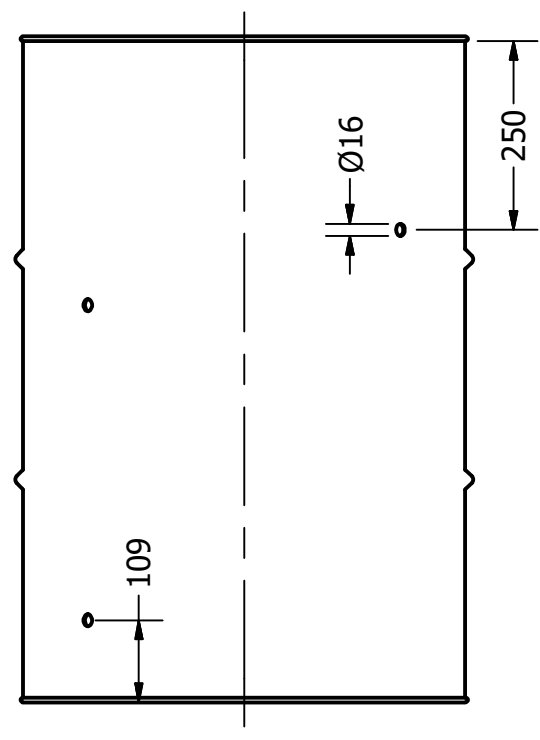
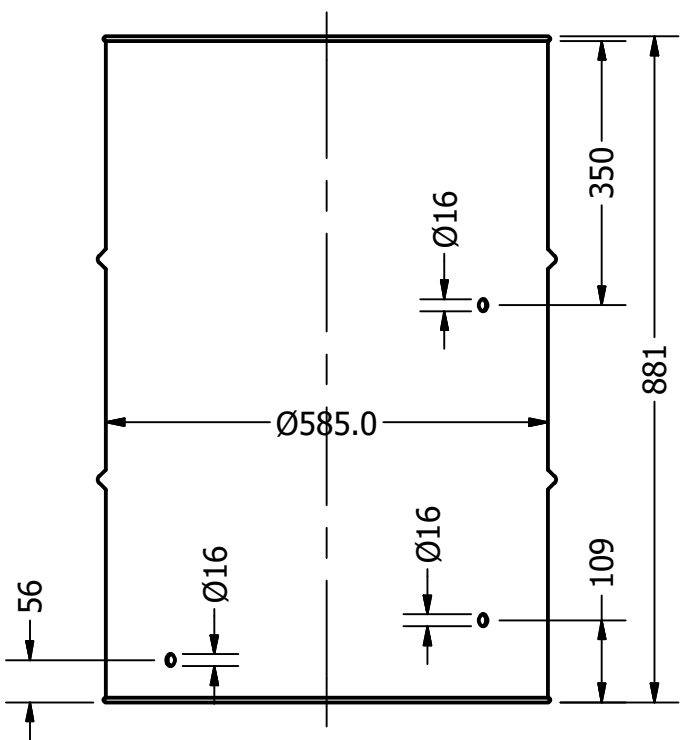
Proyect Zigzag Solar Water Heater		Created by D. Mosquera		Approved by D. Jeager	
Part Name storage tank		Part Code 3		Document Type assembly	
Redesigned by  OPEN SOURCE ECOLOGY GERMANY		Original drawing from WOT University of Twente		License CC-BY-SA	
		File Name oseg_zsw_h_insulated-storage-tank.iam		Version 1.0	
		Scale 1 / 10		Quantity 3	
				Sheet 23	
				Date 10.02.21	

2

1

D

D



C

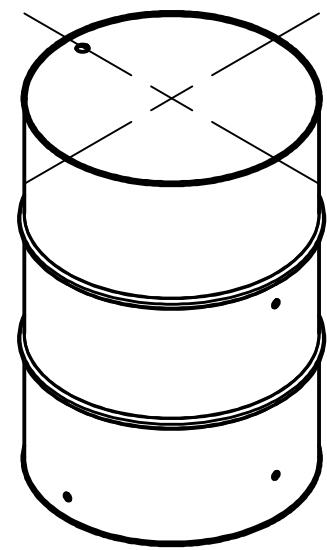
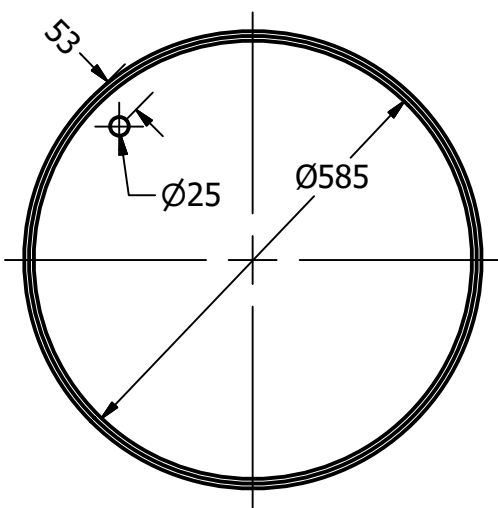
C

↕

↕


B

B



A

A

Project Zigzag Solar Water Heater		Created by D. Mosquera		Approved by D. Jeager	
Part Name storage tank		Part Code 3.1		Document Type part	
Material rolled steel		Version 1.0		Quantity 1	
Redesigned by  OPEN SOURCE ECOLOGY GERMANY	Original drawing from WOT University of Twente	License CC-BY-SA	File Name oseg_zswh_storage-tank.ipt	Scale 1 / 10	Date 10.02.21

2

1

↕

2

1

D

D

C

C

B

B

A

A

1/2-14 NPT

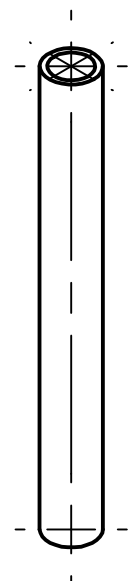
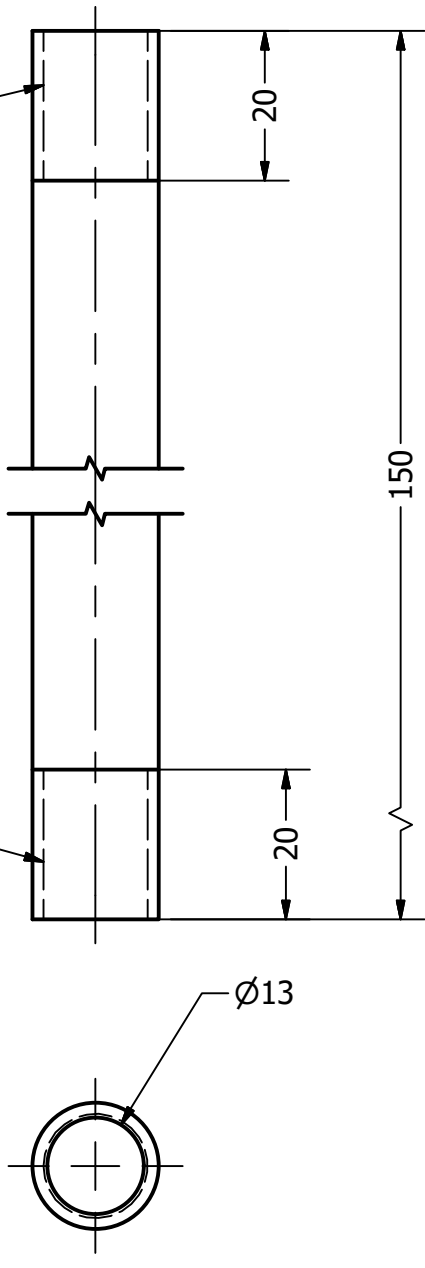
20


150

1/2-14 NPT

20

Ø13

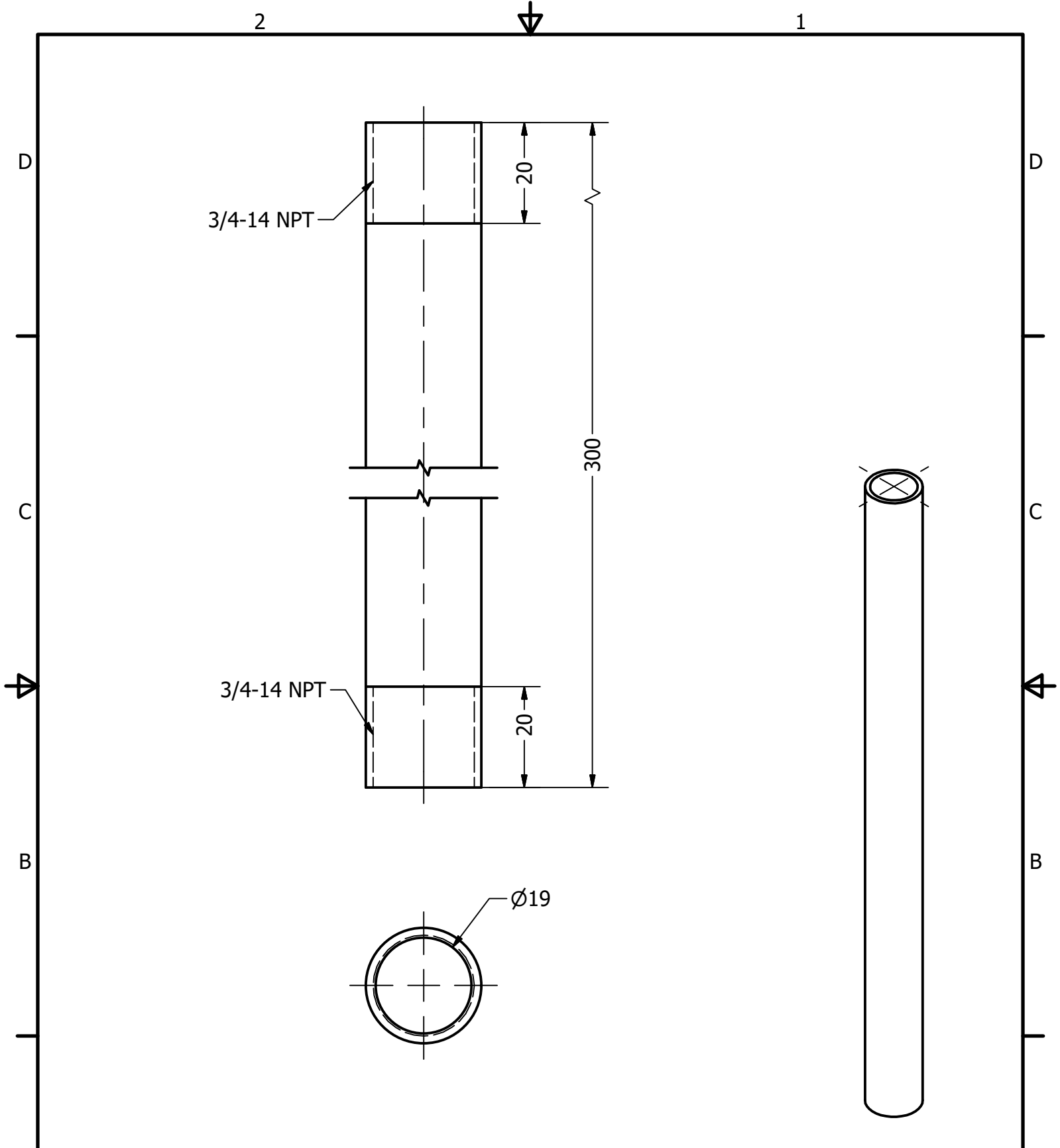



Proyect Zigzag Solar Water Heater		Created by D. Mosquera		Approved by D. Jeager	
Part Name galvanised pipe 1/2"		Part Code 2.8		Document Type part	
Redesigned by  OPEN SOURCE ECOLOGY GERMANY	Original drawing from WOT University of Twente		License CC-BY-SA oseg		File Name zsw_h_galvanised-pipe-1-2plgx150.ipt
			Version 1.0	Quantity 4	Scale 1 : 1

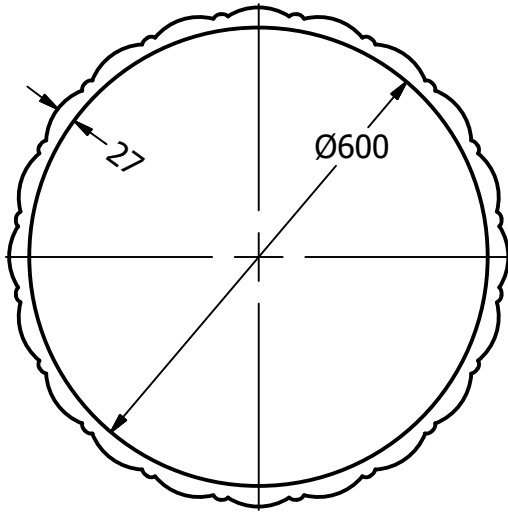
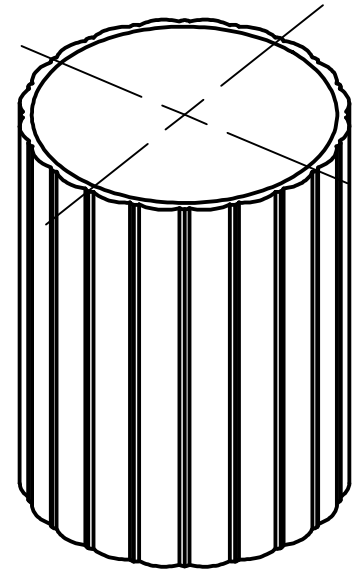
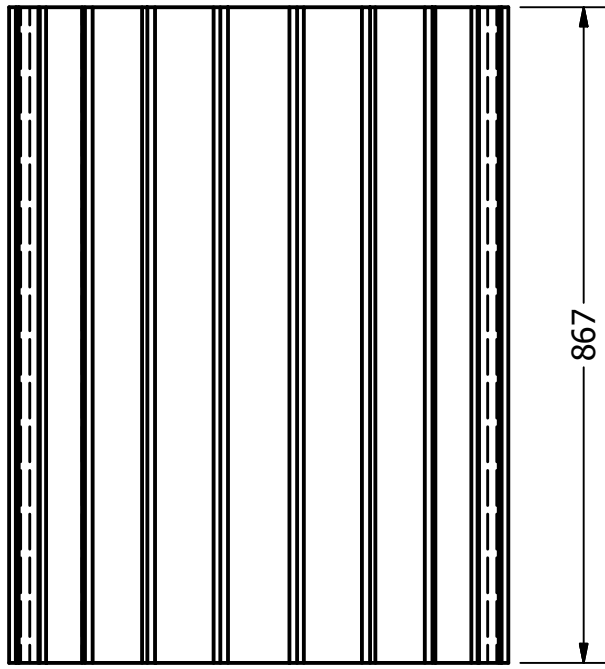
2

1






Proyect Zigzag Solar Water Heater		Created by D. Mosquera		Approved by D. Jeager	
Part Name galvanised pipe 3/4"		Part Code 3.3		Document Type part	
Redesigned by  OPEN SOURCE ECOLOGY GERMANY		Original drawing from WOT University of Twente		License CC-BY-SA oseg	
		File Name zswwh_galvanised-pipe-3-4plgx300.ipt		Version 1.0	
		Scale 1 : 1		Quantity 1	
				Date 10.02.21	
				Sheet 26	



NOTE: empty bags of fibre with sawdust, Coconut-fibre, glass-wool or any kind of other insulating material.

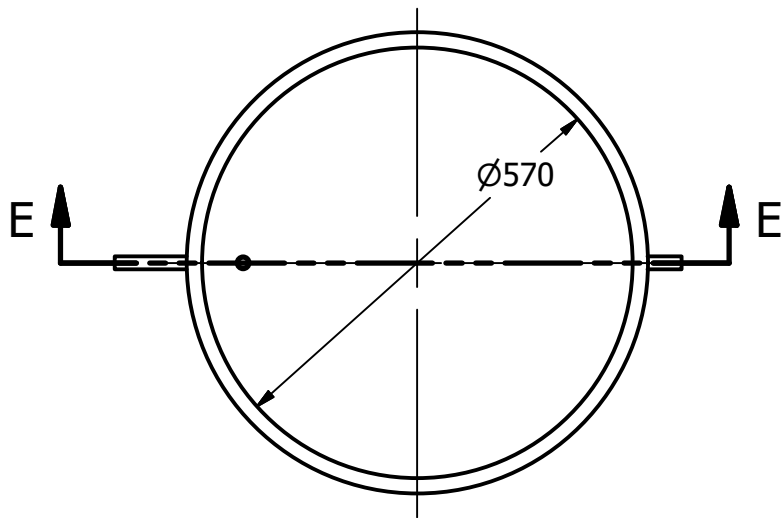
Proyect Zigzag Solar Water Heater		Created by D. Mosquera		Approved by D. Jeager	
Part Name insulating material		Part Code 3.4		Document Type part	
Material bags of fiber		Version 1.0		Quantity 1	
Redesigned by  OPEN SOURCE ECOLOGY GERMANY		Original drawing from WOT University of Twente		License CC-BY-SA	
		File Name oseg_zswh_insulating-material2.ipc		Scale 1 / 10	
				Sheet 27	
				Date 10.02.21	

2

1

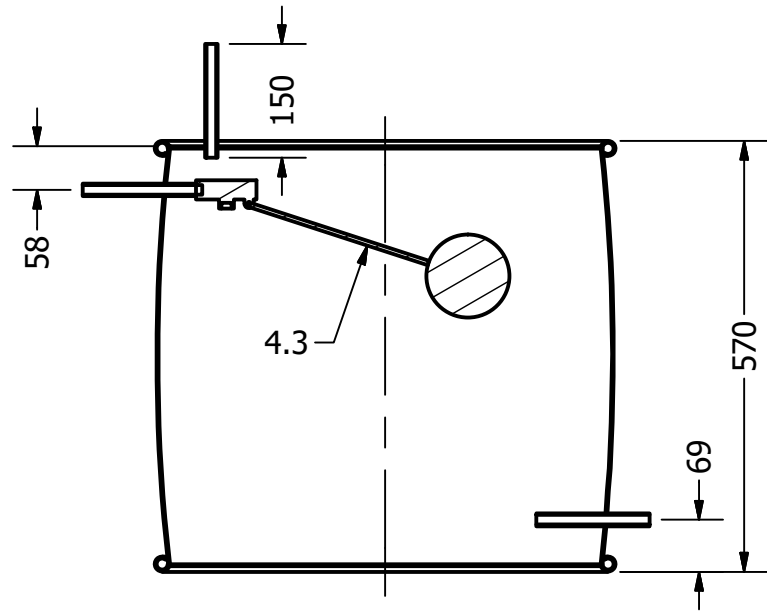
D

D



C

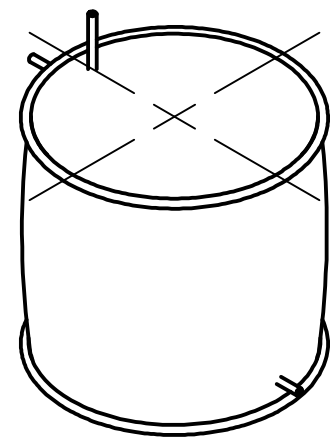
C



SECTION E-E


B

B



A

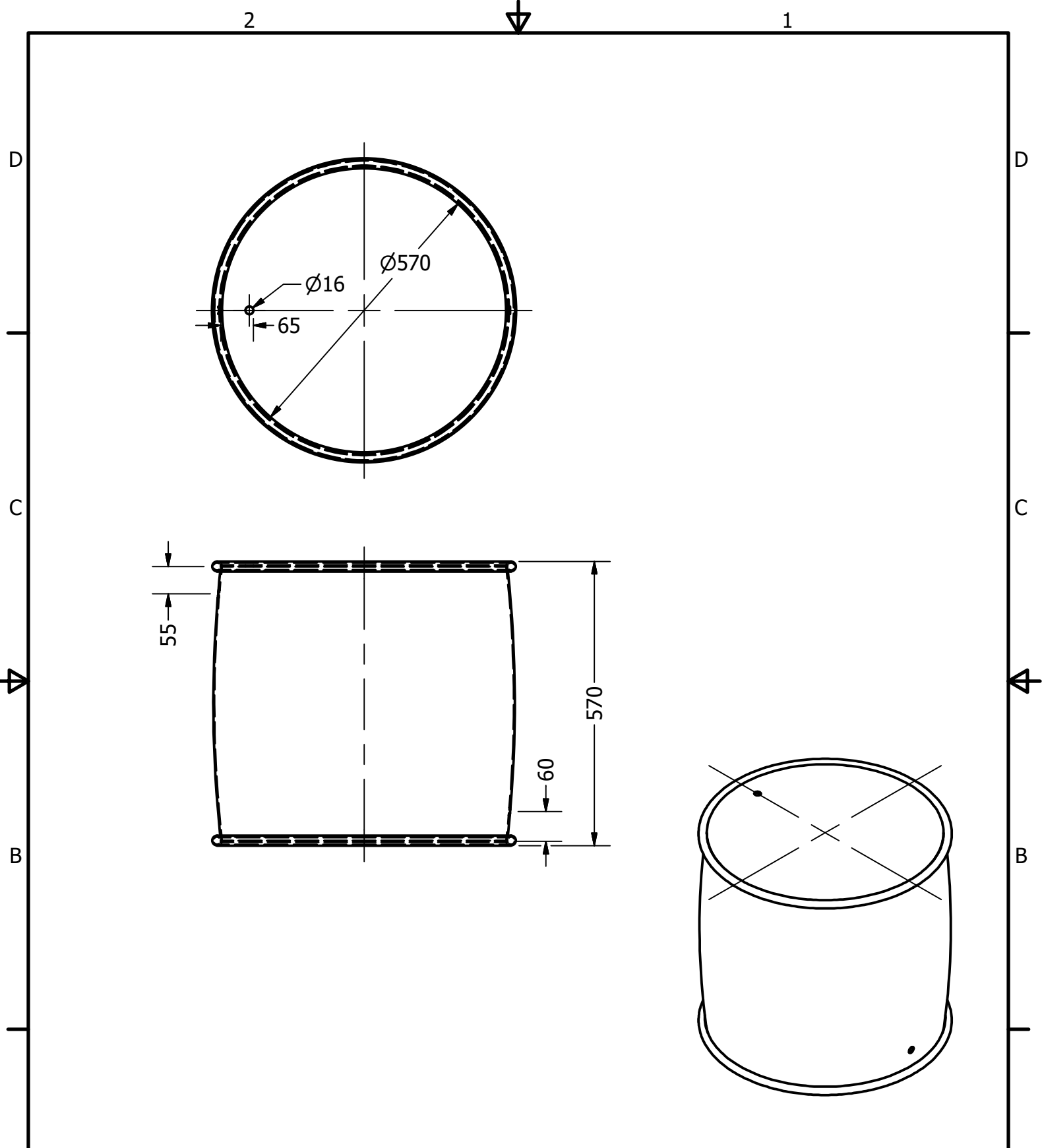
A


Proyect Zigzag Solar Water Heater		Created by D. Mosquera		Approved by D. Jeager	
Part Name the buffer tank		Part Code 4		Document Type assembly	
Redesigned by  OPEN SOURCE ECOLOGY GERMANY	Original drawing from WOT University of Twente		License CC-BY-SA		
			File Name oseg_zswwh_the-buffer-tank.iam		Version 1.0
				Scale 1 / 10	Sheet 28
				Date 10.02.21	

2

4

1



Proyect Zigzag Solar Water Heater		Created by D. Mosquera		Approved by D. Jeager	
Part Name storage tank		Part Code 4.1		Document Type part	
Redesigned by  OPEN SOURCE ECOLOGY GERMANY		Original drawing from WOT University of Twente		License CC-BY-SA	
		File Name oseg_zsw_h_storage-tank.ipt		Version 1.0	
		Scale 1 / 10		Quantity 1	
				Sheet 29	
				Date 10.02.21	

2

1

D

D

C

C

B

B

A

A

1/2-14 NPT

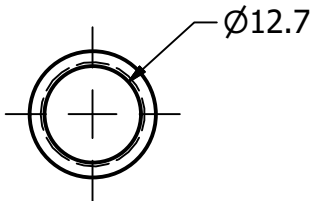
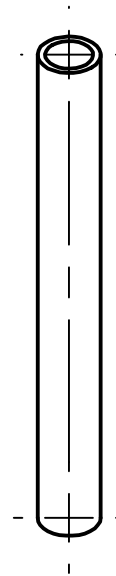
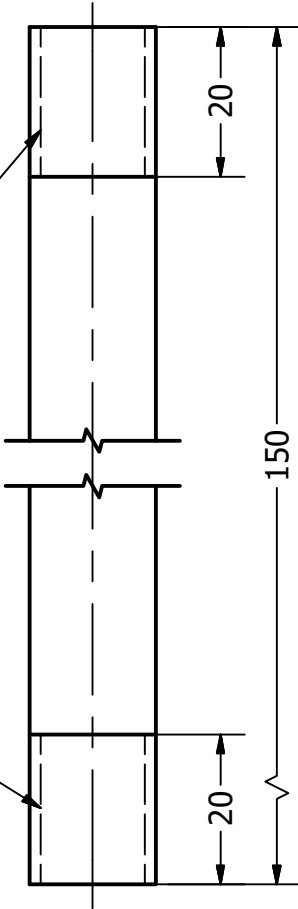
1/2-14 NPT

20

150

20

Ø12.7



Proyect
Zigzag Solar Water Heater

Created by
D. Mosquera

Approved by
D. Jeager

Part Name
galvanised pipe 1/2"

Part Code
4.2

Document Type
part

Material
galvanized steel

Redesigned by

Original drawing from

License
CC-BY-SA

File Name
oseg_zswh_galvanised-pipe-1-2plgx150.ipt

Version
1.0

Quantity
4



WOT
University of
Twente

Scale
1 : 1

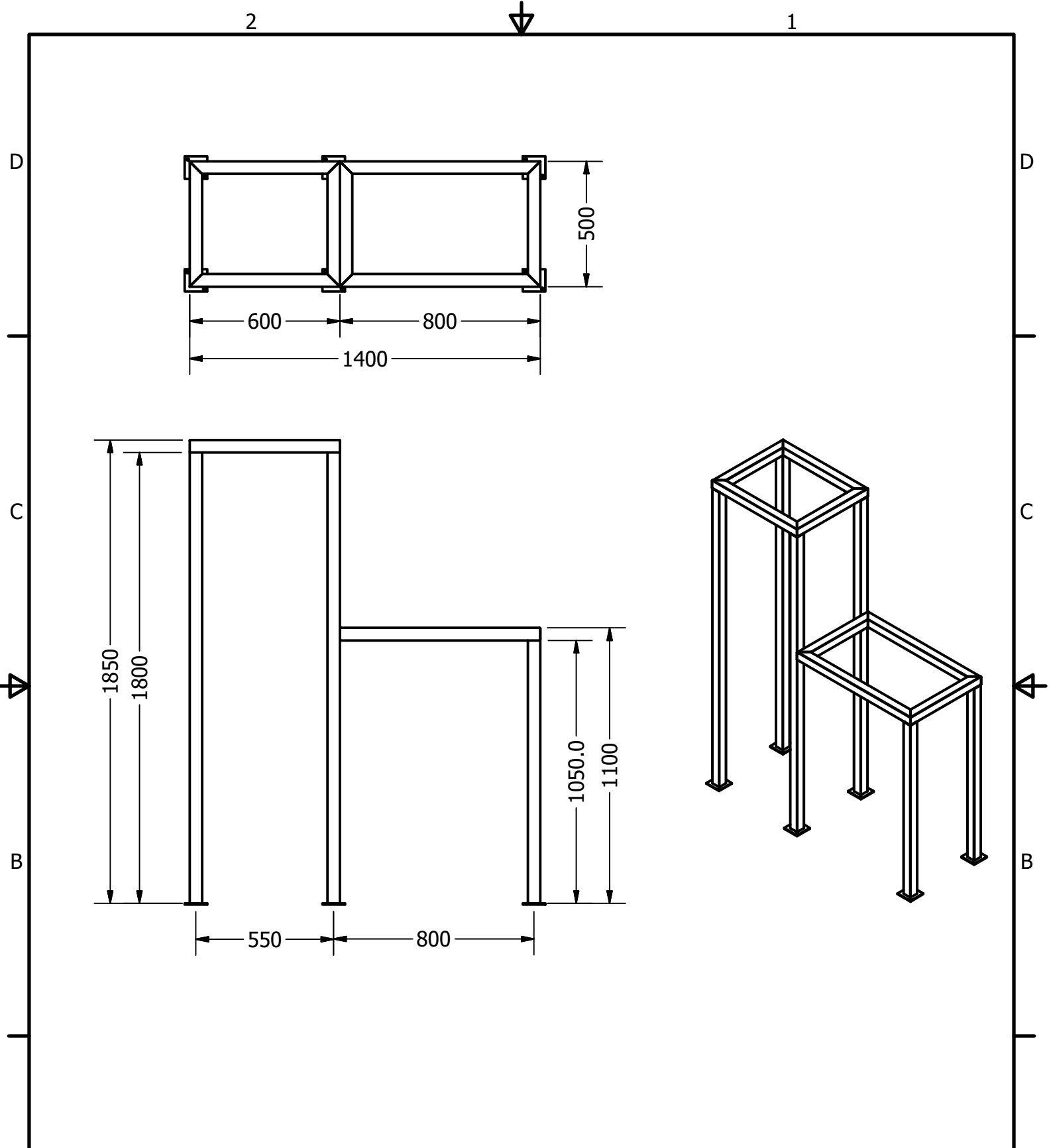
Sheet
30


Date
10.02.21

2

1



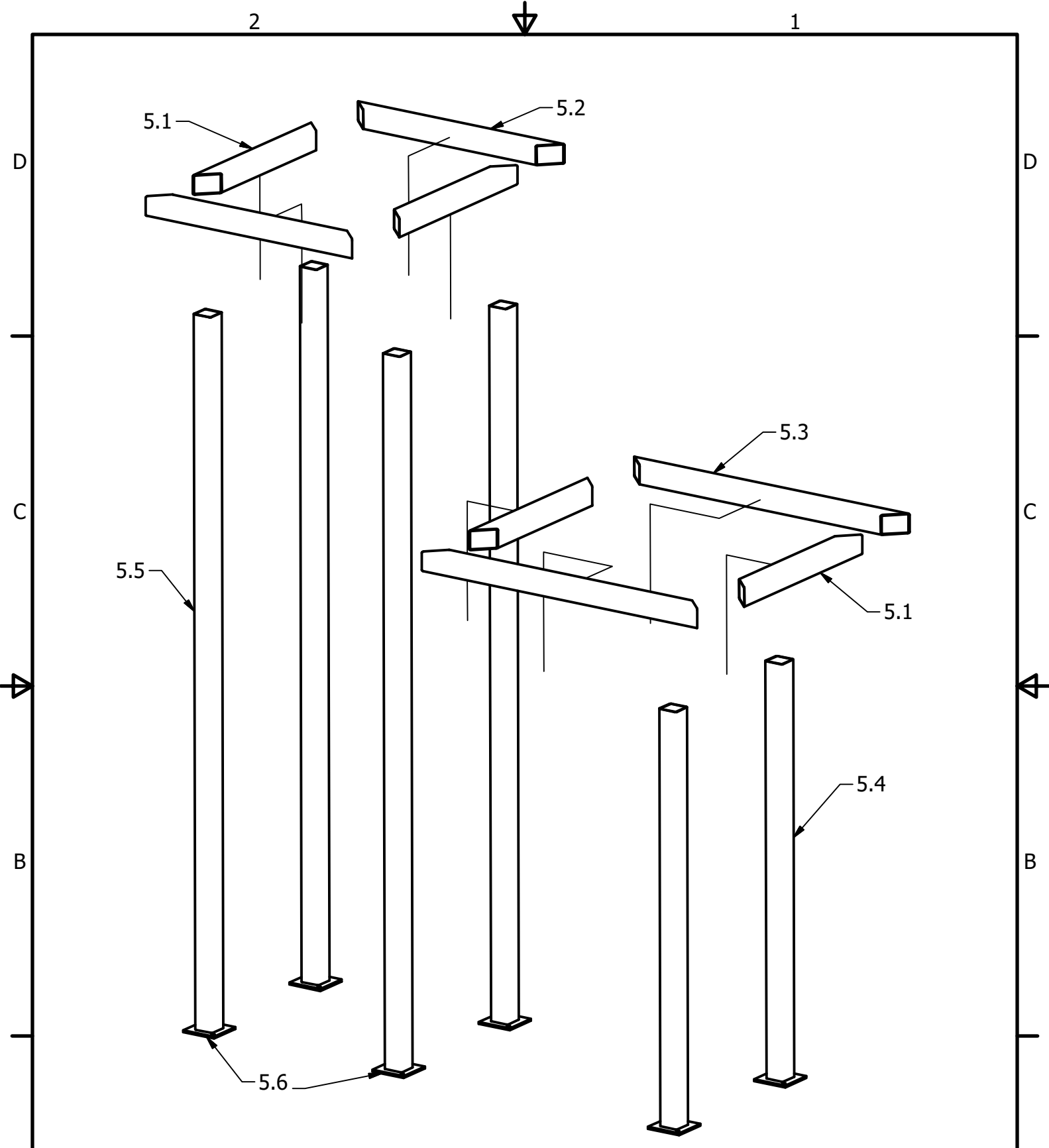



Proyect Zigzag Solar Water Heater		Created by D. Mosquera		Approved by D. Jeager	
Part Name foundation storage tank		Part Code 5	Document Type assembly		Material structural steel
Redesigned by  OPEN SOURCE ECOLOGY GERMANY	Original drawing from WOT University of Twente	License CC-BY-SA	File Name oseg_zsw_h_foundation-structure.iam		Version 1.0
			Scale 1 / 20	Sheet 31	Date 10.02.21

2

4

1



Proyect Zigzag Solar Water Heater		Created by D. Mosquera		Approved by D. Jeager	
Part Name foundation storage tank		Part Code 5		Document Type assembly	
Redesigned by  OPEN SOURCE ECOLOGY GERMANY		Original drawing from WOT University of Twente		License CC-BY-SA	
		File Name oseg_zsw_h_foundation-structure.iam		Version 1.0	
		Scale 1 / 12		Quantity 1	
				Sheet 32	
				Date 10.02.21	

2

4

1

2

1

D

D

C

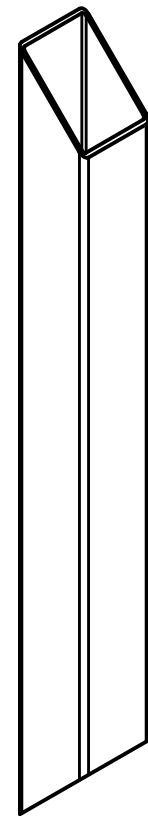
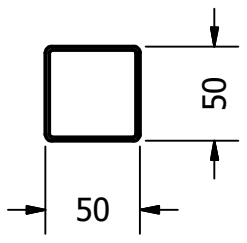
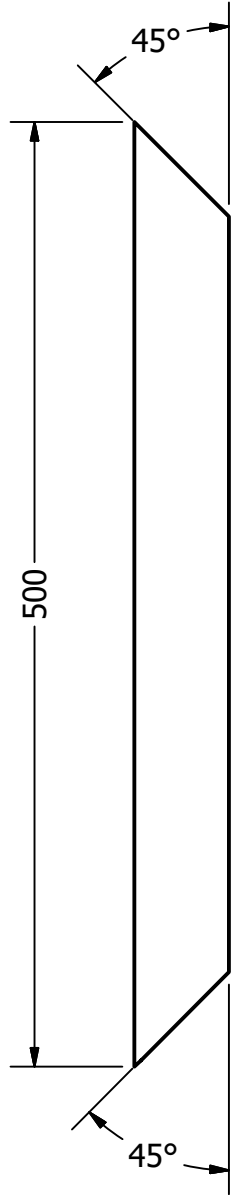
C


B

B

A

A



Proyect Zigzag Solar Water Heater		Created by D. Mosquera		Approved by D. Jeager	
Part Name steel pipe 50x50x500		Part Code 5.1		Document Type part	
Material structural steel		Version 1.0		Quantity 4	
Redesigned by  OPEN SOURCE ECOLOGY GERMANY		Original drawing from WOT University of Twente		File Name cseg_zsw_h_steel-pipe 50x50x500.ipt	
License CC-BY-SA		Scale 1 / 4		Sheet 33	
				Date 10.02.21	

2

1



2

1

D

D

C

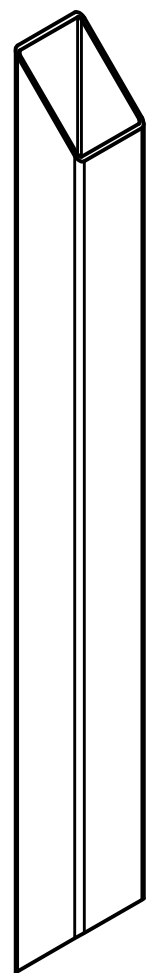
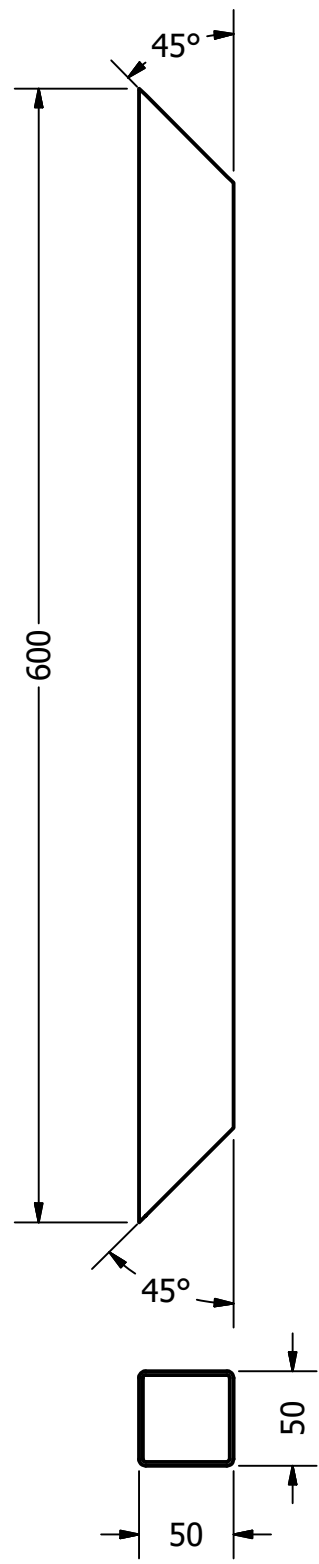
C


B

B

A

A



Proyect Zigzag Solar Water Heater		Created by D. Mosquera		Approved by D. Jeager	
Part Name steel pipe 50x50x600		Part Code 5.2		Document Type part	
Material structural steel		Version 1.0		Quantity 4	
Redesigned by  OPEN SOURCE ECOLOGY GERMANY		Original drawing from WOT University of Twente		License CC-BY-SA	
				File Name oseg_zsw_h_steel-pipe 50x50x600.ipt	
				Scale 1 / 4	
				Sheet 34	
				Date 10.02.21	

2

1



2

1

D

D

C

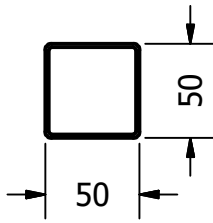
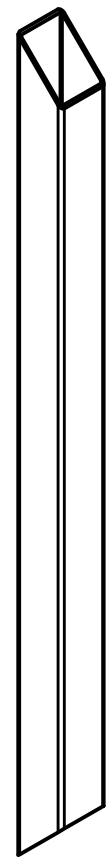
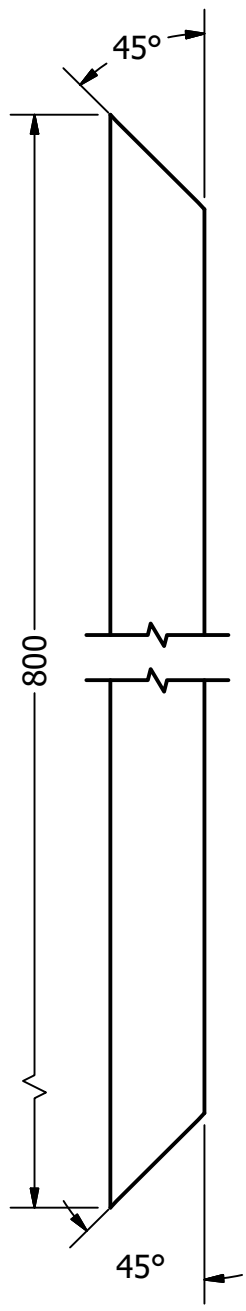
C


B

B

A

A



Proyect Zigzag Solar Water Heater		Created by D. Mosquera		Approved by D. Jeager	
Part Name steel pipe 50x50x800		Part Code 5.3		Document Type part	
Redesigned by 		Original drawing from WOT University of Twente		Material structural steel	
License CC-BY-SA		File Name oseg_zswwh_steel-pipe 50x50x800.ipt		Version 1.0	
		Scale 1 / 4		Quantity 4	
				Date 10.02.21	
				Sheet 35	

2

1



2

1

D

D

C

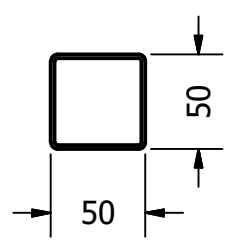
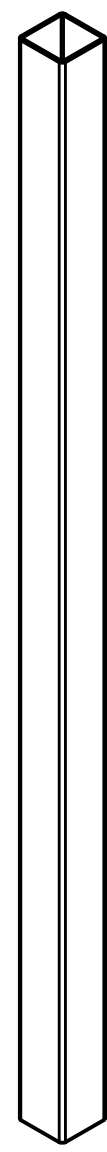
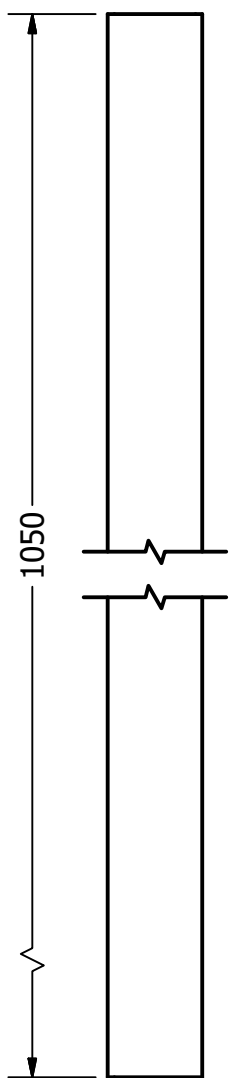
C


B

B

A

A



Proyect Zigzag Solar Water Heater		Created by D. Mosquera		Approved by D. Jeager	
Part Name steel pipe 50x50x1050		Part Code 5.4		Document Type part	
Material structural steel		Version 1.0		Quantity 4	
Redesigned by  OPEN SOURCE ECOLOGY GERMANY		Original drawing from WOT University of Twente		File Name oseg_zsw_h_steel-pipe 50x50x1050.ipt	
License CC-BY-SA		Scale 1 / 4		Date 10.02.21	

2

1



2

1

D

D

C

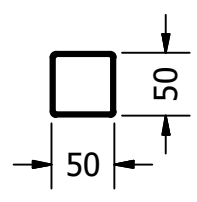
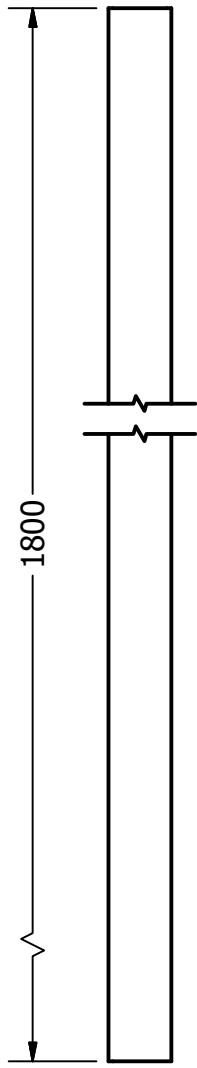
C


B

B

A

A

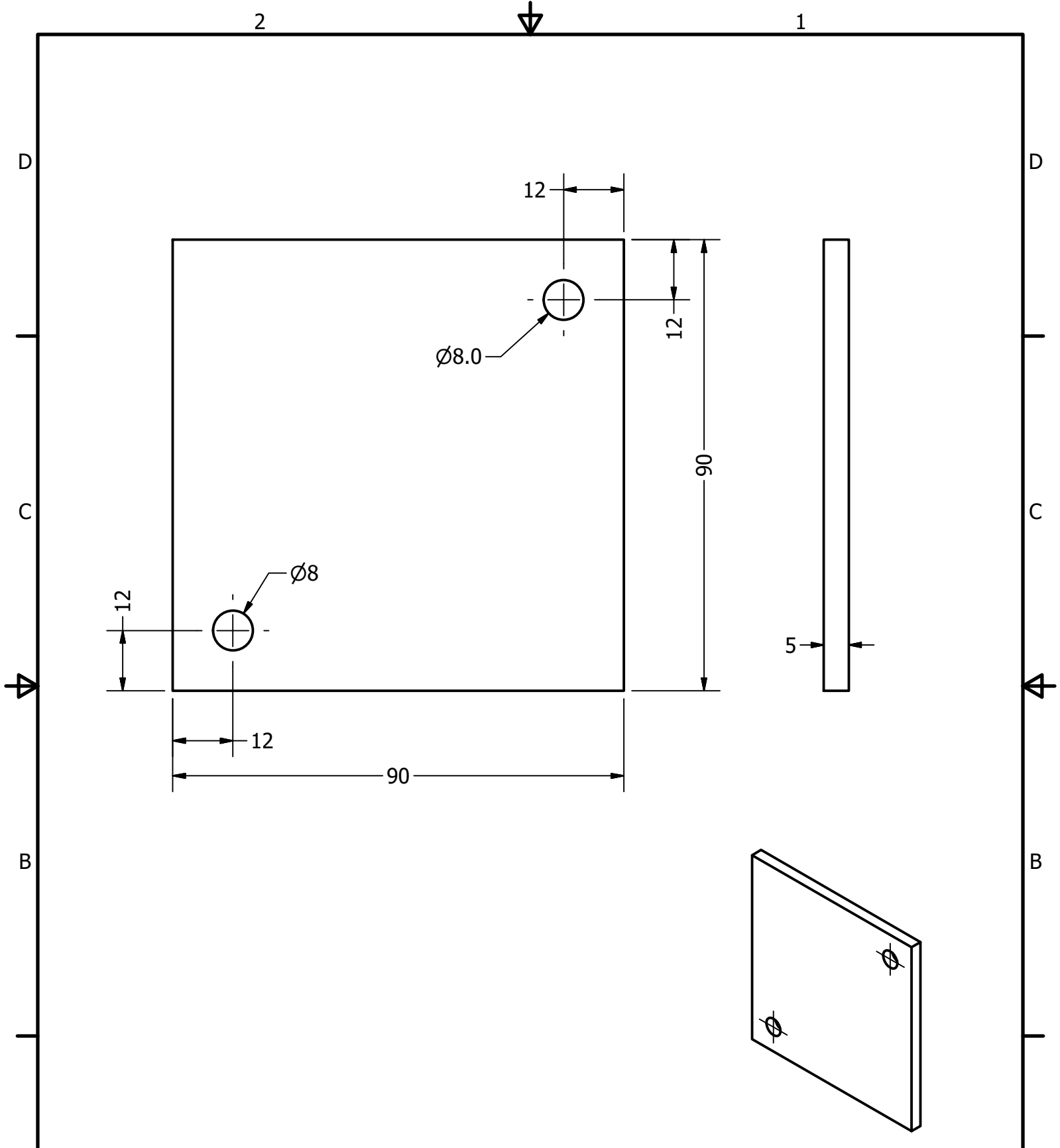



Proyect Zigzag Solar Water Heater		Created by D. Mosquera		Approved by D. Jeager	
Part Name steel pipe 50x50x1800		Part Code 5.5		Document Type part	
Redesigned by  OPEN SOURCE ECOLOGY GERMANY		Original drawing from WOT University of Twente		License CC-BY-SA	
		File Name oseg_zsw_h_steel-pipe 50x50x1800.ipt		Version 1.0	
		Scale 1 / 6		Quantity 4	
				Sheet 37	
				Date 10.02.21	

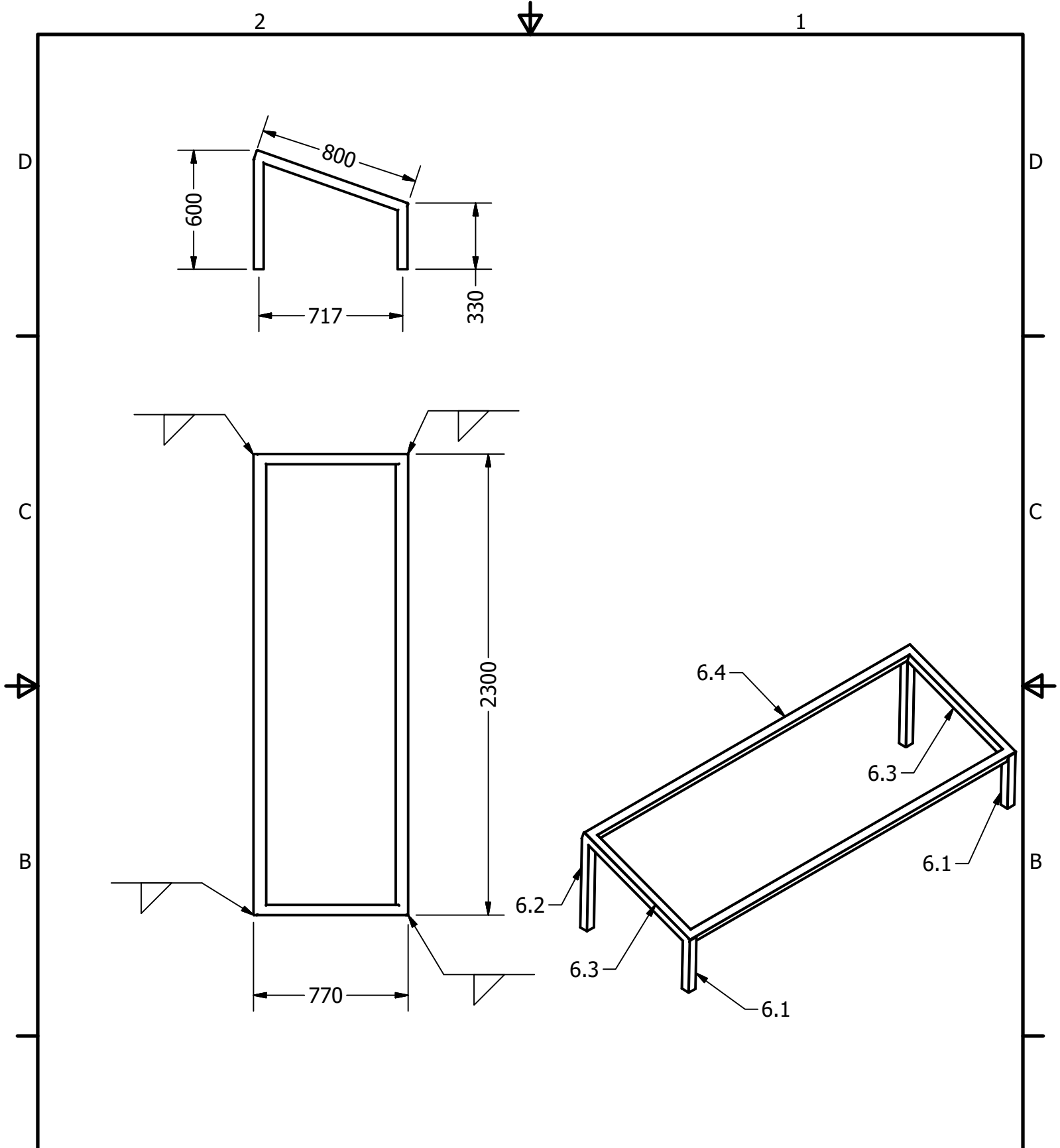
2


1





Proyect Zigzag Solar Water Heater		Created by D. Mosquera		Approved by D. Jeager		
Part Name rectabgular flancher 90x90x5		Part Code 5.6		Document Type part		Material structural steel
Redesigned by  OPEN SOURCE ECOLOGY GERMANY	Original drawing from WOT University of Twente	License CC-BY-SA		File Name oseg_zsw_h_rectangular-flancher.ipj		Version 1.0
				Scale 1 : 1		Sheet 38
						Date 10.02.21



Proyect Zigzag Solar Water Heater		Created by D. Mosquera		Approved by D. Jeager	
Part Name foundation storage tank		Part Code 6	Document Type assembly		Material structural steel
Redesigned by  OPEN SOURCE ECOLOGY GERMANY	Original drawing from WOT University of Twente	License CC-BY-SA	File Name oseg_zswh_base-colletor.ipt		Version 1.0
			Scale 1 / 25	Sheet 39	Quantity 1
				Date 10.02.21	

2

1

D

D

C

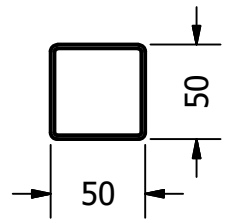
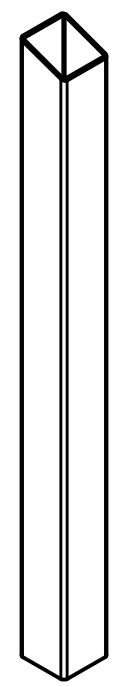
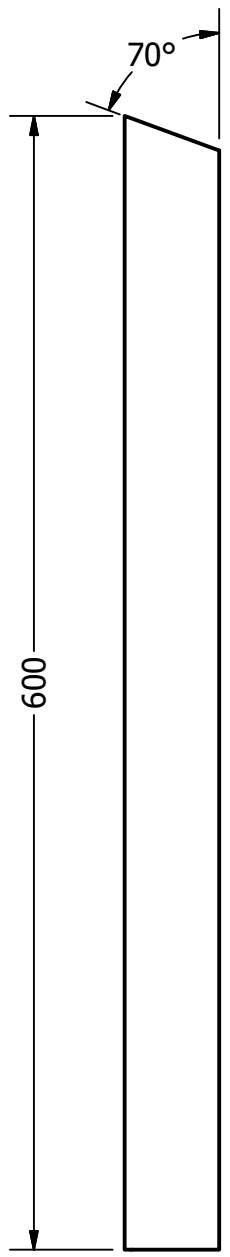
C


B

B

A

A



Proyect Zigzag Solar Water Heater		Created by D. Mosquera		Approved by D. Jeager	
Part Name steel pipe 50x50x330		Part Code 6.1		Document Type part	
Material structural steel		Version 1.0		Quantity 4	
Redesigned by  OPEN SOURCE ECOLOGY GERMANY	Original drawing from WOT University of Twente	License CC-BY-SA	File Name oseg_zsw_h_steel-pipe 50x50x330.ipt	Scale 1 / 4	Date 10.02.21

2

1



2

1

D

D

C

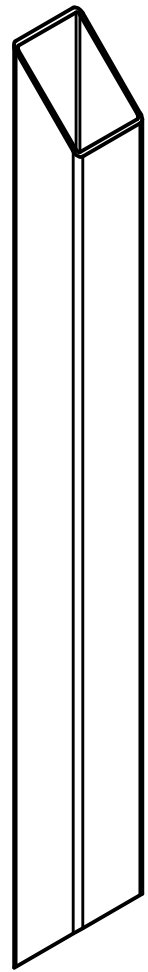
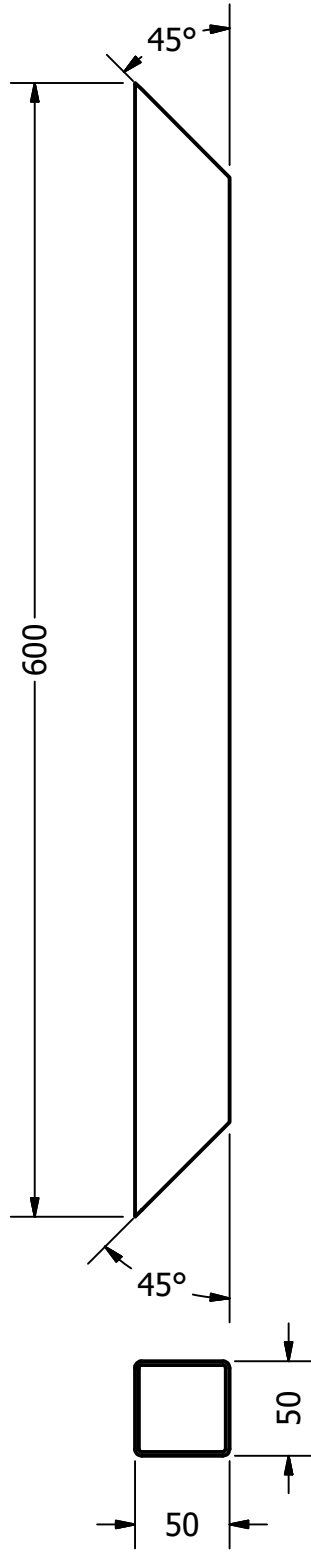
C


B

B

A

A



Proyect Zigzag Solar Water Heater		Created by D. Mosquera		Approved by D. Jeager	
Part Name steel pipe 50x50x600		Part Code 6.2		Document Type part	
Redesigned by 		Original drawing from WOT University of Twente		License CC-BY-SA	
		File Name oseg_zsw_h_steel-pipe 50x50x600.ipt		Version 1.0	
		Scale 1 / 4		Quantity 4	
				Date 10.02.21	
				Sheet 41	

2

1



2

1

D

D

C

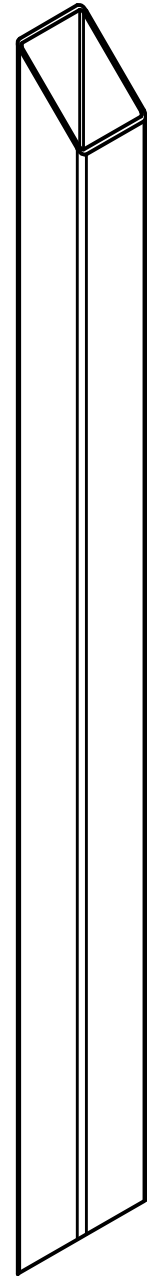
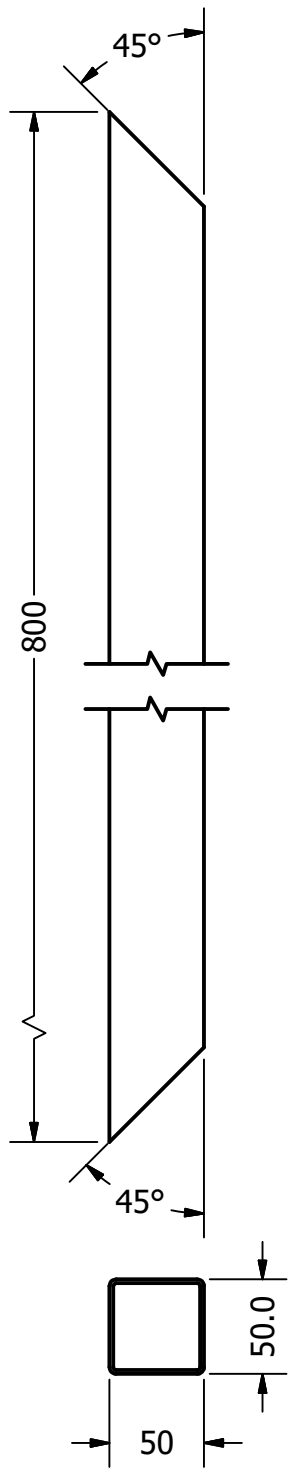
C


B

B

A

A



Proyect Zigzag Solar Water Heater		Created by D. Mosquera		Approved by D. Jeager	
Part Name steel pipe 50x50x800		Part Code 6.3		Document Type part	
Material structural steel		Version 1.0		Quantity 4	
Redesigned by  OPEN SOURCE ECOLOGY GERMANY	Original drawing from WOT University of Twente	License CC-BY-SA	File Name oseg_zsw_h_steel-pipe 50x50x800.ipt	Scale 1 / 4	Date 10.02.21

2

1



2

1

D

D

C

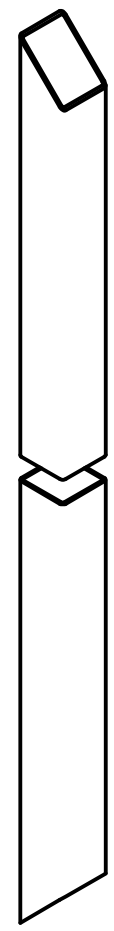
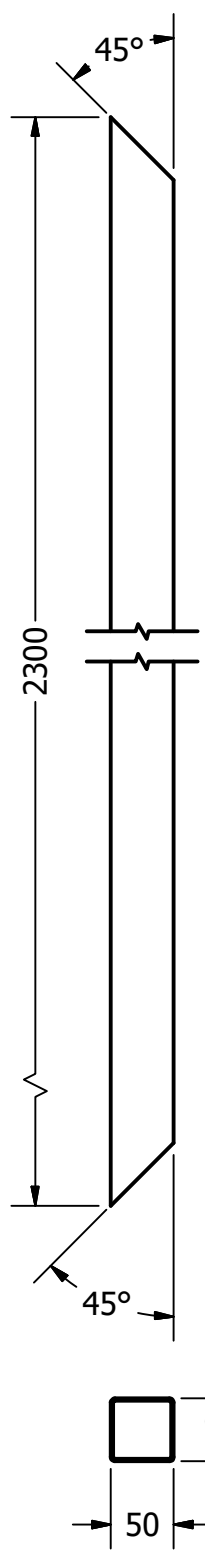
C


B

B

A

A



Proyect Zigzag Solar Water Heater		Created by D. Mosquera		Approved by D. Jeager	
Part Name steel pipe 50x50x2300		Part Code 6.4		Document Type part	
Material structural steel		Version 1.0		Quantity 4	
Redesigned by  OPEN SOURCE ECOLOGY GERMANY		Original drawing from WOT University of Twente		File Name oseg_zsw_h_steel-pipe 50x50x2300.ipt	
License CC-BY-SA		Scale 1 / 6		Date 10.02.21	

2

1

