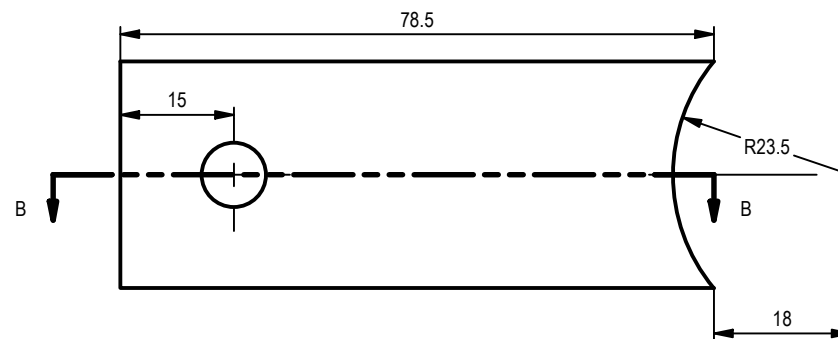
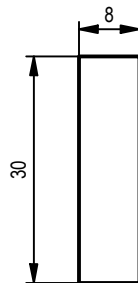



SECTION B-B
SCALE 1 : 1



PROJECT LONG ANDRE CARGO BIKE A		CREATED BY A. PARDO		APPROVED BY D. Jaeger	
PART NAME wl_lacb_1.9_Short-steering-leve		PART CODE 1.9		DOCUMENT TYPE Production	
 <p>Open Source Ecology e.V. Knobelsdorffstr. 22 14059 Berlin www.ose-germany.de +49 (0) 30 / 92282426</p> <p>OPEN SOURCE ECOLOGY GERMANY</p>		LICENSE CERN-OHL		FILE NAME wl_lacb_1.9_Short-steering-lever.ipt	
		SCALE 1 : 1		MATERIAL A36	
		VERSION 1.0		QUANTITY 1	
		SHEET 11		DATE 28/12/2020	