

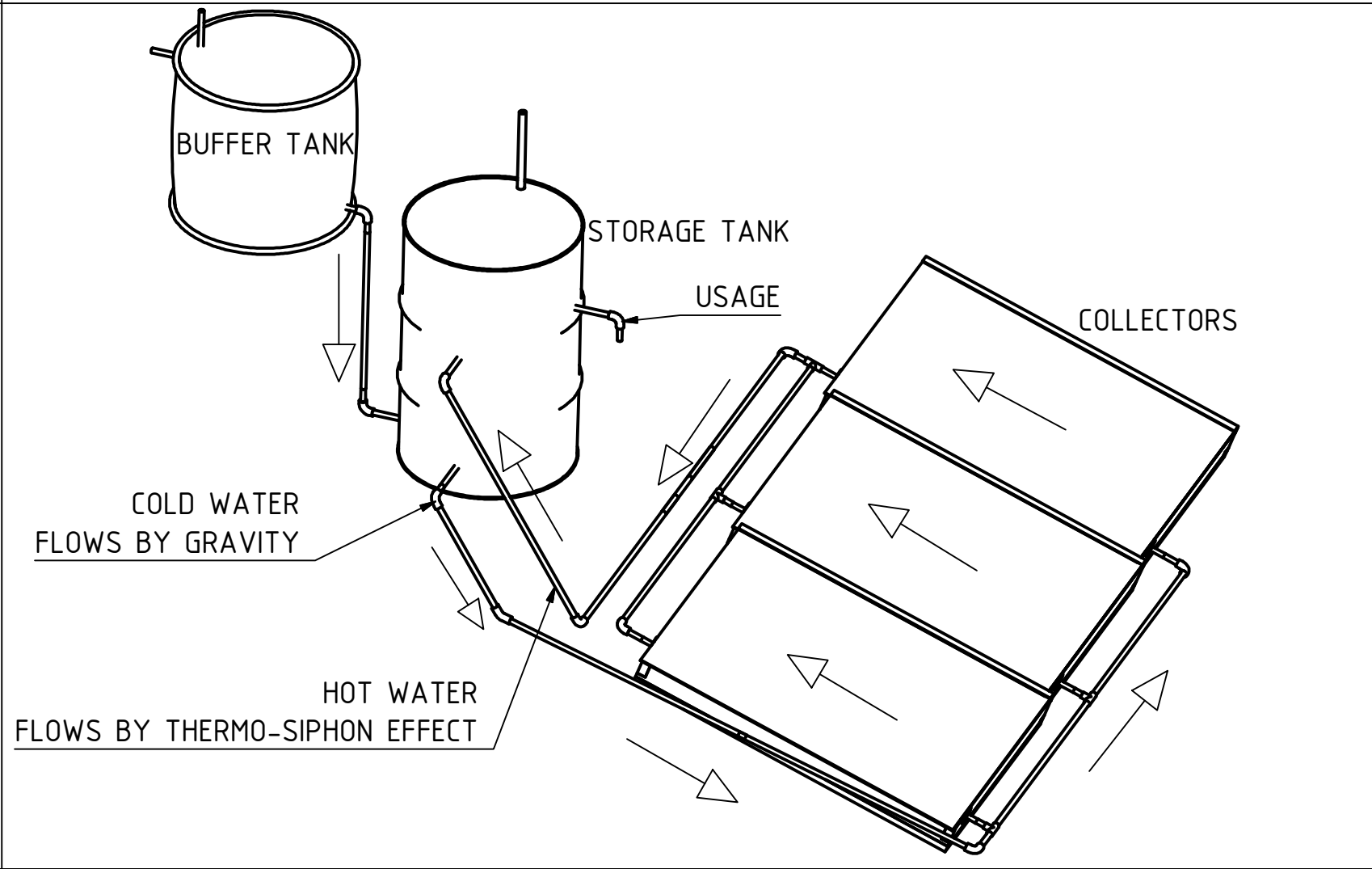
TECHNICAL NOTES



NOTES

CONTENT

HYDRAULIC SCHEME

BASIC HYDRAULIC SCHEME WITH FLOW DIRECTIONS



PROJECT		CREATED BY	APPROVED BY		
ZIGZAG SOLAR WATER HEATER		D. MOSQUERA	D. JAEGER		
PART NAME		PART CODE	DOCUMENT TYPE	MATERIAL	
oseg_zswh_zigzag-solar-water-heater		C2	TECH. NOTES		
DEVELOPED BY	REDESIGNED BY	LICENCE	FILE NAME	VERSION	QUANTITY
		CC-BY-SA	oseg_zswh_A1_zigzag-solar-water-heater.iarm	1.1	
WOT-UNIVERSITY OF TWENTE			SCALE	SHEET	DATE
				9 / 54	4/3/2021