
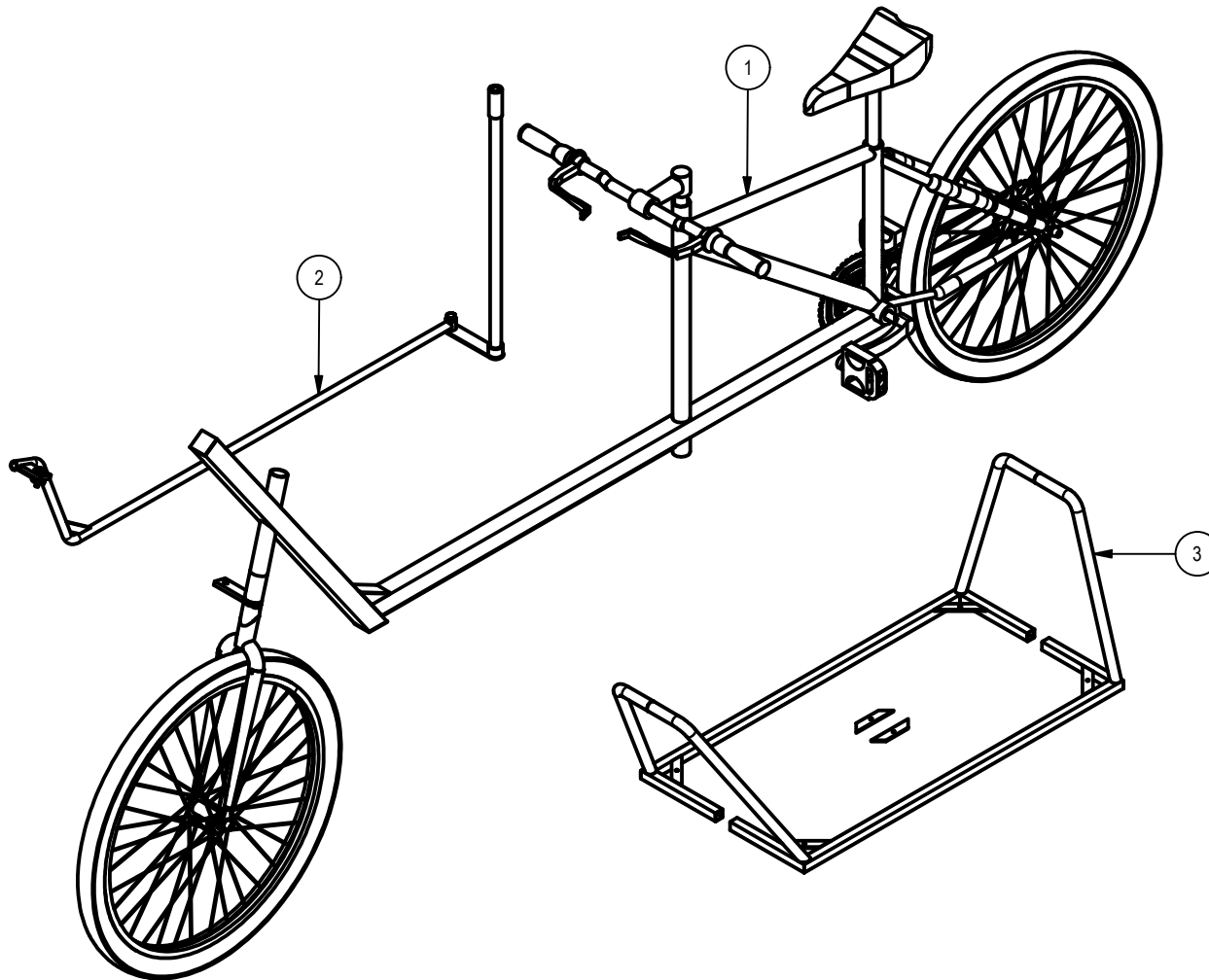





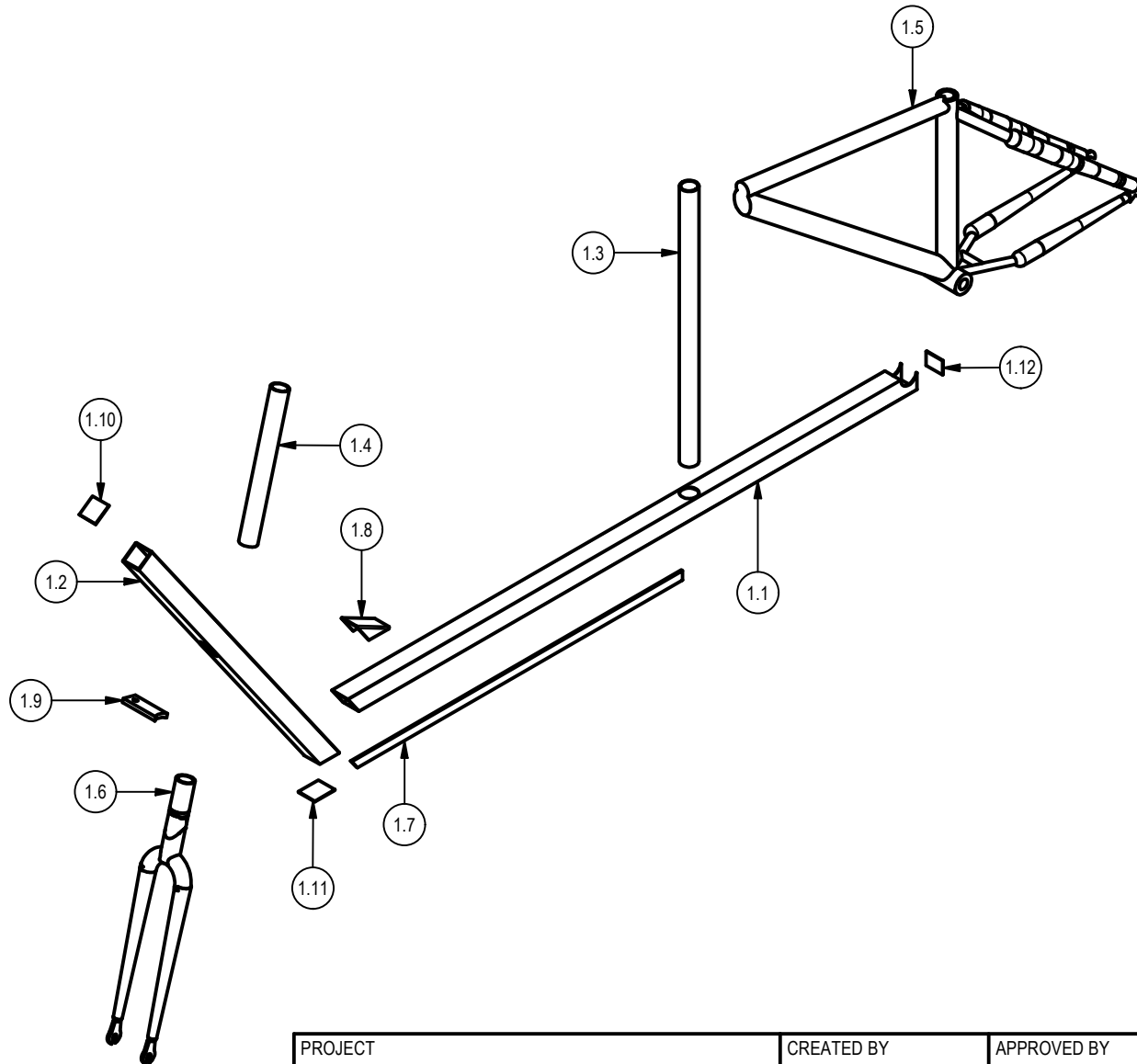
PROJECT <b>LONG ANDRE CARGO BIKE A</b>		CREATED BY <b>A. PARDO</b>		APPROVED BY <b>D. Jaeger</b>	
PART NAME <b>Long André Cargo Bike A</b>		PART CODE <b>A1</b>		DOCUMENT TYPE	
 <p>Open Source Ecology e.V. Knobelsdorffstr. 22 14059 Berlin www.ose-germany.de +49 (0) 30 / 92282426</p>		LICENSE <b>CERN-OHL</b>		FILE NAME Long André Cargo Bike A.iam	
		SCALE 1 / 15		VERSION 1.0	
		SHEET 1		QUANTITY 1	
		DATE 31/12/2020			




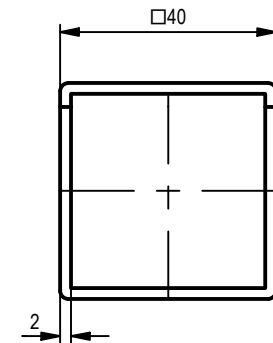
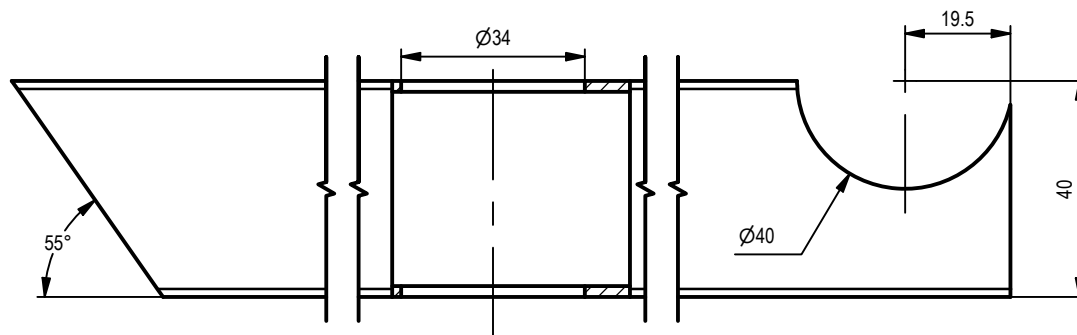
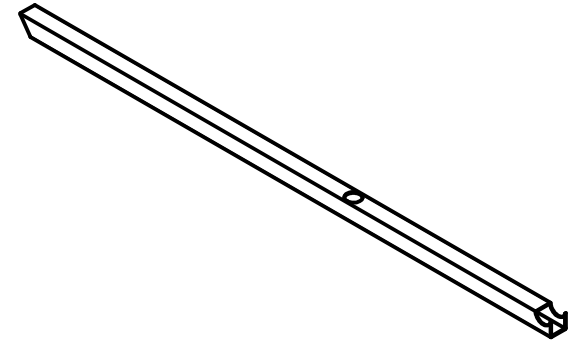
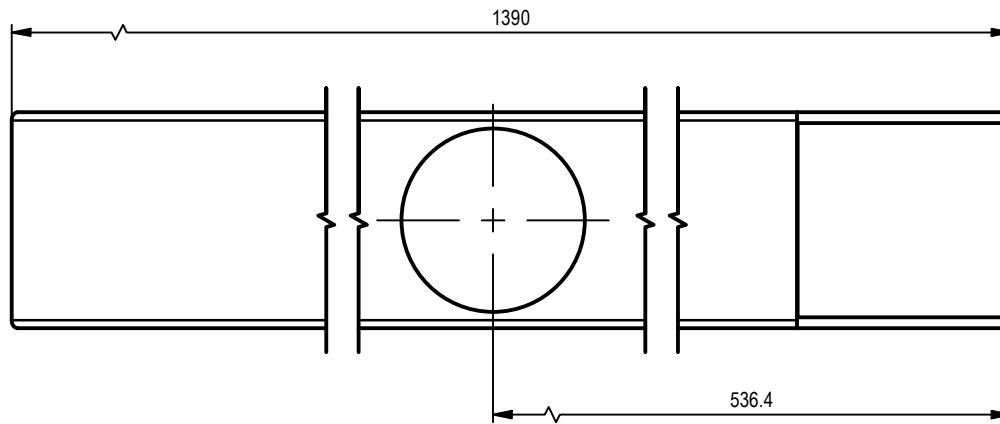
PROJECT <b>LONG ANDRE CARGO BIKE A</b>		CREATED BY <b>A. PARDO</b>		APPROVED BY <b>D. Jaeger</b>	
PART NAME <b>Long André Cargo Bike A</b>		PART CODE <b>A2</b>		DOCUMENT TYPE	
 <p>Open Source Ecology e.V. Knobelsdorffstr. 22 14059 Berlin www.ose-germany.de +49 (0) 30 / 92282426</p>		LICENSE <b>CERN-OHL</b>		FILE NAME Long André Cargo Bike A.iam	
		SCALE 1 / 14		VERSION 1.0	
		SHEET 2		QUANTITY	
		DATE 31/12/2020			


PARTS LIST							
POS.	POS. OLD	QTY	PART NAME	FILE NAME	PART TYPE	SPECIFICATION	SHEET
A1		1	LONG ANDRE CARGO BIKE A	Long André Cargo Bike A.iam			1
A2		1	LONG ANDRE CARGO BIKE A	Long André Cargo Bike A.iam			2
B1		1	PARTS LIST	part-list-Long André Cargo Bike A.iam			3
1		1	Assembly1-Long André Cargo Bike	Assembly1-Long André Cargo Bike A.iam			4
1.1	1	1	wl_lacb_1.1_Down-tube	wl_lacb_1.1_Down-tube.ipt	Production	A36	5
1.2	4	1	wl_lacb_1.2_Down-tube-bend	wl_lacb_1.2_Down-tube-bend.ipt	Production	A36	6
1.3	2	1	wl_lacb_1.3_Long-head-tube	wl_lacb_1.3_Long-head-tube.ipt	Production	A36	7
1.4	5	1	wl_lacb_1.4_short-head-tube	wl_lacb_1.4_short-head-tube.ipt	Production	A36	8
1.5	3	1	wl_lacb_1.5_Frame	wl_lacb_1.5_Frame.ipt	Standard		
1.6	8	1	wl_lacb_1.6_Fork-20	wl_lacb_1.6_Fork-20.ipt	Standard		
1.7	7	1	wl_lacb_1.7_Joist	wl_lacb_1.7_Joist.ipt	Production	A36	9
1.8	6	1	wl_lacb_1.8_Stiffening-angle	wl_lacb_1.8_Stiffening-angle.ipt	Production	A36	10
1.9	16	1	wl_lacb_1.9_Short-steering-lever	wl_lacb_1.9_Short-steering-lever.ipt	Production	A36	11
1.10	20	1	wl_lacb_1.10_Cover-plates	wl_lacb_1.10_Cover-plates.ipt	Production	A36	12
1.11	20	1	wl_lacb_1.11_Cover-plates	wl_lacb_1.11_Cover-plates.ipt	Production	A36	13
1.12	20	1	wl_lacb_1.12_Cover-plates	wl_lacb_1.12_Cover-plates.ipt	Production	A36	14
2		1	Assembly2-Long André Cargo Bike A	Assembly2-Long André Cargo Bike A.iam			15
2.1	11	1	wl_lacb_2.1_Bearing-seat-cone	wl_lacb_2.1_Bearing-seat-cone.ipt	Standard		
2.2	12	1	wl_lacb_2.2_Long-steering-lever	wl_lacb_2.2_Long-steering-lever.ipt	Production	A36	16
2.3	13	1	wl_lacb_2.3_Handlebar	wl_lacb_2.3_Handlebar.ipt	Production	A36	17
2.4	14	1	wl_lacb_2.4_Sintered-bearing-housing	wl_lacb_2.4_Sintered-bearing-housing.ipt	Production	A36	18
2.5	15	1	wl_lacb_2.5_Angle-handlebar	wl_lacb_2.5_Angle-handlebar.ipt	Production	A36	19
2.6		1	wl_lacb_2.6_Short-steering-lever	wl_lacb_2.6_Short-steering-lever.ipt	Production	A36	20
2.7	10	1	wl_lacb_2.7_Shaft-extension	wl_lacb_2.7_Shaft-extension.ipt	Production	A36	21
2.8	15	1	wl_lacb_2.8_Angle-handlebar	wl_lacb_2.8_Angle-handlebar.ipt	Production	A36	22
2.9	9	1	wl_lacb_2.9_Steer-tube-1	wl_lacb_2.9_Steer-tube-1.ipt	Standard		
2.10		1	Inner Ring	ANSI_AFBMA 18.1 NR - 10x15x18 - 2_21.ipt	Standard	ANSI_AFBMA 18.1 NR - 10x15x18 - 2_21.ipt	
2.11		1	Hex Jam Nut	ANSI B18.2.4.5M - M10 x 1.5 - 16.ipt	Standard	ANSI B18.2.4.5M - M10 x 1.5 - 16.ipt	
2.12		2	Metric Plain Washers	ANSI B18.22M - 10 N.ipt	Standard	ANSI B18.22M - 10 N.ipt	
2.13		1	Metric Formed Hex Screw - Formed Hex Screw-Metric	ANSI B18.2.3.2M - M10x1,5 x 35.ipt	Standard	ANSI B18.2.3.2M - M10x1,5 x 35.ipt	
2.14		1	Broached Hexagon Socket Head Shoulder Screw-Metric	ANSI B18.3.3M - M6x1 x 31,25.ipt	Standard	ANSI B18.3.3M - M6x1 x 31,25.ipt	
2.15		1	Hex Jam Nut	ANSI B18.2.4.5M - M6 x 1.ipt	Standard	ANSI B18.2.4.5M - M6 x 1.ipt	
2.16		2	Metric Plain Washers	ANSI B18.22M - 8 R.ipt	Standard	ANSI B18.22M - 8 R.ipt	
3		1	Assembly3-Long André Cargo Bike A	Assembly3-Long André Cargo Bike A.iam			23
3.1	17	1	wl_lacb_3.1_Frame-loading-area	wl_lacb_3.1_Frame-loading-area.ipt	Production	A36	24
3.2	17	1	wl_lacb_3.2_Frame-loading-area	wl_lacb_3.2_Frame-loading-area.ipt	Production	A36	25
3.3	19	1	wl_lacb_3.3_Mounting-bracket	wl_lacb_3.3_Mounting-bracket.ipt	Production	A36	26
3.4	18	1	wl_lacb_3.4_Bracket-loading-area	wl_lacb_3.4_Bracket-loading-area.ipt	Production	A36	27
3.5	18	1	wl_lacb_3.5_Bracket-loading-area	wl_lacb_3.5_Bracket-loading-area.ipt	Production	A36	28

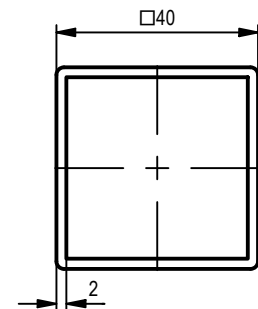
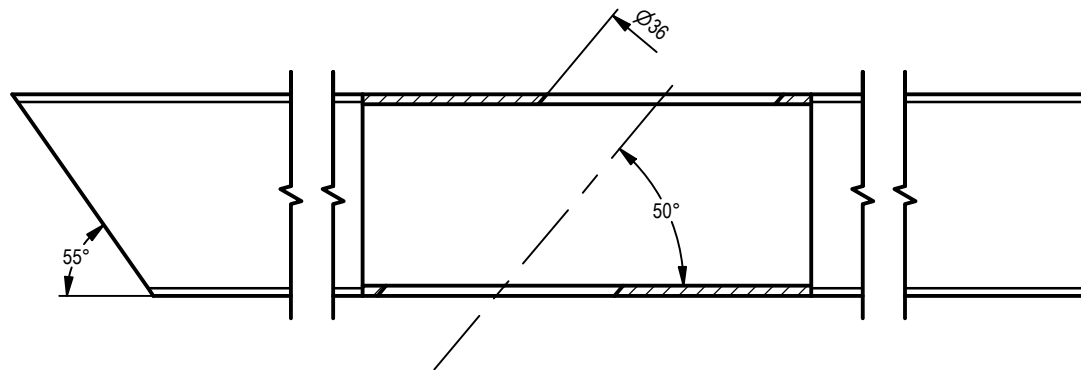
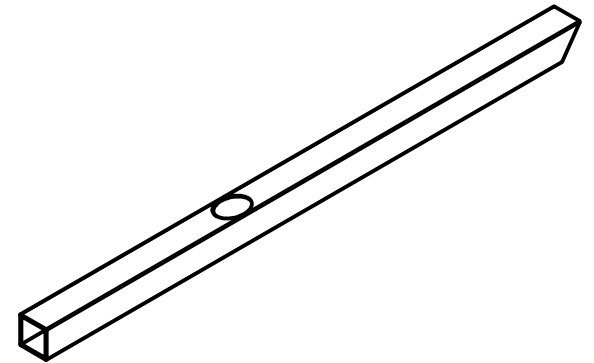
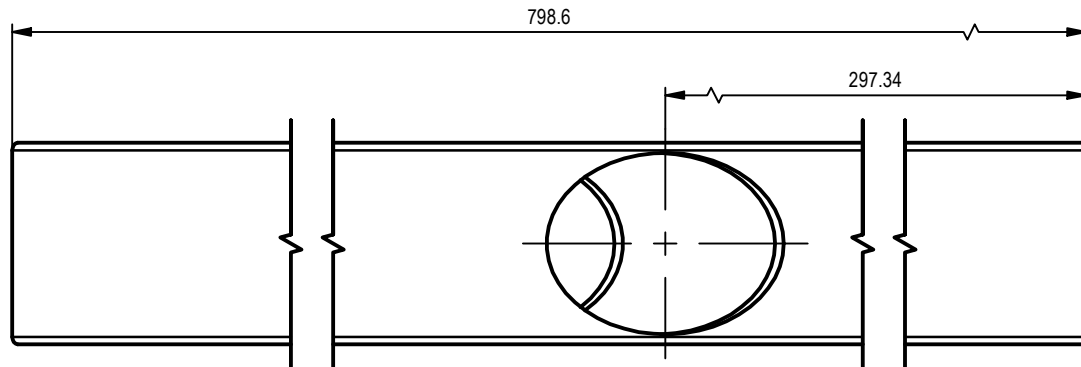
PROJECT LONG ANDRE CARGO BIKE A		CREATED BY A. PARDO	APPROVED BY D. Jaeger	
PART NAME Long André Cargo Bike A		PART CODE B1	DOCUMENT TYPE	MATERIAL
  <p>Open Source Ecology e.V Knobelsdorfstr. 22 14059 Berlin www.ose-germany.de +49 (0) 30 / 92282426</p>	LICENSE CERN-OHL	FILE NAME part-list-Long André Cargo Bike A.iam	VERSION 1.0	QUANTITY
		SCALE 1 / 100	SHEET 3	DATE 30/12/2020




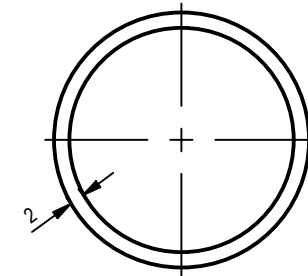
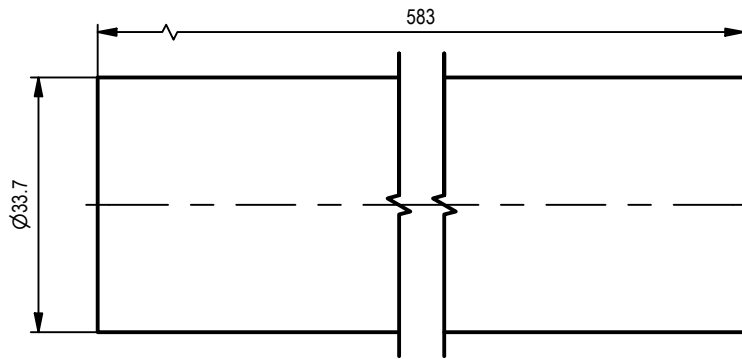
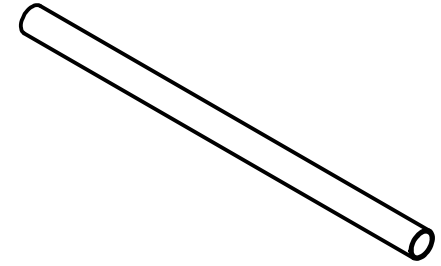
PROJECT <b>LONG ANDRE CARGO BIKE A</b>		CREATED BY A. PARDO		APPROVED BY D. Jaeger	
PART NAME Assembly1-Long André Cargo Bike		PART CODE 1		DOCUMENT TYPE	
 <p>Open Source Ecology e.V. Knobelsdorffstr. 22 14059 Berlin www.ose-germany.de +49 (0) 30 / 92282426</p>		LICENSE <b>CERN-OHL</b>		FILE NAME Assembly1-Long André Cargo Bike A.iam	
		SCALE 1 : 12		VERSION 1.0	
		SHEET 4		QUANTITY	
		DATE 28/12/2020			




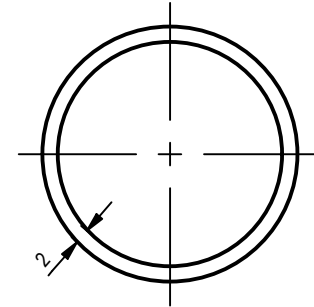
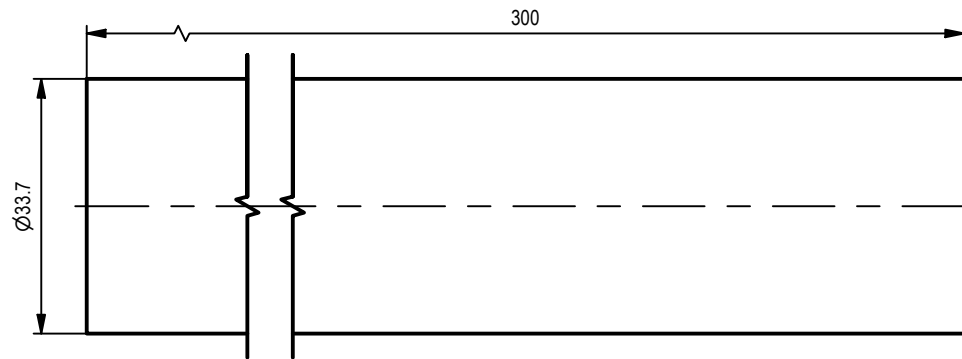
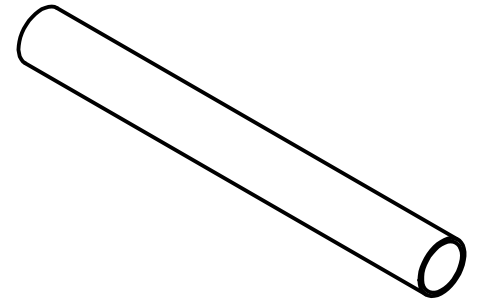
PROJECT LONG ANDRE CARGO BIKE A		CREATED BY A. PARDO		APPROVED BY D. Jaeger	
PART NAME wl_lacb_1.1_Down-tube		PART CODE 1.1		DOCUMENT TYPE Production	
 Open Source Ecology e.V. Knobelsdorffstr. 22 14059 Berlin www.ose-germany.de +49 (0) 30 / 92282426		LICENSE CERN-OHL		FILE NAME wl_lacb_1.1_Down-tube.ipt	
		SCALE 1 : 1.4		MATERIAL A36	
		VERSION 1.0		QUANTITY 1	
		SHEET 5		DATE 28/12/2020	




PROJECT <b>LONG ANDRE CARGO BIKE A</b>		CREATED BY <b>A. PARDO</b>		APPROVED BY <b>D. Jaeger</b>	
PART NAME <b>wl_lacb_1.2_Down-tube-bend</b>		PART CODE <b>1.2</b>		DOCUMENT TYPE <b>Production</b>	
 Open Source Ecology e.V. Knobelsdorffstr. 22 14059 Berlin www.ose-germany.de +49 (0) 30 / 92282426		LICENSE <b>CERN-OHL</b>		FILE NAME <b>wl_lacb_1.2_Down-tube-bend.ipt</b>	
		SCALE <b>1 : 1.5</b>		MATERIAL <b>A36</b>	
		VERSION <b>1.0</b>		QUANTITY <b>1</b>	
		SHEET <b>6</b>		DATE <b>28/12/2020</b>	

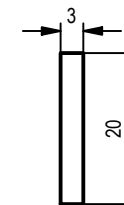
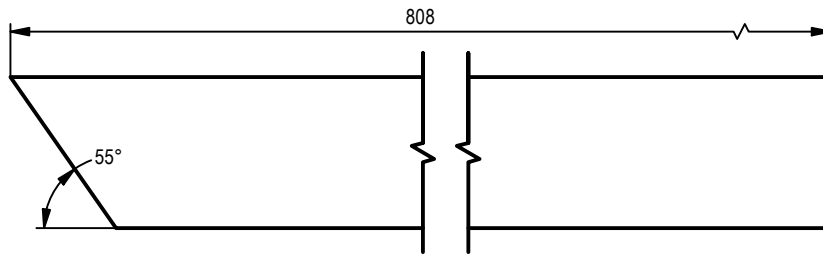
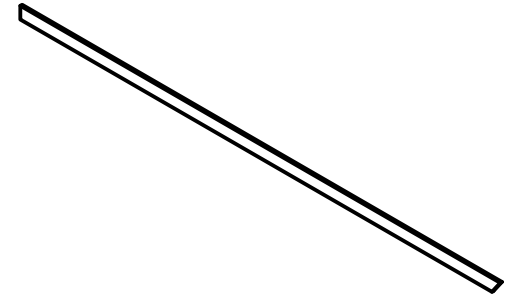



PROJECT LONG ANDRE CARGO BIKE A		CREATED BY A. PARDO		APPROVED BY D. Jaeger	
PART NAME wl_lacb_1.3_Long-head-tube		PART CODE 1.3		DOCUMENT TYPE Production	
 Open Source Ecology e.V. Knobelsdorffstr. 22 14059 Berlin <a href="http://www.ose-germany.de">www.ose-germany.de</a> +49 (0) 30 / 92282426		LICENSE CERN-OHL		FILE NAME wl_lacb_1.3_Long-head-tube.ipt	
		SCALE 1 : 1		MATERIAL A36	
		VERSION 1.0		QUANTITY 1	
		SHEET 7		DATE 28/12/2020	

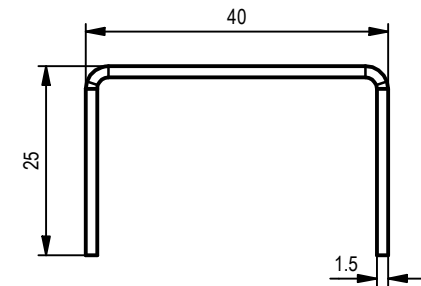
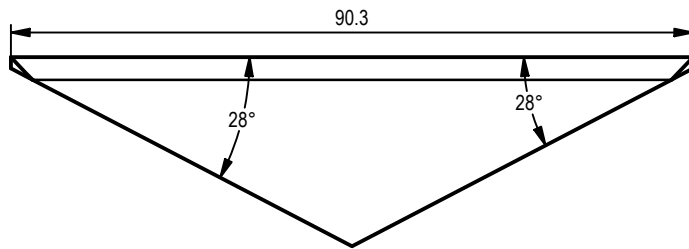
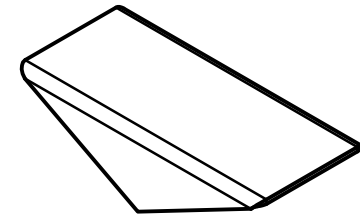
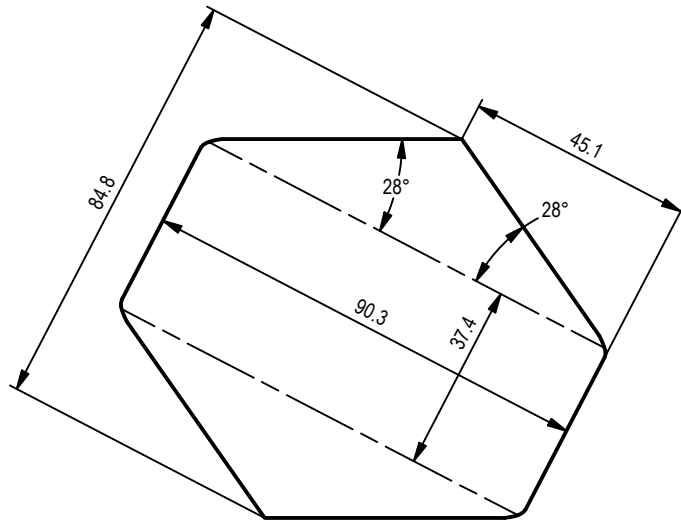



PROJECT LONG ANDRE CARGO BIKE A		CREATED BY A. PARDO		APPROVED BY D. Jaeger	
PART NAME wl_lacb_1.4_short-head-tube		PART CODE 1.4		DOCUMENT TYPE Production	
 Open Source Ecology e.V. Knobelsdorffstr. 22 14059 Berlin www.ose-germany.de +49 (0) 30 / 92282426		LICENSE CERN-OHL		FILE NAME wl_lacb_1.4_short-head-tube.ipt	
		SCALE 1 : 1		MATERIAL A36	
		VERSION 1.0		QUANTITY 1	
		SHEET 8		DATE 28/12/2020	

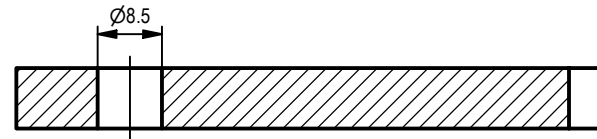
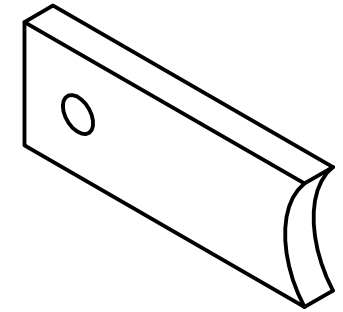




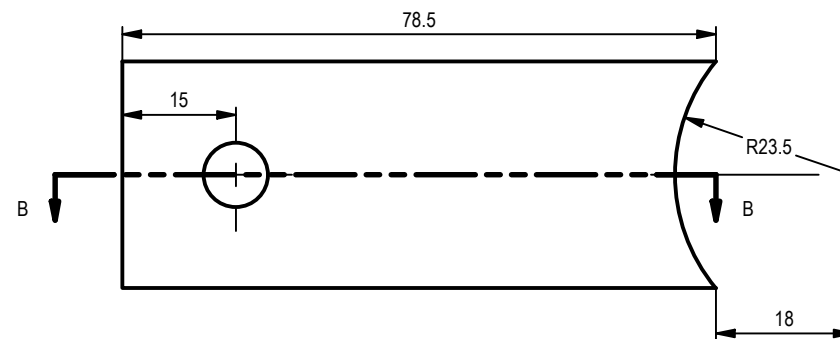
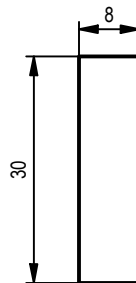
PROJECT LONG ANDRE CARGO BIKE A		CREATED BY A. PARDO		APPROVED BY D. Jaeger	
PART NAME wl_lacb_1.7_Joist		PART CODE 1.7		DOCUMENT TYPE Production	
 Open Source Ecology e.V. Knobelsdorffstr. 22 14059 Berlin <a href="http://www.ose-germany.de">www.ose-germany.de</a> +49 (0) 30 / 92282426		LICENSE CERN-OHL		FILE NAME wl_lacb_1.7_Joist.ipt	
		SCALE 1 : 1		MATERIAL A36	
		VERSION 1.0		QUANTITY 1	
		SHEET 9		DATE 28/12/2020	




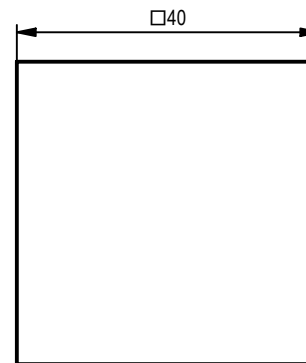
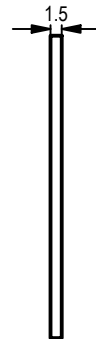
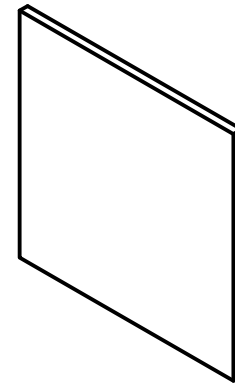
PROJECT LONG ANDRE CARGO BIKE A		CREATED BY A. PARDO		APPROVED BY D. Jaeger	
PART NAME wl_lacb_1.8_Stiffening-angle		PART CODE 1.8		DOCUMENT TYPE Production	
 <p>Open Source Ecology e.V Knobelsdorffstr. 22 14059 Berlin www.ose-germany.de +49 (0) 30 / 92282426</p>		LICENSE CERN-OHL		FILE NAME wl_lacb_1.8_Stiffening-angle.ipt	
		SCALE 1 : 1.5		MATERIAL A36	
		VERSION 1.0		QUANTITY 1	
		SHEET 10		DATE 28/12/2020	




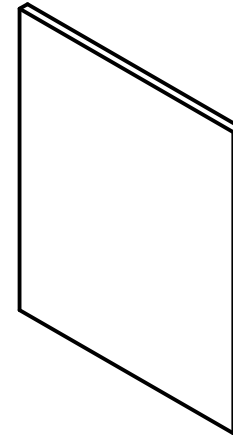
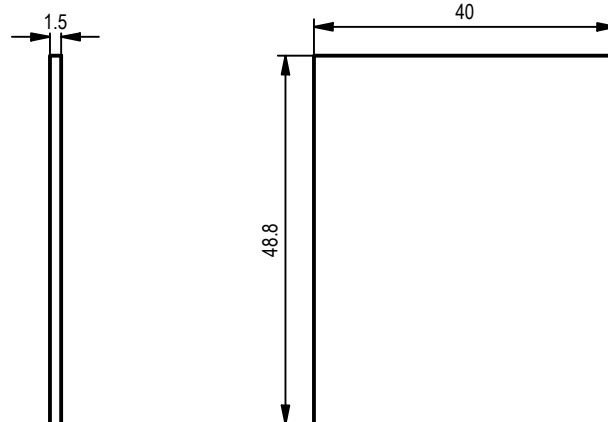
SECTION B-B  
SCALE 1 : 1




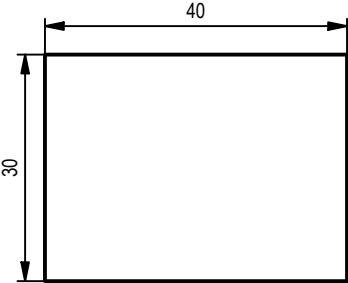
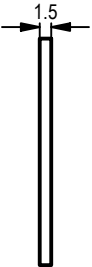
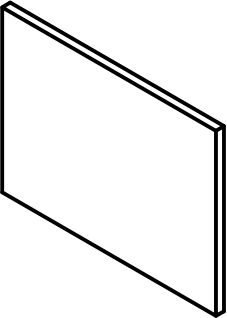
PROJECT <b>LONG ANDRE CARGO BIKE A</b>		CREATED BY <b>A. PARDO</b>		APPROVED BY <b>D. Jaeger</b>	
PART NAME <b>wl_lacb_1.9_Short-steering-leve</b>		PART CODE <b>1.9</b>		DOCUMENT TYPE <b>Production</b>	
 <p>Open Source Ecology e.V. Knobelsdorfstr. 22 14059 Berlin www.ose-germany.de +49 (0) 30 / 92282426</p>		LICENSE <b>CERN-OHL</b>		FILE NAME <b>wl_lacb_1.9_Short-steering-lever.ipt</b>	
		SCALE <b>1 : 1</b>		MATERIAL <b>A36</b>	
		VERSION <b>1.0</b>		QUANTITY <b>1</b>	
		SHEET <b>11</b>		DATE <b>28/12/2020</b>	




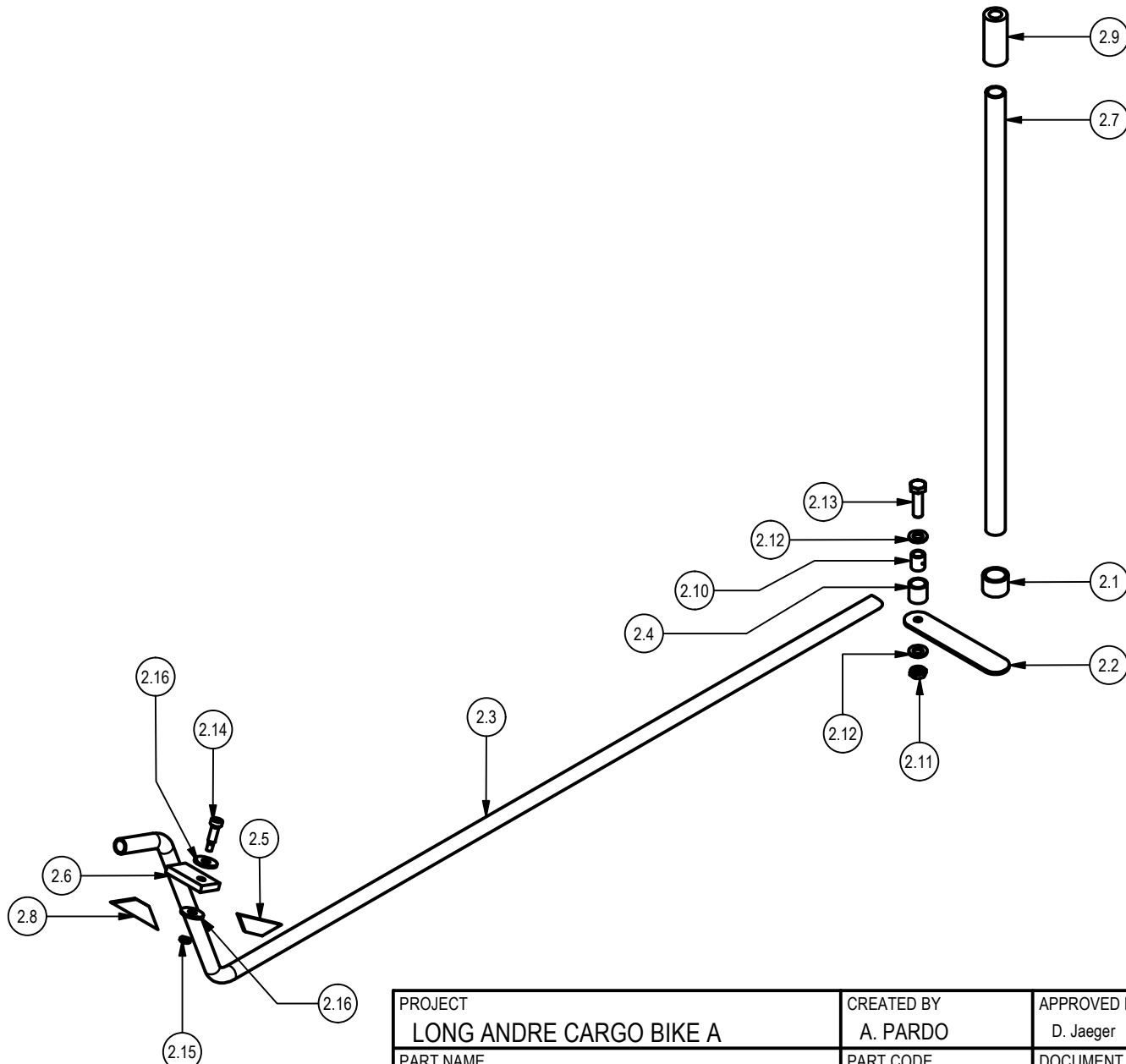
PROJECT LONG ANDRE CARGO BIKE A		CREATED BY A. PARDO		APPROVED BY D. Jaeger	
PART NAME wl_lacb_1.10_Cover-plates		PART CODE 1.10		DOCUMENT TYPE Production	
 <p>Open Source Ecology e.V Knobelsdorffstr. 22 14059 Berlin www.ose-germany.de +49 (0) 30 / 92282426</p>		LICENSE CERN-OHL		FILE NAME wl_lacb_1.10_Cover-plates.ipt	
		SCALE 1 : 1		MATERIAL A36	
		VERSION 1.0		QUANTITY 1	
		SHEET 12		DATE 30/12/2020	




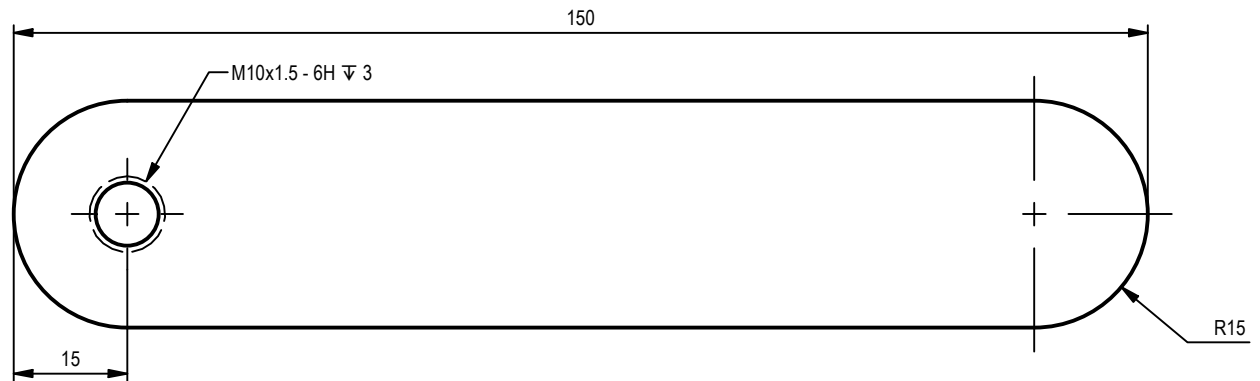
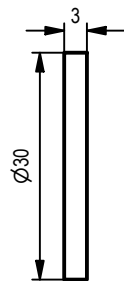
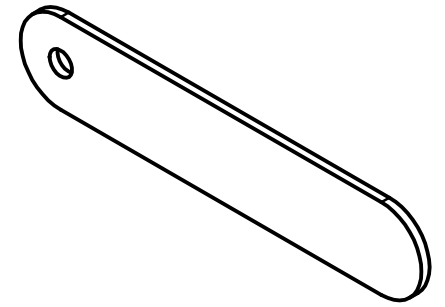
PROJECT LONG ANDRE CARGO BIKE A		CREATED BY A. PARDO		APPROVED BY D. Jaeger	
PART NAME wl_lacb_1.11_Cover-plates		PART CODE 1.11		DOCUMENT TYPE Production	
 <p>Open Source Ecology e.V Knobelsdorffstr. 22 14059 Berlin www.ose-germany.de +49 (0) 30 / 92282426</p>		LICENSE CERN-OHL		FILE NAME wl_lacb_1.11_Cover-plates.ipt	
		SCALE 1 : 1		MATERIAL A36	
		VERSION 1.0		QUANTITY 1	
		SHEET 13		DATE 30/12/2020	




PROJECT LONG ANDRE CARGO BIKE A		CREATED BY A. PARDO		APPROVED BY D. Jaeger	
PART NAME wl_lacb_1.12_Cover-plates		PART CODE 1.12		DOCUMENT TYPE Production	
 <p>Open Source Ecology e.V Knobelsdorffstr. 22 14059 Berlin www.ose-germany.de +49 (0) 30 / 92282426</p>		LICENSE CERN-OHL		FILE NAME wl_lacb_1.12_Cover-plates.ipt	
		SCALE 1 : 1		MATERIAL A36	
		VERSION 1.0		QUANTITY 1	
		SHEET 14		DATE 30/12/2020	

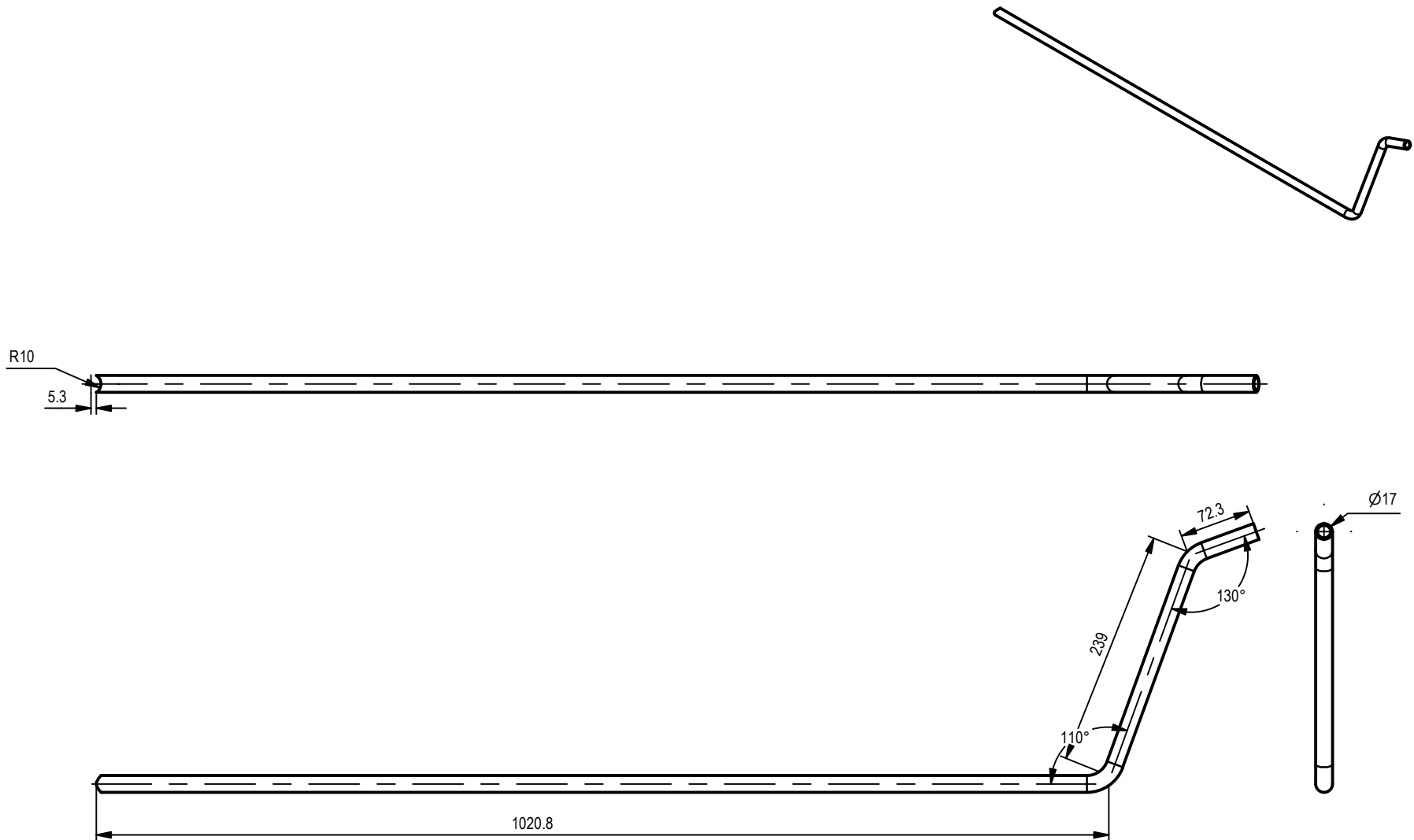



PROJECT <b>LONG ANDRE CARGO BIKE A</b>		CREATED BY A. PARDO		APPROVED BY D. Jaeger	
PART NAME Assembly2-Long André Cargo Bike A		PART CODE 2		DOCUMENT TYPE	
 Open Source Ecology e.V. Knobelsdorffstr. 22 14059 Berlin www.ose-germany.de +49 (0) 30 / 92282426		LICENSE <b>CERN-OHL</b>		FILE NAME Assembly2-Long André Cargo Bike A.iam	VERSION 1.0
				SCALE 1 : 7	SHEET 15

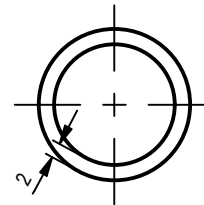
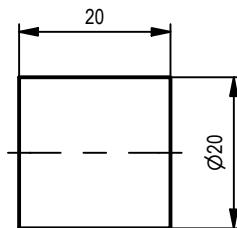
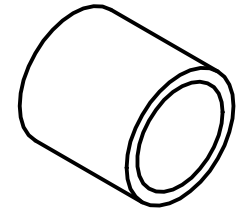



PROJECT <b>LONG ANDRE CARGO BIKE A</b>		CREATED BY <b>A. PARDO</b>		APPROVED BY <b>D. Jaeger</b>	
PART NAME <b>wl_lacb_2.2 Long-steering-lever</b>		PART CODE <b>2.2</b>		DOCUMENT TYPE <b>Production</b>	
 Open Source Ecology e.V. Knobelsdorffstr. 22 14059 Berlin <a href="http://www.ose-germany.de">www.ose-germany.de</a> +49 (0) 30 / 92282426		LICENSE <b>CERN-OHL</b>		FILE NAME <b>wl_lacb_2.2_Long-steering-lever.ipt</b>	
		SCALE <b>1 : 1</b>		MATERIAL <b>A36</b>	
		VERSION <b>1.0</b>		QUANTITY <b>1</b>	
		SHEET <b>16</b>		DATE <b>28/12/2020</b>	

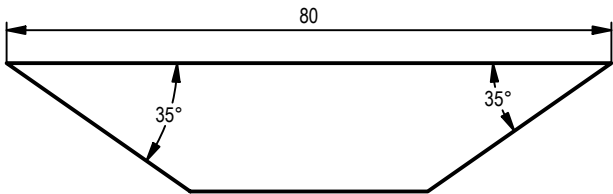
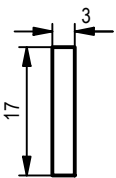
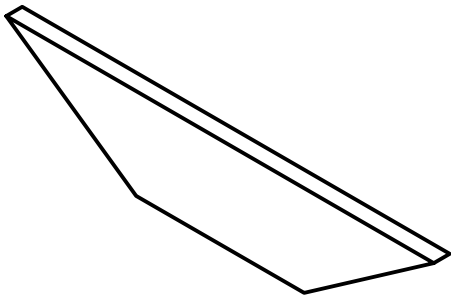





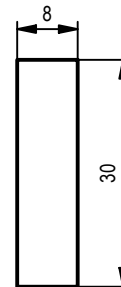
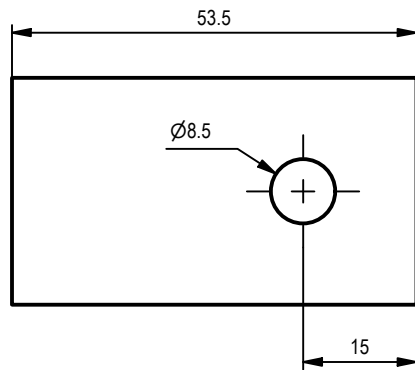
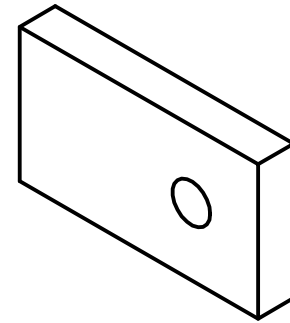
PROJECT LONG ANDRE CARGO BIKE A		CREATED BY A. PARDO		APPROVED BY D. Jaeger	
PART NAME wl_lacb_2.3_Handlebar		PART CODE 2.3		DOCUMENT TYPE Production	
 Open Source Ecology e.V. Knobelsdorffstr. 22 14059 Berlin <a href="http://www.ose-germany.de">www.ose-germany.de</a> +49 (0) 30 / 92282426		LICENSE CERN-OHL		FILE NAME wl_lacb_2.3_Handlebar.ipt	
		SCALE 1 : 6		MATERIAL A36	
		VERSION 1.0		QUANTITY 1	
		SHEET 17		DATE 29/12/2020	




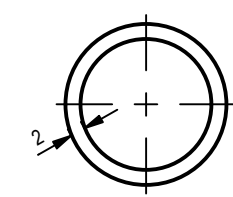
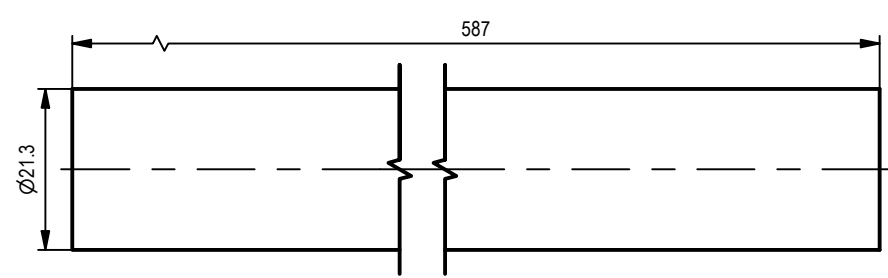
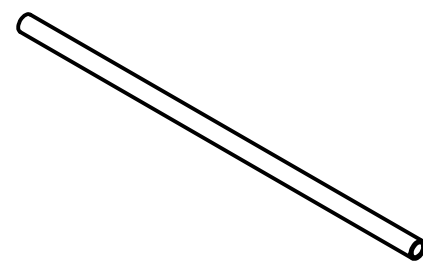
PROJECT LONG ANDRE CARGO BIKE A		CREATED BY A. PARDO		APPROVED BY D. Jaeger	
PART NAME wl_lacb_2.4_Sintered-bearing-housing		PART CODE 2.4		DOCUMENT TYPE Production	
 <p>Open Source Ecology e.V. Knobelsdorffstr. 22 14059 Berlin www.ose-germany.de +49 (0) 30 / 92282426</p>		LICENSE CERN-OHL		FILE NAME wl_lacb_2.4_Sintered-bearing-housing.igt	
		SCALE 1 : 1		MATERIAL A36	
		VERSION 1.0		QUANTITY 1	
		SHEET 18		DATE 28/12/2020	




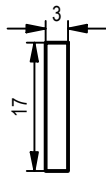
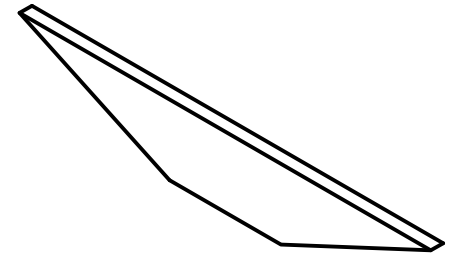
PROJECT LONG ANDRE CARGO BIKE A		CREATED BY A. PARDO		APPROVED BY D. Jaeger	
PART NAME wl_lacb_2.5_Angle-handlebar		PART CODE 2.5		DOCUMENT TYPE Production	
 <p>Open Source Ecology e.V Knobelsdorffstr. 22 14059 Berlin www.ose-germany.de +49 (0) 30 / 92282426</p>		LICENSE CERN-OHL		FILE NAME wl_lacb_2.5_Angle-handlebar.ipt	
		SCALE 1 : 1		MATERIAL A36	
		VERSION 1.0		QUANTITY 1	
		SHEET 19		DATE 29/12/2020	




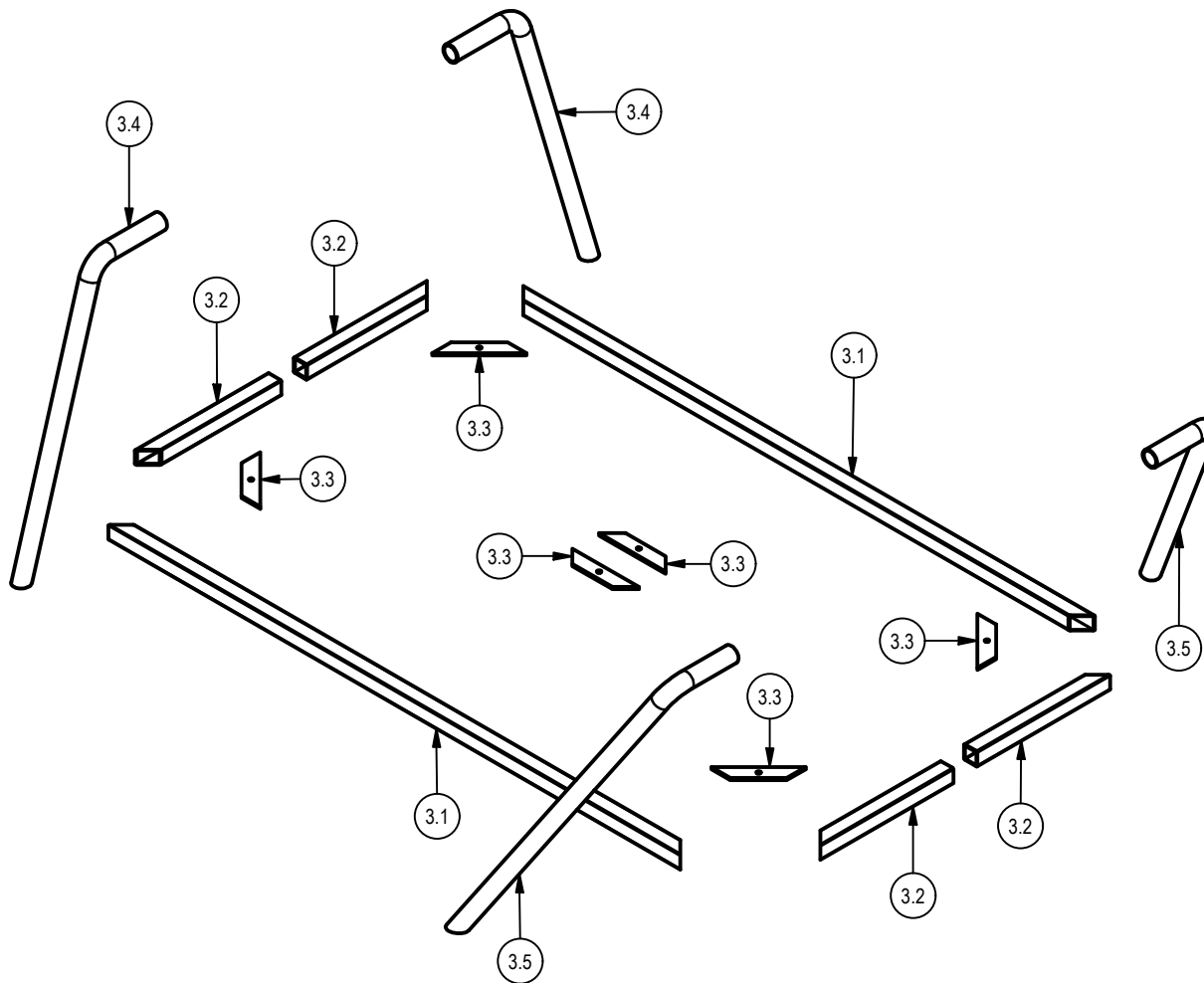
PROJECT <b>LONG ANDRE CARGO BIKE A</b>		CREATED BY <b>A. PARDO</b>		APPROVED BY <b>D. Jaeger</b>	
PART NAME <b>wl_lacb_2.6_Short-steering-lever</b>		PART CODE <b>2.6</b>		DOCUMENT TYPE <b>Production</b>	
 <p>Open Source Ecology e.V. Knobelsdorffstr. 22 14059 Berlin www.ose-germany.de +49 (0) 30 / 92282426</p>		LICENSE <b>CERN-OHL</b>		FILE NAME <b>wl_lacb_2.6_Short-steering-lever.ipt</b>	
		SCALE <b>1 : 1</b>		MATERIAL <b>A36</b>	
		VERSION <b>1.0</b>		QUANTITY <b>1</b>	
		SHEET <b>20</b>		DATE <b>28/12/2020</b>	




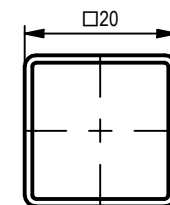
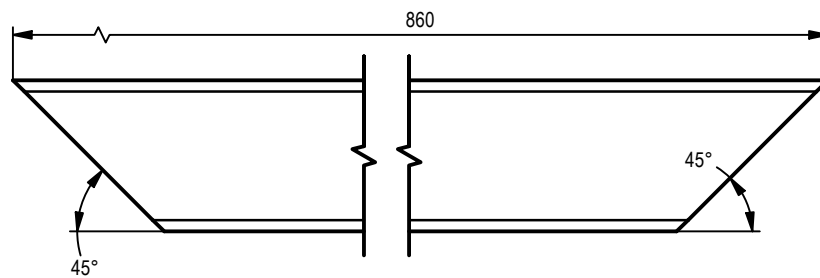
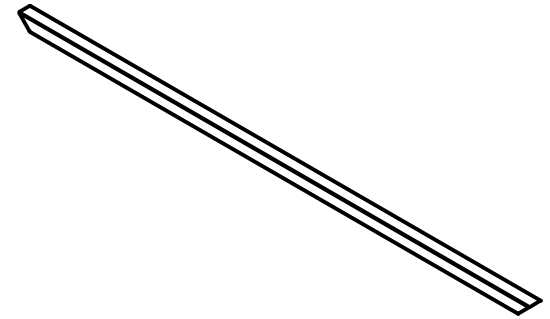
PROJECT LONG ANDRE CARGO BIKE A		CREATED BY A. PARDO		APPROVED BY D. Jaeger	
PART NAME wl_lacb_2.7_Shaft-extension		PART CODE 2.7		DOCUMENT TYPE Production	
 <p>Open Source Ecology e.V. Knobelsdorffstr. 22 14059 Berlin www.ose-germany.de +49 (0) 30 / 92282426</p>		LICENSE CERN-OHL		FILE NAME wl_lacb_2.7_Shaft-extension.ipt	
		SCALE 1 : 1		MATERIAL A36	
		VERSION 1.0		QUANTITY 1	
		SHEET 21		DATE 28/12/2020	




PROJECT LONG ANDRE CARGO BIKE A		CREATED BY A. PARDO		APPROVED BY D. Jaeger	
PART NAME wl_lacb_2.8_Angle-handlebar		PART CODE 2.8		DOCUMENT TYPE Production	
 Open Source Ecology e.V. Knobelsdorffstr. 22 14059 Berlin <a href="http://www.ose-germany.de">www.ose-germany.de</a> +49 (0) 30 / 92282426		LICENSE CERN-OHL		FILE NAME wl_lacb_2.8_Angle-handlebar.ipt	
		SCALE 1 : 1		MATERIAL A36	
		VERSION 1.0		QUANTITY 1	
		SHEET 22		DATE 29/12/2020	

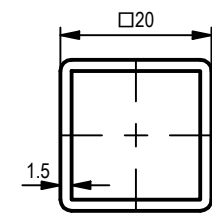
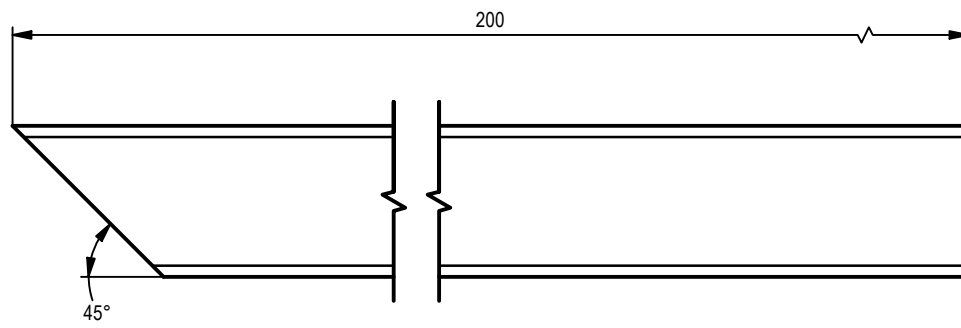
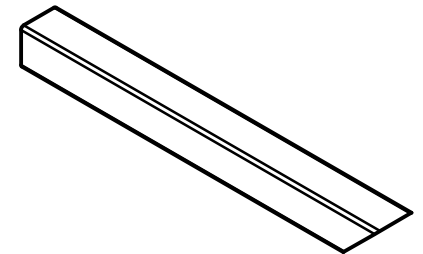



PROJECT LONG ANDRE CARGO BIKE A		CREATED BY A. PARDO		APPROVED BY D. Jaeger	
PART NAME Assembly3-Long André Cargo Bike A		PART CODE 3		DOCUMENT TYPE	
 <p>Open Source Ecology e.V. Knobelsdorffstr. 22 14059 Berlin www.ose-germany.de +49 (0) 30 / 92282426</p>		LICENSE CERN-OHL		FILE NAME Assembly3-Long André Cargo Bike A.iam	
		SCALE 1 / 8		VERSION 1.0	
		SHEET 23		QUANTITY	
		DATE 30/12/2020			

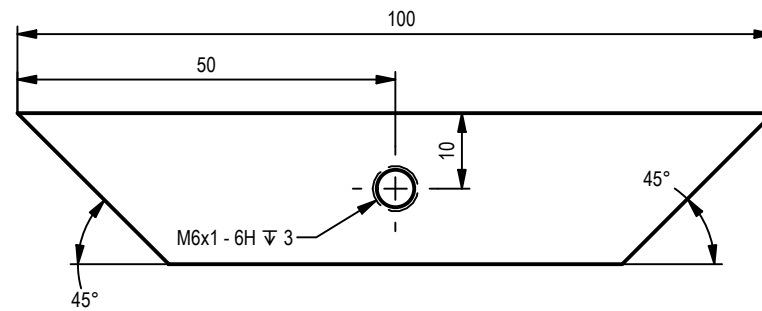
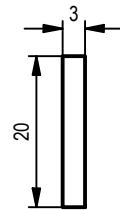
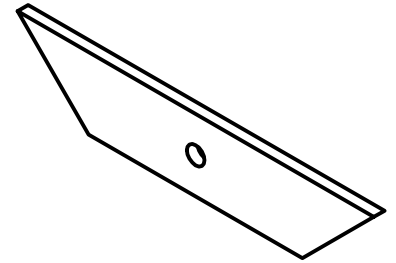



PROJECT <b>LONG ANDRE CARGO BIKE A</b>		CREATED BY <b>A. PARDO</b>		APPROVED BY <b>D. Jaeger</b>	
PART NAME <b>wl_lacb_3.1_Frame-loading-area</b>		PART CODE <b>3.1</b>		DOCUMENT TYPE <b>Production</b>	
 <p>Open Source Ecology e.V. Knobelsdorffstr. 22 14059 Berlin www.ose-germany.de +49 (0) 30 / 92282426</p>		LICENSE <b>CERN-OHL</b>		FILE NAME <b>wl_lacb_3.1_Frame-loading-area.ipt</b>	
		SCALE <b>1 : 1</b>		MATERIAL <b>A36</b>	
		VERSION <b>1.0</b>		QUANTITY <b>1</b>	
		SHEET <b>24</b>		DATE <b>30/12/2020</b>	

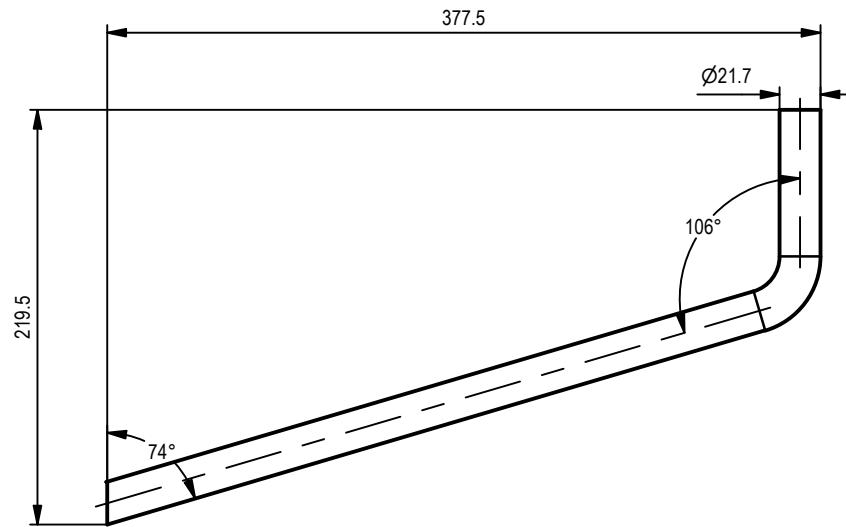
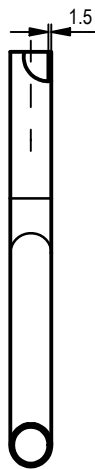
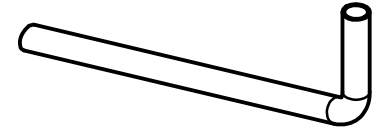





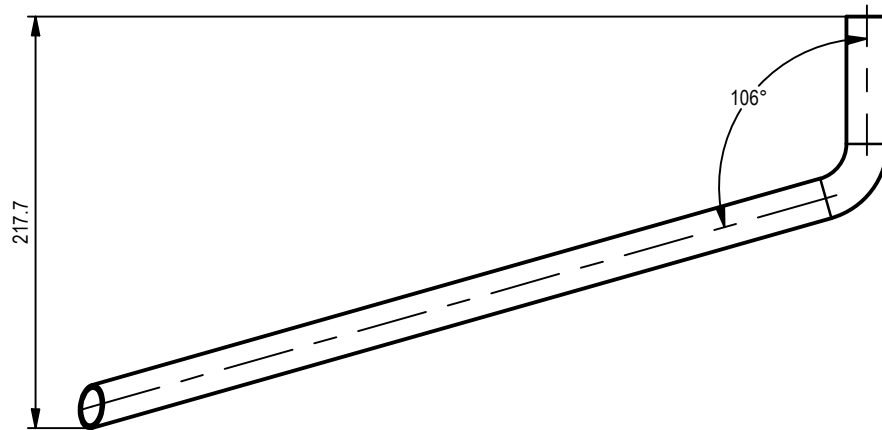
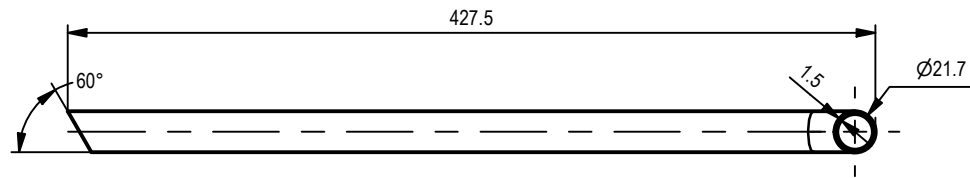
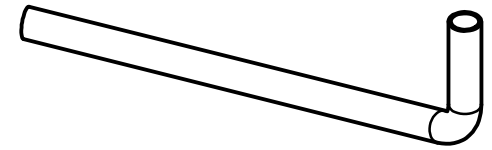
PROJECT LONG ANDRE CARGO BIKE A		CREATED BY A. PARDO		APPROVED BY D. Jaeger	
PART NAME wl_lacb_3.2_Frame-loading-area		PART CODE 3.2		DOCUMENT TYPE Production	
 Open Source Ecology e.V. Knobelsdorffstr. 22 14059 Berlin <a href="http://www.ose-germany.de">www.ose-germany.de</a> +49 (0) 30 / 92282426		LICENSE CERN-OHL		FILE NAME wl_lacb_3.2_Frame-loading-area.ipt	
		SCALE 1:1		MATERIAL A36	
		VERSION 1.0		QUANTITY 1	
		SHEET 25		DATE 30/12/2020	




PROJECT LONG ANDRE CARGO BIKE A		CREATED BY A. PARDO		APPROVED BY D. Jaeger	
PART NAME wl_lacb_3.3_Mounting-bracket		PART CODE 3.3		DOCUMENT TYPE Production	
 Open Source Ecology e.V. Knobelsdorffstr. 22 14059 Berlin <a href="http://www.ose-germany.de">www.ose-germany.de</a> +49 (0) 30 / 92282426		LICENSE CERN-OHL		FILE NAME wl_lacb_3.3_Mounting-bracket.ipt	
		SCALE 1 : 1		MATERIAL A36	
		VERSION 1.0		QUANTITY 1	
		SHEET 26		DATE 30/12/2020	



PROJECT <b>LONG ANDRE CARGO BIKE A</b>		CREATED BY <b>A. PARDO</b>		APPROVED BY <b>D. Jaeger</b>	
PART NAME <b>wl_lacb_3.4 Bracket-loading-area</b>		PART CODE <b>3.4</b>		DOCUMENT TYPE <b>Production</b>	
 Open Source Ecology e.V. Knobelsdorffstr. 22 14059 Berlin <a href="http://www.ose-germany.de">www.ose-germany.de</a> +49 (0) 30 / 92282426		LICENSE <b>CERN-OHL</b>		FILE NAME <b>wl_lacb_3.4_Bracket-loading-area.ipt</b>	
		SCALE <b>1 / 4</b>		MATERIAL <b>A36</b>	
		VERSION <b>1.0</b>		QUANTITY <b>1</b>	
		SHEET <b>27</b>		DATE <b>30/12/2020</b>	



PROJECT LONG ANDRE CARGO BIKE A		CREATED BY A. PARDO		APPROVED BY D. Jaeger	
PART NAME wl_lacb_3.5_Bracket-loading-area		PART CODE 3.5		DOCUMENT TYPE Production	
 Open Source Ecology e.V. Knobelsdorffstr. 22 14059 Berlin www.ose-germany.de +49 (0) 30 / 92282426		LICENSE CERN-OHL		FILE NAME wl_lacb_3.5_Bracket-loading-area.ipt	
		SCALE 1 / 4		MATERIAL A36	
		VERSION 1.0		QUANTITY 1	
		SHEET 28		DATE 30/12/2020	