


<b>Proyect</b> Small water turbine		Created by D. Mosquera		Approved by D. Jeager	
<b>Part Name</b> small-water-turbiner		Part Code A1		Document Type ASSEMBLY	
Redesigned by  OPEN SOURCE ECOLOGY GERMANY		Original drawing from <b>Practical ACTION</b>		License CERN-OHL	
				File Name oseg_swt_A1_small-water-turbiner	
				Version 1.0	
				Quantity 1	
				Scale 1:8	
				Sheet 1	
				Date 18.01.21	

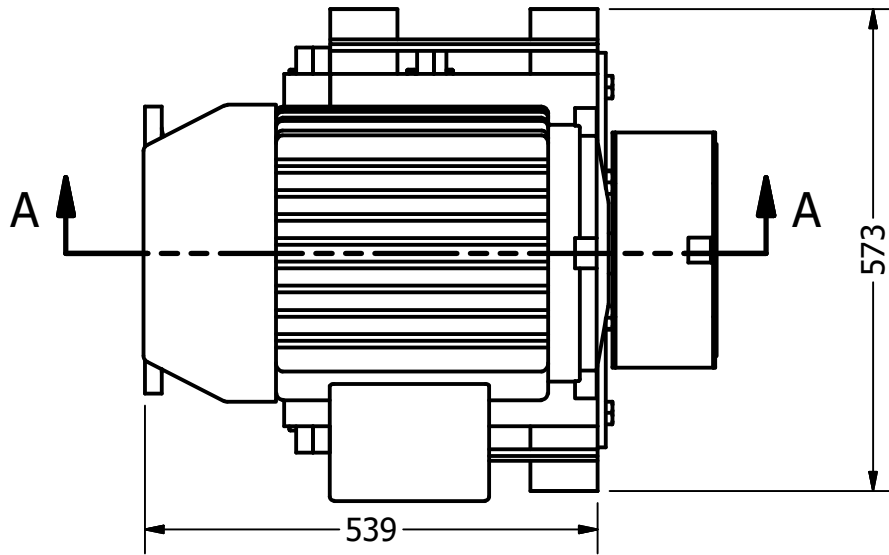
2



1

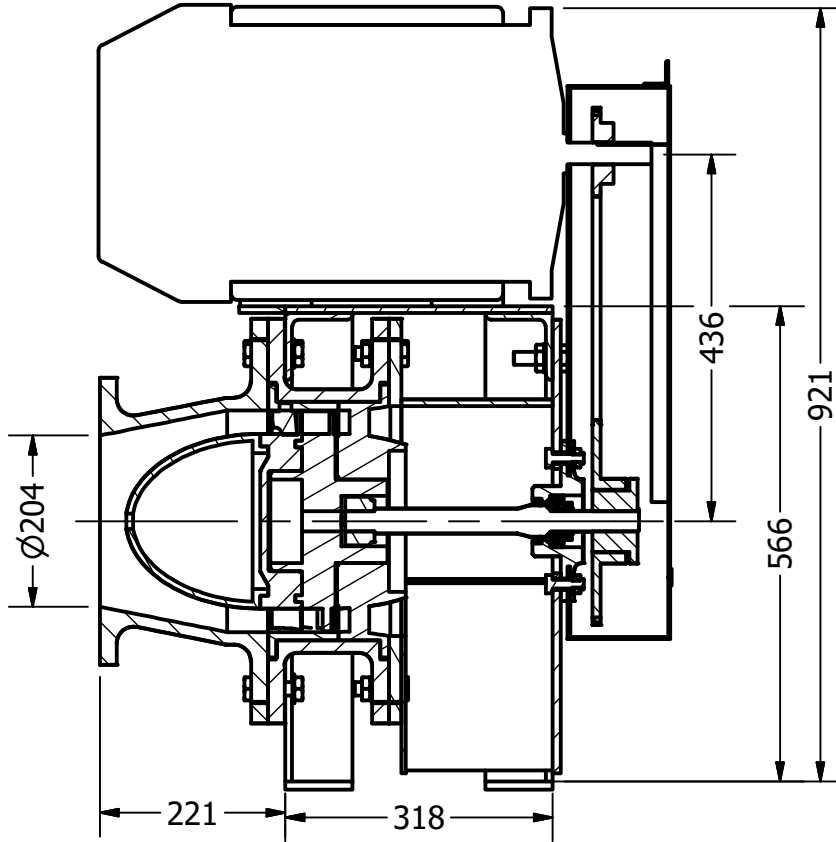
D

D



C

C




B

B

### SECTION A-A

A

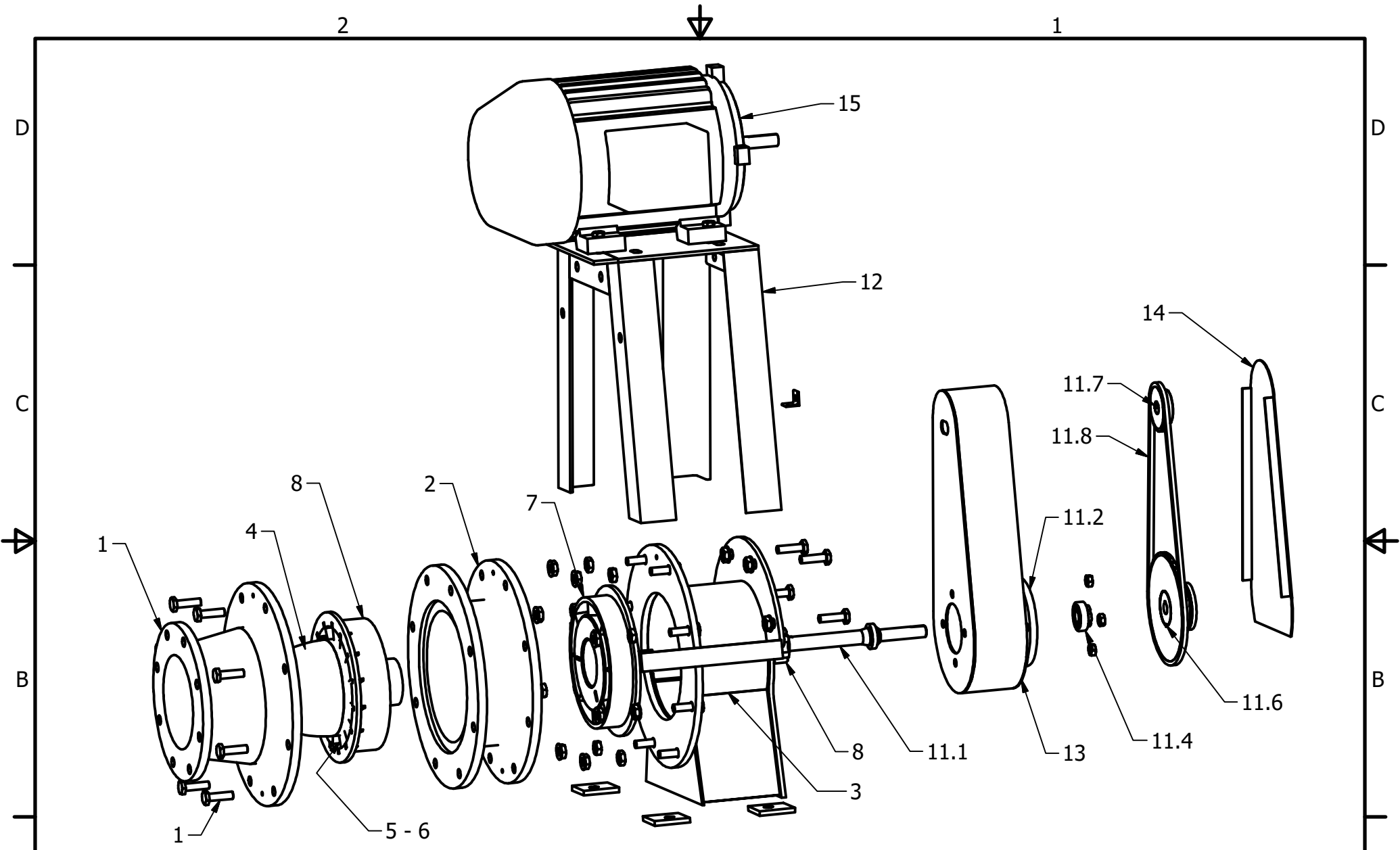
A


<b>Proyect</b> Small water turbine		Created by D. Mosquera		Approved by D. Jeager	
<b>Part Name</b> small-water-turbiner		Part Code A1	Document Type ASSEMBLY		Material
Redesigned by  OPEN SOURCE ECOLOGY GERMANY	Original drawing from <b>Practical ACTION</b>	License CERN-OHL	File Name oseg_swt_A1_small-water-turbiner		Version 1.0
			Scale 1:8	Sheet 2	Quantity 1
				Date 18.01.21	

2



1




<b>Project</b> Small water turbine		<b>Created by</b> D. Mosquera		<b>Approved by</b> D. Jeager	
<b>Part Name</b> small-water-turbiner		<b>Part Code</b> A2		<b>Document Type</b> ASSEMBLY	
<b>Redesigned by</b>  OPEN SOURCE ECOLOGY GERMANY		<b>Original drawing from</b> <b>Practical ACTION</b>		<b>License</b> CERN-OHL	
				<b>File Name</b> oseg_swt_A2_small-water-turbiner	
				<b>Version</b> 1.0	
				<b>Quantity</b> 1	
				<b>Scale</b> 1:10	
				<b>Sheet</b> 3	
				<b>Date</b> 18.01.21	



TABLE

Pos.	Pos. old	Qty.	Part name	File name (new)	Part type	Specifications	Sht.
A1			small water turbine	oseg_swt_A1_small-water-turbiner.iam	production		1
A2			Cap machine presentation	oseg_swt_A2_small-water-turbiner.ipn	production		2
B			Cap machine parts-list	oseg_swt_B_parts-list.xls			3
1	AF311	1	front adaptor	oseg_swt_front-adaptor.ipt	production		4
2	AF312	1	left side frame	oseg_swt_left-side-frame.ipt	production		5
3	AF313	1	drain chute	oseg_swt_drain-chute.iam	production		6
3.1	AF313A		back plate	oseg_swt_back-plate.ipt	production		7
3.2	AF313B		front flange	oseg_swt_front-flange.ipt	production		8
3.3	AF313C		curved plate	oseg_swt_curved-plate.ipt	production		9
3.4	AF313D	2	side plate	oseg_swt_side-plate.ipt	production		10
3.5	AF313E		front plate	oseg_swt_front-plate.ipt	production		11
4	AF314(1)		nose	oseg_swt_nose.ipt	production	glass-fiber reinforced. Polyester termoset. Polyester resins 30% glass by wt.	
5	AF315A		stator blading	oseg_swt_stator-blading.ipt	production		
6	AF316A		rotor blading	oseg_swt_rotor-blading.iam	production		
6.1			rotor blading	oseg_swt_rotor-blading.ipt	production		
6.2			rotor washer	oseg_swt_rotor-washer.ipt	production		
7	AF318A		diffuser blanding	oseg_swt_diffuser-blanding.iam	production		
7.1			diffuser blanding	oseg_swt_diffuser-blanding.ipt	production		
7.2			diffuser washer	oseg_swt_diffuser-washer.ipt	production		
8	AF320A		bush	oseg_swt_bush.ipt	production		
9	AF321A		slotted disk	oseg_swt_slotted-disk.ipt	production		
10	AF321B		key	oseg_swt_key.ipt	standart	key 6 x 6 x 36.0	
11			Transmission (hub assembly)	oseg_swt_hub-assembly.iam	production		
11.1	AF322		shaft	oseg_swt_shaft.iam	production		
11.2	AF323A		hub housing	oseg_swt_hub-housing.ipt	production		
11.3	AF323B		front cap	oseg_swt_front-cap.ipt	standart		
11.4	AF323C		ball bearing	oseg_swt_ball-bearing.ipt	standart	bearing 206-SX adater and nut G-Y or equivalent estándar part	

<b>Project</b> Small water turbine			Created by D. Mosquera		Approved by D. Jeager			
<b>Part Name</b> small-water-turbiner			Part Code B		Document Type part-list		Material	
Redesigned by  OPEN SOURCE ECOLOGY GERMANY		Original drawing from <b>Practical ACTION</b>		License CERN-OHL		File Name oseg_swt_A2_small-water-turbiner	Version 1.0	Quantity 1
				Scale		Sheet 4	Date 18.01.21	



TABLE

Pos.	Pos. old	Qty.	Part name	File name (new)	Part type	Specifications	Sht.
11.5	AF323D		seal	oseg_swt_seal.ipt	standart		
11.6	AF324		big sprocket	oseg_swt_big-sprocket.ipt	standart	brownign 40P60 - 1/2" pich - 60 teeth - Dia.: 9.55"	
11.7	AF325		small sprocket	oseg_swt_samll-sprocket.ipt	standart	brownign N° 4024 - 1/2" pich - 24 teeth - Dia.: 3.83"	
11.8	AF326		chain	oseg_swt_chain.ipt	standart	brownign N° 40 - 1/2" pich N° 40	
	AF323		bolt 3/16" x 32 x 5/16"		standart		
12	AF327		frame	oseg_swt_frame.iam	production		
12.1	AF327A		side angles	oseg_swt_side-angles.ipt	production		
12.2	AF327B		top angle	oseg_swt_top-angle.ipt	production		
12.3	AF3227C		top plate	oseg_swt_top-plate.ipt	production		
12.4	AF3227D		bar	oseg_swt_bar.ipt	production		
12.5	AF3227E		foundation plate	oseg_swt_foundation-plate.ipt	production		
13	AF328		oil bath cover	oseg_swt_oil-bath.iam	production		
13.1			plate front cover	oseg_swt_plate-front-cover.ipt	production		
13.2			band side cover	oseg_swt_band-side-cover.ipt	production		
13.3			plate down cover	oseg_swt_plate-down-cover.ipt	production		
13.4			brake angle cover	oseg_swt_brake-angle-cover.ipt	production		
13.5			brake bar cover	oseg_swt_brake-bar-cover.ipt	production		
14	AF329		back oil bath cover	oseg_swt_back-oil-bath-cover.i am	production		
14.1			plate back cover	oseg_swt_bar-for-plate-front.ipt	production		
14.2			bar for plate front	oseg_swt_plate-back-cover.ipt	production		

**Proyect**

Small water turbine

**Created by**

D. Mosquera

**Approved by**

D. Jeager

**Part Name**

small-water-turbiner

**Part Code**

B

**Document Type**

part-list

**Material****Redesigned by**OPEN SOURCE ECOLOGY  
GERMANY**Original drawing from****Practical  
ACTION****License**

CERN-OHL

**File Name**

oseg\_swt\_A2\_small-water-turbiner

**Version**

1.0

**Quantity**

1

**Scale****Sheet**

5

**Date**

18.01.21



TABLE

Pos.	Pos. old	Qty.	Part name	File name (new)	Part type	Specifications	Sht.
D 15	AF330		Generator	oseg_swt_generator.ipt	standart	5 KW; 115-230 V;21,5 A; 60Hz	
16	AF331A	20	bolt 5/8"x12 - 2 1/2"		standart		
17	AF331B	20	nut 5/8"x12		standart		
18	AF331C	20	plain washer 5/8"		standart		
19	AF332A	4	bolt 1/2"x12 - 1 1/2"		standart		
20	AF332B	4	nut 1/2"x12		standart		
21	AF332C	4	plain washer 1/2"		standart		
22	AF333A	4	bolt 9/16"x12 - 2"		standart		
23	AF333B	4	nut 9/16"x12		standart		
24	AF333C	4	plain washer 9/16"		standart		
25	AF333D	4	lock washer 9/16"		standart		
C 26	AF334A	1	bolt 3/8"x16 - 2"		standart		
27	AF334B	2	wing nut 3/8"x16		standart		
28	AF334C	1	plain washer 3/8"		standart		
29	AF334	4	ALIGNMENT-PIN		standart		

**Proyect**

Small water turbine

**Created by**

D. Mosquera

**Approved by**

D. Jeager

**Part Name**

small-water-turbiner

**Part Code**

B

**Document Type**

part-list

**Material****Redesigned by**OPEN SOURCE ECOLOGY  
GERMANY**Original drawing from****Practical  
ACTION****License**

CERN-OHL

**File Name**

oseg\_swt\_A2\_small-water-turbiner

**Version**

1.0

**Quantity**

1

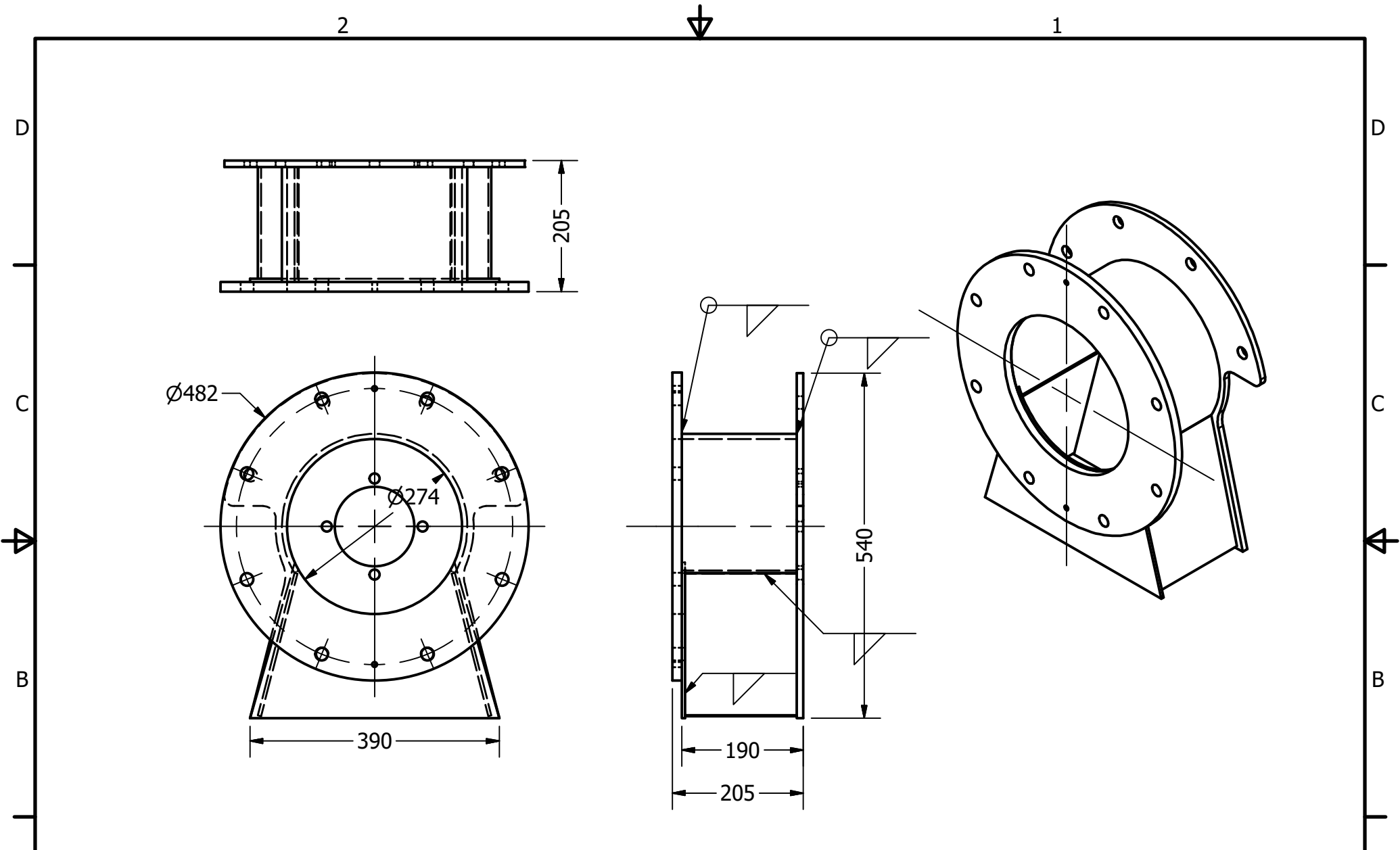
**Scale****Sheet**


6

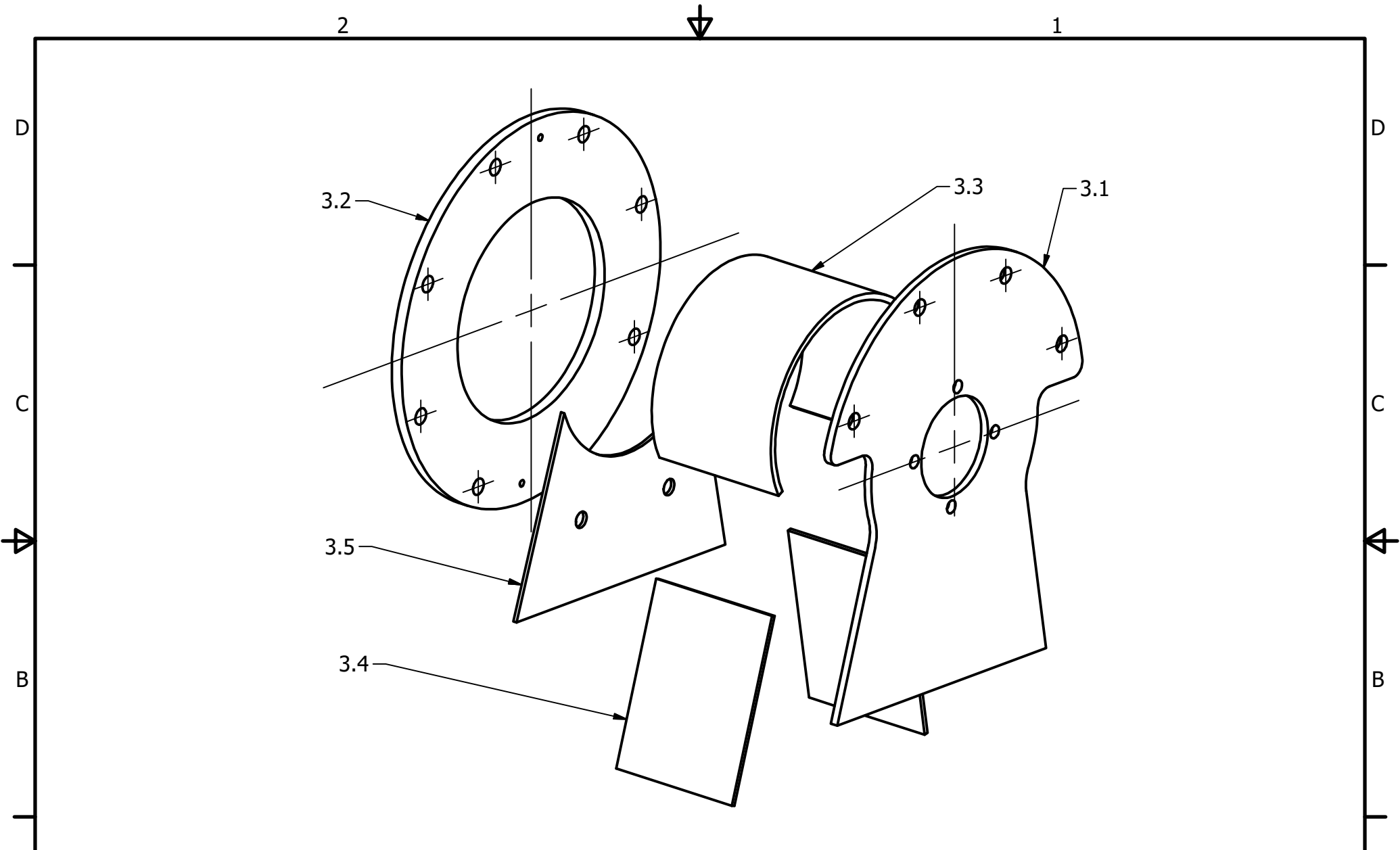
**Date**


18.01.21



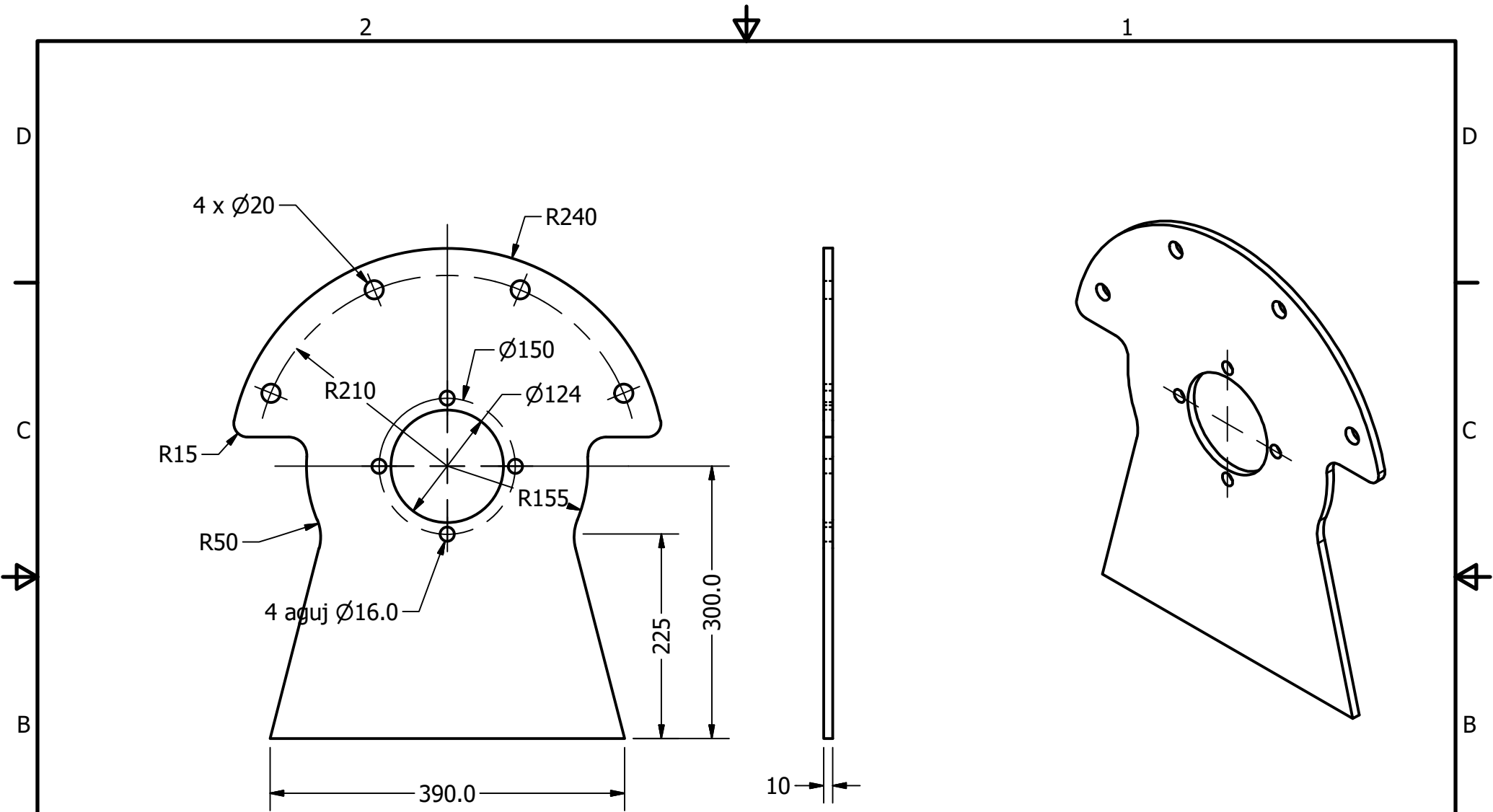



<b>Proyect</b> Small water turbine		Created by <b>D. Mosquera</b>		Approved by <b>D. Jeager</b>	
<b>Part Name</b> drain chute		Part Code 3		Document Type assembly	
Redesigned by  OPEN SOURCE ECOLOGY GERMANY		Original drawing from <b>Practical ACTION</b>		License CERN-OHL	
		File Name oseg_swt_drain-chute.iam		Version 1.0	
		Scale 1 / 8		Quantity 1	
				Sheet 7	
				Date 18.01.21	

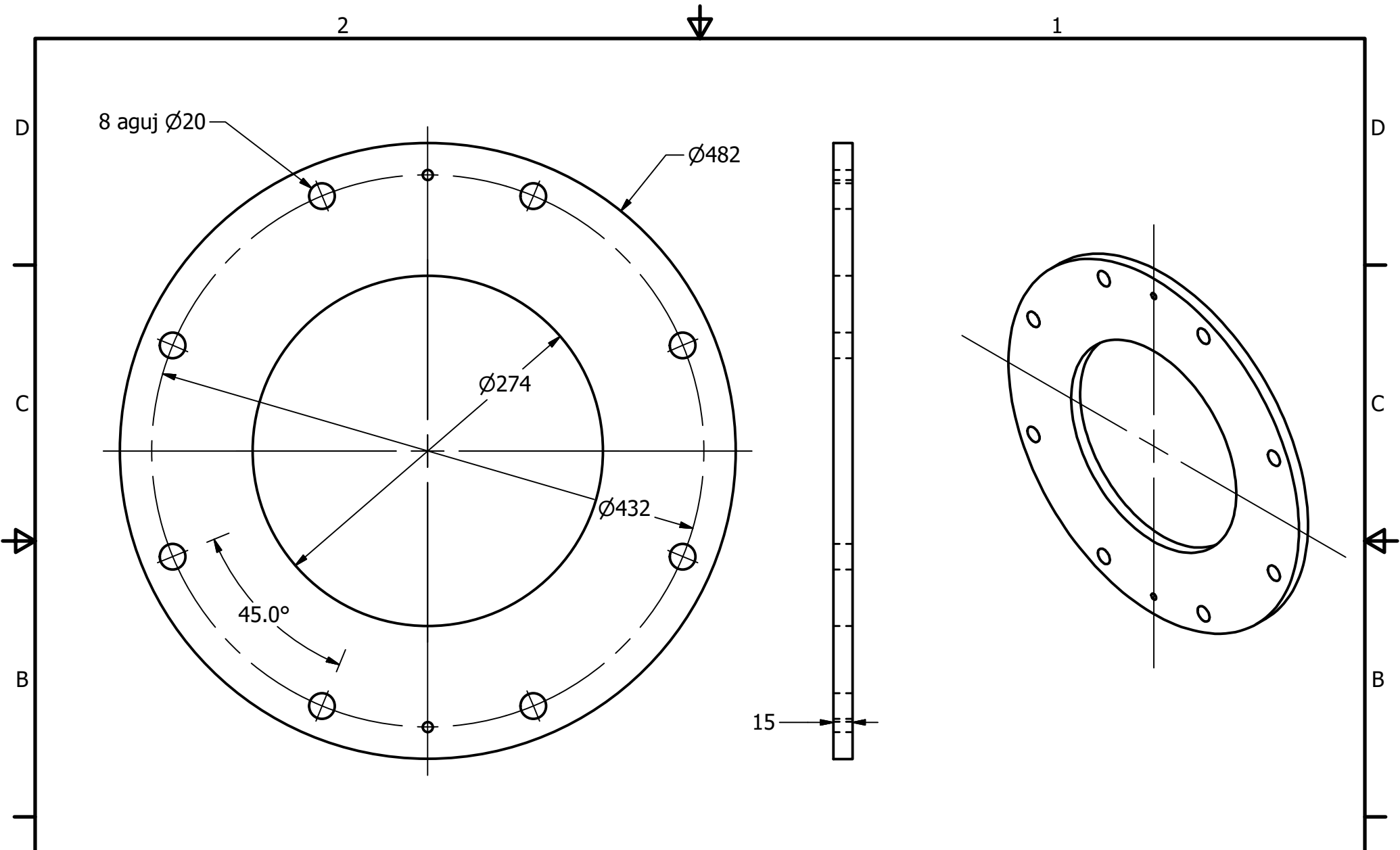



<b>Project</b> Small water turbine		Created by D. Mosquera		Approved by D. Jeager	
<b>Part Name</b> drain chute		Part Code 3	Document Type assembly		Material
Redesigned by  OPEN SOURCE ECOLOGY GERMANY	Original drawing from <b>Practical ACTION</b>	License CERN-OHL	File Name oseg_swt_drain-chute.iam	Version 1.0	Quantity 1
			Scale	Sheet 8	Date 18.01.21





<b>Project</b> Small water turbine		Created by <b>D. Mosquera</b>		Approved by <b>D. Jeager</b>	
<b>Part Name</b> back plate		Part Code 3.1		Document Type part	
Redesigned by  OPEN SOURCE ECOLOGY GERMANY		Original drawing from <b>Practical ACTION</b>		License CERN-OHL	
		File Name oseg_swt_back-plate.ipt		Version 1.0	
		Scale 1 / 6		Quantity 1	
				Sheet 9	
				Date 18.01.21	



<b>Proyect</b> Small water turbine		Created by D. Mosquera		Approved by D. Jeager	
<b>Part Name</b> front flange		Part Code 3.2	Document Type part		Material
Redesigned by  OPEN SOURCE ECOLOGY GERMANY	Original drawing from <b>Practical ACTION</b>	License CERN-OHL	File Name oseg_swt_front-flange.ipt	Version 1.0	Quantity 1
			Scale 1 / 4	Sheet 10	Date 18.01.21

D

D

C

C

B

B

A

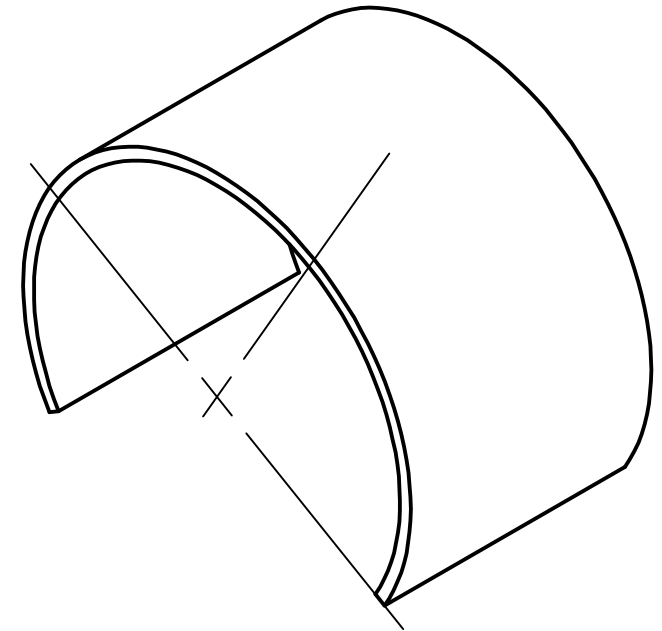
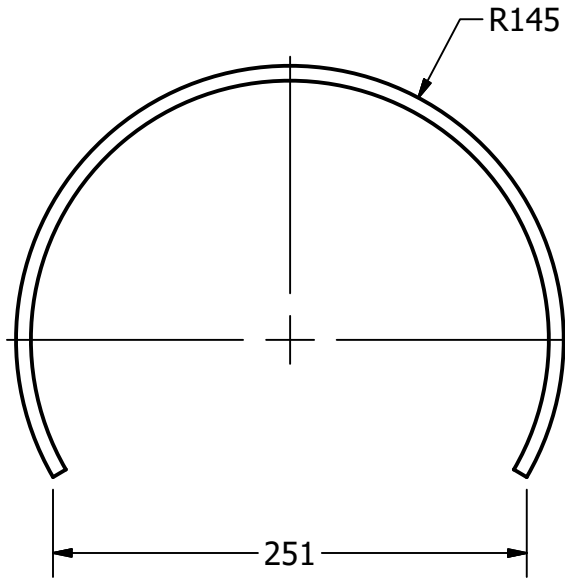
A


2

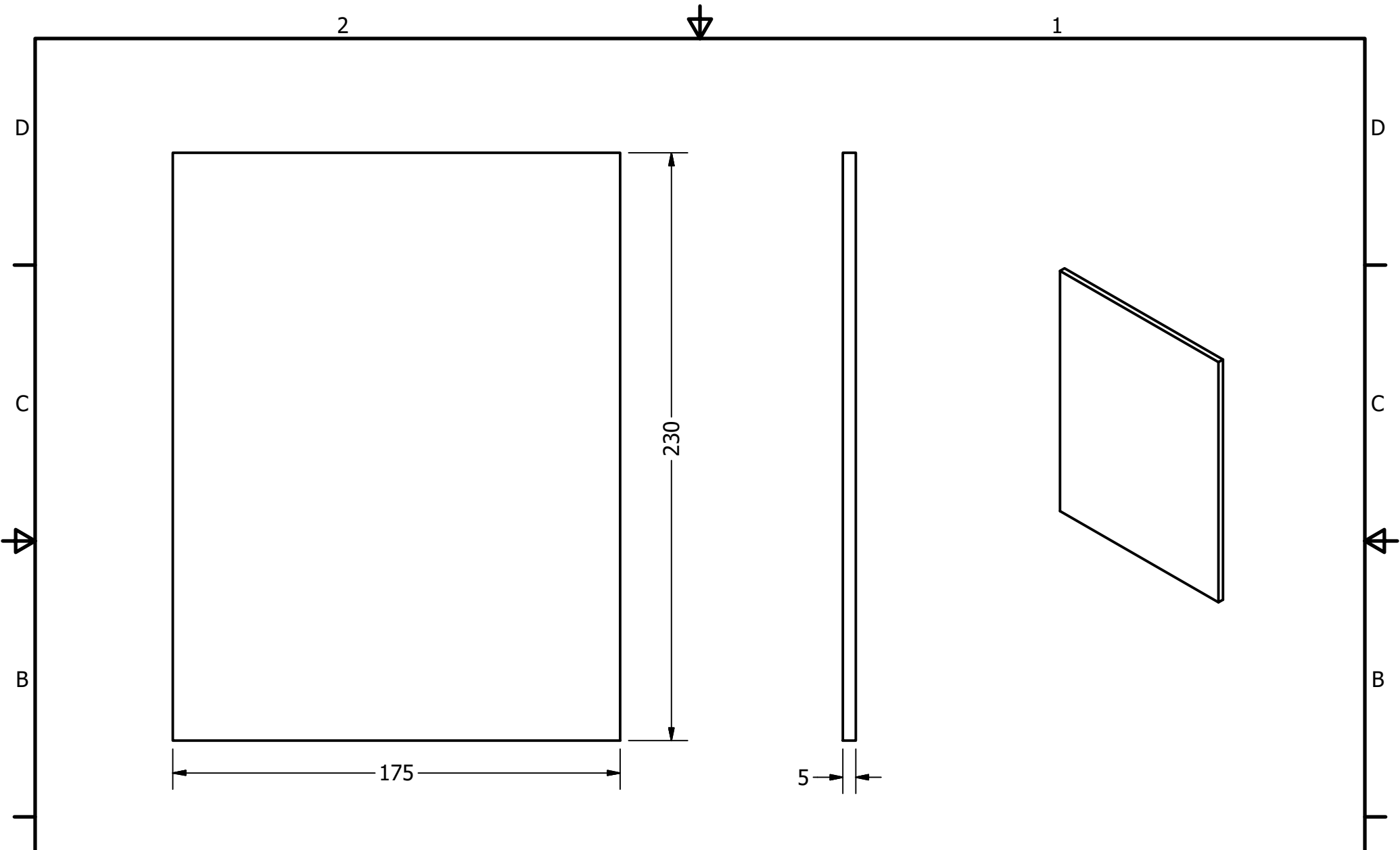
1


2

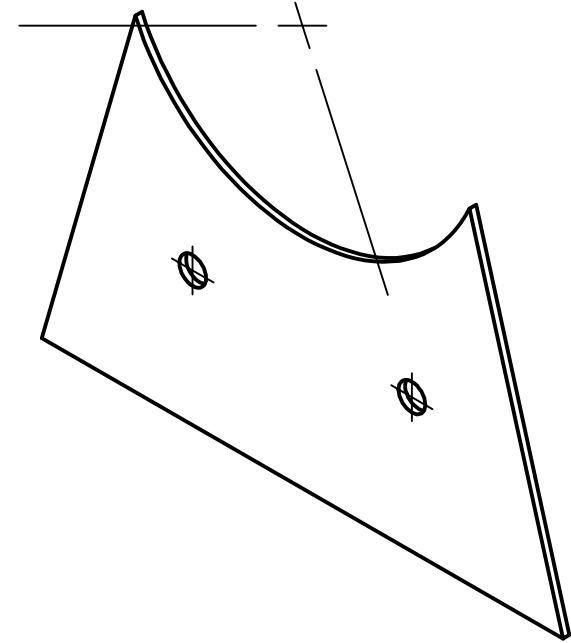
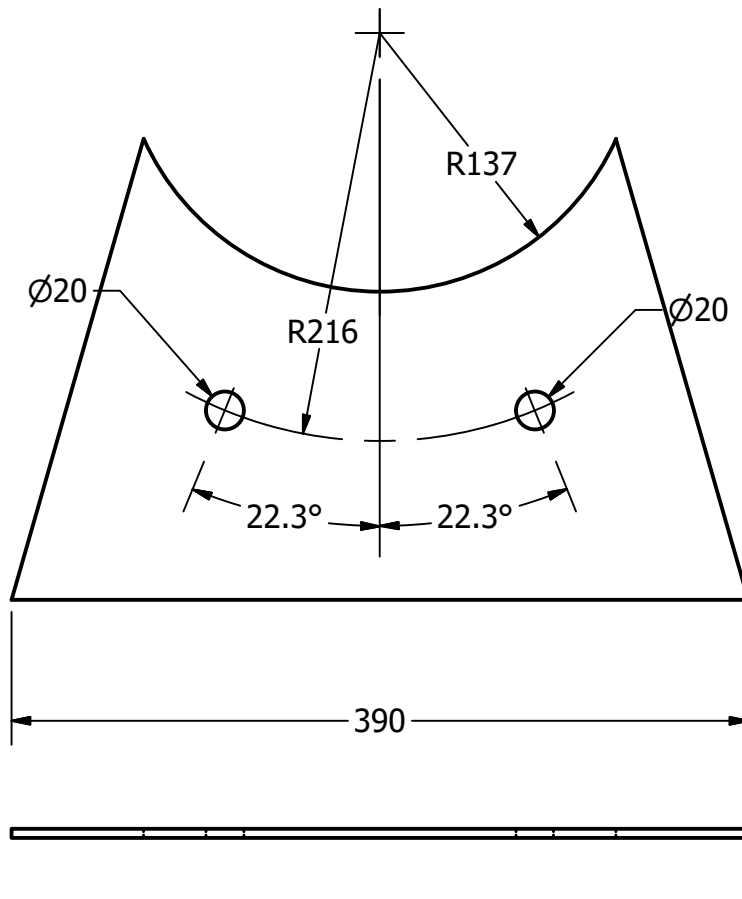
1




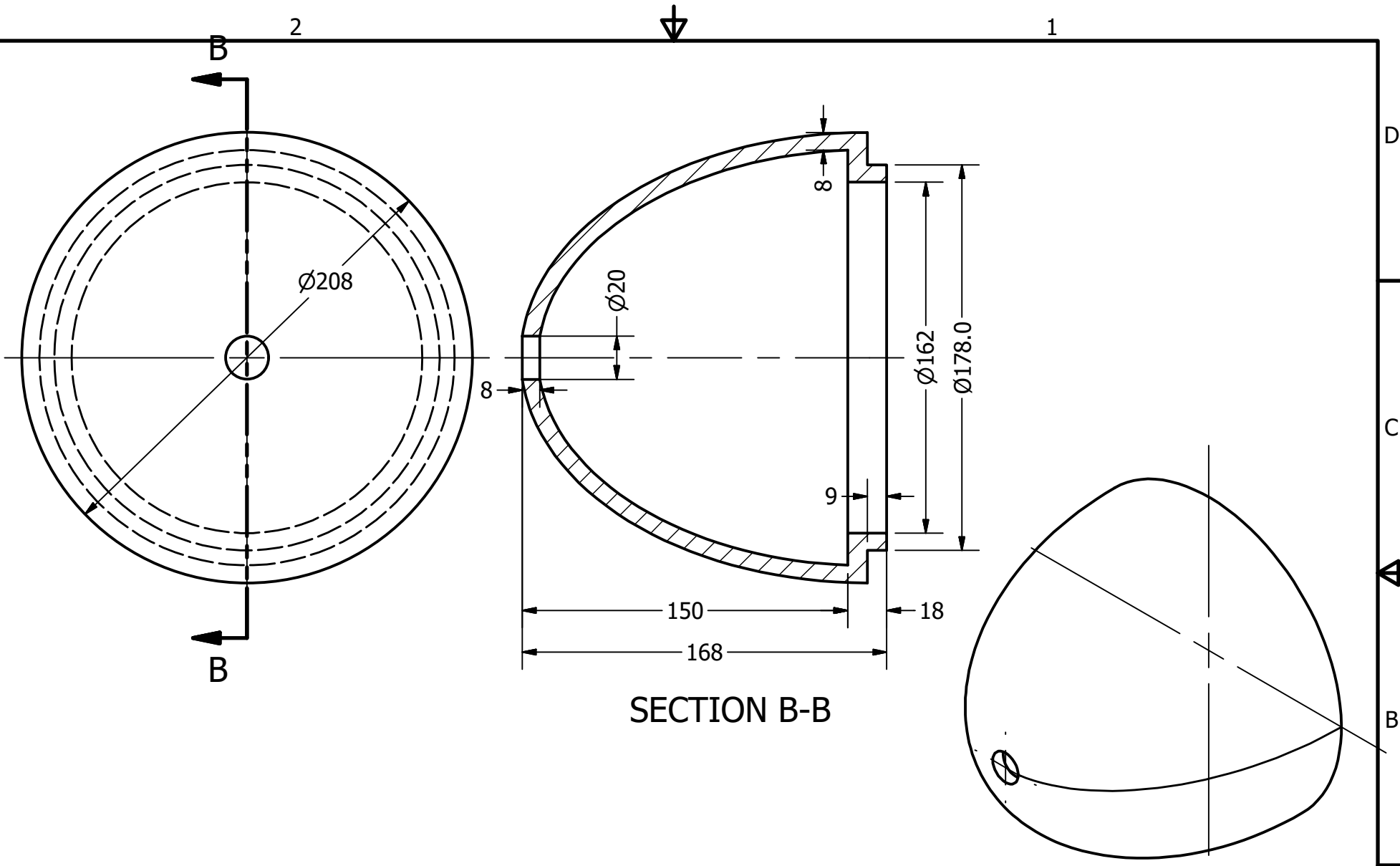
<b>Proyect</b> Small water turbine		Created by D. Mosquera		Approved by D. Jeager		
<b>Part Name</b> front flange		Part Code 3.3		Document Type part		Material
Redesigned by  OPEN SOURCE ECOLOGY GERMANY	Original drawing from <b>Practical ACTION</b>		License CERN-OHL		File Name oseg_swt_curve-plate.ipt	
			Scale 1 / 4		Version 1.0	Quantity 1
					Sheet 11	Date 18.01.21




<b>Proyect</b> Small water turbine		Created by D. Mosquera		Approved by D. Jeager	
<b>Part Name</b> side plate		Part Code 3.4		Document Type part	
Redesigned by  OPEN SOURCE ECOLOGY GERMANY		Original drawing from <b>Practical ACTION</b>		License CERN-OHL	
		File Name oseg_swt_side-plate.ipt		Version 1.0	
		Scale 1 / 2		Quantity 1	
				Date 18.01.21	
				Sheet 12	

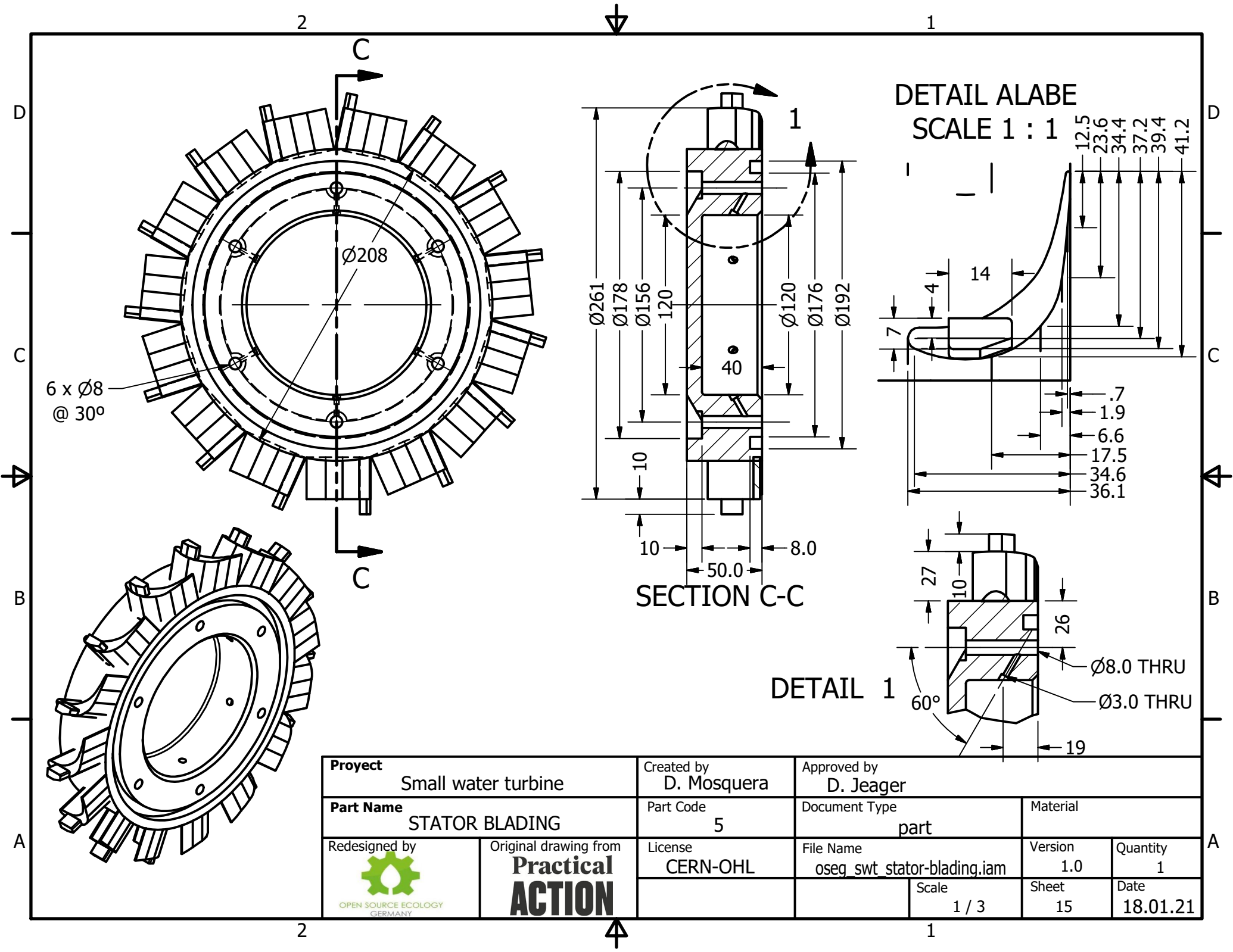



<b>Proyect</b> Small water turbine		Created by D. Mosquera		Approved by D. Jeager	
<b>Part Name</b> front plate		Part Code 3.5		Document Type part	
Redesigned by  OPEN SOURCE ECOLOGY GERMANY		Original drawing from <b>Practical ACTION</b>		License CERN-OHL	
				File Name oseg_swt_front-plate.ipt	
				Version 1.0	
				Quantity 1	
				Scale 1 / 4	
				Sheet 13	
				Date 18.01.21	

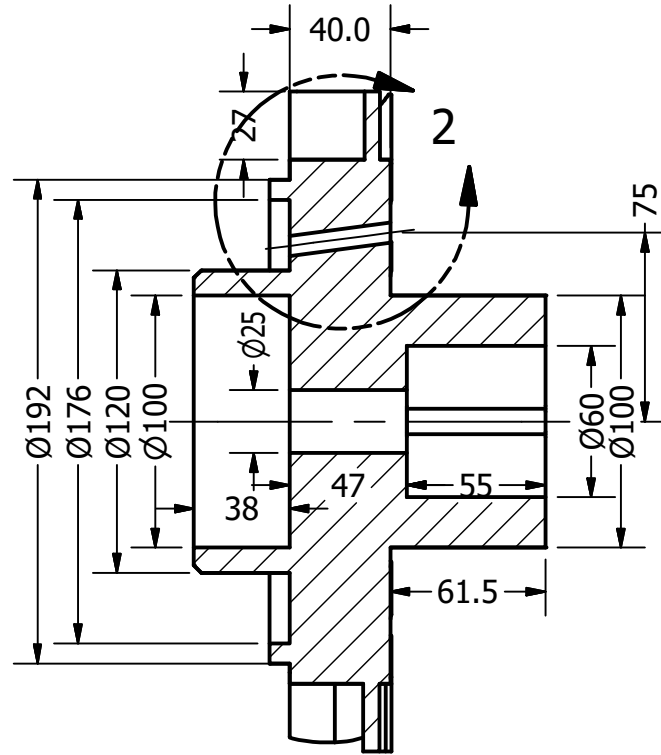
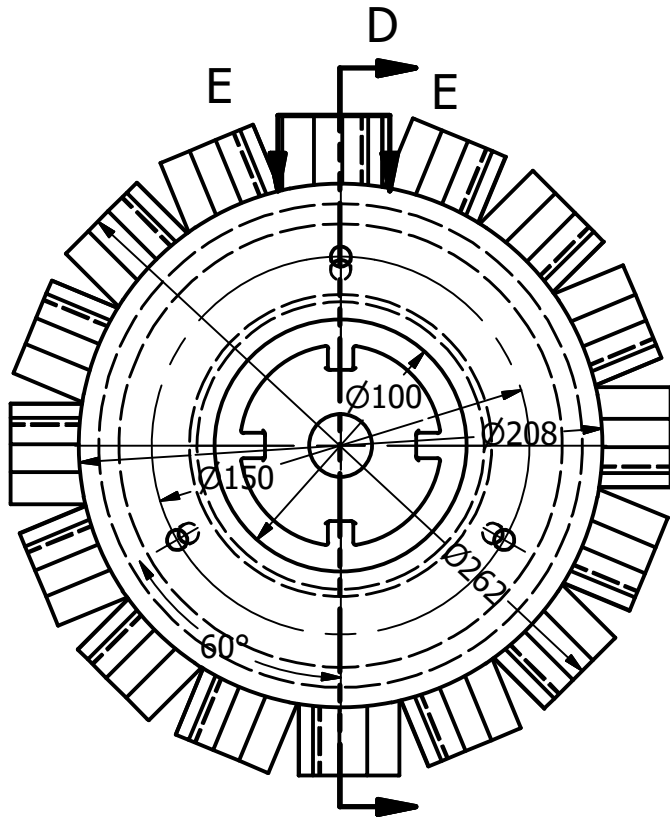


SECTION B-B

<b>Project</b> Small water turbine		Created by D. Mosquera		Approved by D. Jeager	
<b>Part Name</b> NOSE		Part Code 4		Document Type part	
Redesigned by  OPEN SOURCE ECOLOGY GERMANY		Original drawing from <b>Practical ACTION</b>		License CERN-OHL	
				File Name oseg_swt_nose.ipt	
				Version 1.0	
				Quantity 1	
				Scale 1 / 2.5	
				Sheet 14	
				Date 18.01.21	

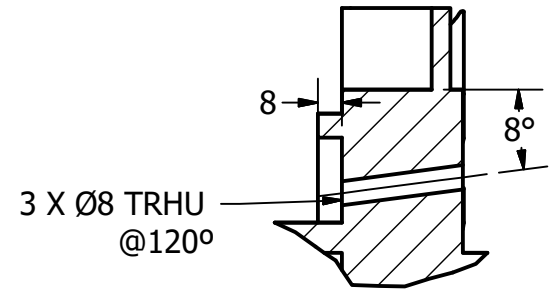
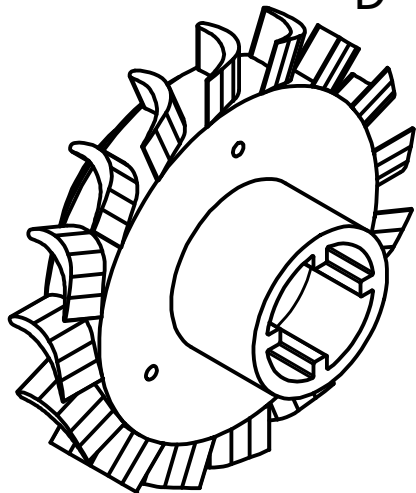
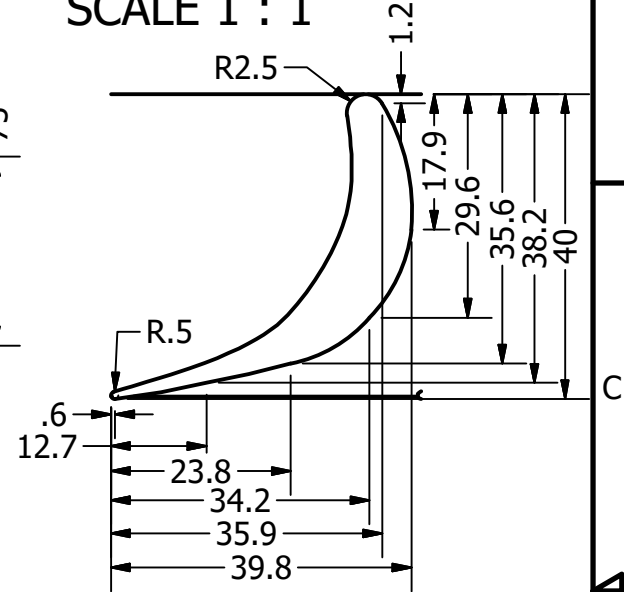


<b>Proyect</b> Small water turbine		Created by <b>D. Mosquera</b>		Approved by <b>D. Jeager</b>	
<b>Part Name</b> STATOR BLADING		Part Code 5		Document Type part	
Redesigned by  OPEN SOURCE ECOLOGY GERMANY		Original drawing from <b>Practical ACTION</b>		License CERN-OHL	
		File Name oseg_swt_stator-blading.iam		Version 1.0	
		Scale 1 / 3		Quantity 1	
		Sheet 15		Date 18.01.21	




SECTION D-D

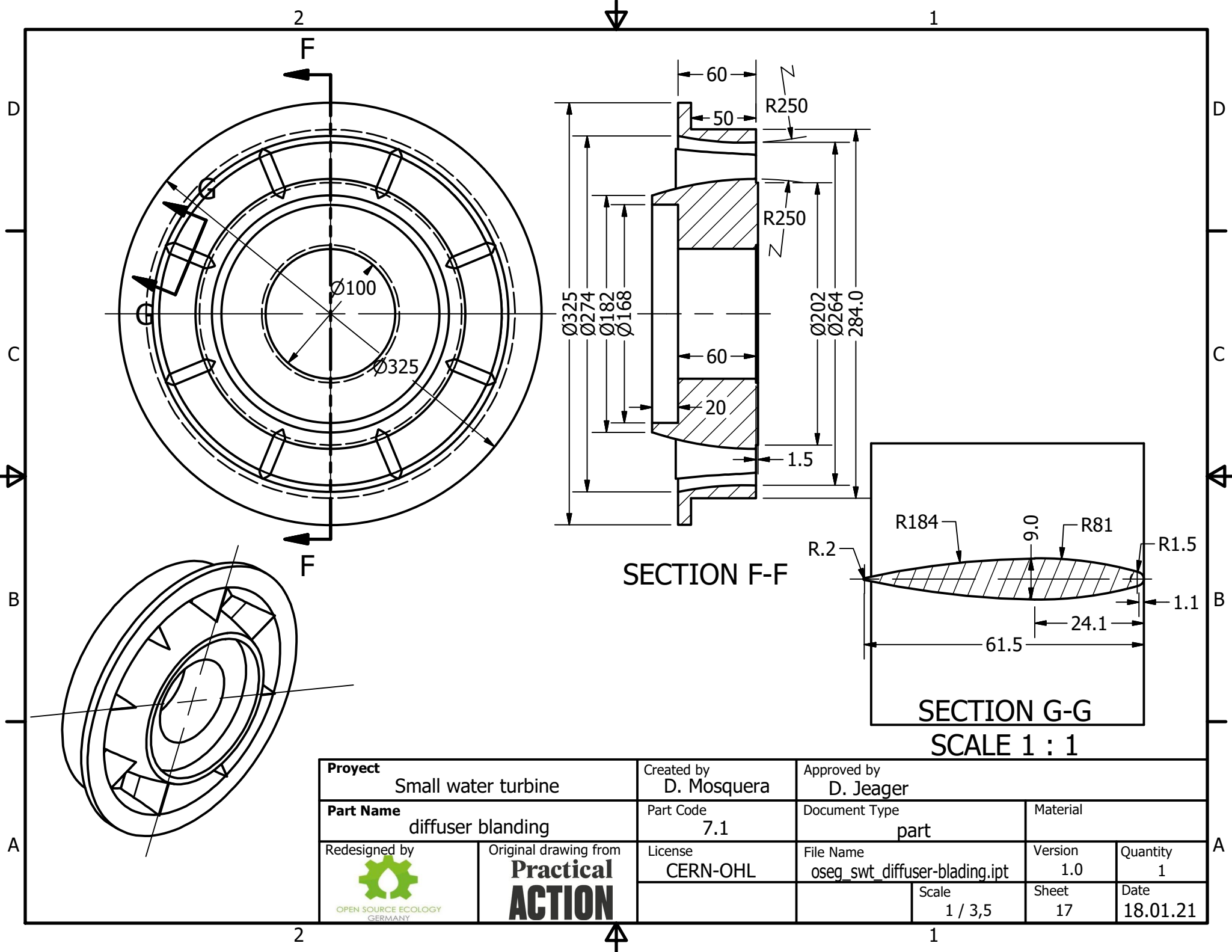
SECTION E-E  
SCALE 1 : 1



DETAIL 2

<b>Project</b> Small water turbine		<b>Created by</b> D. Mosquera		<b>Approved by</b> D. Jeager	
<b>Part Name</b> ROTOR BLADING		<b>Part Code</b> 6.1		<b>Document Type</b> part	
<b>Redesigned by</b>  OPEN SOURCE ECOLOGY GERMANY		<b>Original drawing from</b> <b>Practical ACTION</b>		<b>License</b> CERN-OHL	
		<b>File Name</b> oseg_swt_rotor-blading.ipt		<b>Version</b> 1.0	
		<b>Scale</b> 1/3		<b>Quantity</b> 1	
				<b>Sheet</b> 16	
				<b>Date</b> 18.01.21	




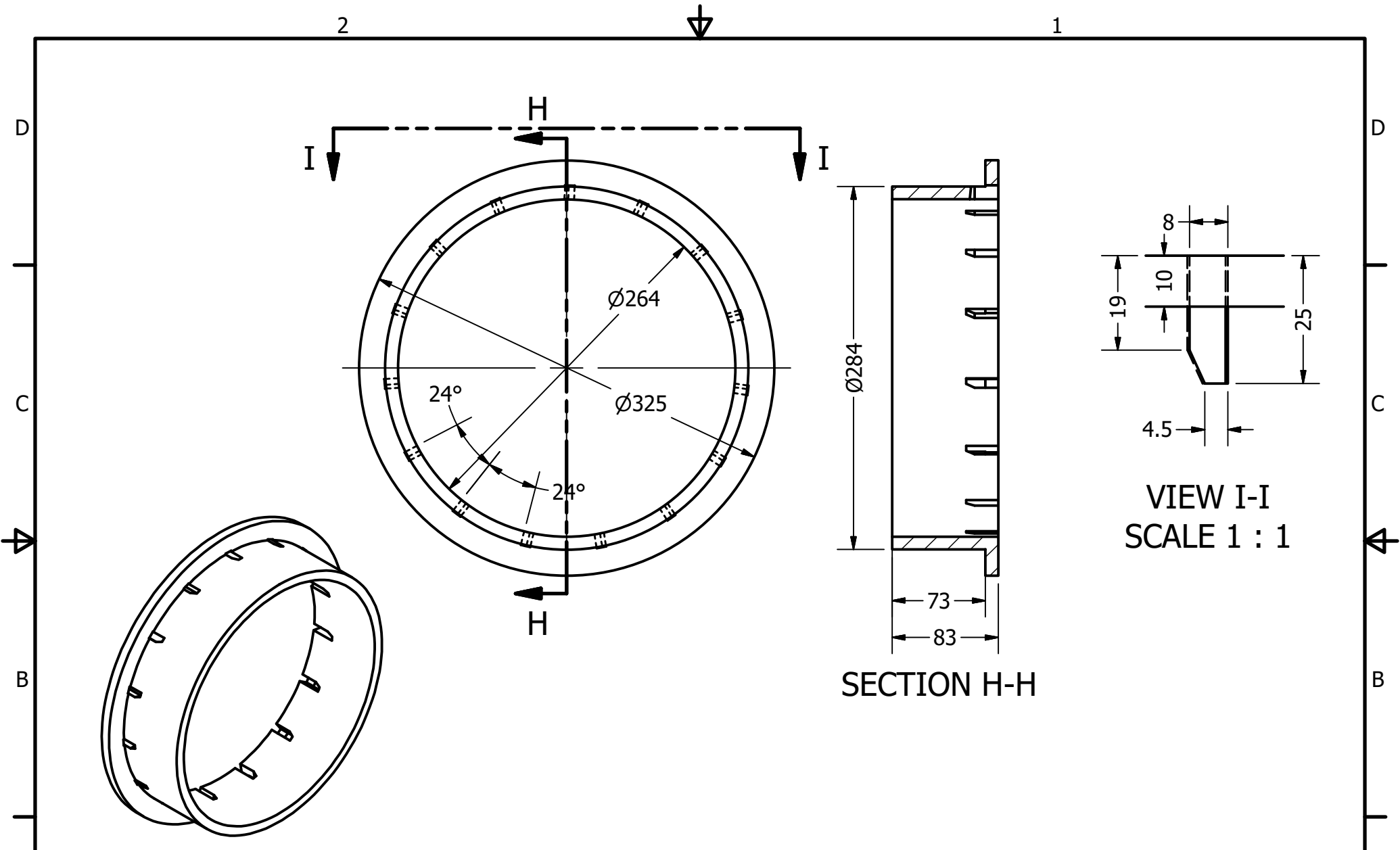


SECTION F-F

SECTION G-G


SCALE 1 : 1

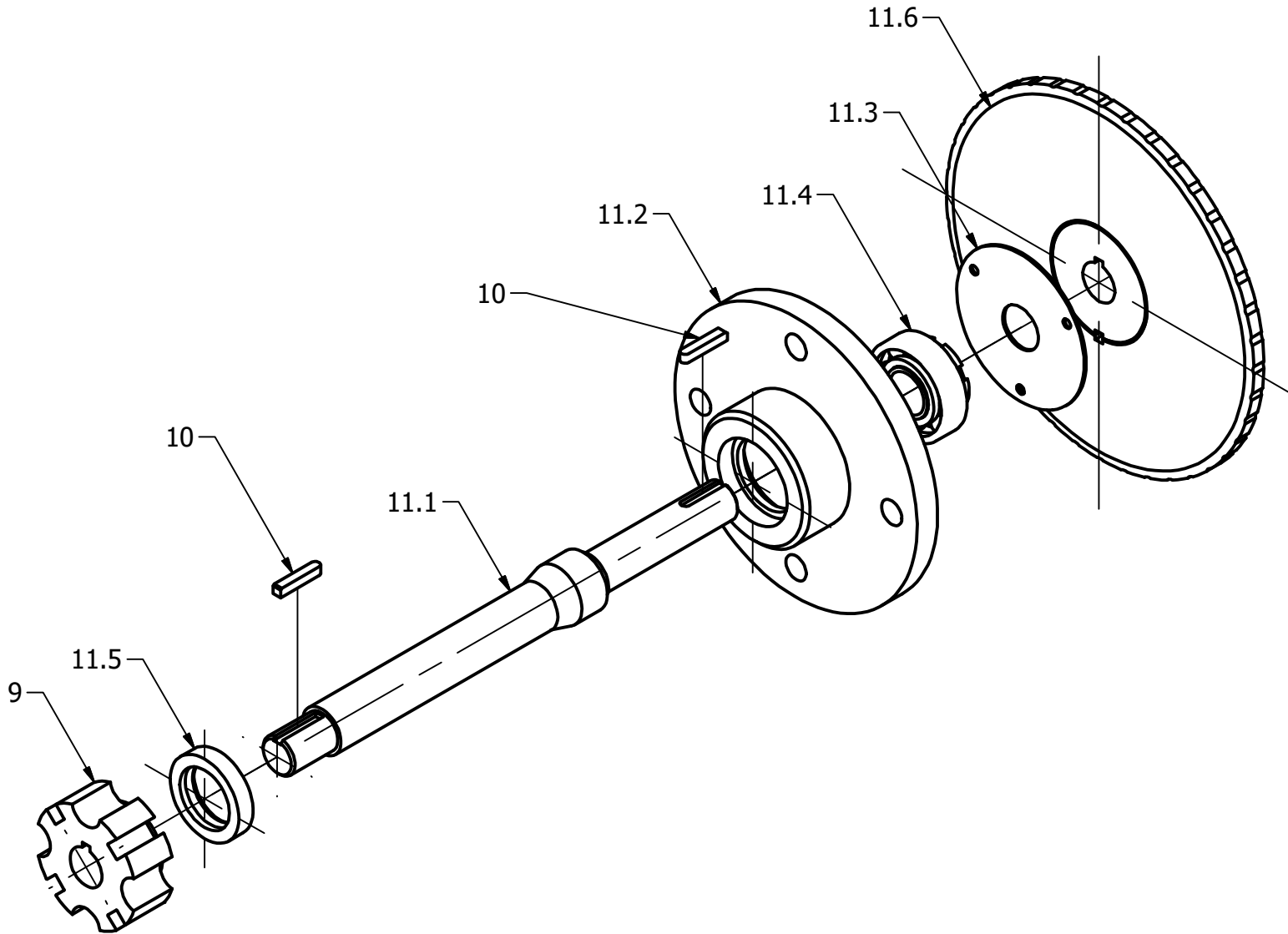
<b>Project</b> Small water turbine		Created by <b>D. Mosquera</b>		Approved by <b>D. Jeager</b>	
<b>Part Name</b> diffuser blanding		Part Code 7.1		Document Type part	
Redesigned by  OPEN SOURCE ECOLOGY GERMANY		Original drawing from <b>Practical ACTION</b>		License CERN-OHL	
		File Name oseg_swt_diffuser-blading.ipt		Version 1.0	
		Scale 1 / 3,5		Quantity 1	
				Sheet 17	
				Date 18.01.21	




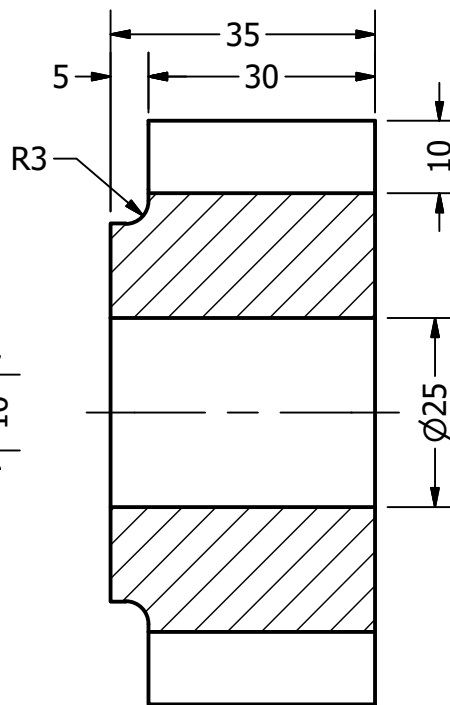
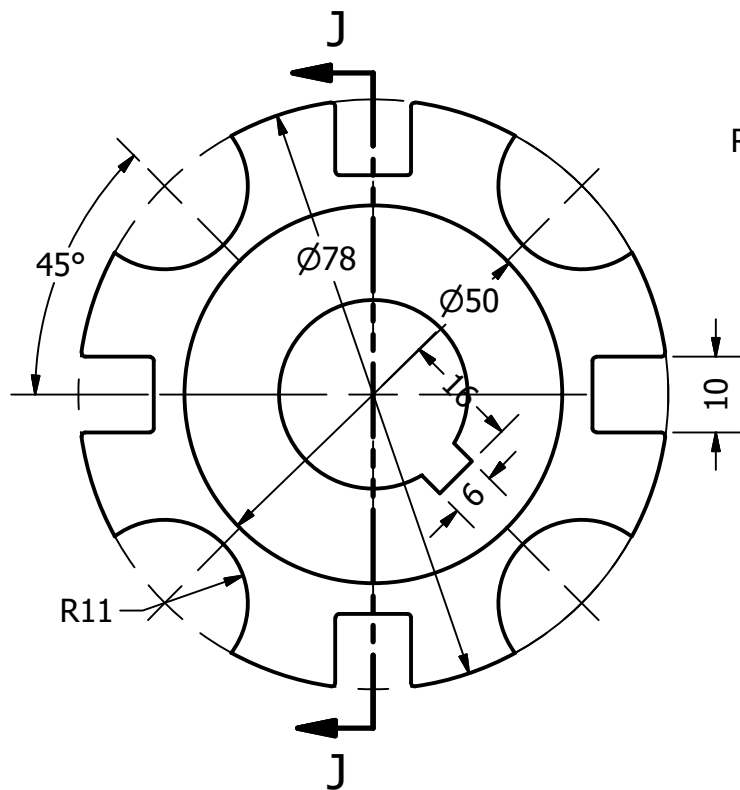
SECTION H-H

VIEW I-I  
SCALE 1 : 1

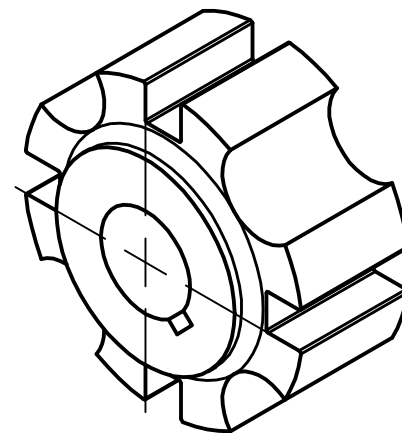
<b>Project</b> Small water turbine		Created by D. Mosquera		Approved by D. Jeager	
<b>Part Name</b> bush		Part Code 8	Document Type part		Material
Redesigned by  OPEN SOURCE ECOLOGY GERMANY	Original drawing from <b>Practical ACTION</b>	License CERN-OHL	File Name oseg_swt_bush.ipt	Version 1.0	Quantity 1
			Scale 1 / 4	Sheet 18	Date 18.01.21




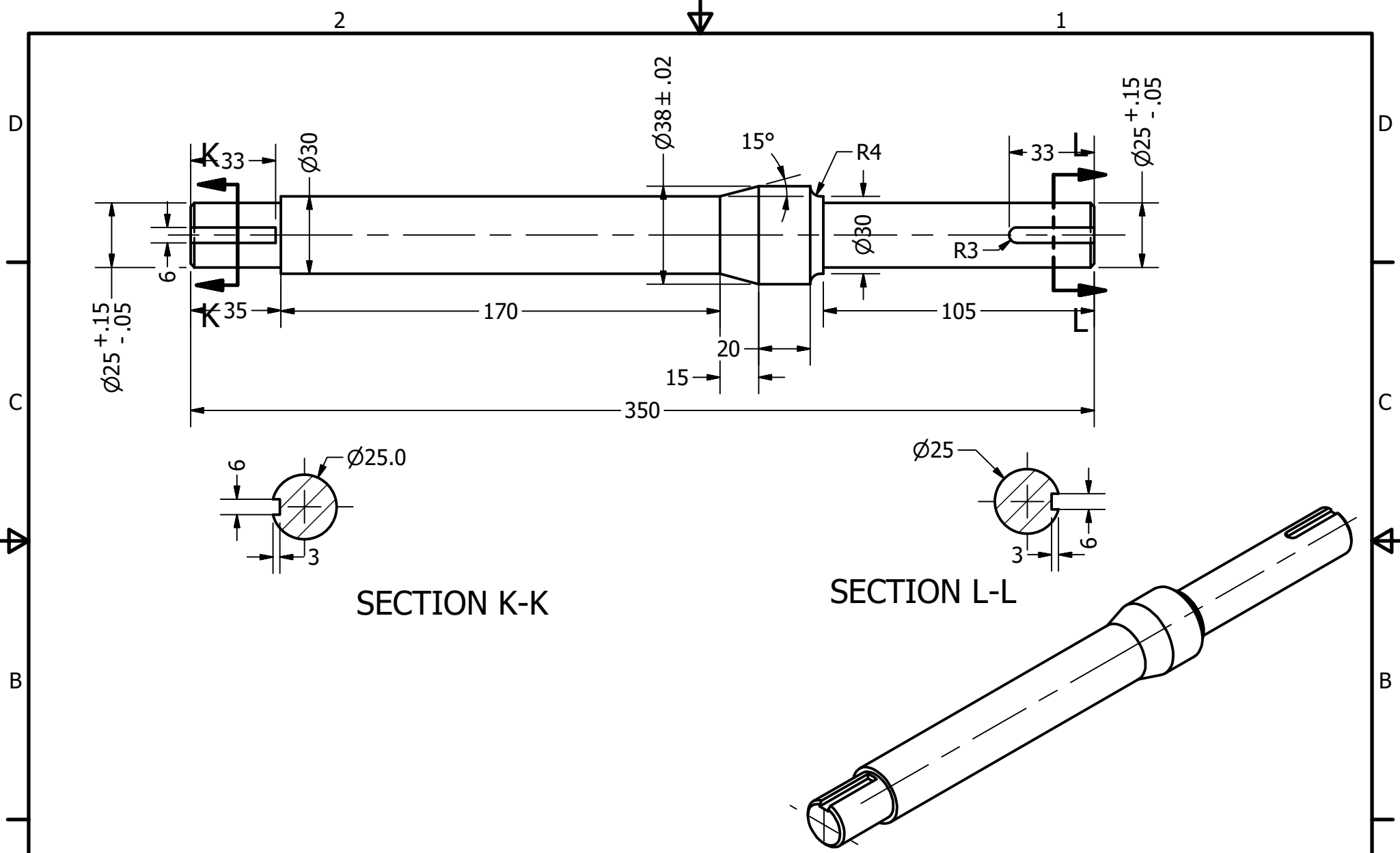
<b>Proyect</b> Small water turbine		Created by D. Mosquera		Approved by D. Jeager	
<b>Part Name</b> hub assembly		Part Code 11	Document Type part		Material
Redesigned by  OPEN SOURCE ECOLOGY GERMANY	Original drawing from <b>Practical ACTION</b>	License CERN-OHL	File Name oseg_swt_hub-assembly.iam	Version 1.0	Quantity 1
			Scale	Sheet 19	Date 18.01.21



SECTION J-J




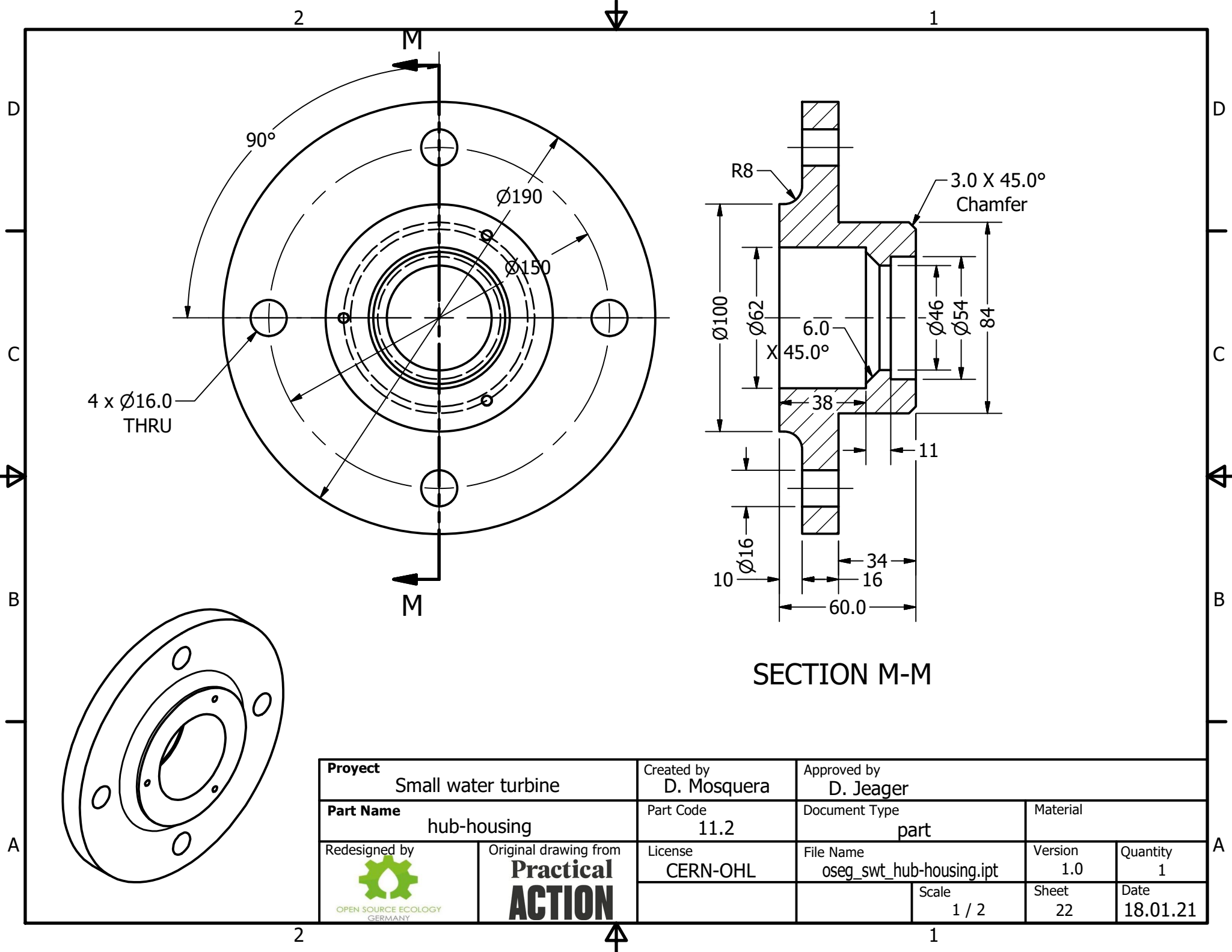
<b>Project</b> Small water turbine		Created by D. Mosquera		Approved by D. Jeager	
<b>Part Name</b> slotter disk		Part Code 9		Document Type part	
Redesigned by  OPEN SOURCE ECOLOGY GERMANY		Original drawing from <b>Practical ACTION</b>		File Name oseg_swt_slotted-disk.ipt	
		License CERN-OHL		Version 1.0	
		Scale 1 : 1		Quantity 1	
				Sheet 20	
				Date 18.01.21	




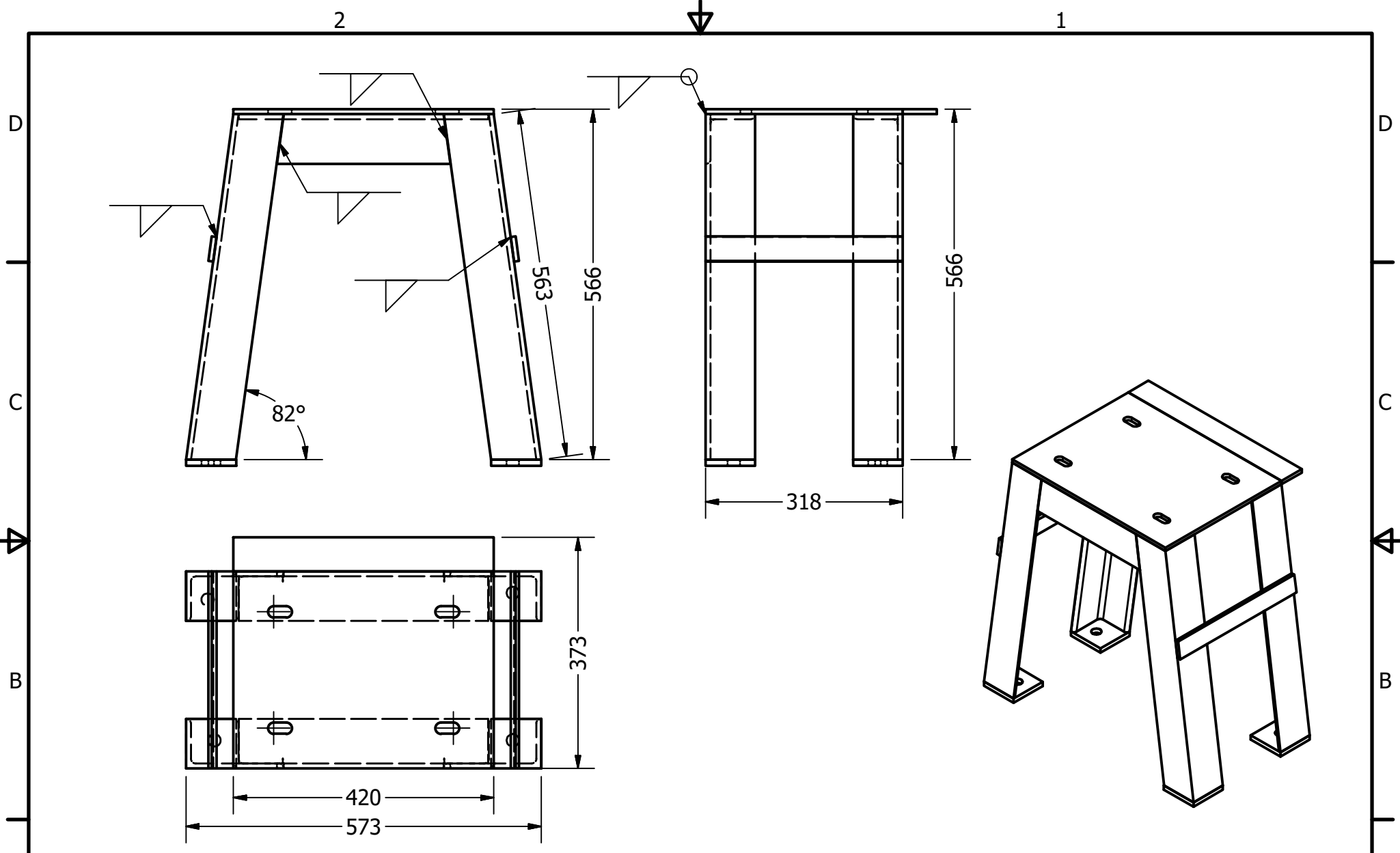
SECTION K-K


SECTION L-L

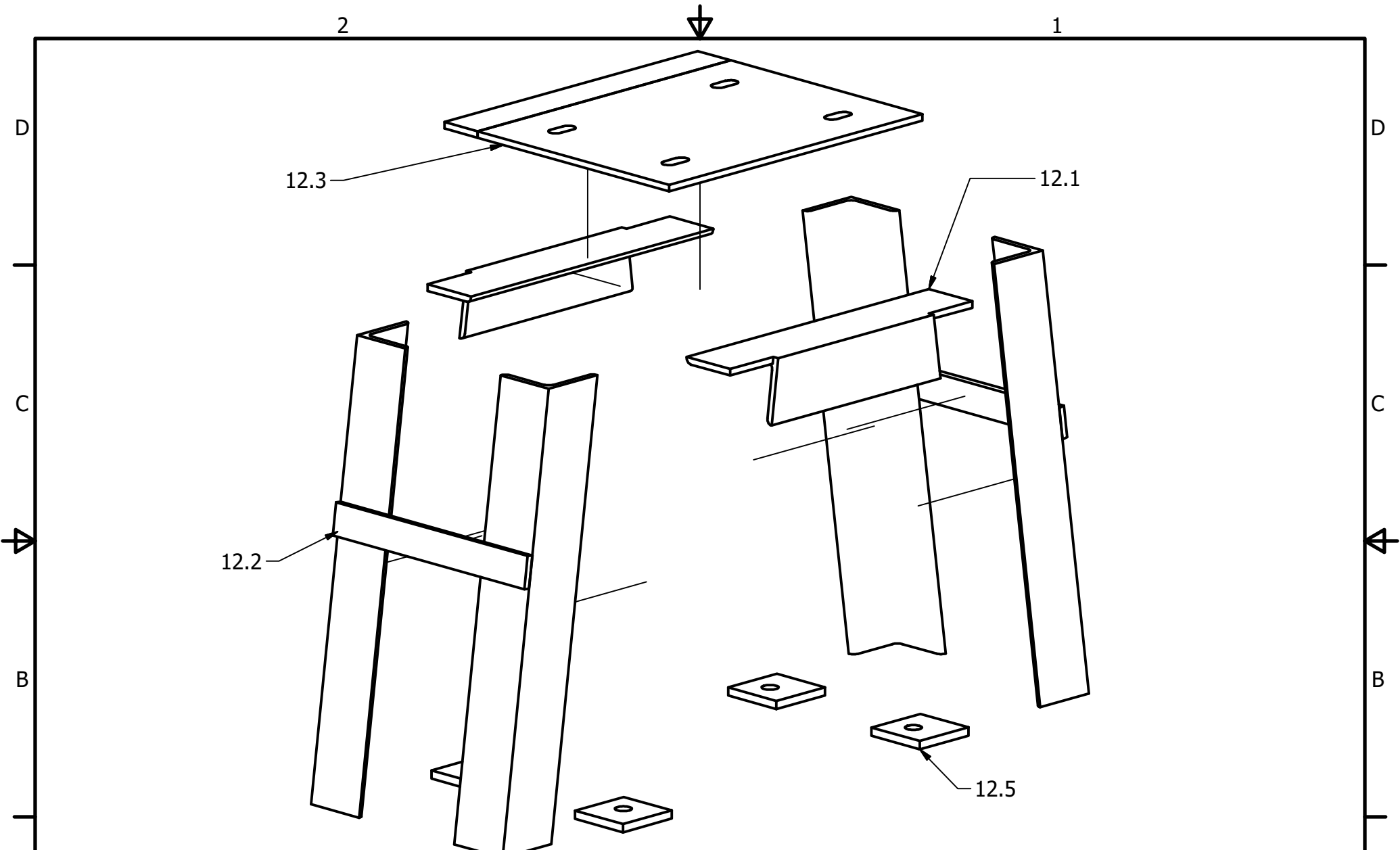
<b>Proyect</b> Small water turbine		Created by D. Mosquera		Approved by D. Jeager	
<b>Part Name</b> shaft		Part Code 11.1		Document Type part	
Redesigned by  OPEN SOURCE ECOLOGY GERMANY		Original drawing from <b>Practical ACTION</b>		License CERN-OHL	
				File Name oseg_sw_t_shaft.ipt	
				Version 1.0	
				Quantity 1	
				Scale 1 / 2	
				Sheet 21	
				Date 18.01.21	




<b>Project</b> Small water turbine		Created by <b>D. Mosquera</b>		Approved by <b>D. Jeager</b>	
<b>Part Name</b> hub-housing		Part Code 11.2		Document Type part	
Redesigned by  OPEN SOURCE ECOLOGY GERMANY		Original drawing from <b>Practical ACTION</b>		License CERN-OHL	
		File Name oseg_swt_hub-housing.ipt		Version 1.0	
		Scale 1 / 2		Quantity 1	
				Sheet 22	
				Date 18.01.21	

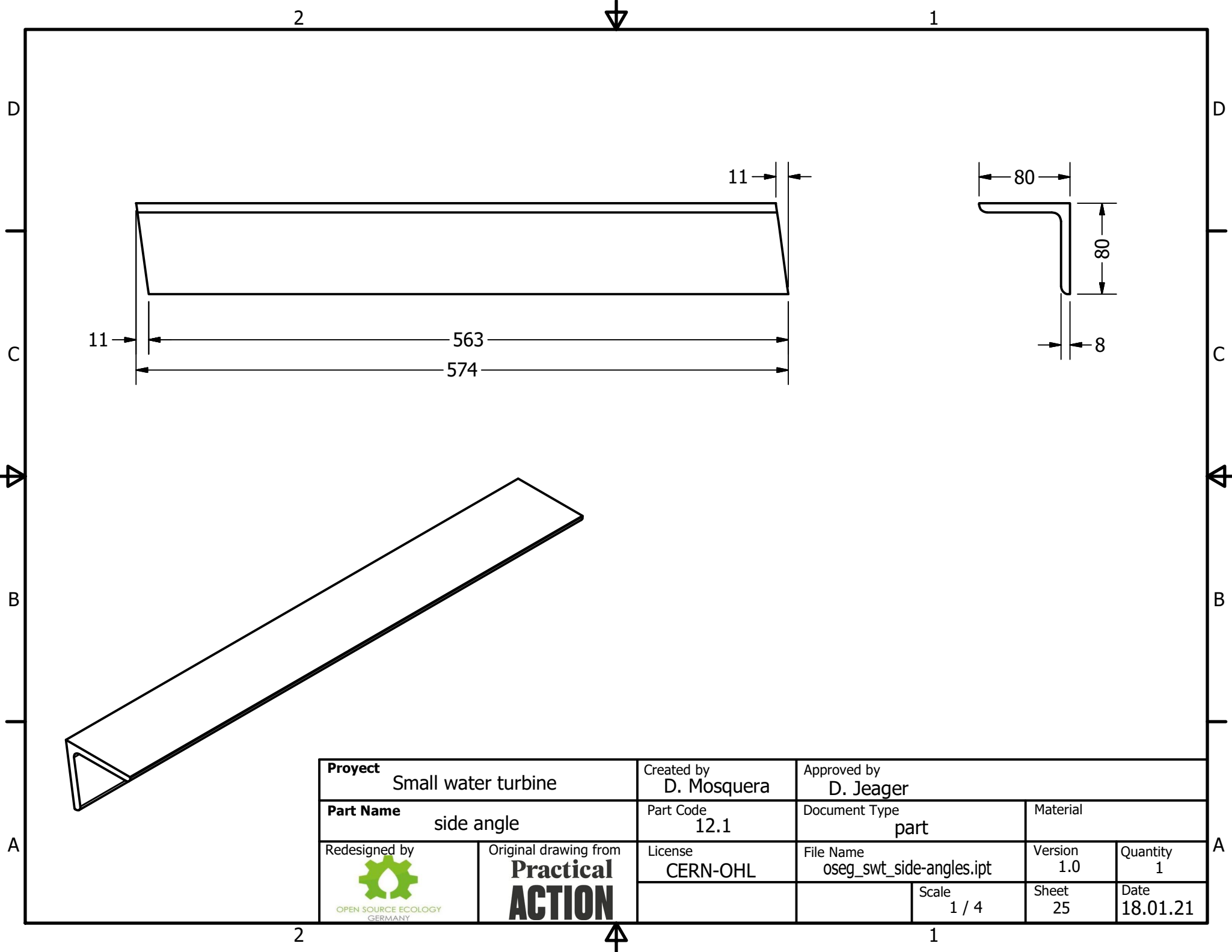



<b>Project</b> Small water turbine		Created by D. Mosquera		Approved by D. Jeager	
<b>Part Name</b> frame		Part Code 12		Document Type assemble	
Redesigned by  OPEN SOURCE ECOLOGY GERMANY		Original drawing from <b>Practical ACTION</b>		License CERN-OHL	
				File Name oseg_swt_frame.iam	
				Version 1.0	
				Quantity 1	
				Scale 1 / 10	
				Sheet 23	
				Date 18.01.21	

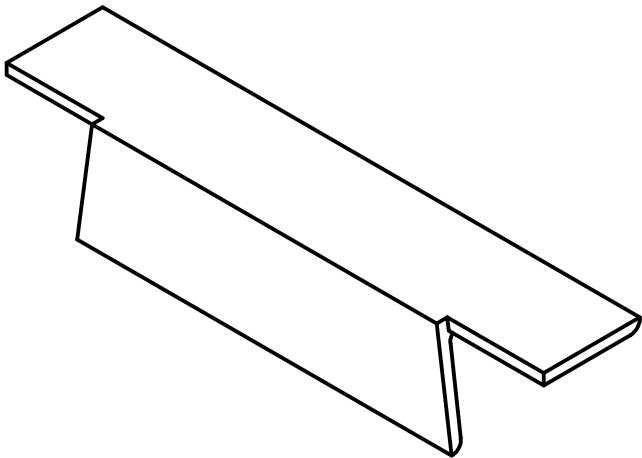
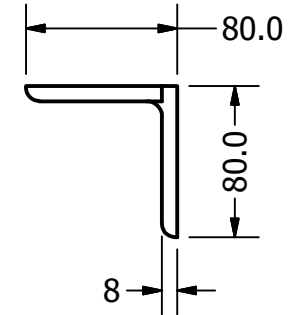
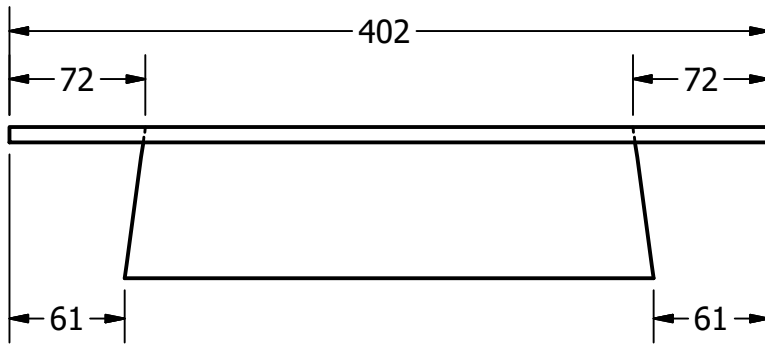



<b>Proyect</b> Small water turbine		Created by D. Mosquera		Approved by D. Jeager	
<b>Part Name</b> frame		Part Code 12		Document Type assemble	
Redesigned by  OPEN SOURCE ECOLOGY GERMANY		Original drawing from <b>Practical ACTION</b>		License CERN-OHL	
		File Name oseg_swt_frame.iam		Version 1.0	
		Scale 1 / 6		Quantity 1	
				Sheet 24	
				Date 18.01.21	

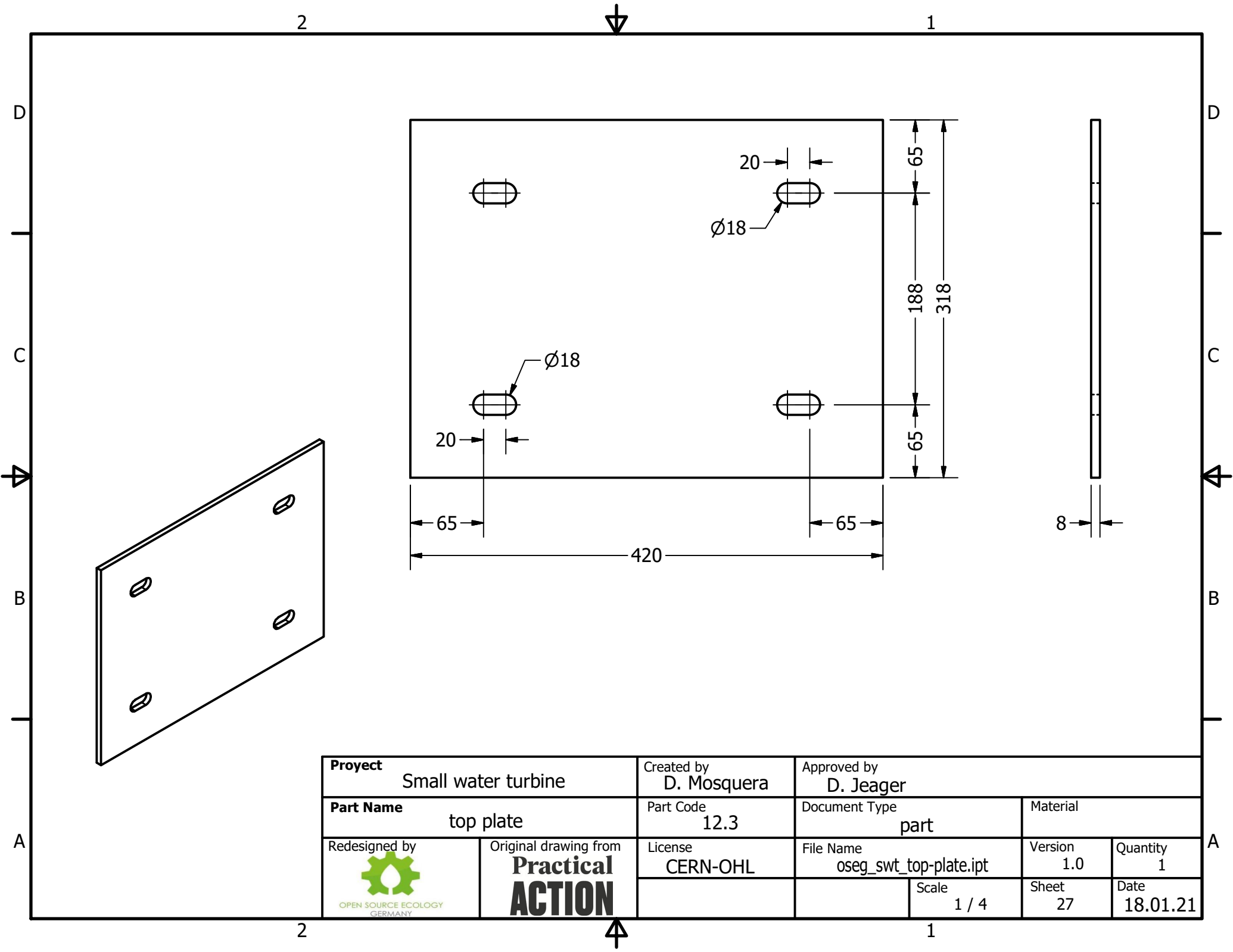





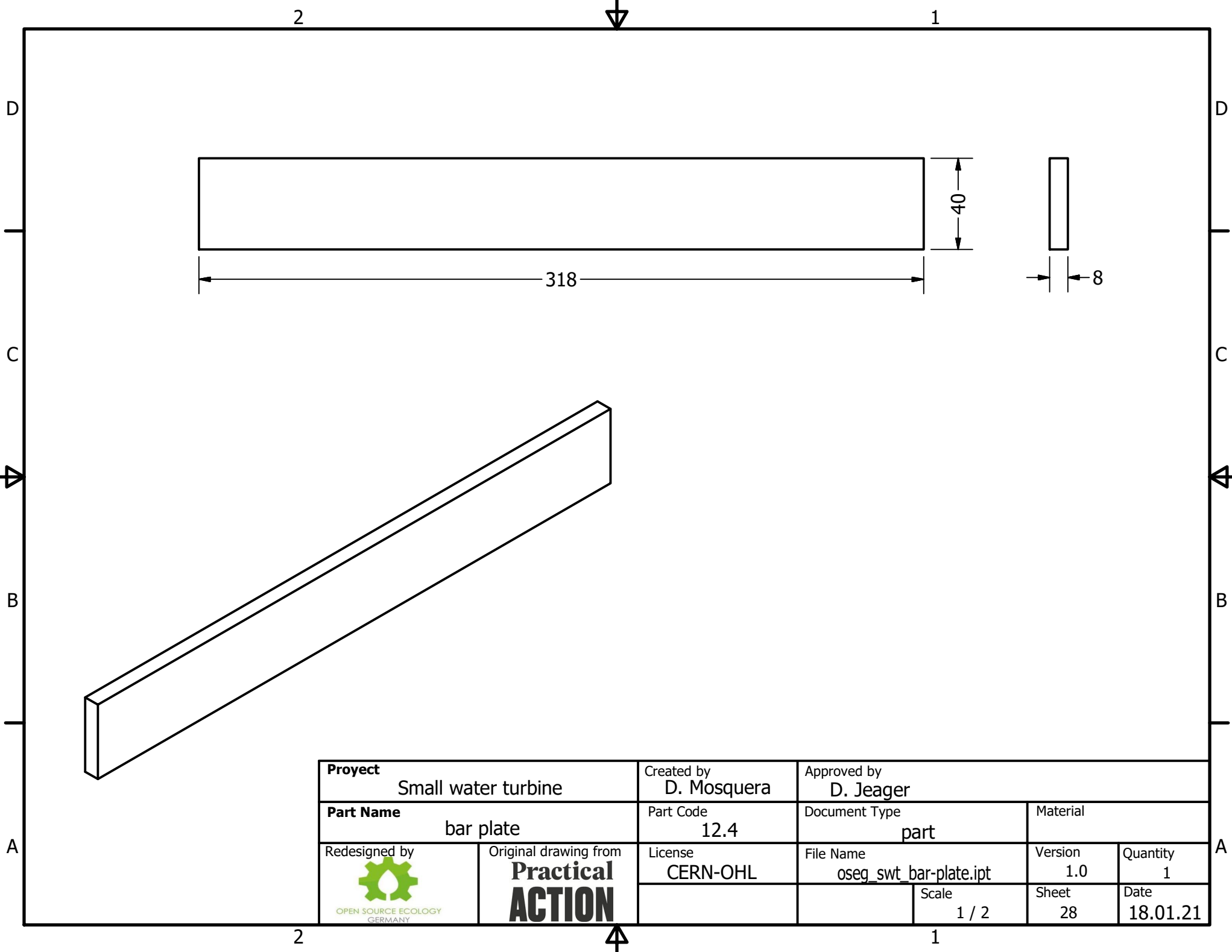
<b>Proyect</b> Small water turbine		Created by <b>D. Mosquera</b>		Approved by <b>D. Jeager</b>	
<b>Part Name</b> side angle		Part Code 12.1		Document Type part	
Redesigned by  OPEN SOURCE ECOLOGY GERMANY		Original drawing from <b>Practical ACTION</b>		License CERN-OHL	
		File Name oseg_swt_side-angles.ipt		Version 1.0	
		Scale 1 / 4		Quantity 1	
				Date 18.01.21	
				Sheet 25	




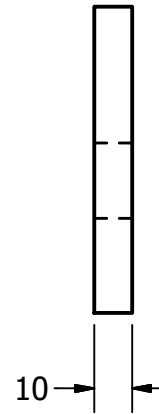
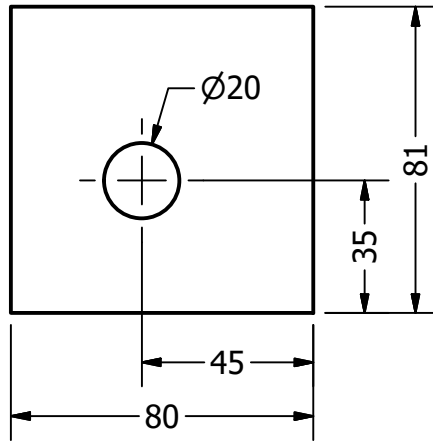
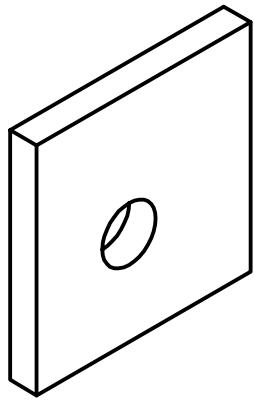
<b>Proyect</b> Small water turbine		Created by D. Mosquera		Approved by D. Jeager	
<b>Part Name</b> top angle		Part Code 12.2		Document Type part	
Redesigned by  OPEN SOURCE ECOLOGY GERMANY		Original drawing from <b>Practical ACTION</b>		License CERN-OHL	
				File Name oseg_swt_top-angles.ipt	
				Version 1.0	
				Quantity 1	
				Scale 1 / 4	
				Sheet 26	
				Date 18.01.21	




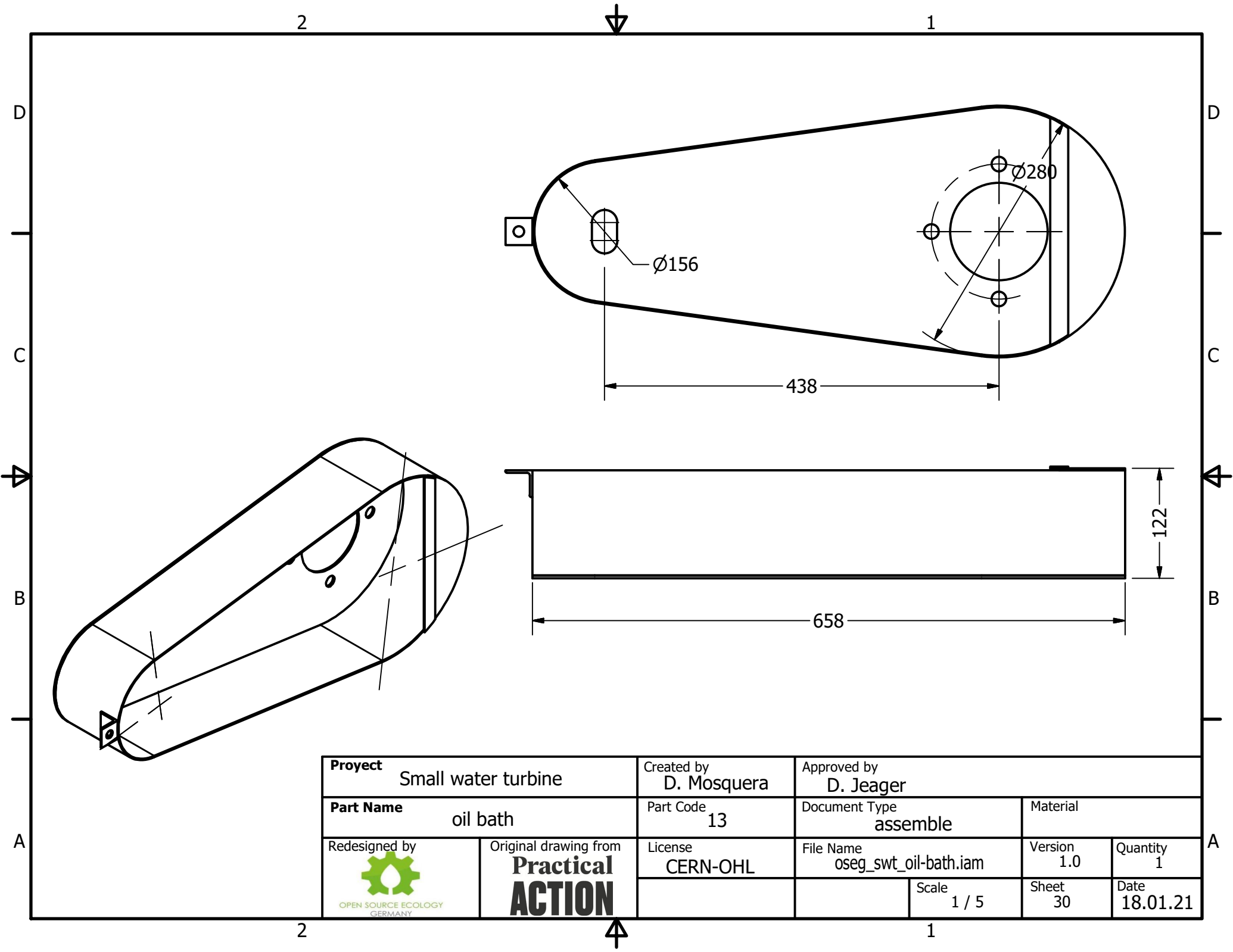
<b>Proyect</b> Small water turbine		Created by <b>D. Mosquera</b>		Approved by <b>D. Jeager</b>	
<b>Part Name</b> top plate		Part Code 12.3		Document Type part	
Redesigned by  OPEN SOURCE ECOLOGY GERMANY		Original drawing from <b>Practical ACTION</b>		License CERN-OHL	
		File Name oseg_swt_top-plate.ipt		Version 1.0	
		Scale 1 / 4		Quantity 1	
				Date 18.01.21	
				Sheet 27	




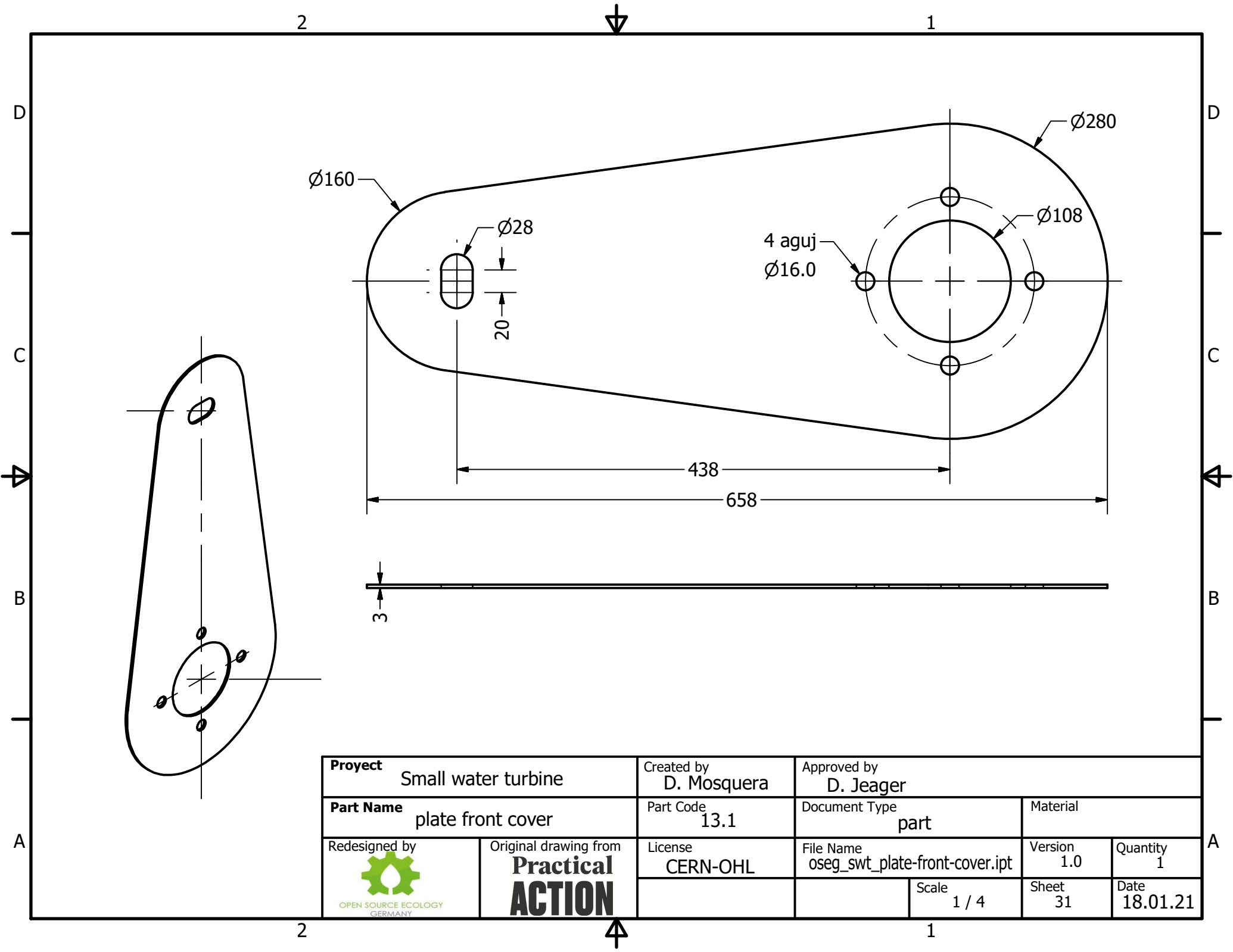
<b>Proyect</b> Small water turbine		Created by D. Mosquera	Approved by D. Jeager		
<b>Part Name</b> bar plate		Part Code 12.4	Document Type part	Material	
Redesigned by  OPEN SOURCE ECOLOGY GERMANY	Original drawing from <b>Practical ACTION</b>	License CERN-OHL	File Name oseg_swt_bar-plate.ipt	Version 1.0	Quantity 1
			Scale 1 / 2	Sheet 28	Date 18.01.21




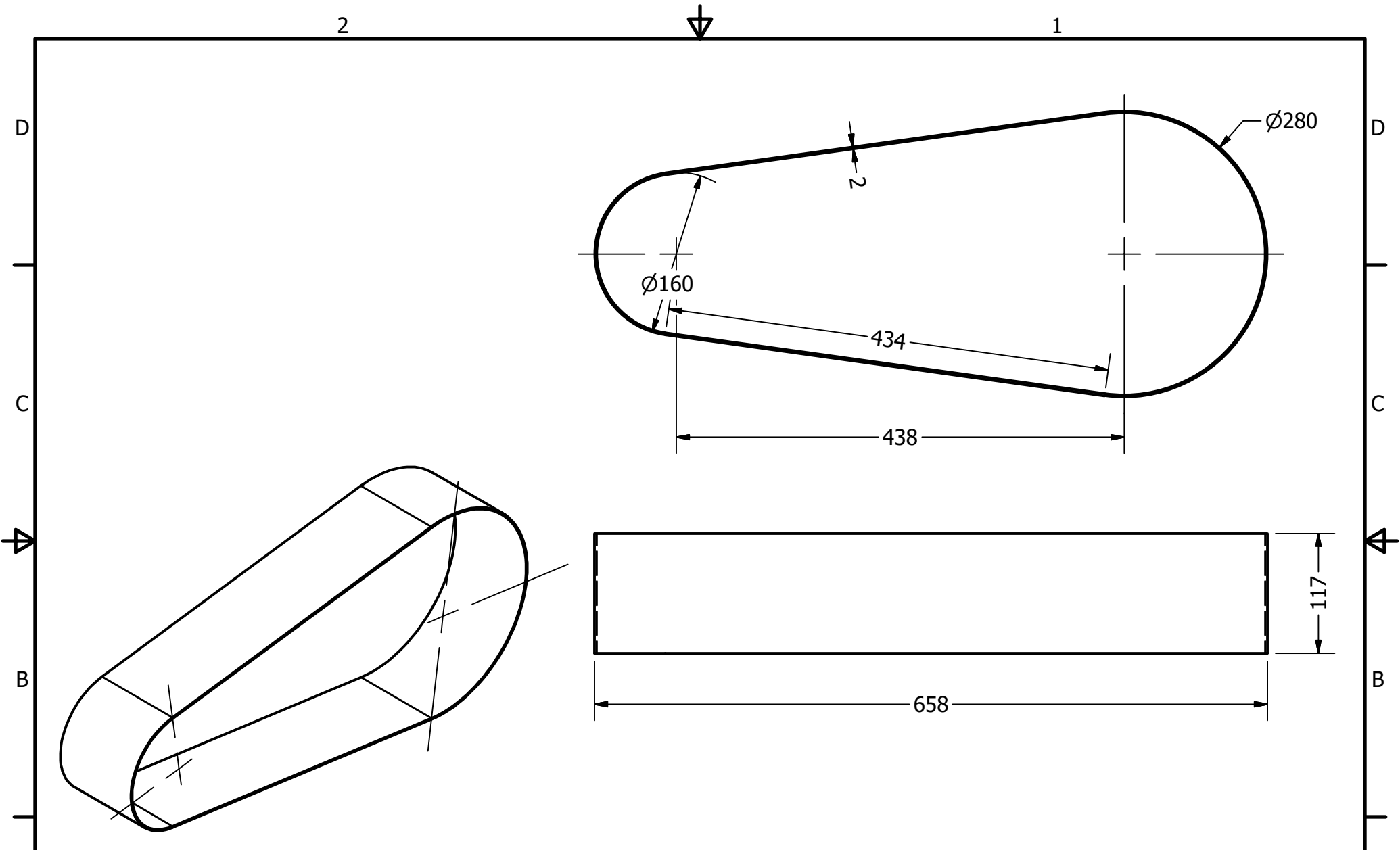
<b>Proyect</b> Small water turbine		Created by <b>D. Mosquera</b>		Approved by <b>D. Jeager</b>	
<b>Part Name</b> foundation plate		Part Code 12.5		Document Type part	
Redesigned by  OPEN SOURCE ECOLOGY GERMANY		Original drawing from <b>Practical ACTION</b>		License CERN-OHL	
				File Name oseg_swt_foundation-plate.ipt	
				Version 1.0	
				Quantity 1	
				Scale 1 / 2	
				Sheet 29	
				Date 18.01.21	




<b>Proyect</b> Small water turbine		Created by <b>D. Mosquera</b>		Approved by <b>D. Jeager</b>	
<b>Part Name</b> oil bath		Part Code 13		Document Type assemble	
Redesigned by  OPEN SOURCE ECOLOGY GERMANY		Original drawing from <b>Practical ACTION</b>		License CERN-OHL	
				File Name oseg_swt_oil-bath.iam	
				Version 1.0	
				Quantity 1	
				Scale 1 / 5	
				Sheet 30	
				Date 18.01.21	

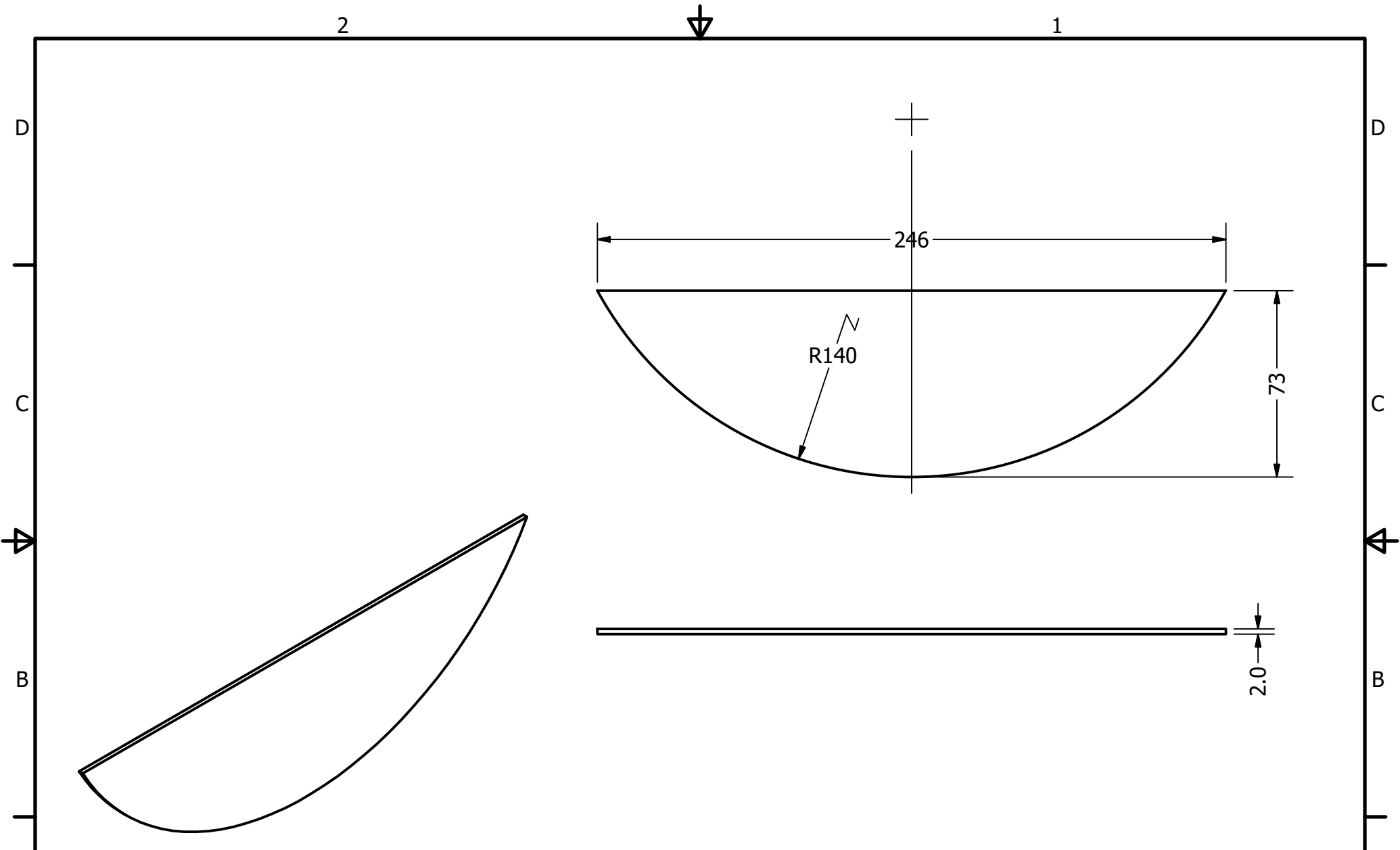



<b>Proyect</b> Small water turbine		Created by <b>D. Mosquera</b>		Approved by <b>D. Jeager</b>	
<b>Part Name</b> plate front cover		Part Code 13.1	Document Type part		Material
Redesigned by  OPEN SOURCE ECOLOGY GERMANY	Original drawing from <b>Practical ACTION</b>	License CERN-OHL	File Name oseg_swt_plate-front-cover.ipt	Version 1.0	Quantity 1
			Scale 1 / 4	Sheet 31	Date 18.01.21

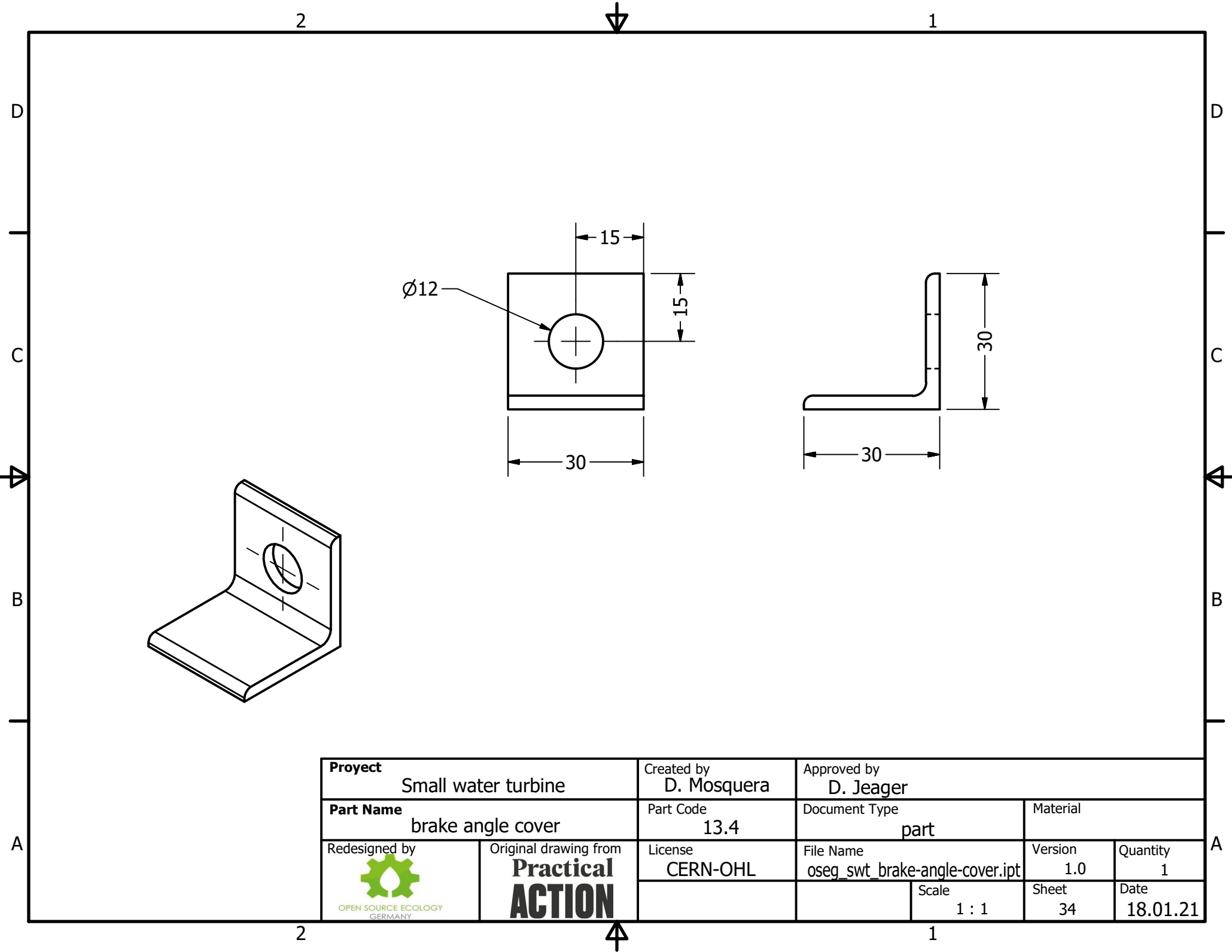



<b>Proyect</b> Small water turbine		Created by D. Mosquera		Approved by D. Jeager		
<b>Part Name</b> band side cover		Part Code 13.2		Document Type part		Material
Redesigned by  OPEN SOURCE ECOLOGY GERMANY	Original drawing from <b>Practical ACTION</b>		License CERN-OHL		File Name oseq swt band-side-cover.ipt	
			Scale 1 / 5		Version 1.0	Quantity 1
					Sheet 32	

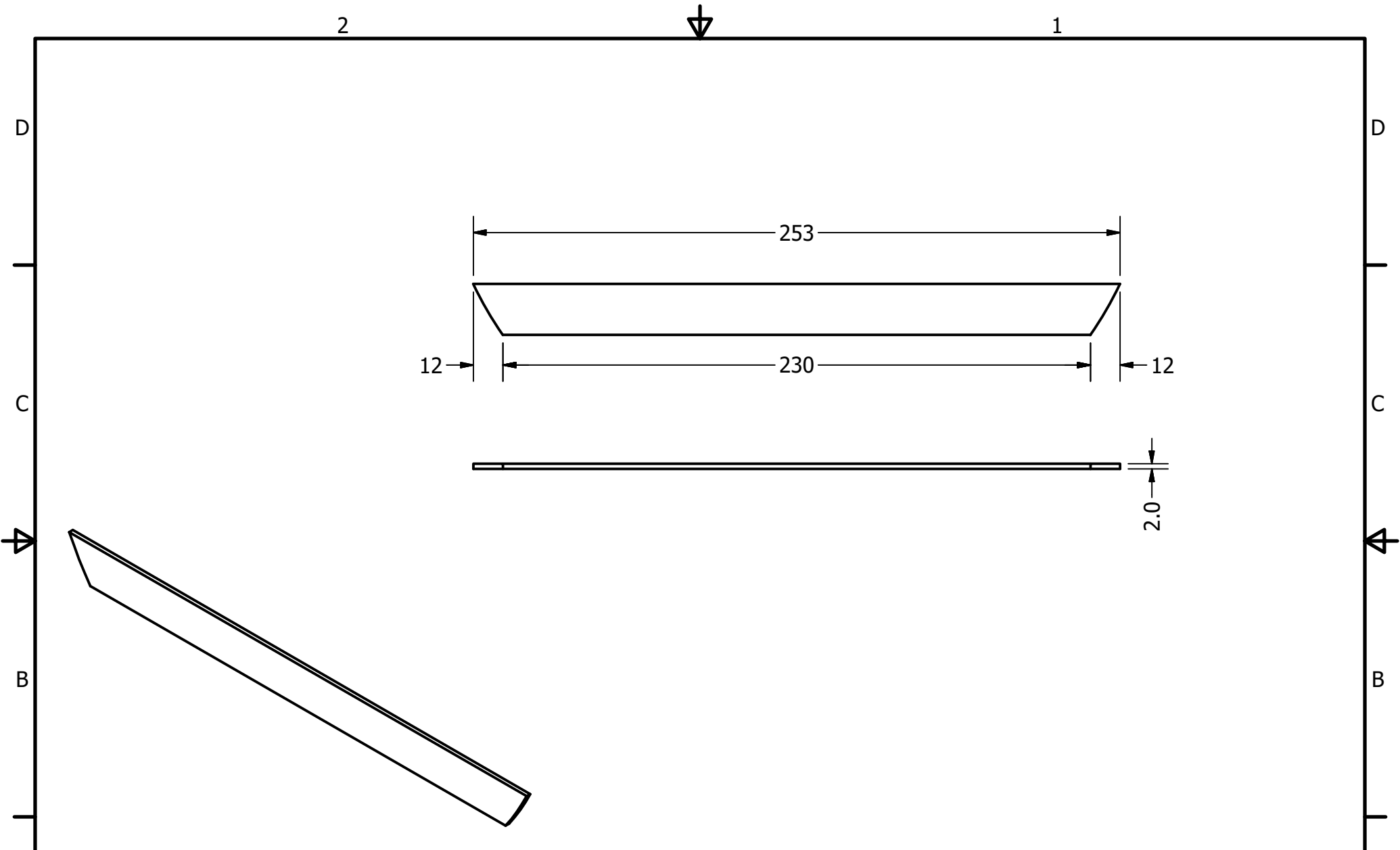





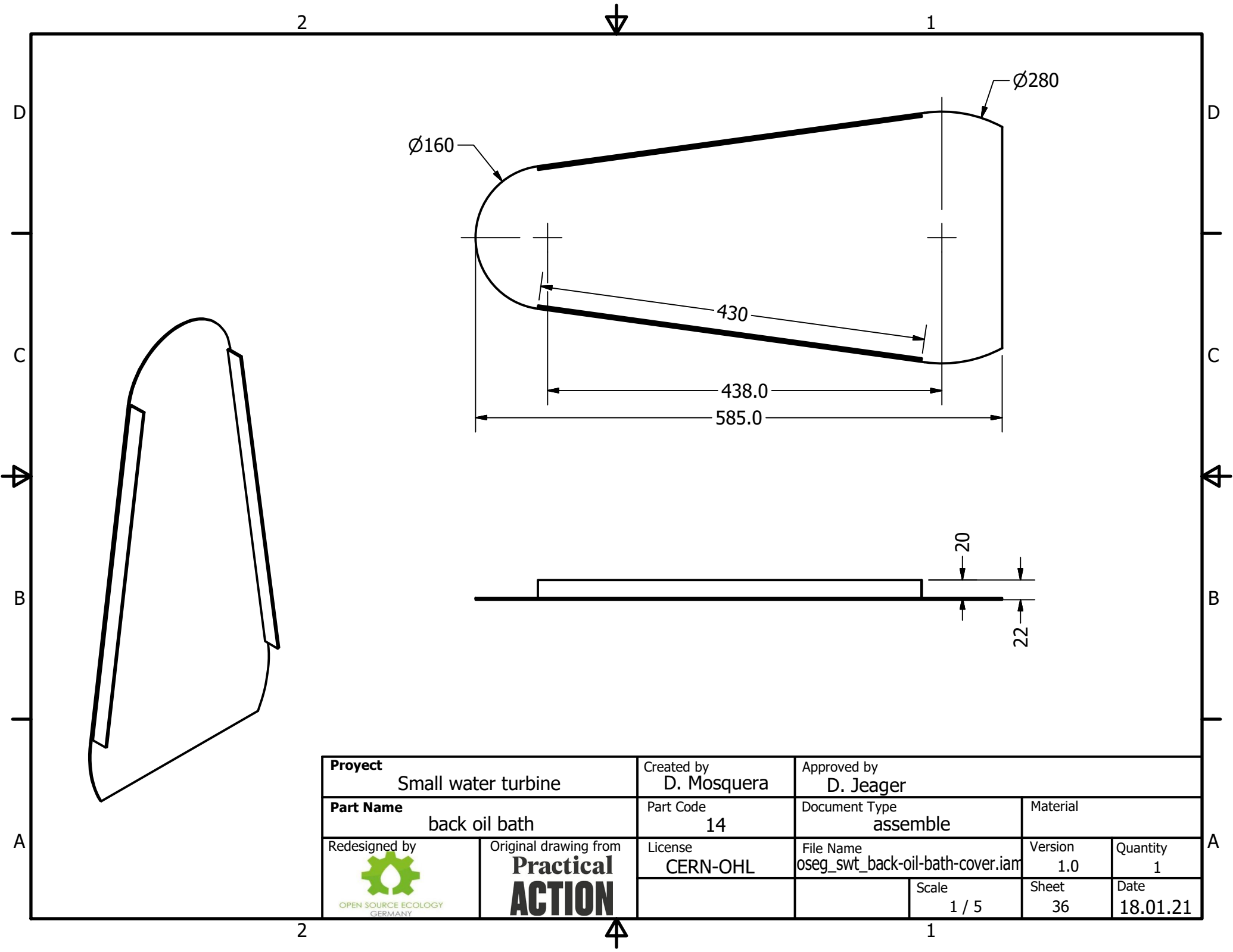
<b>Proyect</b> Small water turbine		Created by D. Mosquera		Approved by D. Jeager		
<b>Part Name</b> plate down cover		Part Code 13.3		Document Type part		Material
Redesigned by  OPEN SOURCE ECOLOGY GERMANY	Original drawing from <b>Practical ACTION</b>		License CERN-OHL		File Name oseg_sw_t_plate-down-cover.ipt	
			Scale 1 / 2		Version 1.0	Quantity 1
					Sheet 33	Date 18.01.21




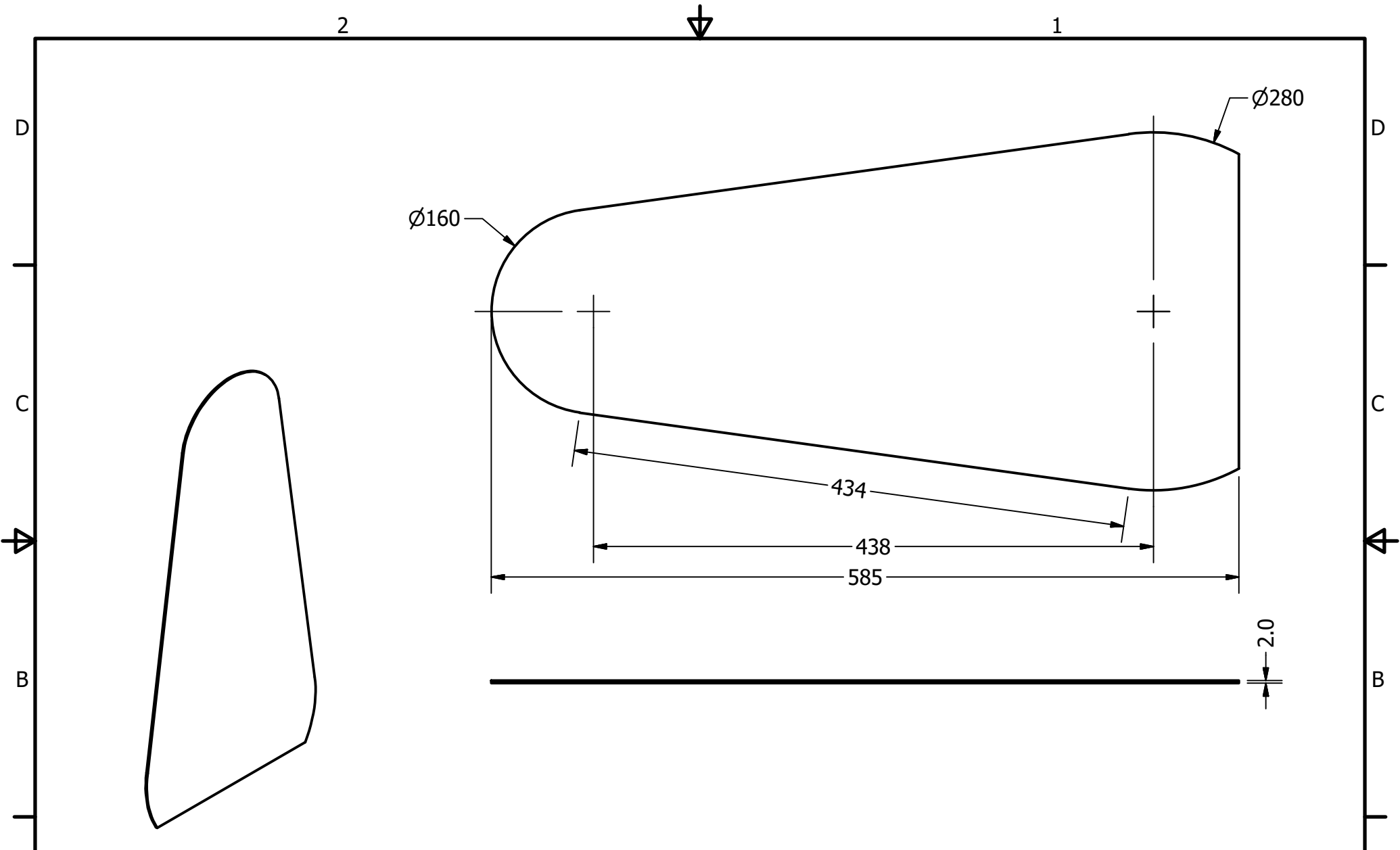
<b>Proyect</b> Small water turbine		Created by D. Mosquera		Approved by D. Jeager		
<b>Part Name</b> brake angle cover		Part Code 13.4		Document Type part		Material
Redesigned by  OPEN SOURCE ECOLOGY GERMANY	Original drawing from <b>Practical ACTION</b>		License CERN-OHL		File Name oseg_swt_brake-angle-cover.ipt	
			Scale 1 : 1		Version 1.0	Quantity 1
					Sheet 34	




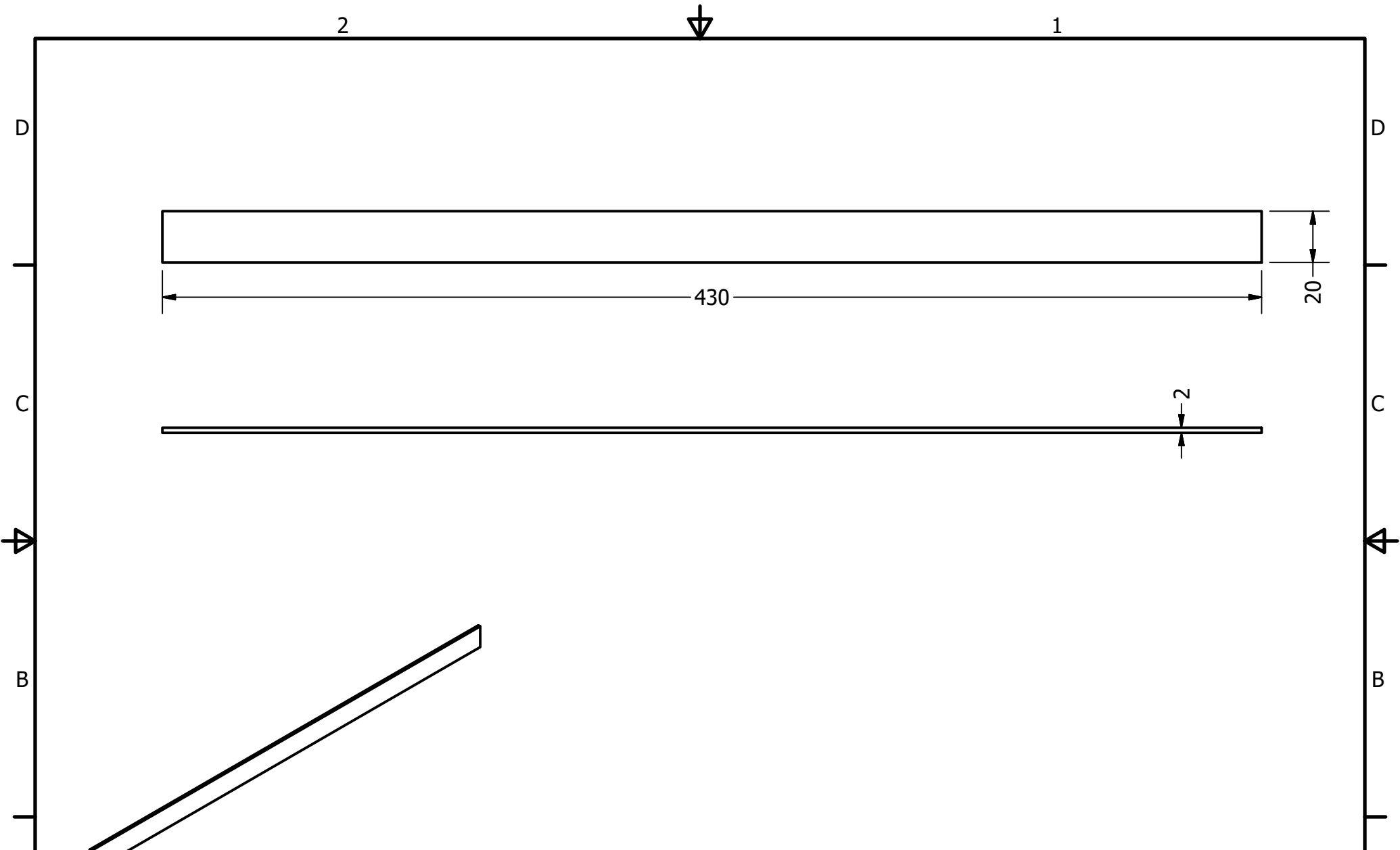
<b>Proyect</b> Small water turbine		Created by D. Mosquera		Approved by D. Jeager		
<b>Part Name</b> brake bar cover		Part Code 13.5		Document Type part		Material
Redesigned by  OPEN SOURCE ECOLOGY GERMANY	Original drawing from <b>Practical ACTION</b>		License CERN-OHL		File Name oseg_swt_brake-bar-cover.ipt	
			Scale 1 / 2		Version 1.0	Quantity 1
					Sheet 35	Date 18.01.21




<b>Proyect</b> Small water turbine		Created by <b>D. Mosquera</b>		Approved by <b>D. Jeager</b>	
<b>Part Name</b> back oil bath		Part Code 14		Document Type assemble	
Redesigned by  OPEN SOURCE ECOLOGY GERMANY		Original drawing from <b>Practical ACTION</b>		File Name oseg_swt_back-oil-bath-cover.iam	
		License CERN-OHL		Version 1.0	
				Quantity 1	
		Scale 1 / 5		Sheet 36	
				Date 18.01.21	



<b>Proyect</b> Small water turbine		Created by D. Mosquera		Approved by D. Jeager		
<b>Part Name</b> plate back cover		Part Code 14.1		Document Type part		Material
Redesigned by  OPEN SOURCE ECOLOGY GERMANY	Original drawing from <b>Practical ACTION</b>		License CERN-OHL		File Name oseg_swt_plate-back-cover.ipt	
			Scale 1 / 4		Version 1.0	
					Sheet 37	
					Date 18.01.21	



<b>Proyect</b> Small water turbine		Created by D. Mosquera	Approved by D. Jeager		
<b>Part Name</b> bar for plate front		Part Code 14.2	Document Type part	Material	
Redesigned by  OPEN SOURCE ECOLOGY GERMANY	Original drawing from <b>Practical ACTION</b>	License CERN-OHL	File Name oseg_swf_bar-for-plate-front.ipt	Version 1.0	Quantity 1
			Scale 1 / 2	Sheet 38	Date 18.01.21