


Proyect Small water turbine		Created by D. Mosquera		Approved by D. Jeager	
Part Name small-water-turbiner		Part Code A1		Document Type ASSEMBLY	
Redesigned by  OPEN SOURCE ECOLOGY GERMANY		Original drawing from Practical ACTION		License CERN-OHL	
				File Name oseg_swt_A1_small-water-turbiner	
				Version 1.0	
				Quantity 1	
				Scale 1:8	
				Sheet 1	
				Date 18.01.21	

2

1

D

D

C

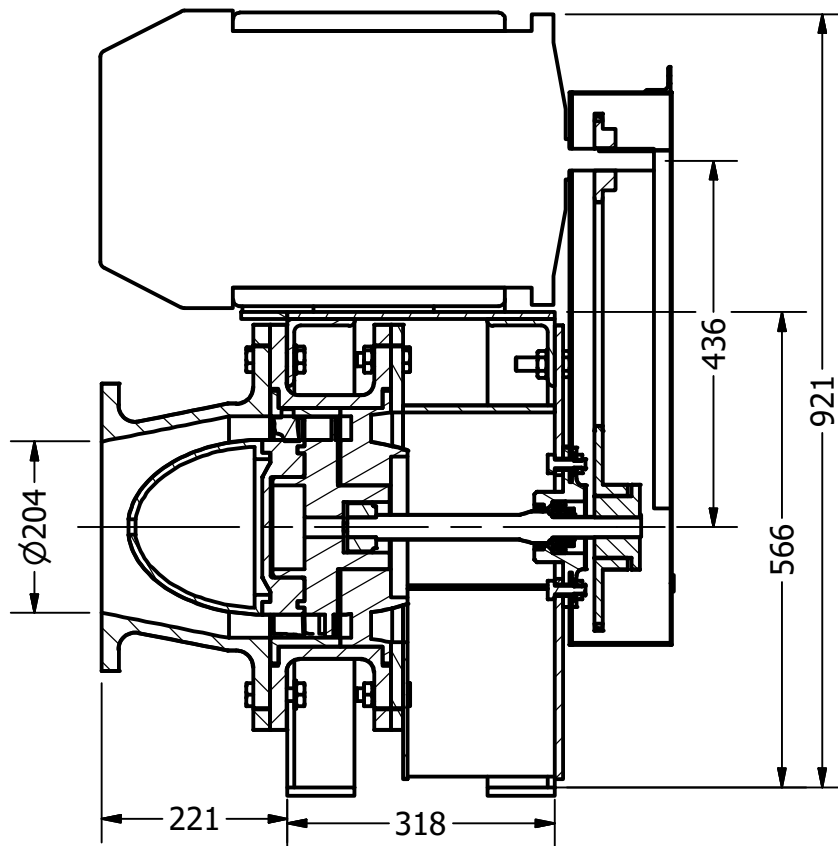
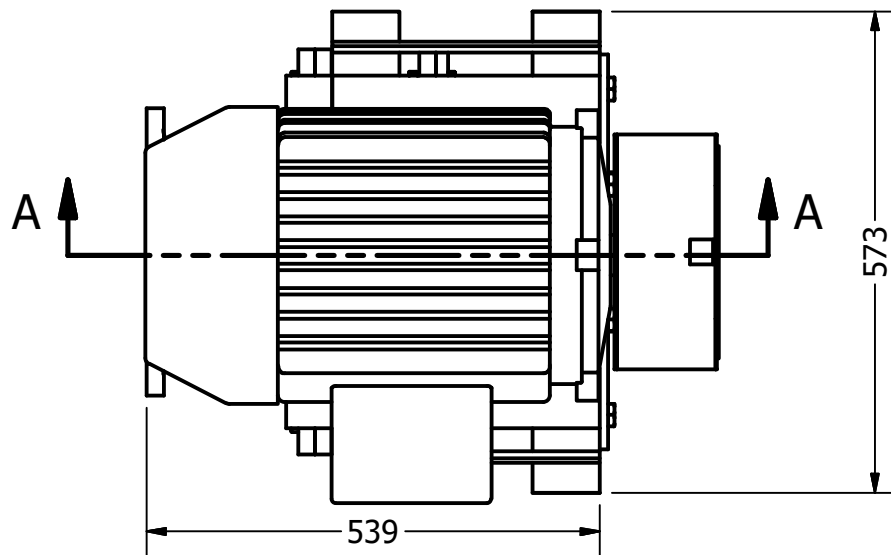
C

B


B

A

A



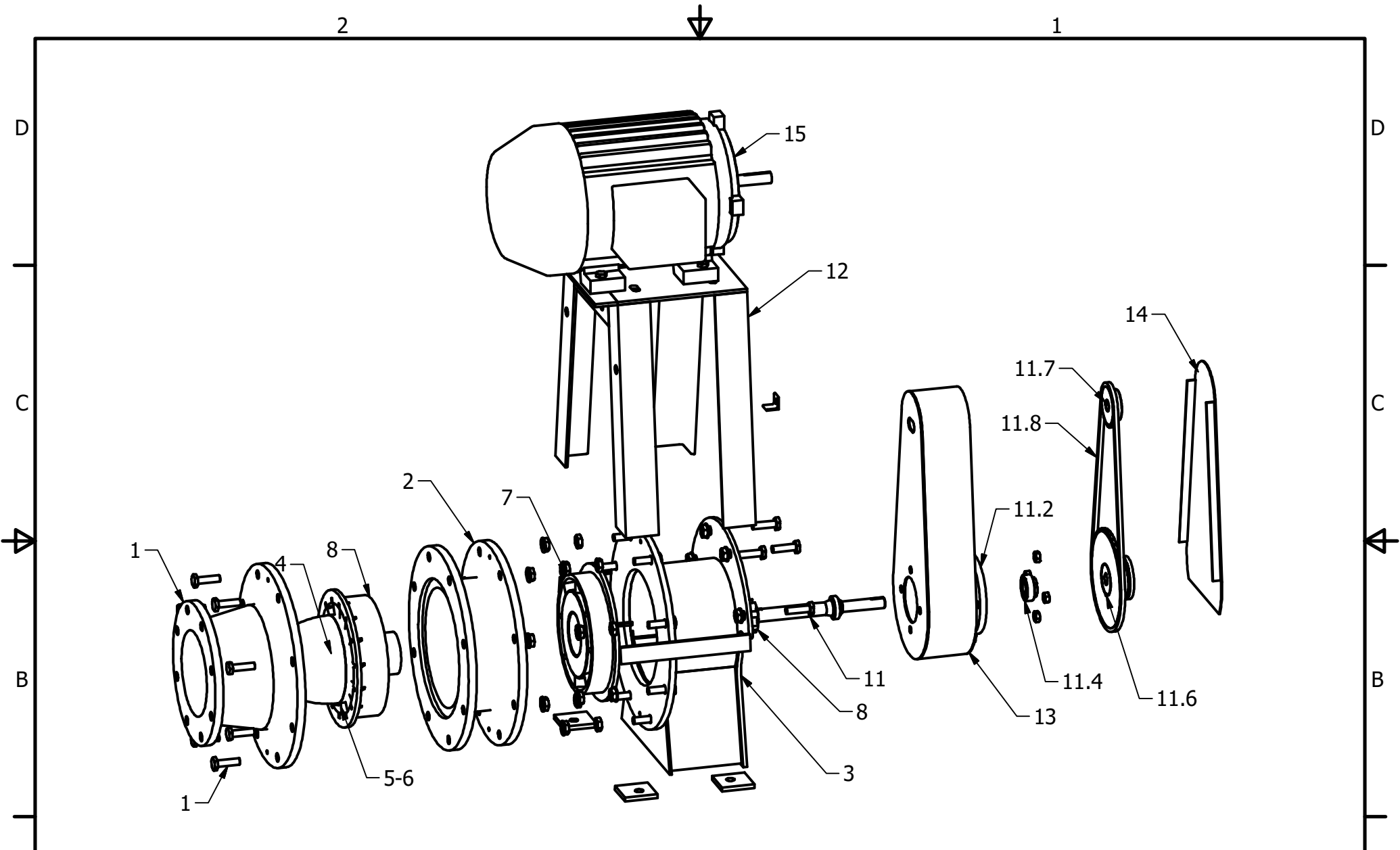
SECTION A-A


Proyect Small water turbine		Created by D. Mosquera		Approved by D. Jeager	
Part Name small-water-turbiner		Part Code A1		Document Type ASSEMBLY	
Redesigned by  OPEN SOURCE ECOLOGY GERMANY		Original drawing from Practical ACTION		License CERN-OHL	
				File Name oseg_swt_A1_small-water-turbiner	
				Version 1.0	
				Quantity 1	
				Scale 1:8	
				Sheet 2	
				Date 18.01.21	

2

1

4




Proyect Small water turbine		Created by D. Mosquera		Approved by D. Jeager	
Part Name small-water-turbiner		Part Code A2		Document Type ASSEMBLY	
Redesigned by  <small>OPEN SOURCE ECOLOGY GERMANY</small>		Original drawing from Practical ACTION		License CERN-OHL	
		File Name oseg_swt_A2_small-water-turbiner		Version 1.0	
		Scale 1:12		Quantity 1	
				Sheet 3	
				Date 18.01.21	

PART LIST

POS	POS OLD	QTY	PART NAME	FILE NAME	PART TYPE	SPECS	SHT
A1			small water turbine	oseg_swt_A1_small-water-turb iner.iam	Production		1-2
A2			Explosión	oseg_swt_A2_small-water-turb iner.ipn	Production		3
B			Parts-list	oseg_swt_B_parts-list.xls			4-6
C			Technical notes		Tech. notes	General notes	7
1	AF311	1	front adaptor	oseg_swt_front-adaptor.ipt	Production	CAST IRON	8
2	AF312	1	middle section	oseg_swt_left-side-frame.ipt	Production	CAST IRON	9
3	AF313	1	drain chute	oseg_swt_drain-chute.iam	Production	STEEL C45	10-1 1
3.1	AF313A	1	back plate	oseg_swt_back-plate.ipt	Production	STEEL C45	12
3.2	AF313B	1	front flange	oseg_swt_front-flange.ipt	Production	STEEL C45	13
3.3	AF313C	1	curved plate	oseg_swt_curved-plate.ipt	Production	STEEL C45	14
3.4	AF313D	2	side plate	oseg_swt_side-plate.ipt	Production	STEEL C45	15
3.5	AF313E	1	front plate	oseg_swt_front-plate.ipt	Production	STEEL C45	16
4	AF314(1)	1	nose	oseg_swt_nose.ipt	Production	see tech. notes	17
5	AF315A	1	stator blading	oseg_swt_stator-blading.ipt	Production	see tech. notes	18
6	AF316A	1	rotor blading	oseg_swt_rotor-blading.iam	Production		
6.1		1	rotor blading	oseg_swt_rotor-blading.ipt	Production	see tech. notes	19
6.2		1	rotor washer	oseg_swt_rotor-washer.ipt	Production	1,5 mm STEEL SHEET	20
7	AF318A	1	diffuser blanding	oseg_swt_diffuser-blanding.ia m	Production		
7.1		1	diffuser blanding	oseg_swt_diffuser-blanding.ipt	Production	see tech. notes	21
7.2			diffuser washer	oseg_swt_diffuser-washer.ipt	Production	1,5 mm STEEL SHEET	22
8	AF320A	1	bush	oseg_swt_bush.ipt	Production	see tech. notes	23
9	AF321A	1	slotted disk	oseg_swt_slotted-disk.ipt	Production	ALUMINIUM	24
10	AF321B	2	key	oseg_swt_key.ipt	Standard	key 6 x 6 x 36.0, HARD STEEL	
B			Transmission (hub assembly)	oseg_swt_hub-assembly.iam	Production		25
11.1	AF322	1	shaft	oseg_swt_shaft.iam	Production	STAINLESS STEEL	26
11.2	AF323A	1	hub housing	oseg_swt_hub-housing.ipt	Production	CAST STEEL	27
11.3	AF323B	1	front cap	oseg_swt_front-cap.ipt	Standard	1,5 mm STEEL SHEET	
11.4	AF323C	1	ball bearing	oseg_swt_ball-bearing.ipt	Standard	bearing 206-SX adater and nut G-Y or equivalent part	


A

A

Proyect Small water turbine		Created by D. Mosquera		Approved by D. Jeager	
Part Name small-water-turbiner		Part Code B		Document Type part-list	
Redesigned by  <small>OPEN SOURCE ECOLOGY GERMANY</small>		Original drawing from Practical ACTION		License CERN-OHL	
		File Name oseg_swt_A2_small-water-turbiner		Version 1.1	
		Scale		Quantity 1	
				Sheet 4	
				Date 03.03.21	

PART LIST

POS	POS OLD	QTY	PART NAME	FILE NAME	PART TYPE	SPECS	SHT
11.5	AF323D	1	seal	oseg_swt_seal.ipt	Standard	GARLOCK 78*0542	
11.6	AF324	1	big sprocket	oseg_swt_big-sprocket.ipt	Standard	brownign 40P60 - 1/2" pich - 60 teeth - Dia.: 9.55"	
11.7	AF325	1	small sprocket	oseg_swt_samll-sprocket.ipt	Standard	brownign N° 4024 - 1/2" pich - 24 teeth - Dia.: 3.83"	
11.8	AF326	1	chain	oseg_swt_chain.ipt	Standard	brownign N° 40 - 1/2" pich N° 40	
11.9	AF323	3	bolt 3/16" x 32 x 5/16"		Standard		
12	AF327	1	frame	oseg_swt_frame.iam	Production		28-2 9
12.1	AF327A	4	side angles	oseg_swt_side-angles.ipt	Production	STEEL A36	30
12.2	AF327B	2	top angle	oseg_swt_top-angle.ipt	Production	STEEL A36	31
12.3	AF327C	1	top plate	oseg_swt_top-plate.ipt	Production	STEEL A36	32
12.4	AF327D	2	bar	oseg_swt_bar.ipt	Production	STEEL A36	33
12.5	AF327E	4	foundation plate	oseg_swt_foundation-plate.ipt	Production	STEEL A36	34
13	AF328	1	oil bath cover	oseg_swt_oil-bath.iam	Production		35
13.1		1	plate front cover	oseg_swt_plate-front-cover.ipt	Production	2-3 MM STEEL SHEET	36
13.2		1	band side cover	oseg_swt_band-side-cover.ipt	Production	2-3 MM STEEL SHEET	37
13.3		1	plate down cover	oseg_swt_plate-down-cover.ipt	Production	2-3 MM STEEL SHEET	38
13.4		1	brake angle cover	oseg_swt_brake-angle-cover.ipt	Production	STEEL A36	39
13.5		1	brake bar cover	oseg_swt_brake-bar-cover.ipt	Production	2-3 MM STEEL SHEET	40
14	AF329	1	back oil bath cover	oseg_swt_back-oil-bath-cover.iam	Production		41
14.1		1	plate back cover	oseg_swt_bar-for-plate-front.ipt	Production	2-3 MM STEEL SHEET	42
14.2		2	bar for plate front	oseg_swt_plate-back-cover.ipt	Production	2-3 MM STEEL SHEET	43

Proyect Small water turbine		Created by D. Mosquera		Approved by D. Jeager		
Part Name small-water-turbiner		Part Code B		Document type part-list		Material
Redesigned by  OPEN SOURCE ECOLOGY GERMANY		Original drawing from Practical ACTION		License CERN-OHL		File Name oseg_swt_A2_small-water-turbiner
				Version 1.1	Quantity 1	
				Scale	Sheet 5	Date 03.03.21

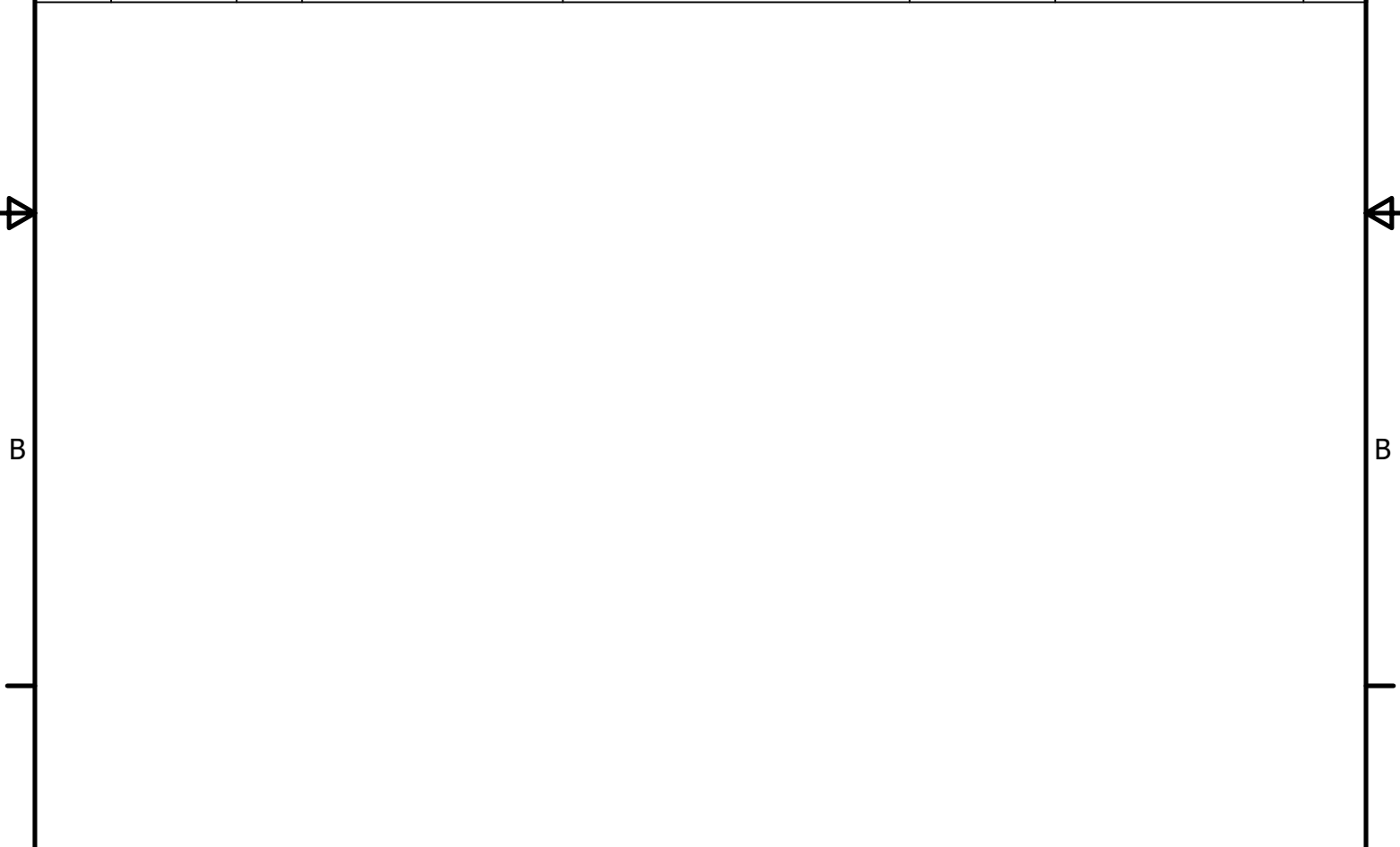
2




1

PART LIST

POS	POS OLD	QTY	PART NAME	FILE NAME	PART TYPE	SPECS	SHT
15	AF330	1	Generator	oseg_swt_generator.ipt	Standard	5 KW; 115-230 V; 21,5 A; 60Hz	
16	AF331A	20	bolt 5/8"x12 - 2 1/2"		Standard		
17	AF331B	20	nut 5/8"x12		Standard		
18	AF331C	20	plain washer 5/8"		Standard		
19	AF332A	4	bolt 1/2"x12 - 1 1/2"		Standard		
20	AF332B	4	nut 1/2"x12		Standard		
21	AF332C	4	plain washer 1/2"		Standard		
22	AF333A	4	bolt 9/16"x12 - 2"		Standard		
23	AF333B	4	nut 9/16"x12		Standard		
24	AF333C	4	plain washer 9/16"		Standard		
25	AF333D	4	lock washer 9/16"		Standard		
26	AF334A	1	bolt 3/8"x16 - 2"		Standard		
27	AF334B	2	wing nut 3/8"x16		Standard		
28	AF334C	1	plain washer 3/8"		Standard		
29	AF334	4	ALIGNMENT-PIN		Standard	HARD STEEL	



Proyect Small water turbine		Created by D. Mosquera		Approved by D. Jeager	
Part Name small-water-turbiner		Part Code B		Document Type part-list	
Redesigned by  OPEN SOURCE ECOLOGY GERMANY		Original drawing from Practical ACTION		License CERN-OHL	
				File Name oseg_swt_A2_small-water-turbiner	
				Version 1.1	
				Quantity 1	
				Scale	
				Sheet 6	
				Date 03.03.21	

2



1

2



1

TECHNICAL NOTES


NOTES	CONTENT
General notes	
Metal structure treatment	<p>Iron structures should be painted to prevent rust and improve equipment life.</p> <ul style="list-style-type: none"> - Remove loose rust with a wire brush, sandpaper or chemical rust remover. - If applicable, sand areas where paint is chipping until surface is smooth. - Remove dust or oil with a degreaser or denatured alcohol. - Prime surface to protect against rust and corrosion.
Foundations fixing	<ul style="list-style-type: none"> - The ground must be stable and have a low water table. - The structure must be fixed on firm concrete soil or on poured footings with steel reinforcement. - The anchorage can be bolted with expansive ramplugs or welded.
Manufacture of special internal parts	<ul style="list-style-type: none"> - The internal parts that will have contact with the water, such as impellers, blades and nose, must have smooth and aerodynamic surfaces. - According to the original source, the manufacturing process can be by fiberglass forming or polyester resin casting. - Other materials such as epoxy resins and other processes such as CNC machining and 3D printing are not ruled out.
Tolerances of sliding parts	In cases of sliding parts, use 0.2 mm as tolerance for diametrical dimensions.

B

B

A

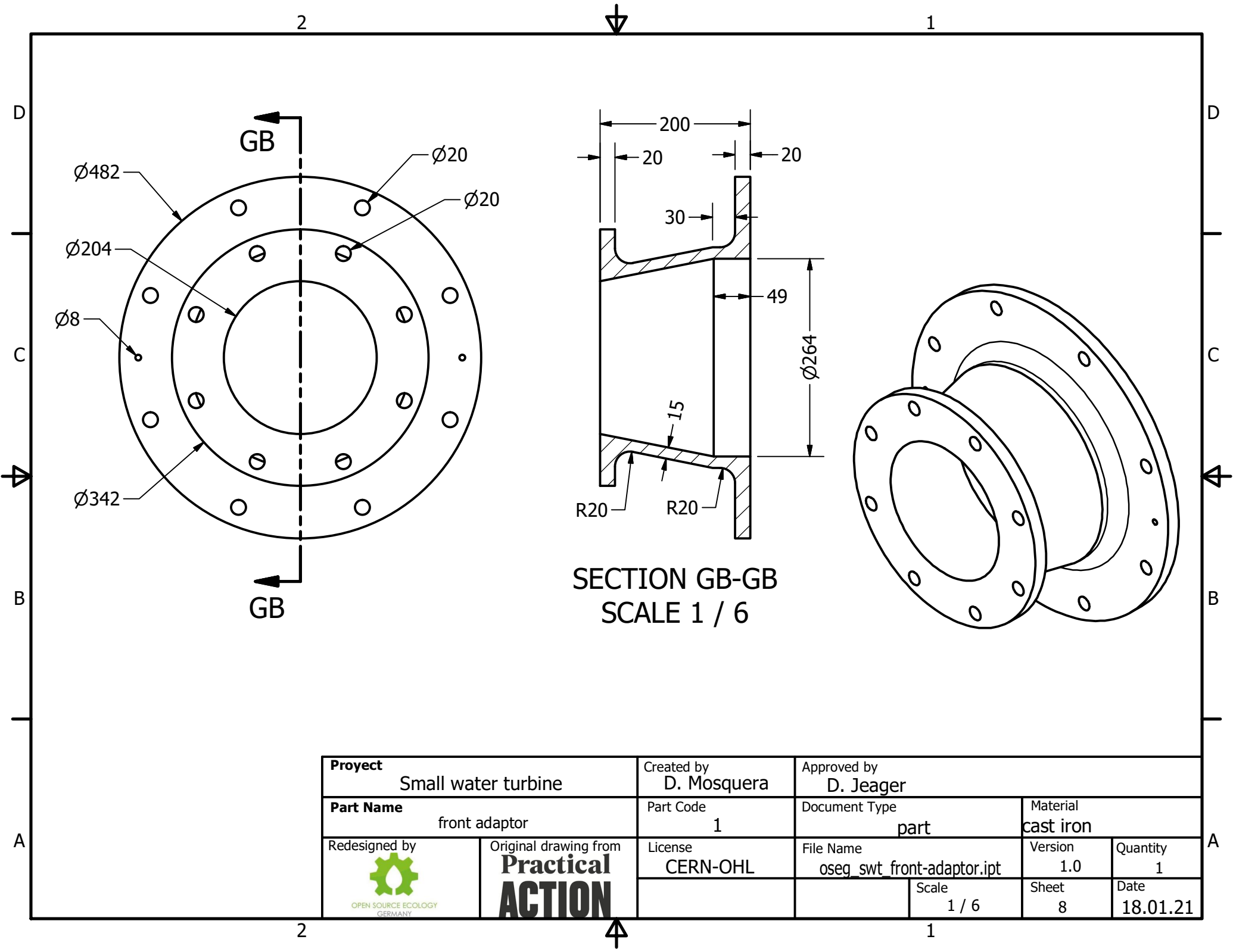
A

Project Small water turbine		Created by D. Mosquera		Approved by D. Jeager	
Part Name General notes		Part Code C		Document Type Technical notes	
Redesigned by  OPEN SOURCE ECOLOGY GERMANY		Original drawing from Practical ACTION		License CERN-OHL	
				File Name	
				Version 1.1	
				Quantity 1	
				Scale	
				Sheet 7	
				Date 06.03.21	


2

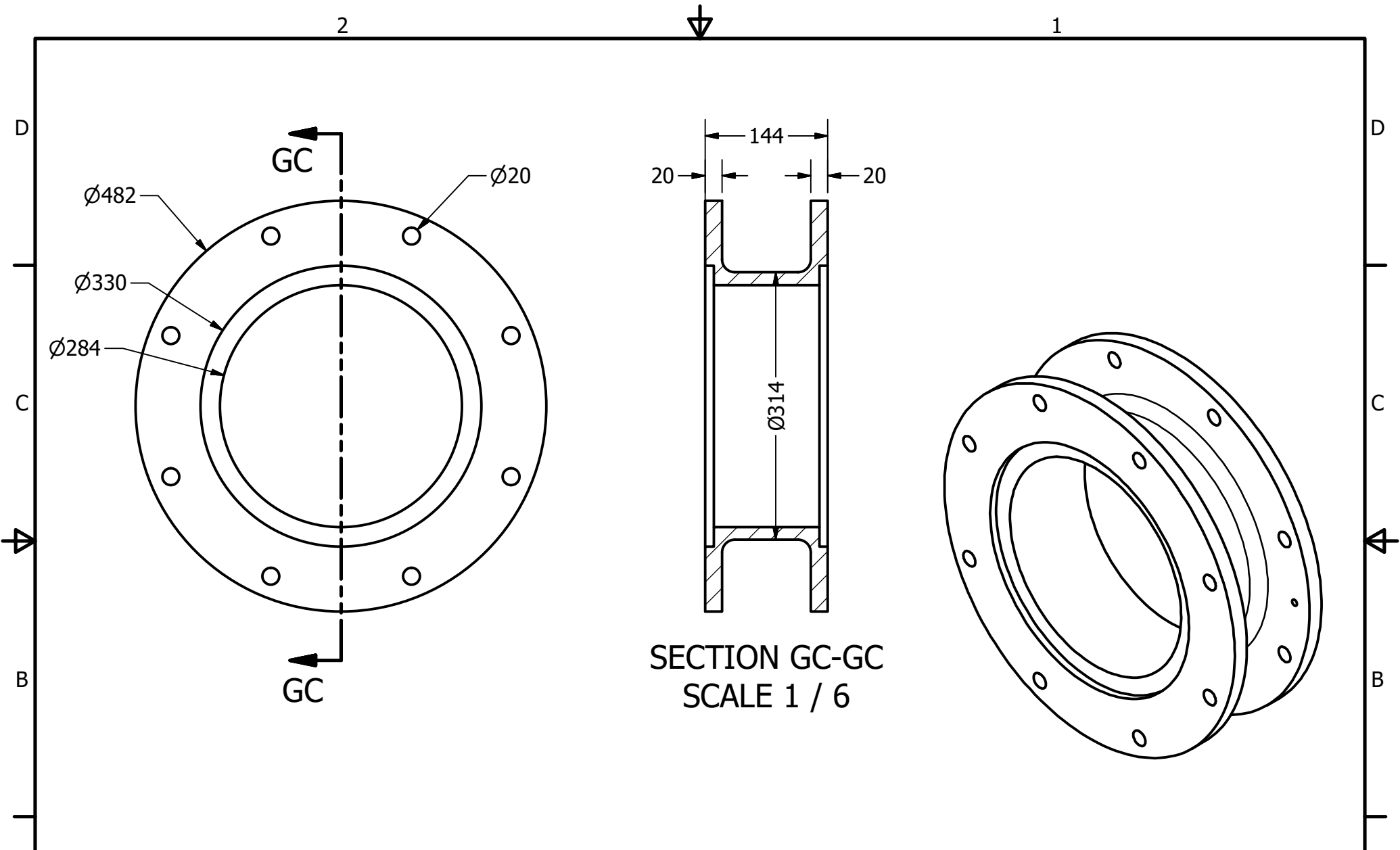


1




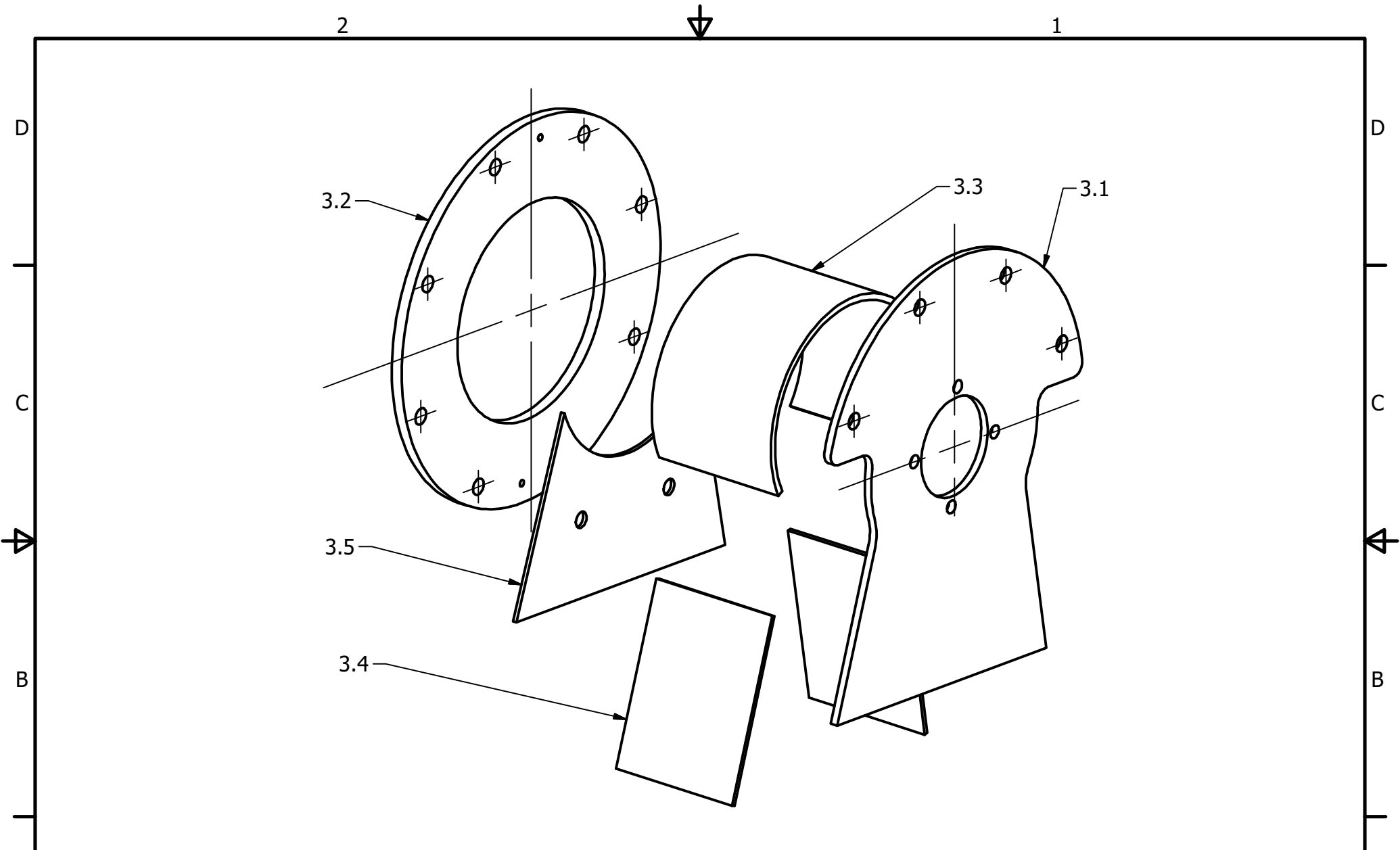
SECTION GB-GB
SCALE 1 / 6


Proyect Small water turbine		Created by D. Mosquera		Approved by D. Jeager		
Part Name front adaptor		Part Code 1		Document Type part		Material cast iron
Redesigned by  OPEN SOURCE ECOLOGY GERMANY	Original drawing from Practical ACTION		License CERN-OHL		File Name oseq_swt_front-adaptor.ipt	
			Scale 1 / 6		Version 1.0	Quantity 1
					Sheet 8	Date 18.01.21

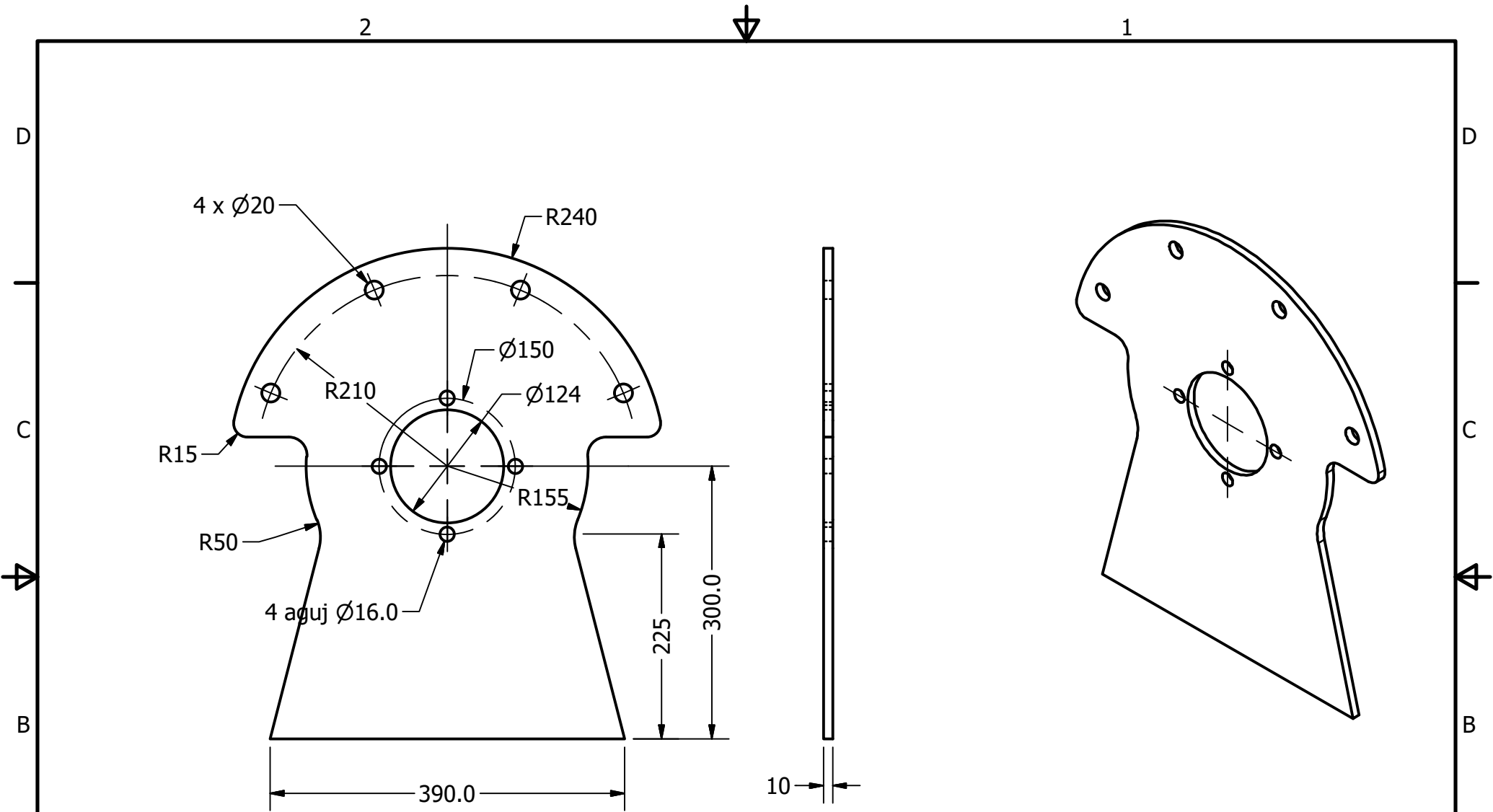



SECTION GC-GC
SCALE 1 / 6

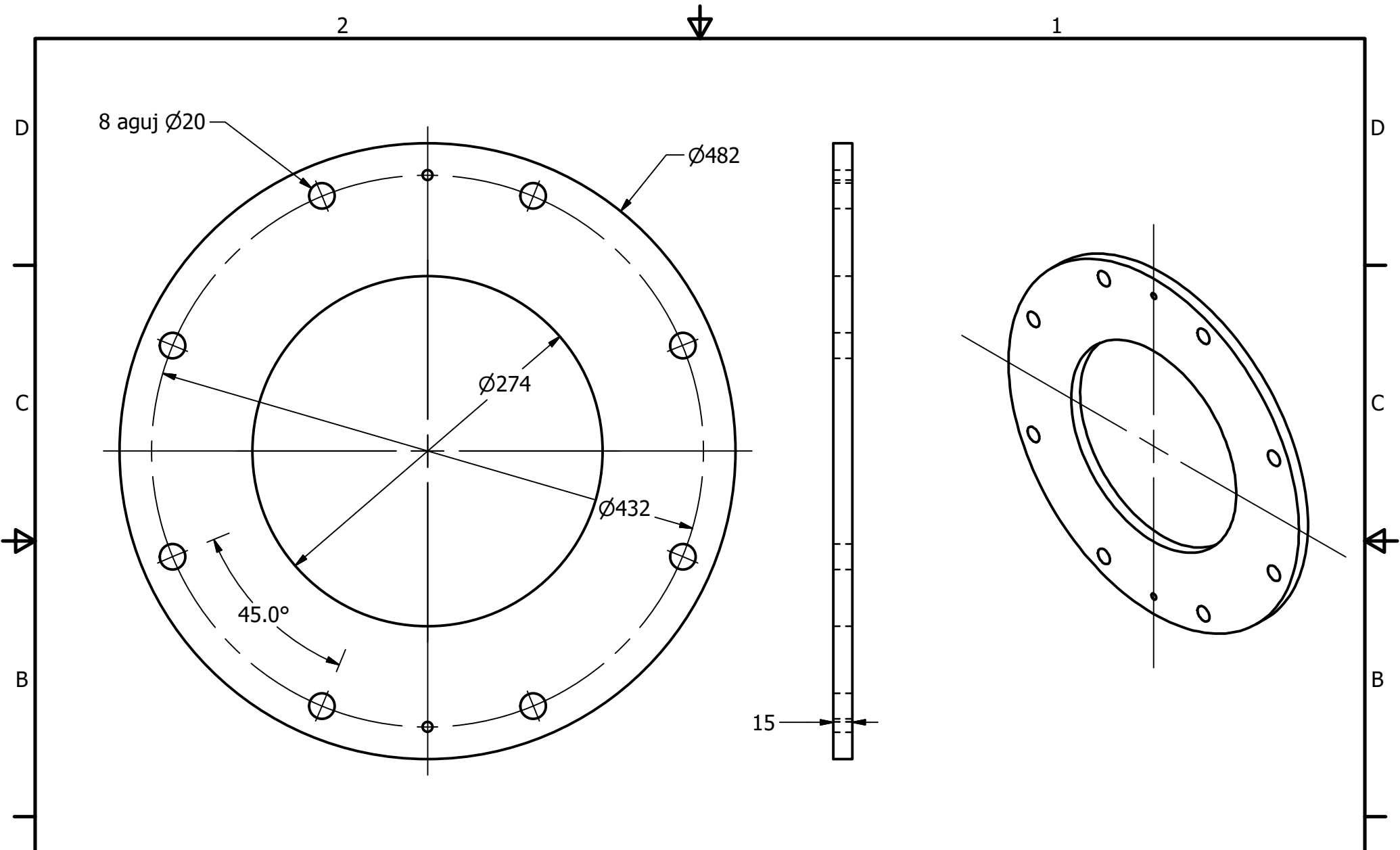
Proyect Small water turbine		Created by D. Mosquera		Approved by D. Jeager	
Part Name middle section		Part Code 2		Document Type part	
Redesigned by  OPEN SOURCE ECOLOGY GERMANY	Original drawing from Practical ACTION		License CERN-OHL		File Name oseg_swt_middle-section.ipt
					Scale 1 / 6
					Sheet 9
					Date 18.01.21




Proyect Small water turbine		Created by D. Mosquera		Approved by D. Jeager	
Part Name drain chute		Part Code 3		Document Type assembly	
Redesigned by  OPEN SOURCE ECOLOGY GERMANY		Original drawing from Practical ACTION		License CERN-OHL	
				File Name oseg_swt_drain-chute.iam	
				Version 1.0	
				Quantity 1	
				Scale	
				Sheet 11	
				Date 18.01.21	



Project Small water turbine		Created by D. Mosquera		Approved by D. Jeager	
Part Name back plate		Part Code 3.1		Document Type part	
Redesigned by  OPEN SOURCE ECOLOGY GERMANY		Original drawing from Practical ACTION		License CERN-OHL	
		File Name oseg_swt_back-plate.ipt		Version 1.0	
		Scale 1 / 6		Quantity 1	
				Date 18.01.21	
				Sheet 12	



Proyect Small water turbine		Created by D. Mosquera		Approved by D. Jeager		
Part Name front flange		Part Code 3.2		Document Type part		Material steel C45
Redesigned by  OPEN SOURCE ECOLOGY GERMANY	Original drawing from Practical ACTION		License CERN-OHL		File Name oseg_swt_front-flange.ipt	
			Scale 1 / 4		Version 1.0	Quantity 1
					Sheet 13	Date 18.01.21

D

D

C

C

B

B

A

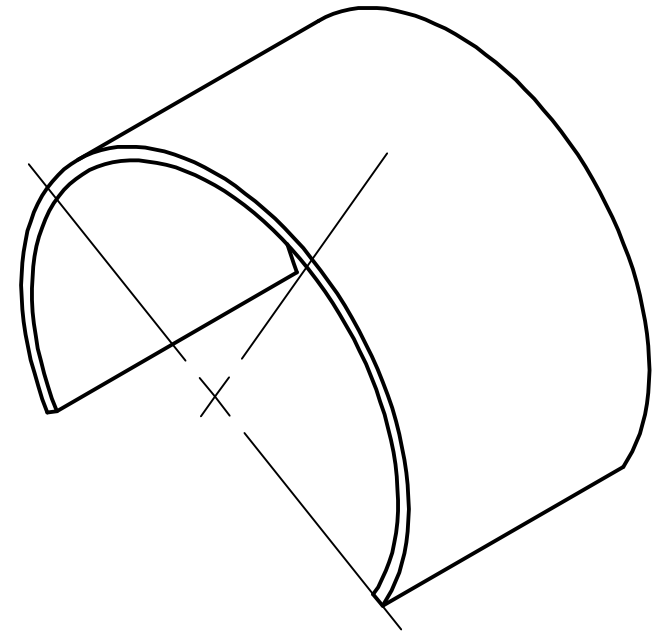
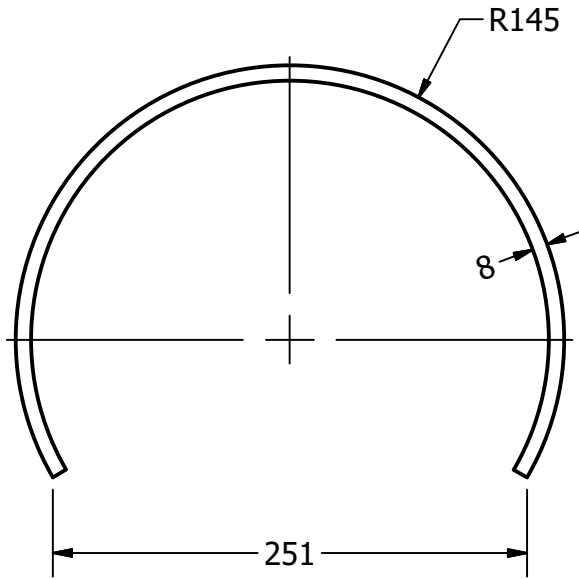
A


2

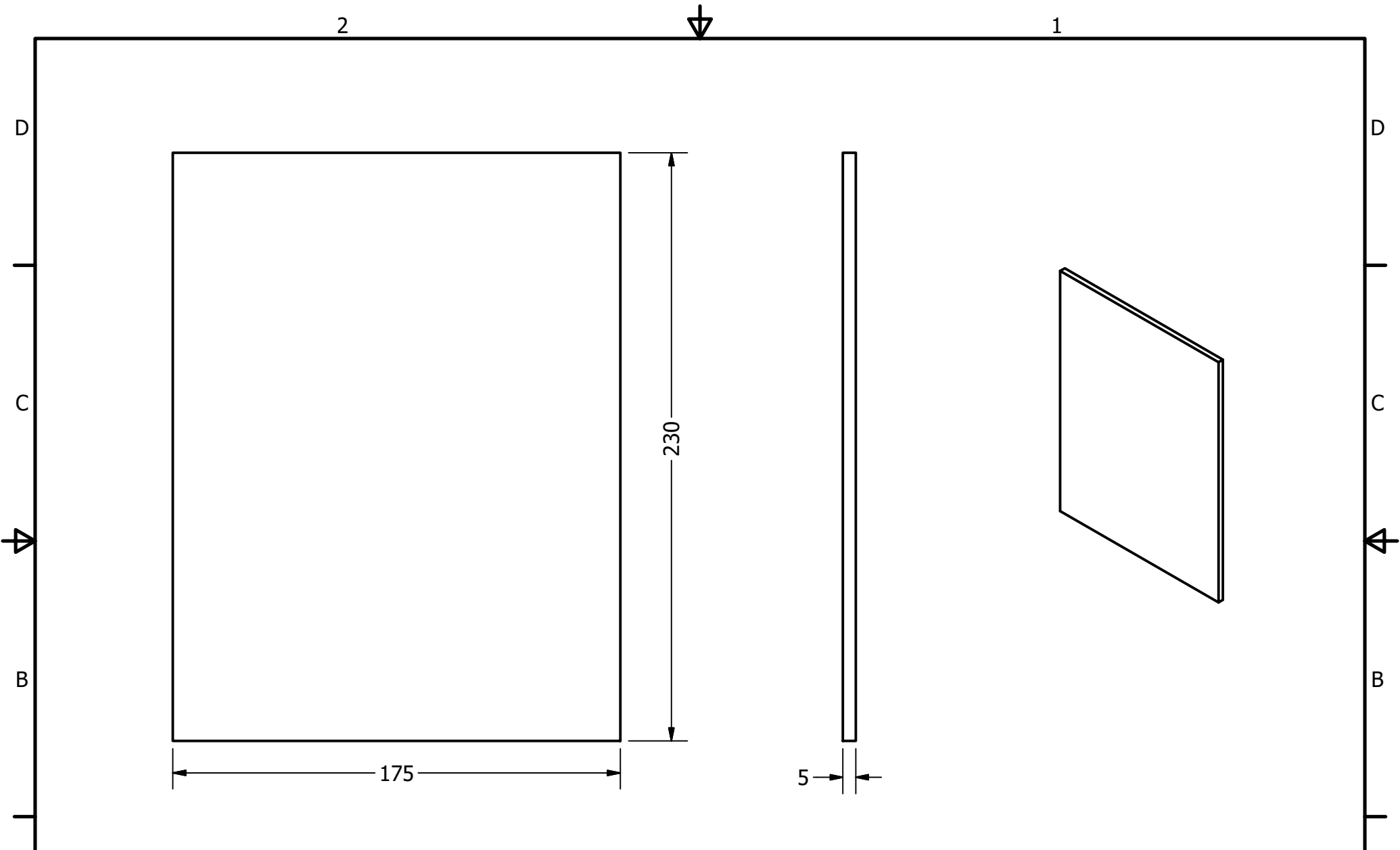
1


2

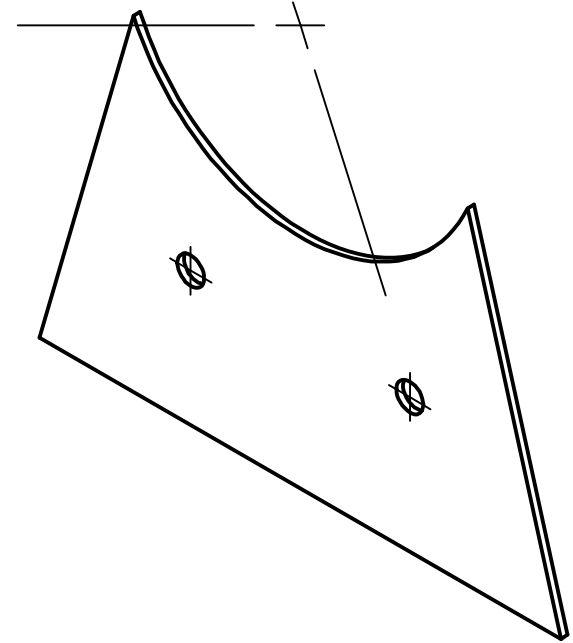
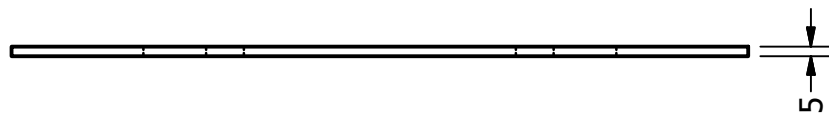
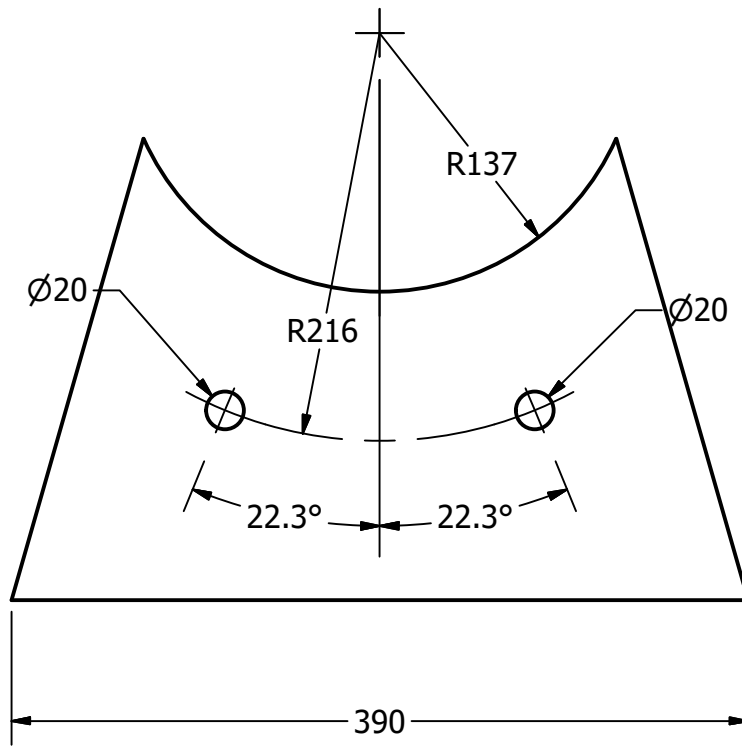
1




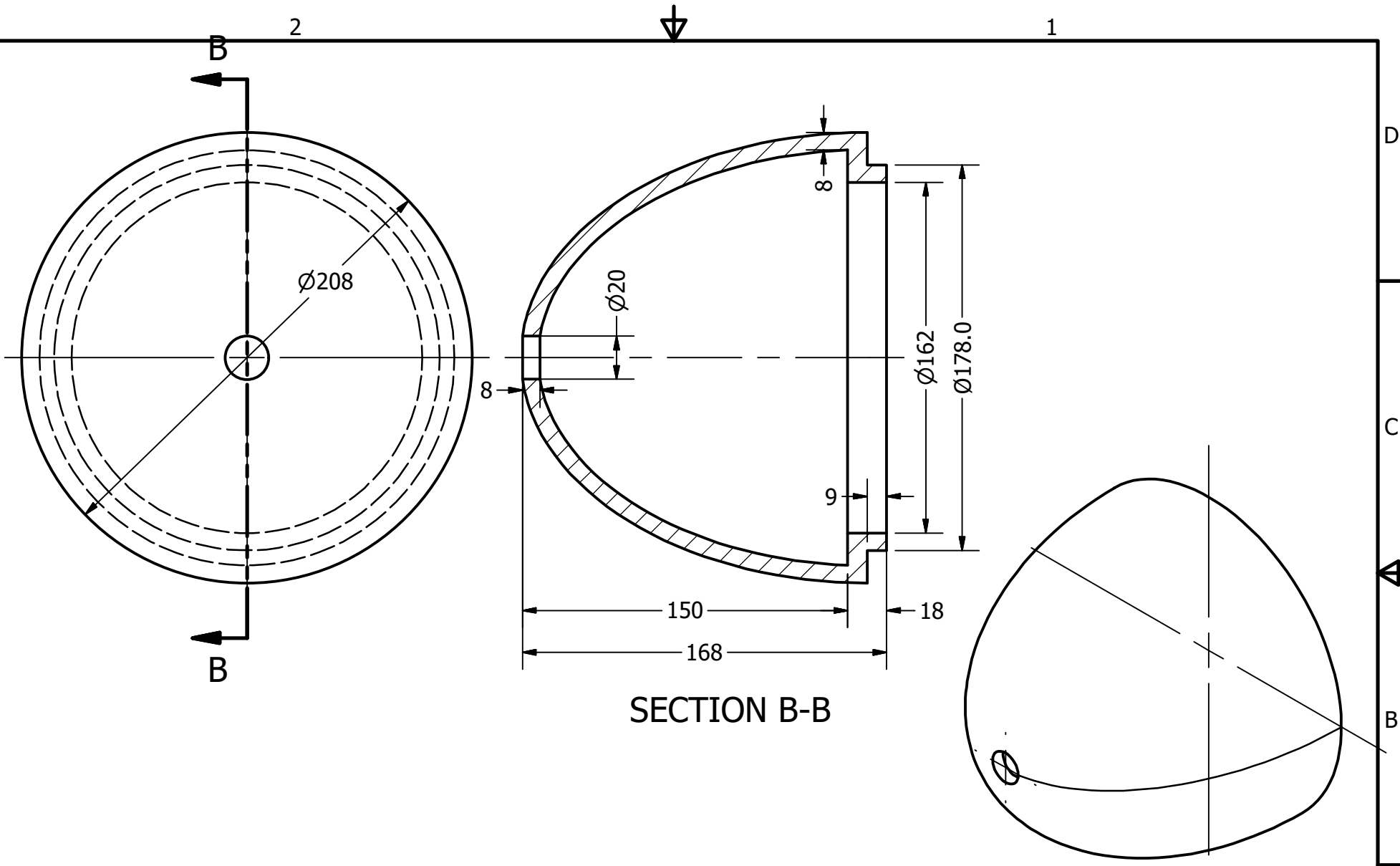
Proyect Small water turbine		Created by D. Mosquera		Approved by D. Jeager		
Part Name front flange		Part Code 3.3		Document Type part		Material steel C45
Redesigned by  OPEN SOURCE ECOLOGY GERMANY	Original drawing from Practical ACTION		License CERN-OHL		File Name oseg_swt_curve-plate.ipt	
			Scale 1 / 4		Version 1.0	Quantity 1
					Sheet 14	




Proyect Small water turbine		Created by D. Mosquera		Approved by D. Jeager		
Part Name side plate		Part Code 3.4		Document Type part		Material steel C45
Redesigned by  OPEN SOURCE ECOLOGY GERMANY	Original drawing from Practical ACTION		License CERN-OHL		File Name oseg_swt_side-plate.ipt	
			Scale 1 / 2		Version 1.0	Quantity 1
					Sheet 15	Date 18.01.21

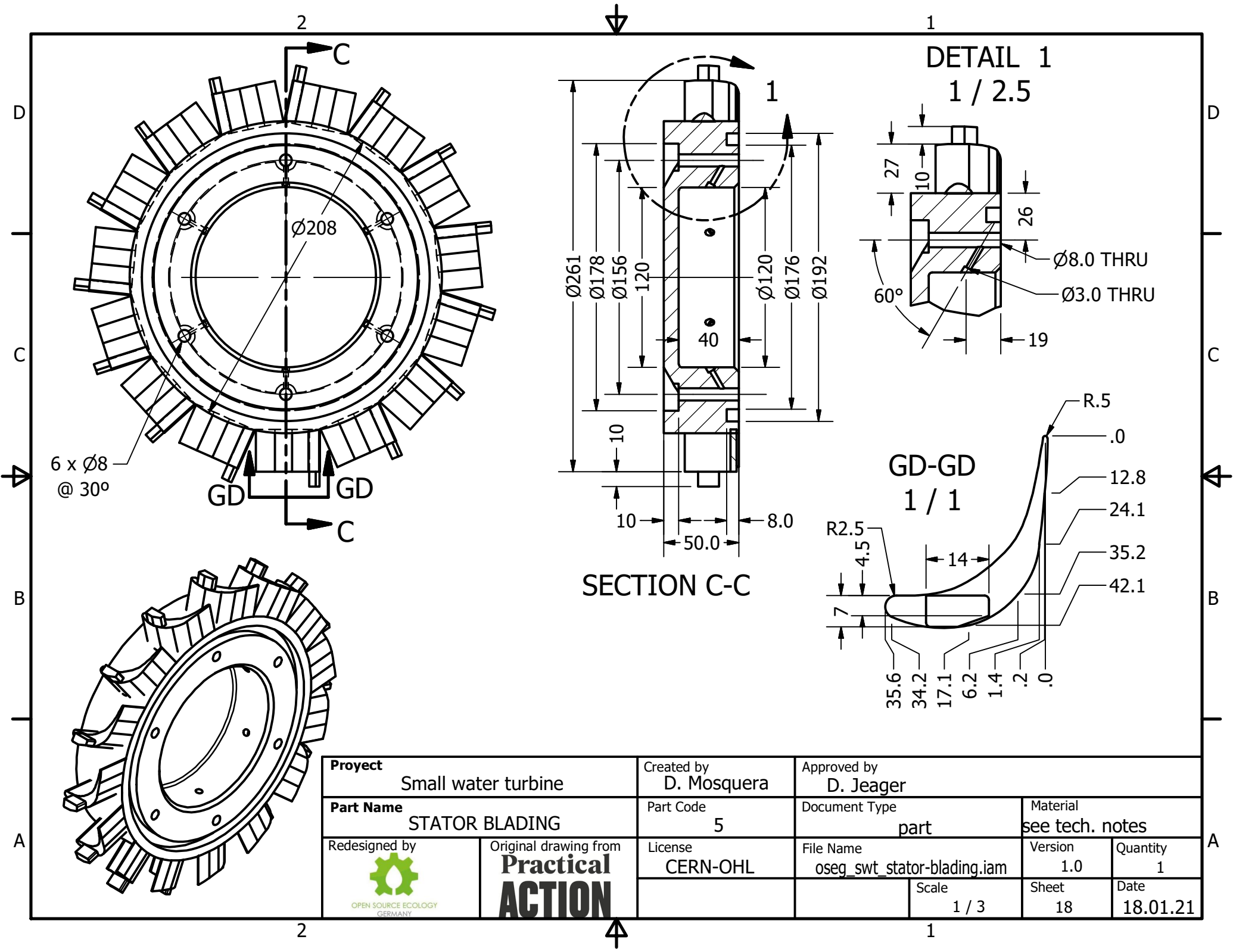



Project Small water turbine		Created by D. Mosquera		Approved by D. Jeager		
Part Name front plate		Part Code 3.5		Document Type part		Material steel C45
Redesigned by  OPEN SOURCE ECOLOGY GERMANY	Original drawing from Practical ACTION		License CERN-OHL		File Name oseg_swt_front-plate.ipt	
			Scale 1 / 4		Version 1.0	Quantity 1
					Sheet 16	Date 18.01.21

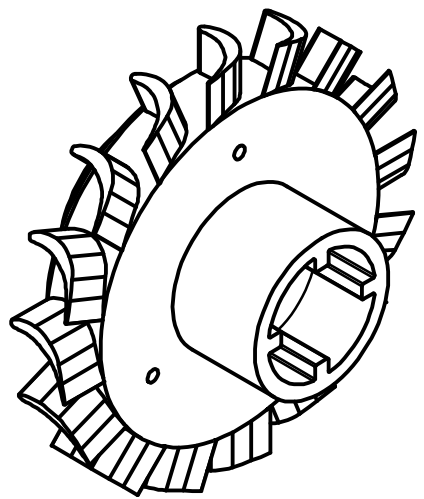
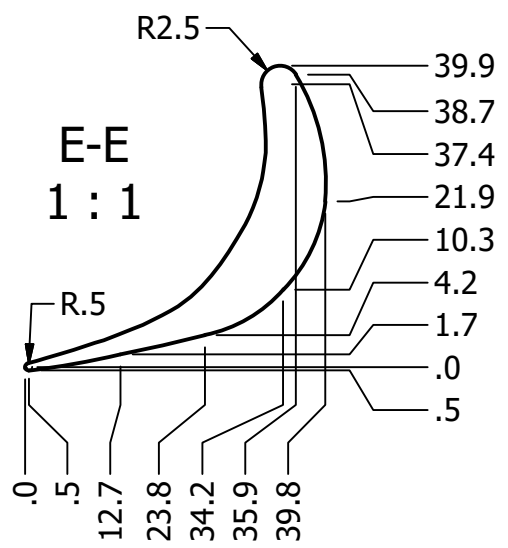
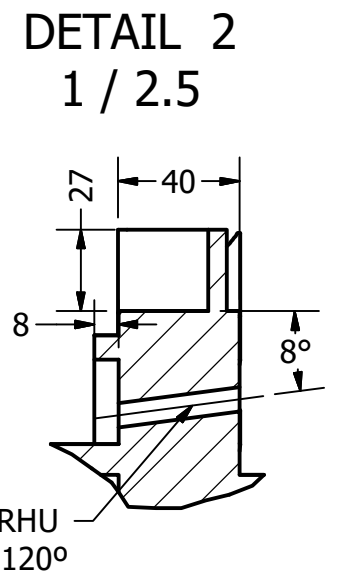
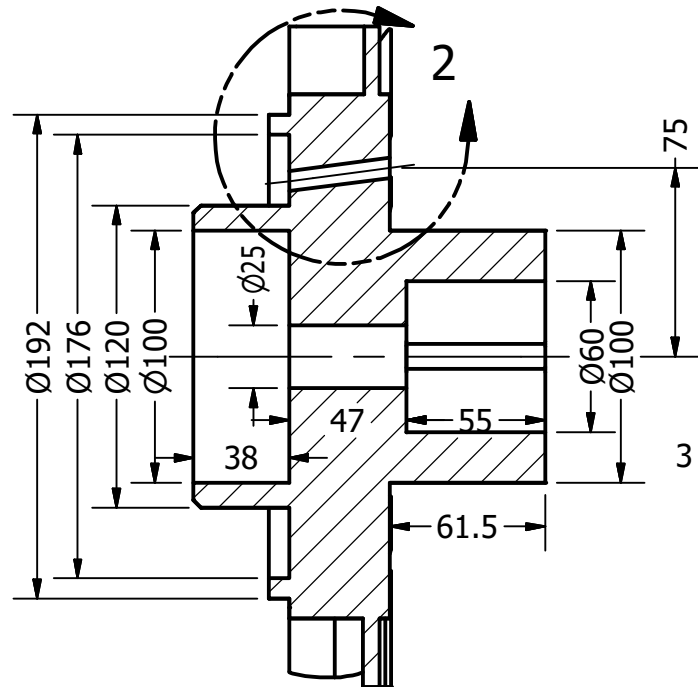
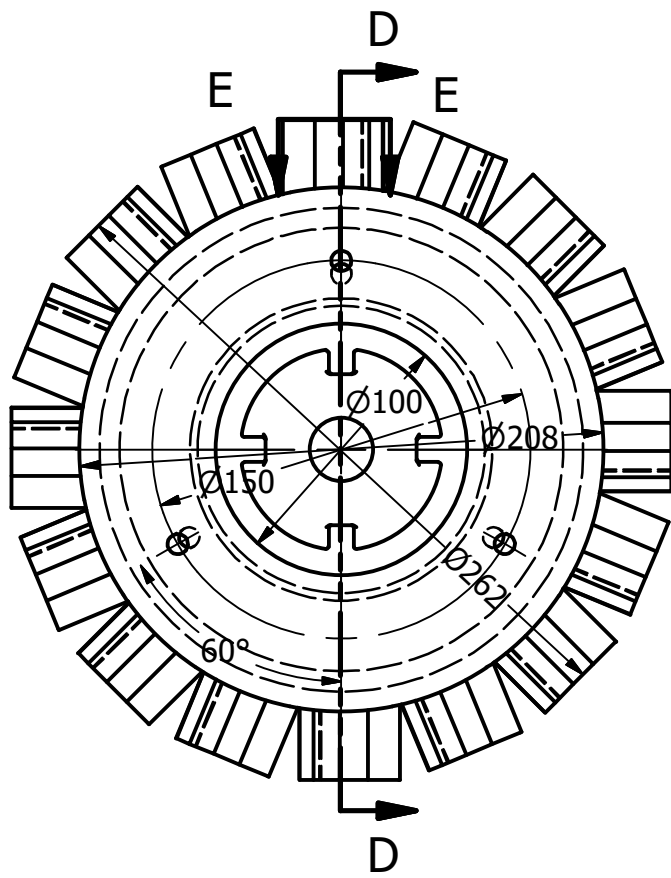



SECTION B-B

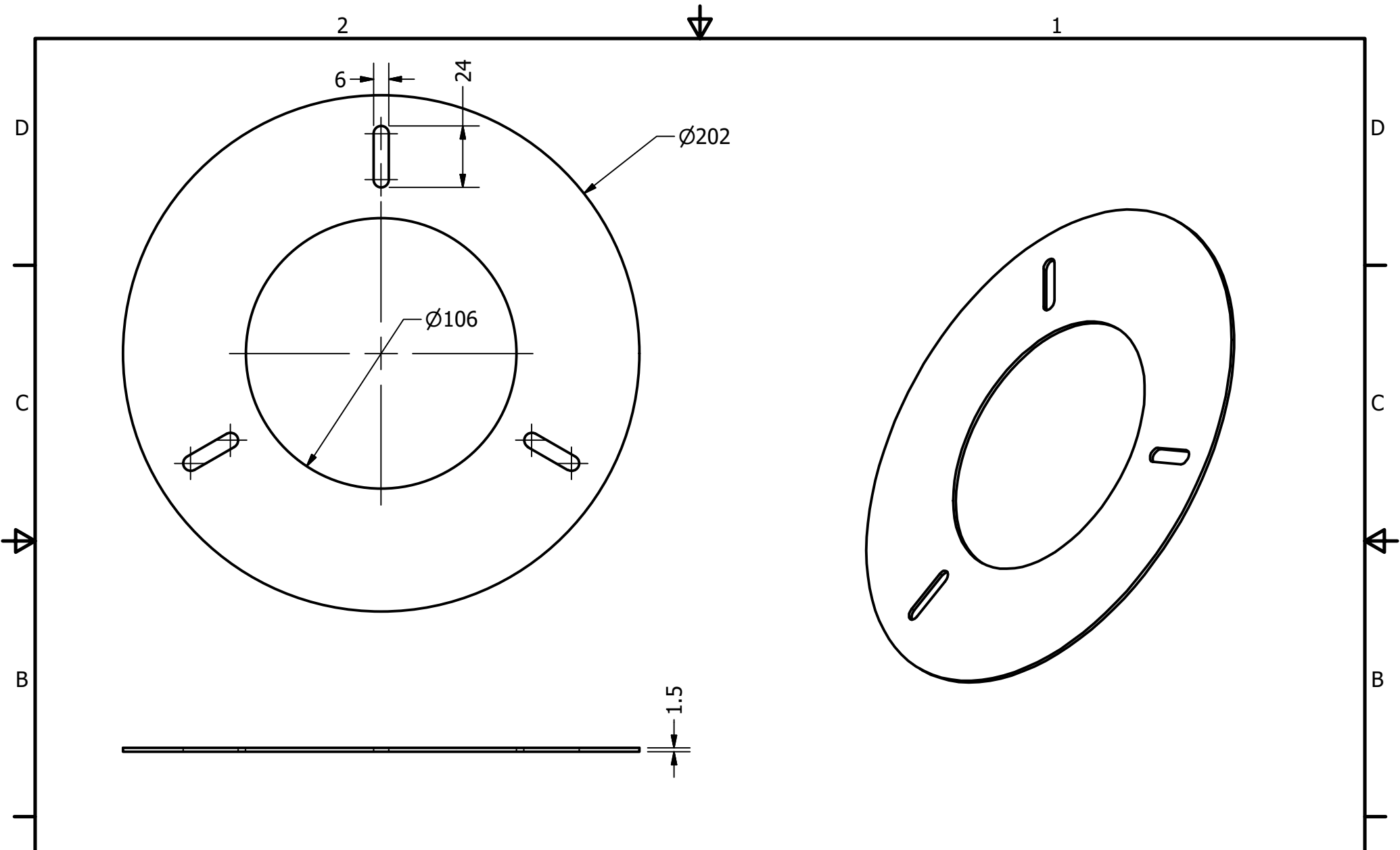
Proyect Small water turbine		Created by D. Mosquera		Approved by D. Jeager	
Part Name NOSE		Part Code 4		Document Type part	
Redesigned by  OPEN SOURCE ECOLOGY GERMANY		Original drawing from Practical ACTION		License CERN-OHL	
				File Name oseg_swt_nose.ipt	
				Version 1.0	
				Quantity 1	
				Scale 1 / 2.5	
				Sheet 17	
				Date 18.01.21	




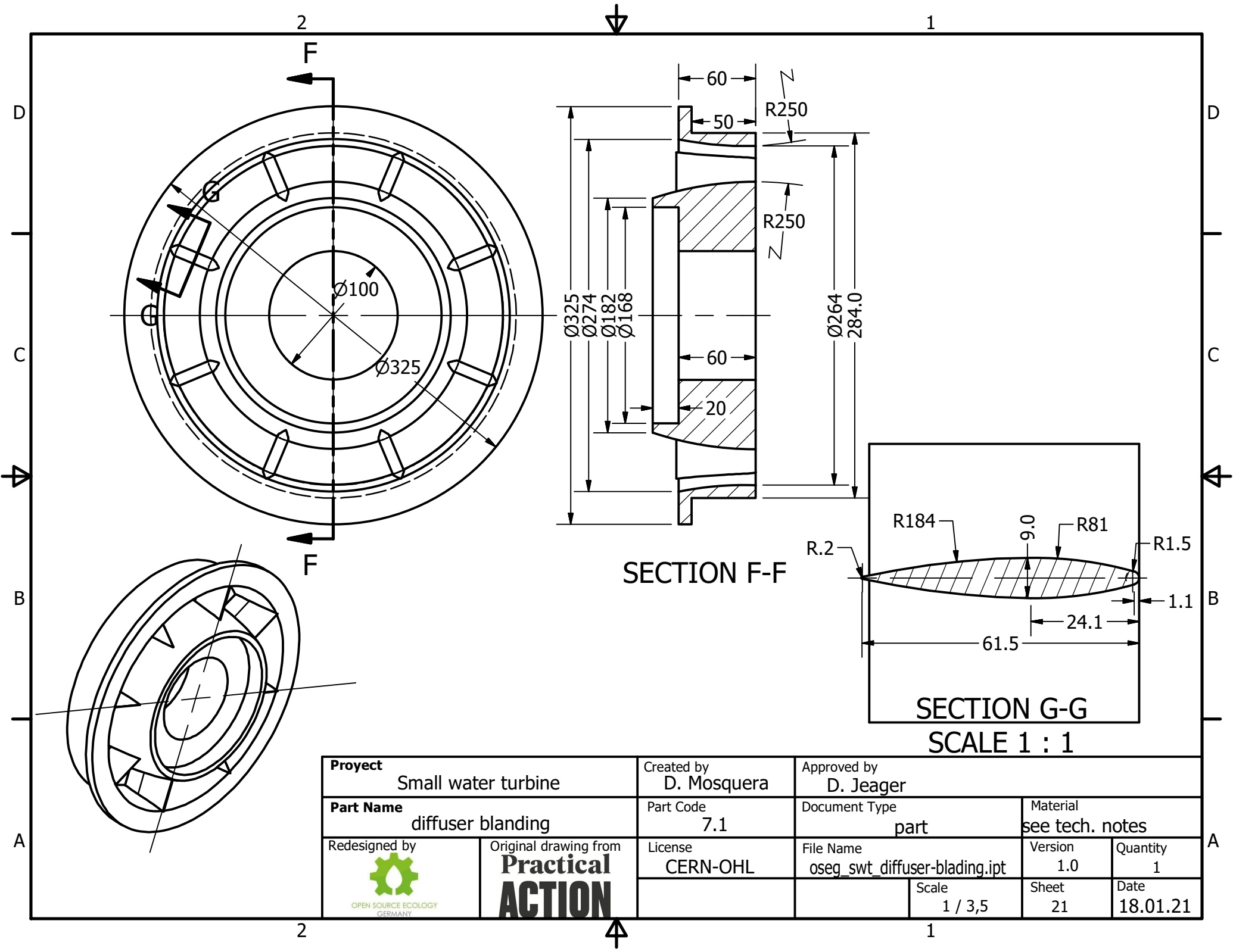
Project Small water turbine		Created by D. Mosquera		Approved by D. Jeager	
Part Name STATOR BLADING		Part Code 5		Document Type part	
Redesigned by  OPEN SOURCE ECOLOGY GERMANY		Original drawing from Practical ACTION		Material see tech. notes	
License CERN-OHL		File Name oseg_swt_stator-blading.iam		Version 1.0	
		Scale 1 / 3		Quantity 1	
				Date 18.01.21	



Project Small water turbine		Created by D. Mosquera		Approved by D. Jeager	
Part Name ROTOR BLADING		Part Code 6.1		Document Type part	
Redesigned by  OPEN SOURCE ECOLOGY GERMANY		Original drawing from Practical ACTION		Material see tech. notes	
License CERN-OHL		File Name oseg_swt_rotor-blading.ipt		Version 1.0	
		Scale 1/3		Quantity 1	
				Date 18.01.21	




Proyect Small water turbine		Created by D. Mosquera		Approved by D. Jeager	
Part Name ROTOR WASHER		Part Code 6.2		Document Type part	
Redesigned by  OPEN SOURCE ECOLOGY GERMANY		Original drawing from Practical ACTION		License CERN-OHL	
		File Name oseg_swt_rotor-washer.ipt		Material 1,5 mm STEEL SHEET	
		Scale 1 / 2		Version 1.0	
				Quantity 1	
				Sheet 20	
				Date 06.03.21	

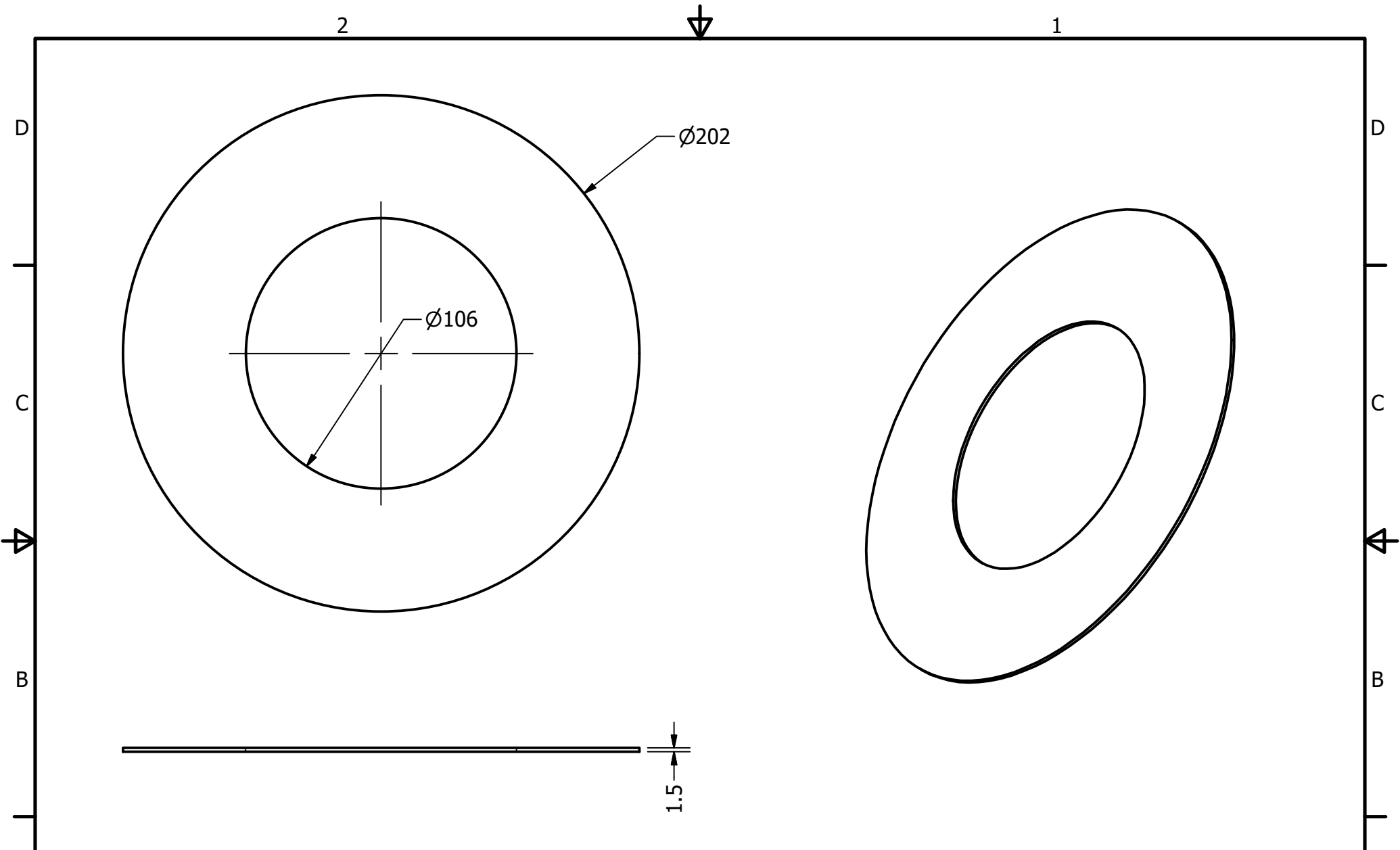



SECTION F-F

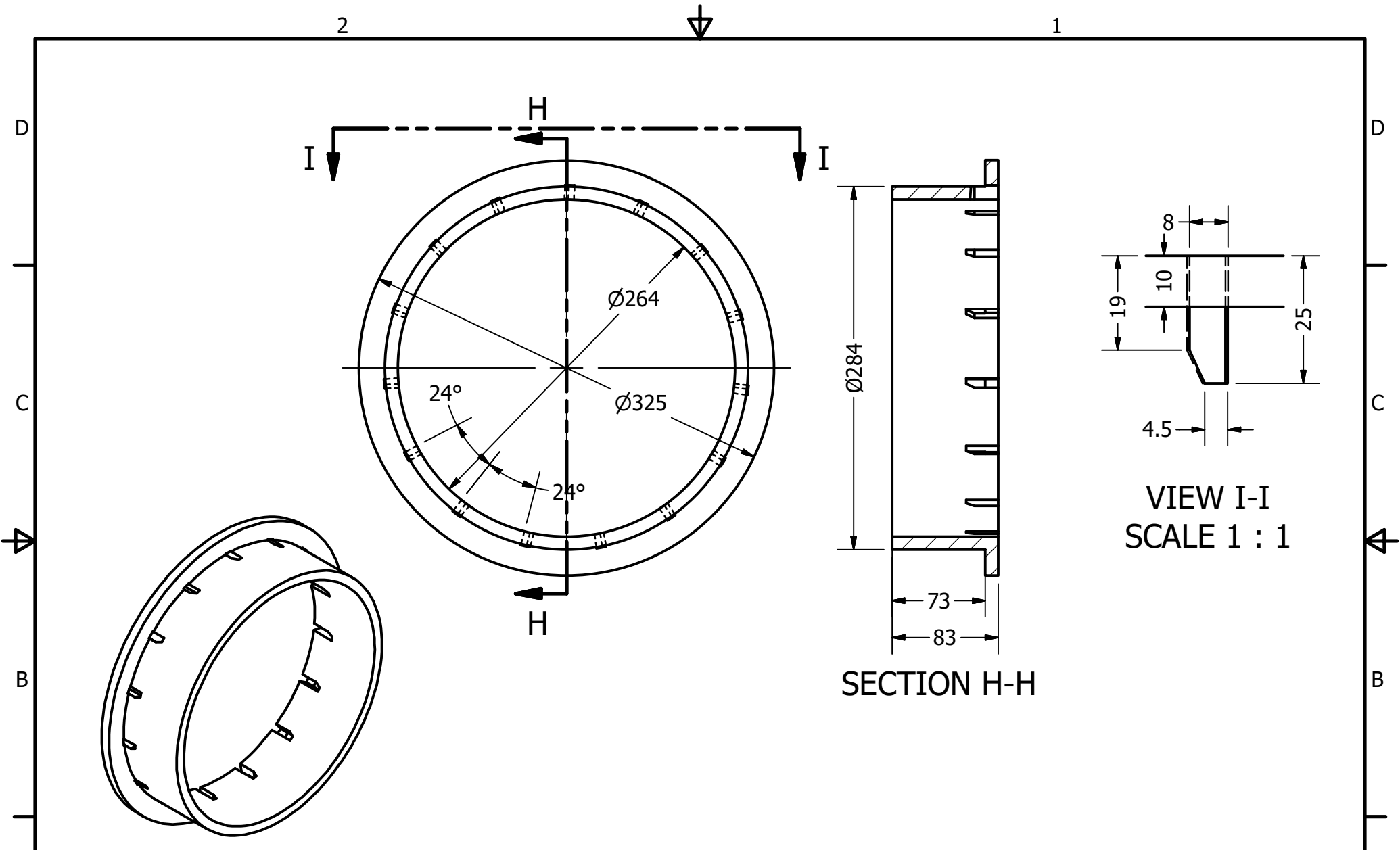
SECTION G-G

SCALE 1 : 1

Project Small water turbine		Created by D. Mosquera		Approved by D. Jeager	
Part Name diffuser blanding		Part Code 7.1		Document Type part	
Redesigned by  OPEN SOURCE ECOLOGY GERMANY		Original drawing from Practical ACTION		Material see tech. notes	
License CERN-OHL		File Name oseg_swt_diffuser-blanding.ipt		Version 1.0	
		Scale 1 / 3,5		Quantity 1	
				Date 18.01.21	




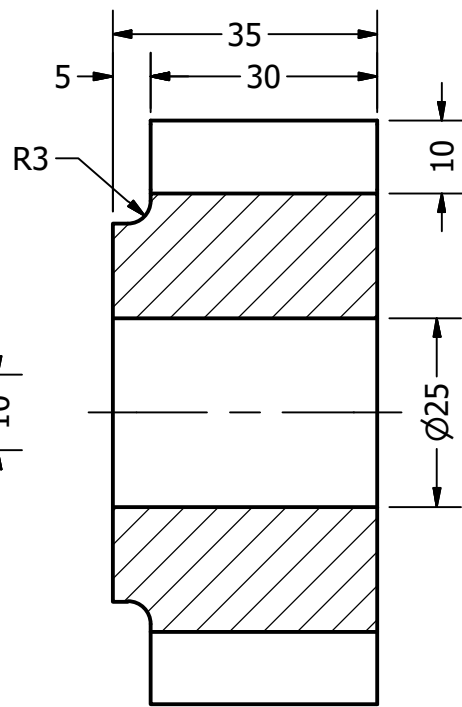
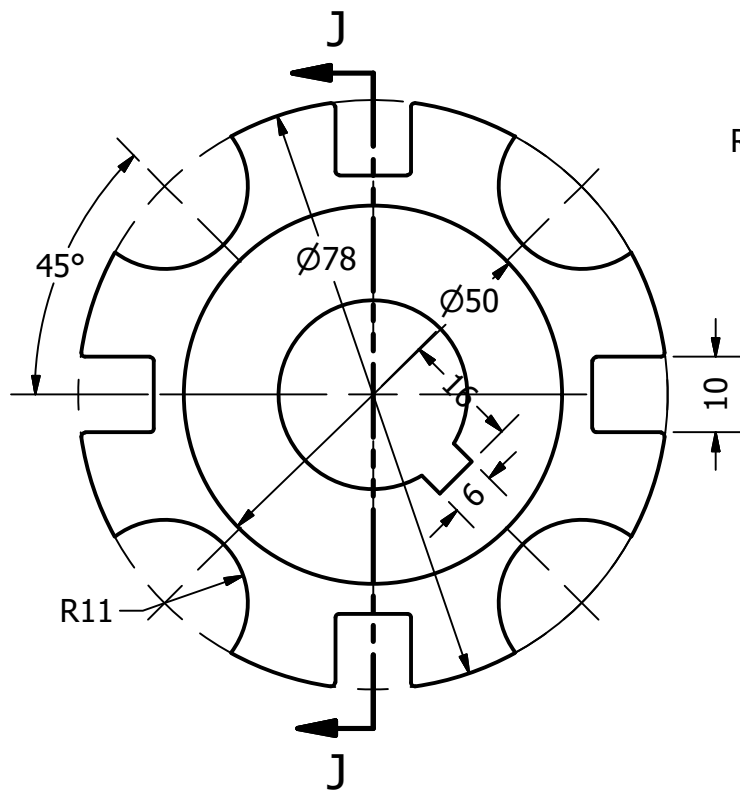
Proyect Small water turbine		Created by D. Mosquera	Approved by D. Jeager		
Part Name DIFFUSER WASHER		Part Code 7.2	Document Type part	Material 1,5 mm STEEL SHEET	
Redesigned by  OPEN SOURCE ECOLOGY GERMANY	Original drawing from Practical ACTION	License CERN-OHL	File Name oseg_swt_diffuser-washer.ipt	Version 1.0	Quantity 1
			Scale 1 / 2	Sheet 22	Date 06.03.21



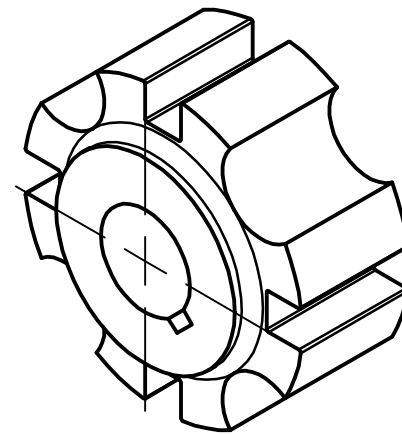
SECTION H-H


VIEW I-I
SCALE 1 : 1

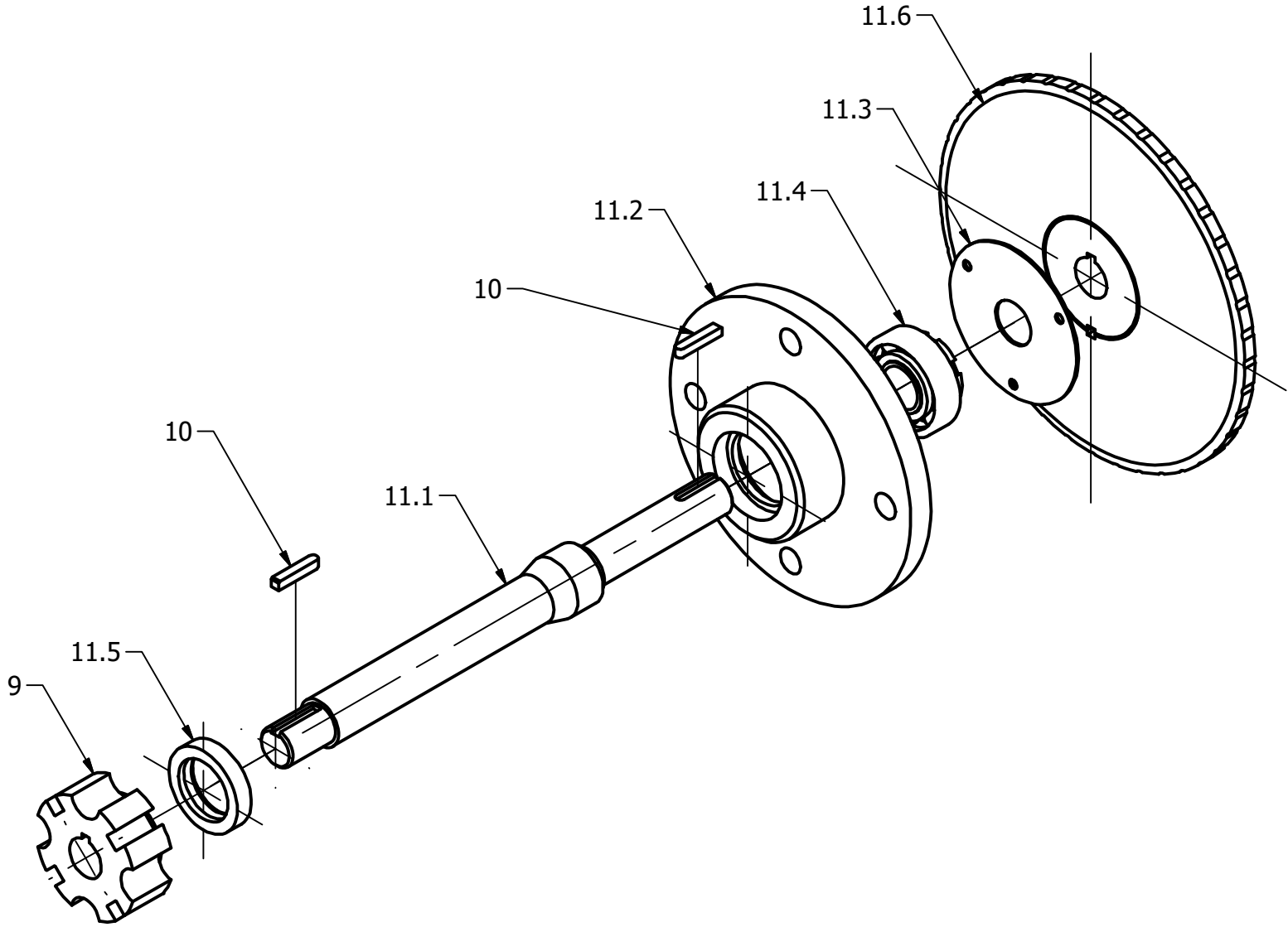
Proyect Small water turbine		Created by D. Mosquera		Approved by D. Jeager	
Part Name bush		Part Code 8	Document Type part		Material see tech. notes
Redesigned by  OPEN SOURCE ECOLOGY GERMANY	Original drawing from Practical ACTION	License CERN-OHL	File Name oseq_swt_bush.ipt		Version 1.0
			Scale 1 / 4	Sheet 23	Quantity 1
				Date 18.01.21	




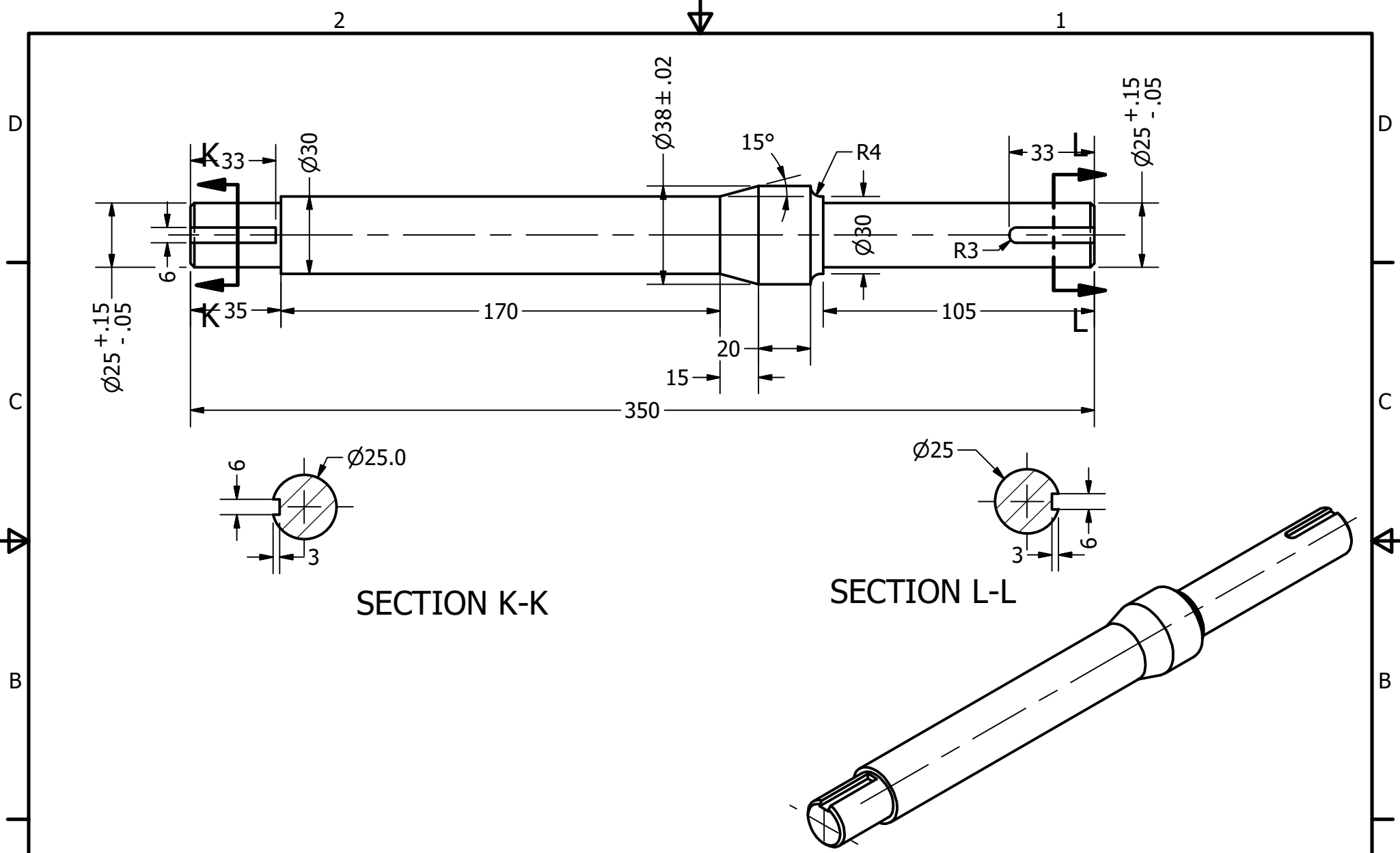
SECTION J-J




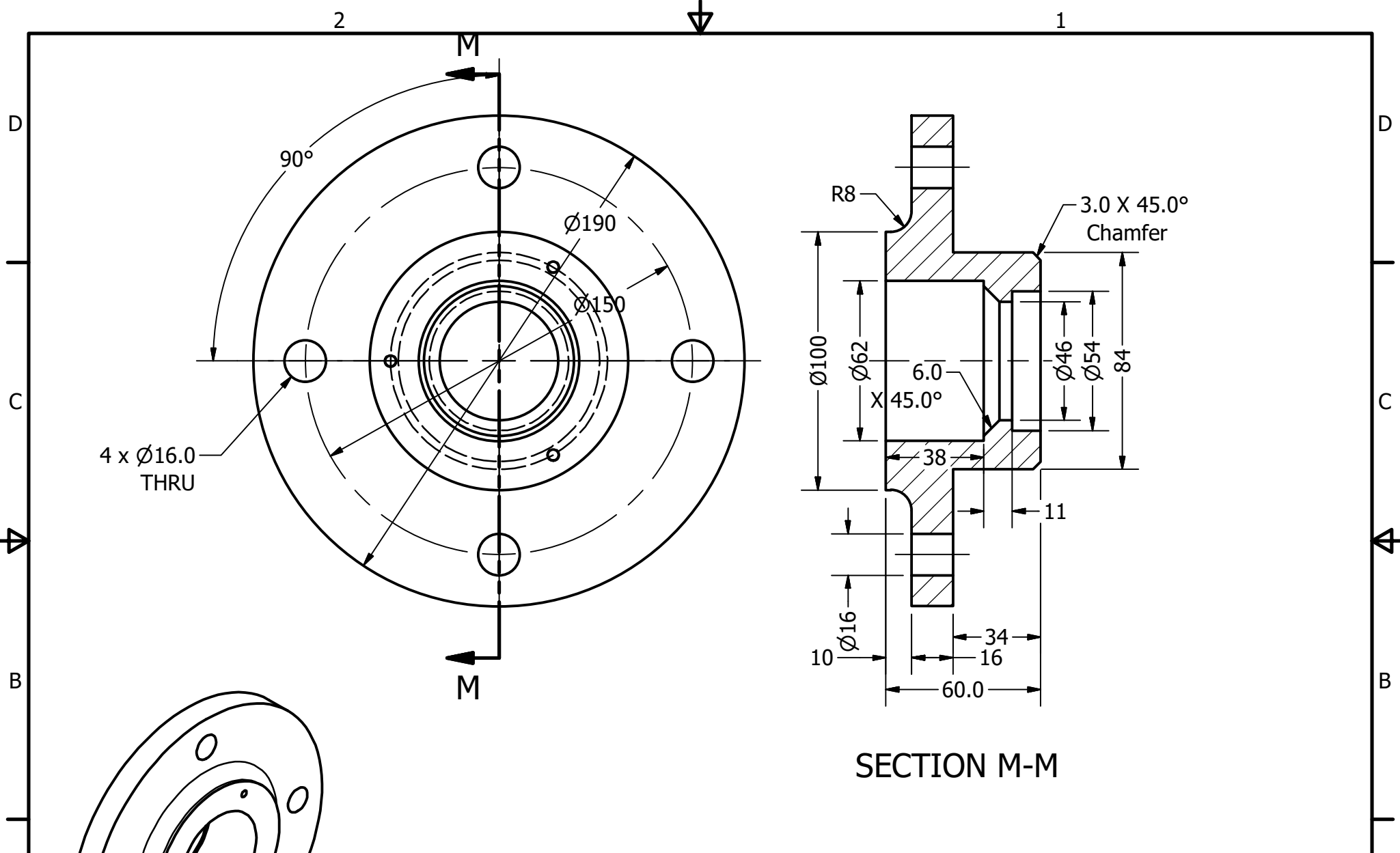
Proyect Small water turbine		Created by D. Mosquera		Approved by D. Jeager	
Part Name slotter disk		Part Code 9	Document Type part		Material ALUMINIUM
Redesigned by  OPEN SOURCE ECOLOGY GERMANY	Original drawing from Practical ACTION	License CERN-OHL	File Name oseg_swt_slotted-disk.ipt	Version 1.0	Quantity 1
			Scale 1 : 1	Sheet 24	Date 18.01.21



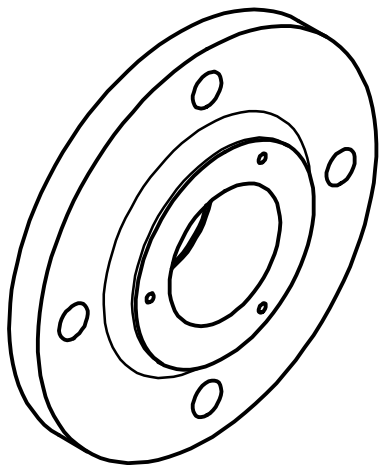
Proyect Small water turbine		Created by D. Mosquera		Approved by D. Jeager	
Part Name hub assembly		Part Code 11	Document Type part		Material
Redesigned by  OPEN SOURCE ECOLOGY GERMANY	Original drawing from Practical ACTION	License CERN-OHL	File Name oseg_swt_hub-assembly.iam	Version 1.0	Quantity 1
			Scale	Sheet 25	Date 18.01.21




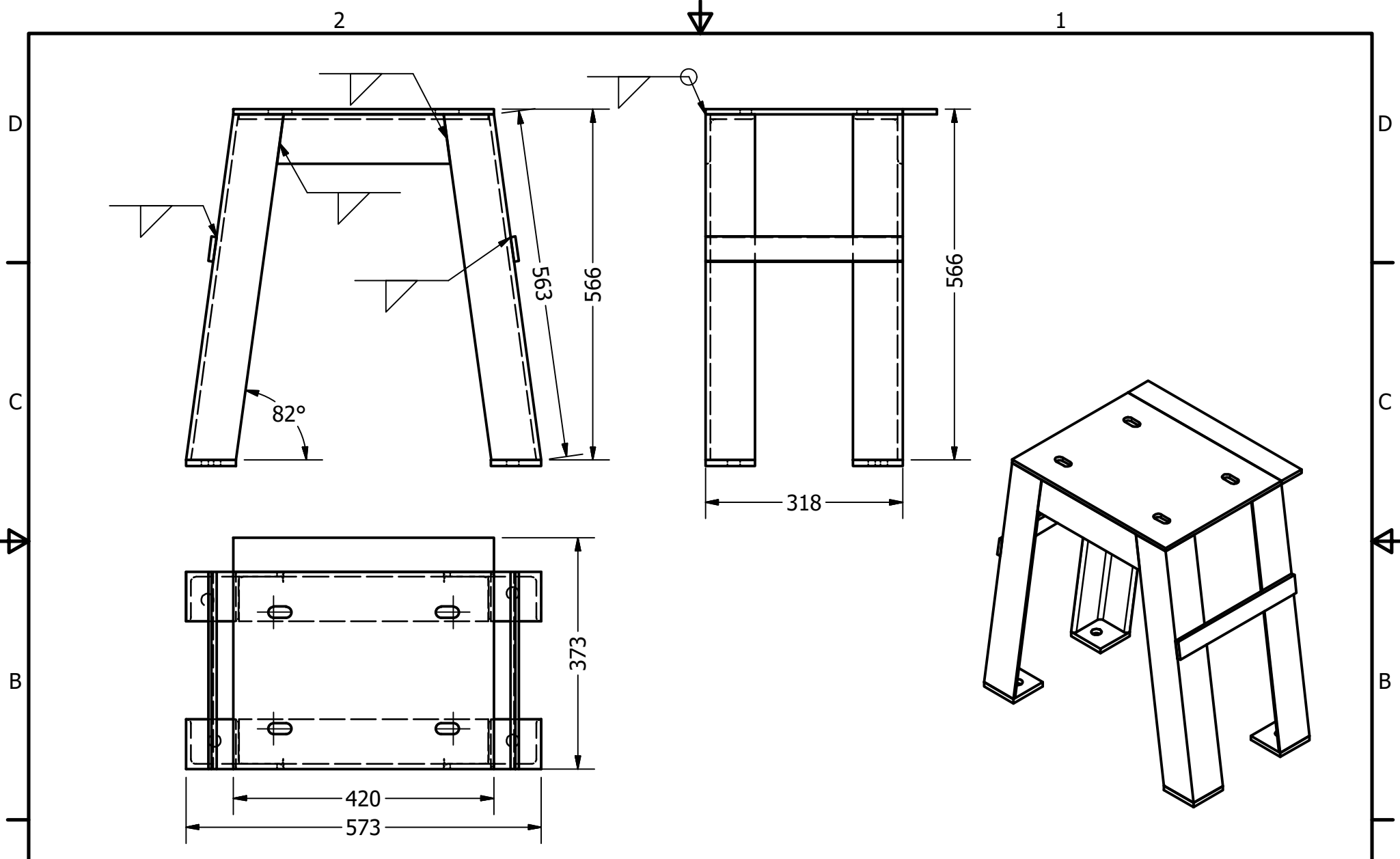
Proyect Small water turbine		Created by D. Mosquera		Approved by D. Jeager	
Part Name shaft		Part Code 11.1		Document Type part	
Redesigned by  OPEN SOURCE ECOLOGY GERMANY		Original drawing from Practical ACTION		Material STAINLESS STEEL	
License CERN-OHL		File Name oseg_swt_shaft.ipt		Version 1.0	
		Scale 1 / 2		Quantity 1	
				Date 18.01.21	
				Sheet 26	




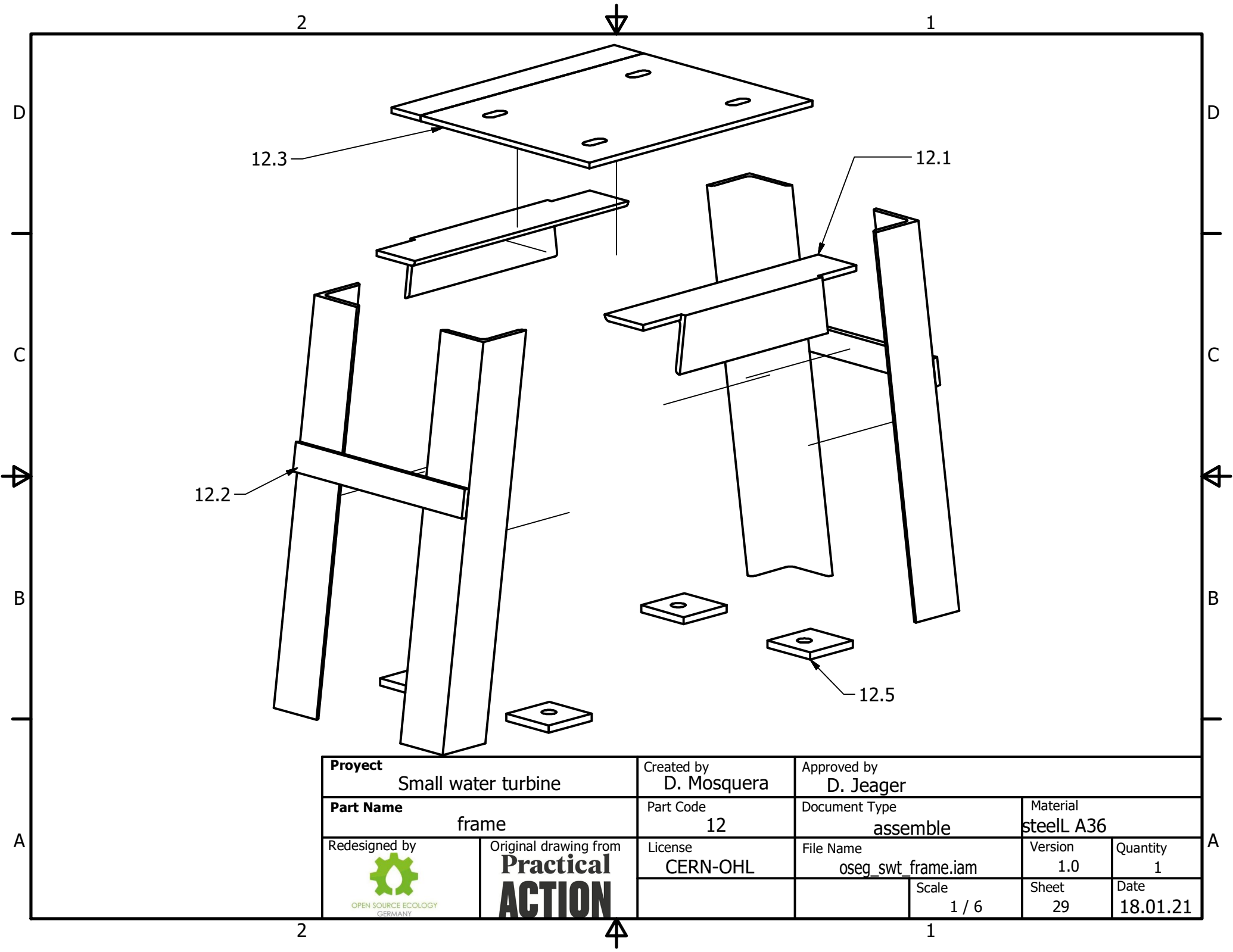
SECTION M-M




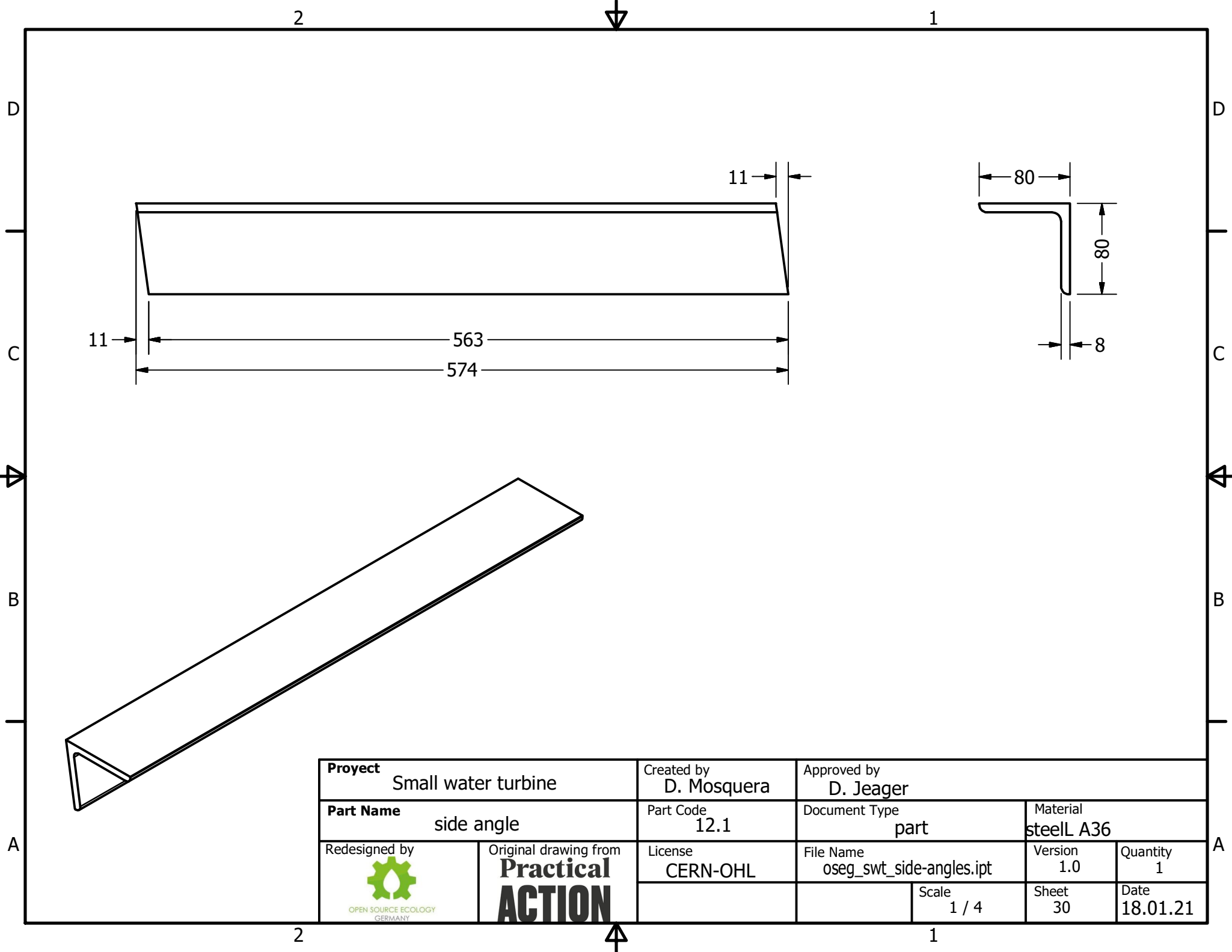
Proyect Small water turbine		Created by D. Mosquera		Approved by D. Jeager	
Part Name hub-housing		Part Code 11.2		Document Type part	
Redesigned by  OPEN SOURCE ECOLOGY GERMANY		Original drawing from Practical ACTION		License CERN-OHL	
		File Name oseg_swt_hub-housing.ipt		Version 1.0	
		Scale 1 / 2		Quantity 1	
				Sheet 27	
				Date 18.01.21	




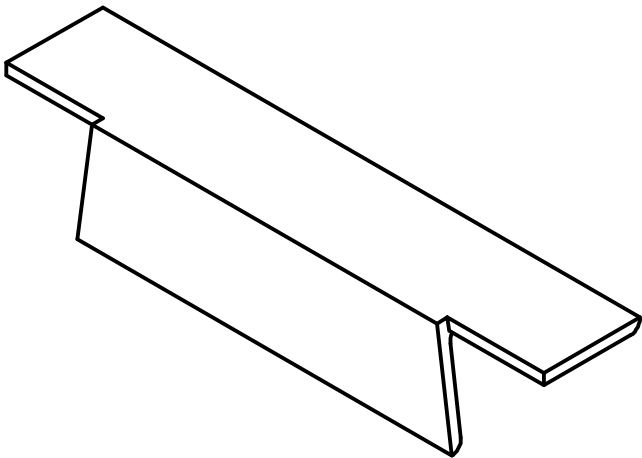
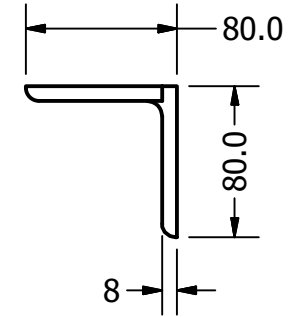
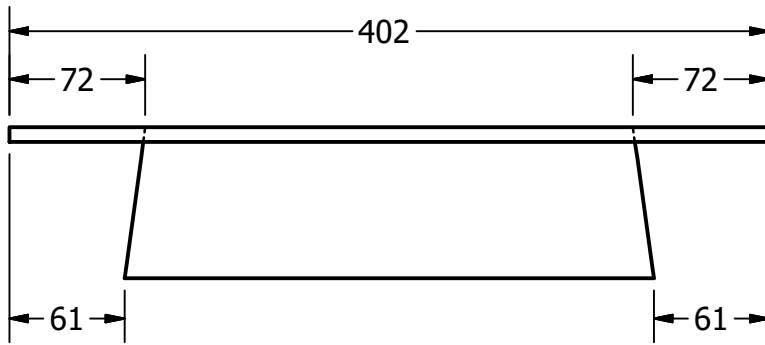
Proyect Small water turbine		Created by D. Mosquera		Approved by D. Jeager	
Part Name frame		Part Code 12	Document Type assemble		Material steel A36
Redesigned by  OPEN SOURCE ECOLOGY GERMANY	Original drawing from Practical ACTION	License CERN-OHL	File Name oseg_swt_frame.iam		Version 1.0
			Scale 1 / 10	Sheet 28	Quantity 1
				Date 18.01.21	




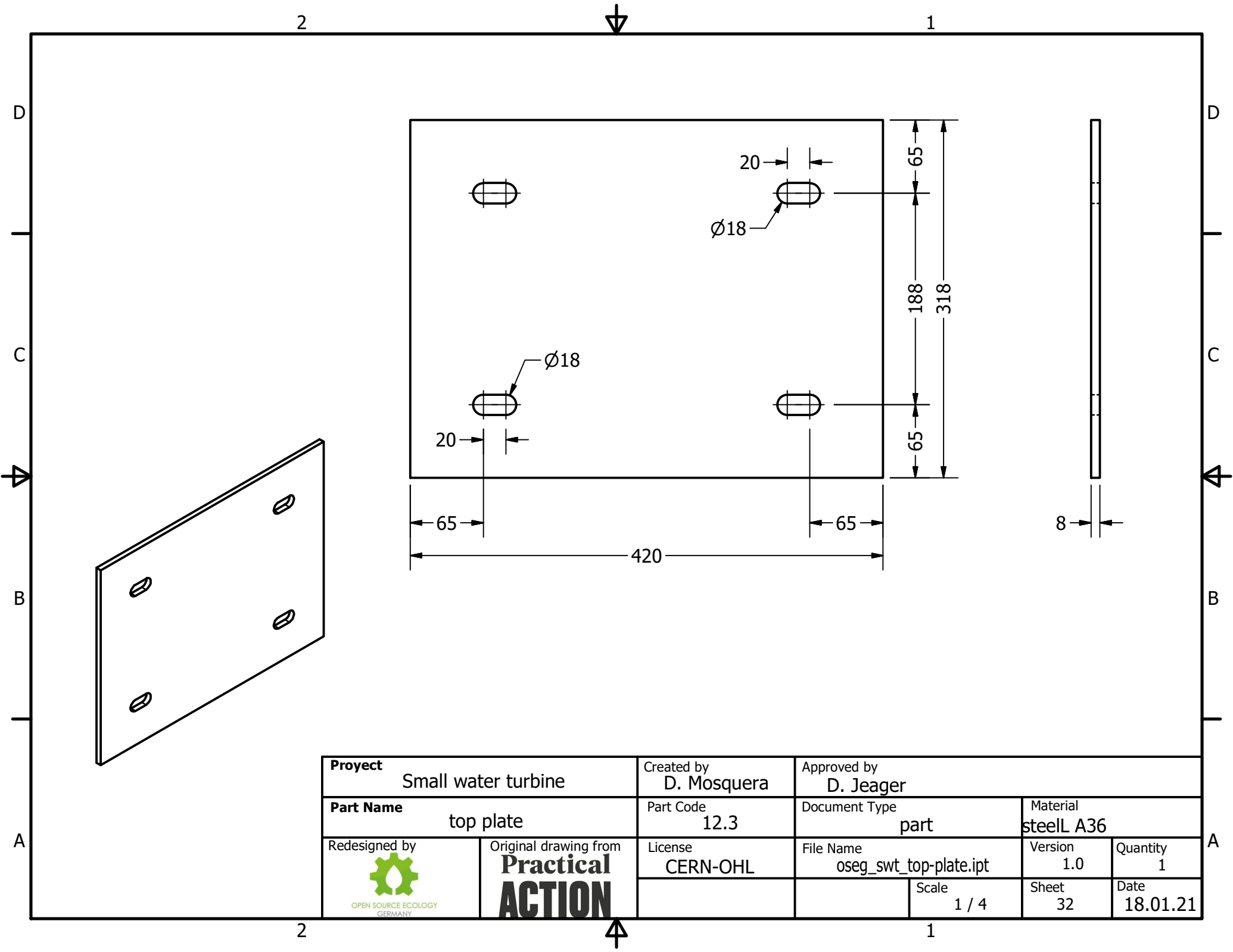
Proyect Small water turbine		Created by D. Mosquera		Approved by D. Jeager	
Part Name frame		Part Code 12		Document Type assemble	
Redesigned by  OPEN SOURCE ECOLOGY GERMANY		Original drawing from Practical ACTION		Material steelL A36	
License CERN-OHL		File Name oseg_swt_frame.iam		Version 1.0	
		Scale 1 / 6		Quantity 1	
				Date 18.01.21	
				Sheet 29	




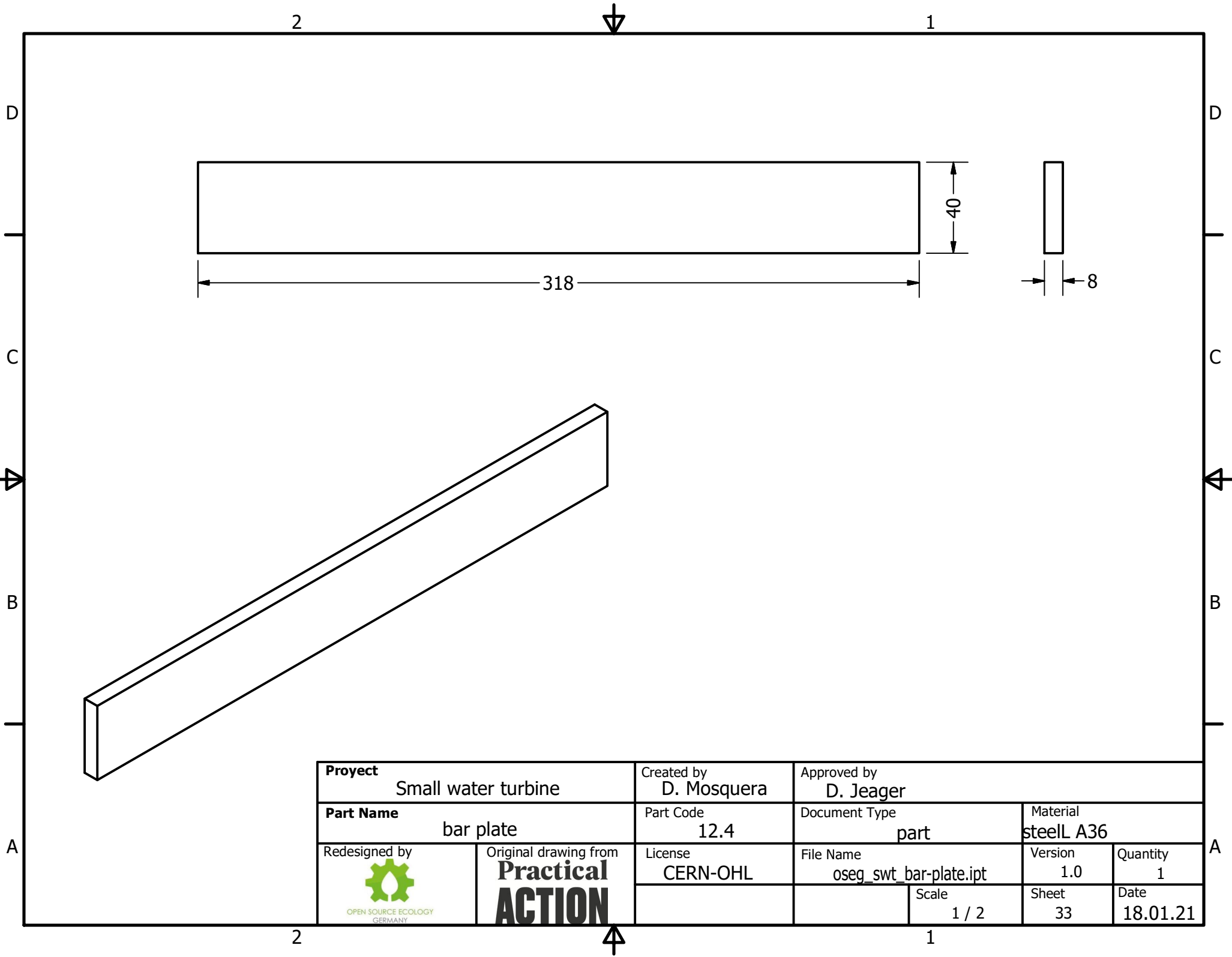
Proyect Small water turbine		Created by D. Mosquera		Approved by D. Jeager	
Part Name side angle		Part Code 12.1	Document Type part		Material steelL A36
Redesigned by  OPEN SOURCE ECOLOGY GERMANY	Original drawing from Practical ACTION	License CERN-OHL	File Name oseg_swt_side-angles.ipt		Version 1.0
			Scale 1 / 4	Sheet 30	Quantity 1
				Date 18.01.21	




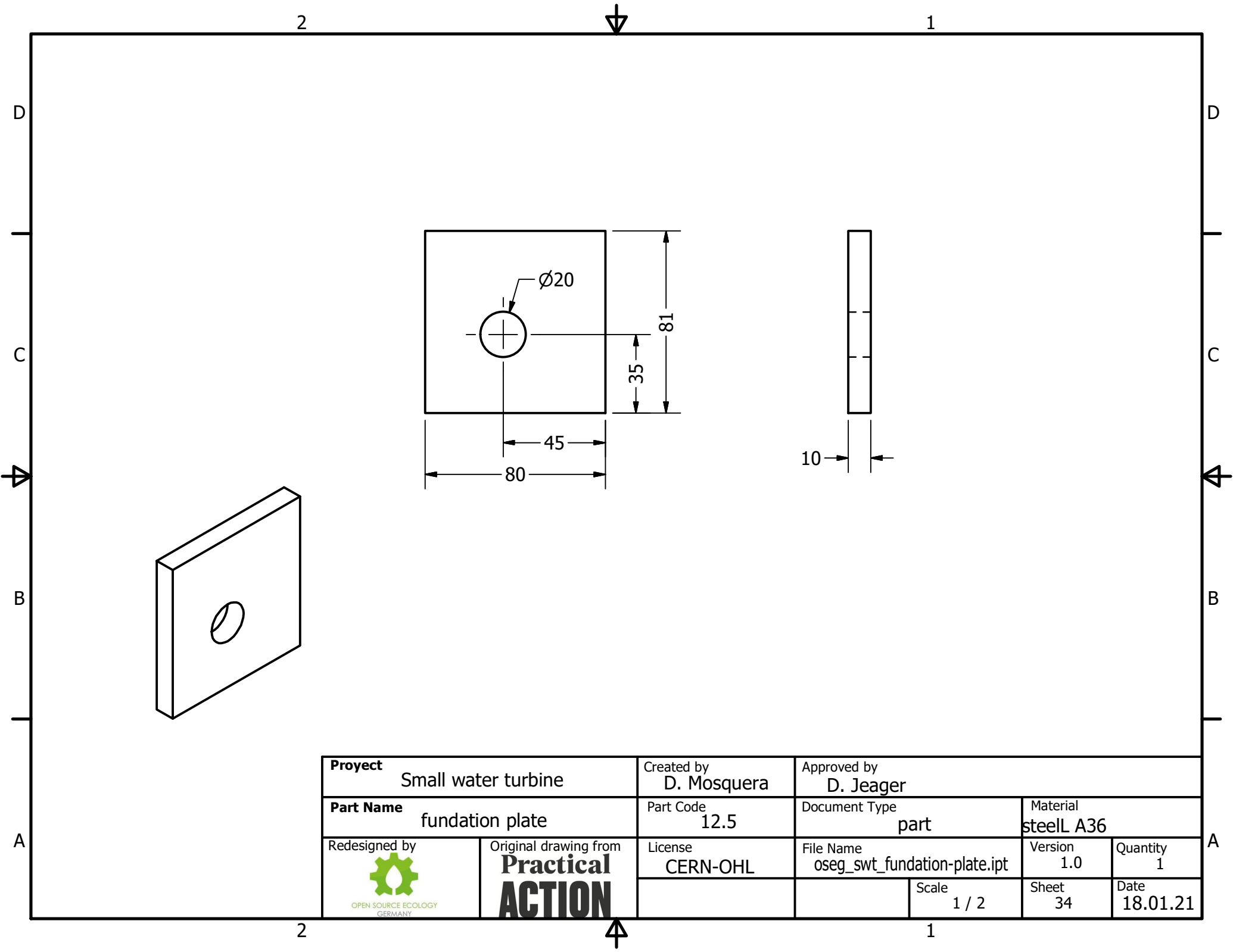
Proyect Small water turbine		Created by D. Mosquera		Approved by D. Jeager	
Part Name top angle		Part Code 12.2		Document Type part	
Redesigned by  OPEN SOURCE ECOLOGY GERMANY		Original drawing from Practical ACTION		Material steelL A36	
		License CERN-OHL		File Name oseg_swt_top-angles.ipt	
				Version 1.0	
				Quantity 1	
				Date 18.01.21	
				Scale 1 / 4	
				Sheet 31	
				Date 18.01.21	




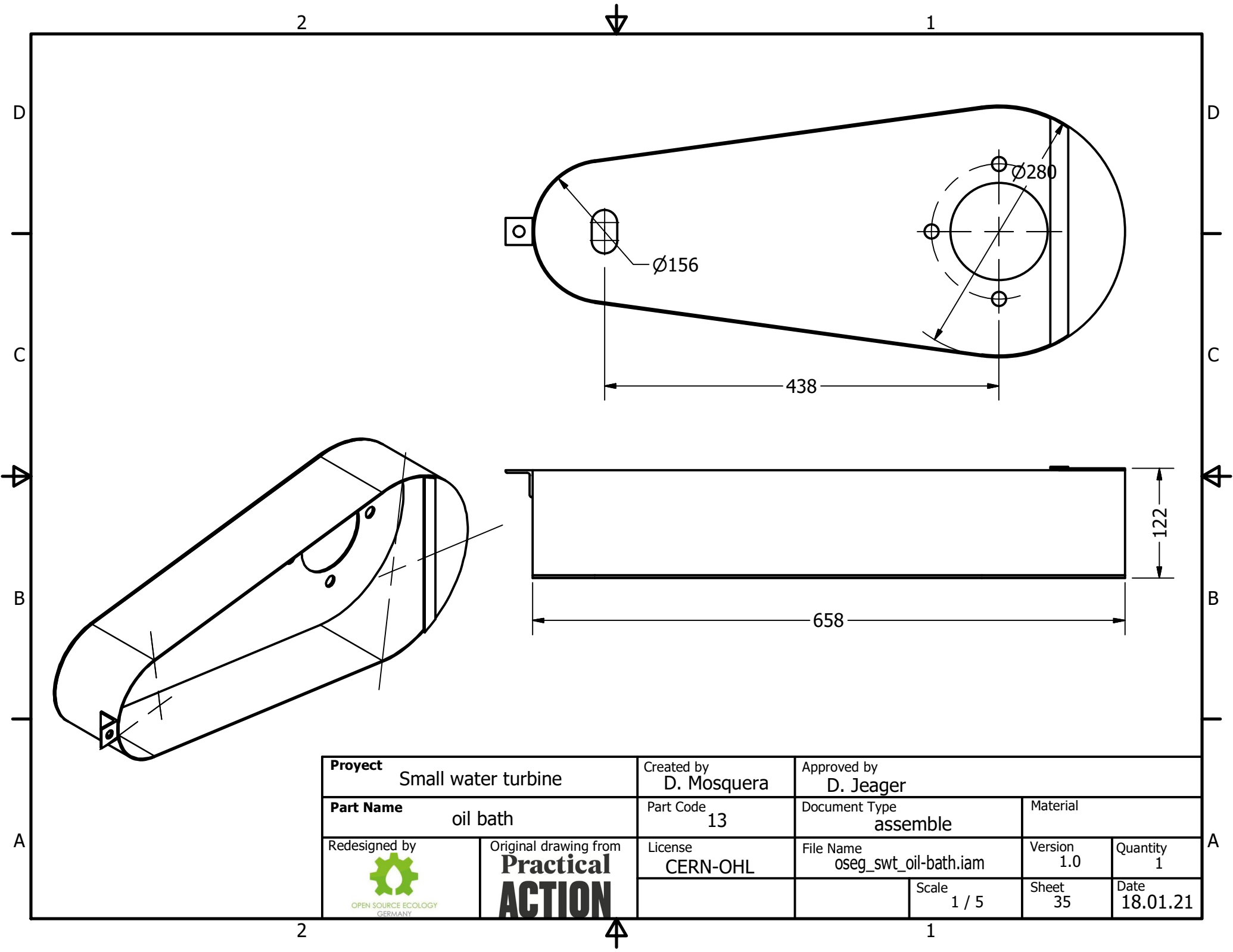
Proyect Small water turbine		Created by D. Mosquera		Approved by D. Jeager	
Part Name top plate		Part Code 12.3		Document Type part	
Redesigned by  OPEN SOURCE ECOLOGY GERMANY	Original drawing from Practical ACTION		License CERN-OHL		File Name oseg_swt_top-plate.ipt
			Scale 1 / 4		Version 1.0
				Sheet 32	Date 18.01.21




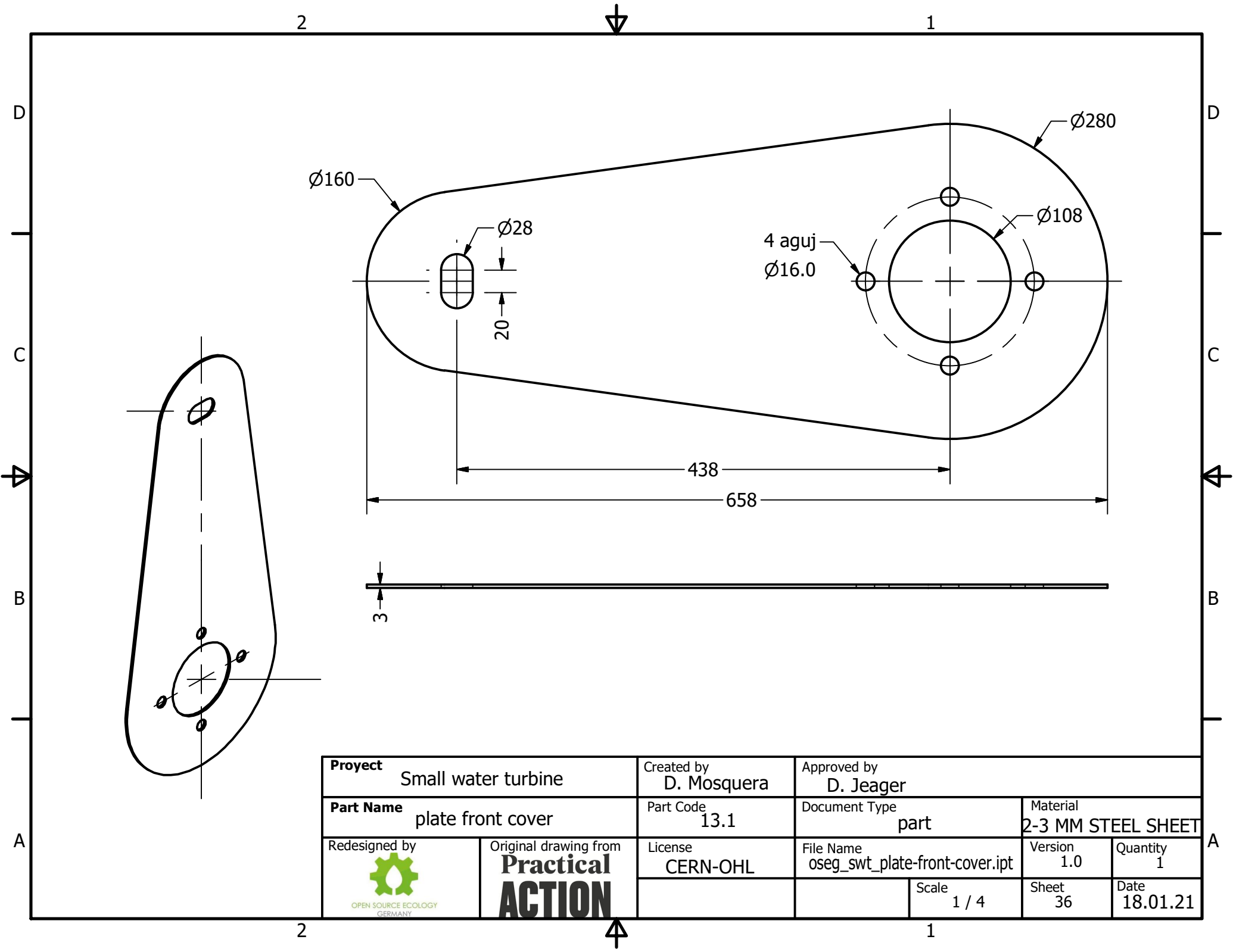
Proyect Small water turbine		Created by D. Mosquera		Approved by D. Jeager	
Part Name bar plate		Part Code 12.4		Document Type part	
Redesigned by  OPEN SOURCE ECOLOGY GERMANY		Original drawing from Practical ACTION		Material steelL A36	
		License CERN-OHL		File Name oseg_swt_bar-plate.ipt	
				Version 1.0	
				Quantity 1	
				Scale 1 / 2	
				Sheet 33	
				Date 18.01.21	




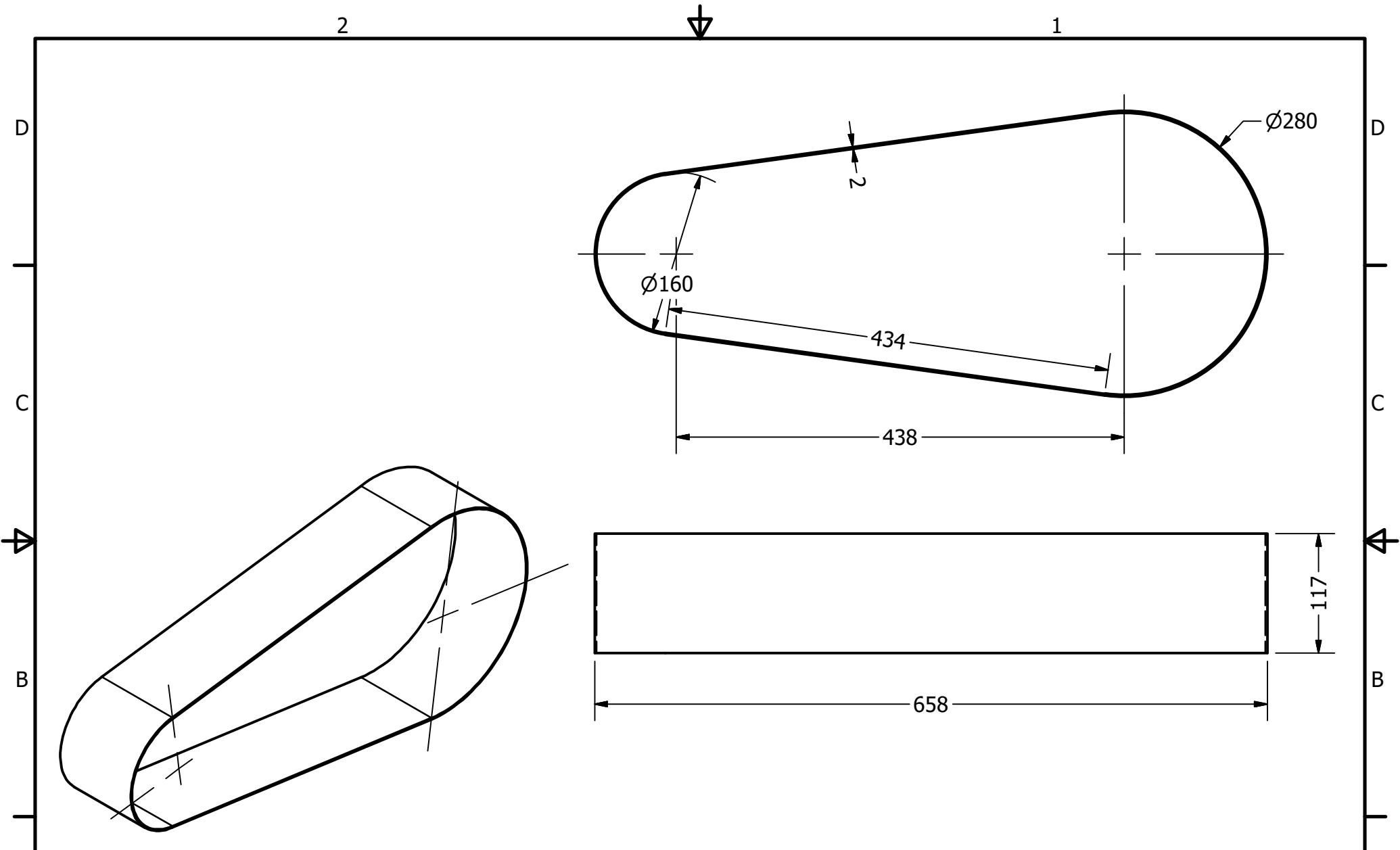
Proyect Small water turbine		Created by D. Mosquera		Approved by D. Jeager	
Part Name foundation plate		Part Code 12.5		Document Type part	
Redesigned by  OPEN SOURCE ECOLOGY GERMANY		Original drawing from Practical ACTION		License CERN-OHL	
				File Name oseg_swt_foundation-plate.ipt	
				Version 1.0	
				Quantity 1	
				Scale 1 / 2	
				Sheet 34	
				Date 18.01.21	




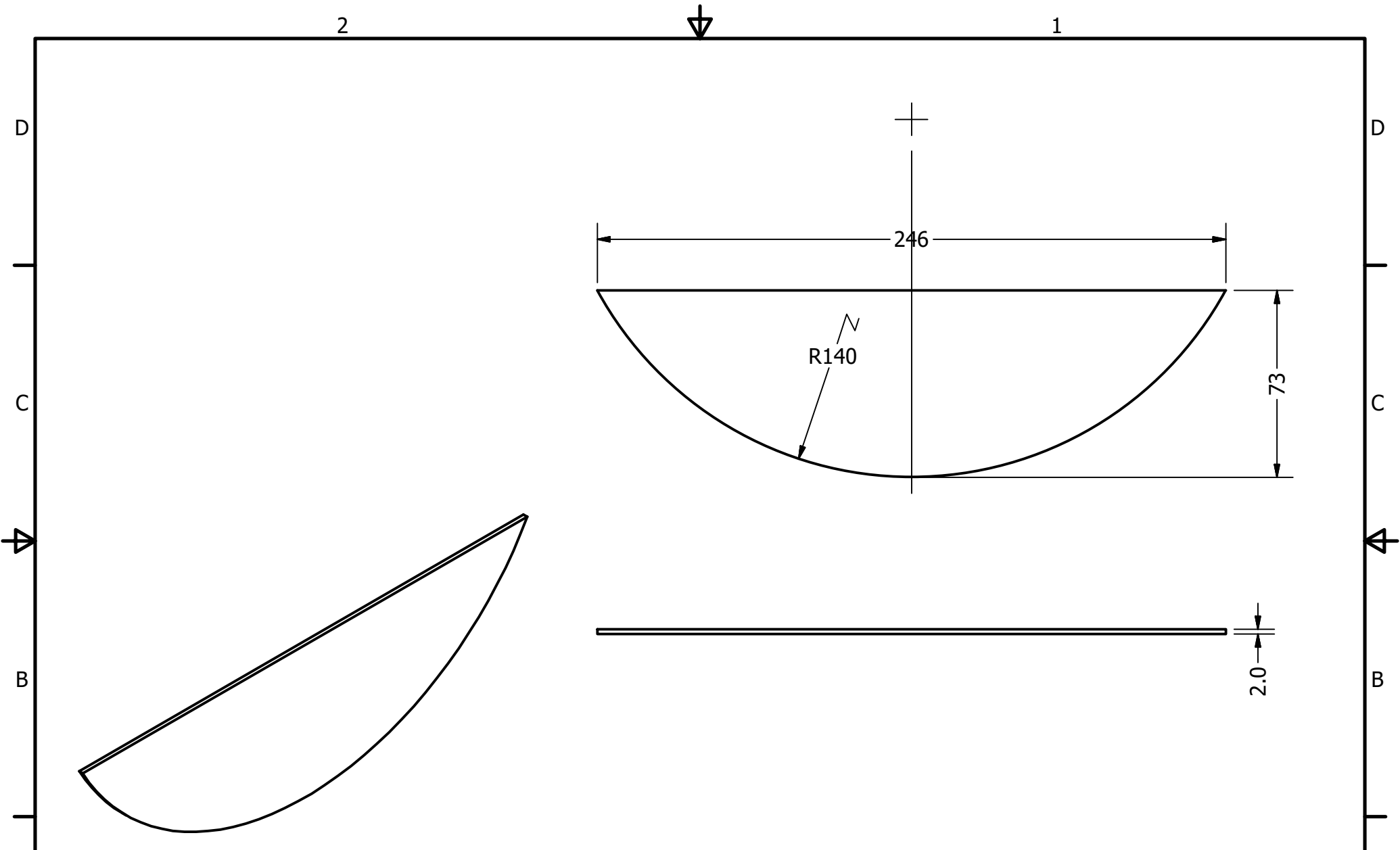
Proyect Small water turbine		Created by D. Mosquera		Approved by D. Jeager	
Part Name oil bath		Part Code 13	Document Type assemble		Material
Redesigned by  OPEN SOURCE ECOLOGY GERMANY	Original drawing from Practical ACTION	License CERN-OHL	File Name oseg_swt_oil-bath.iam		Version 1.0
			Scale 1 / 5	Sheet 35	Quantity 1
				Date 18.01.21	




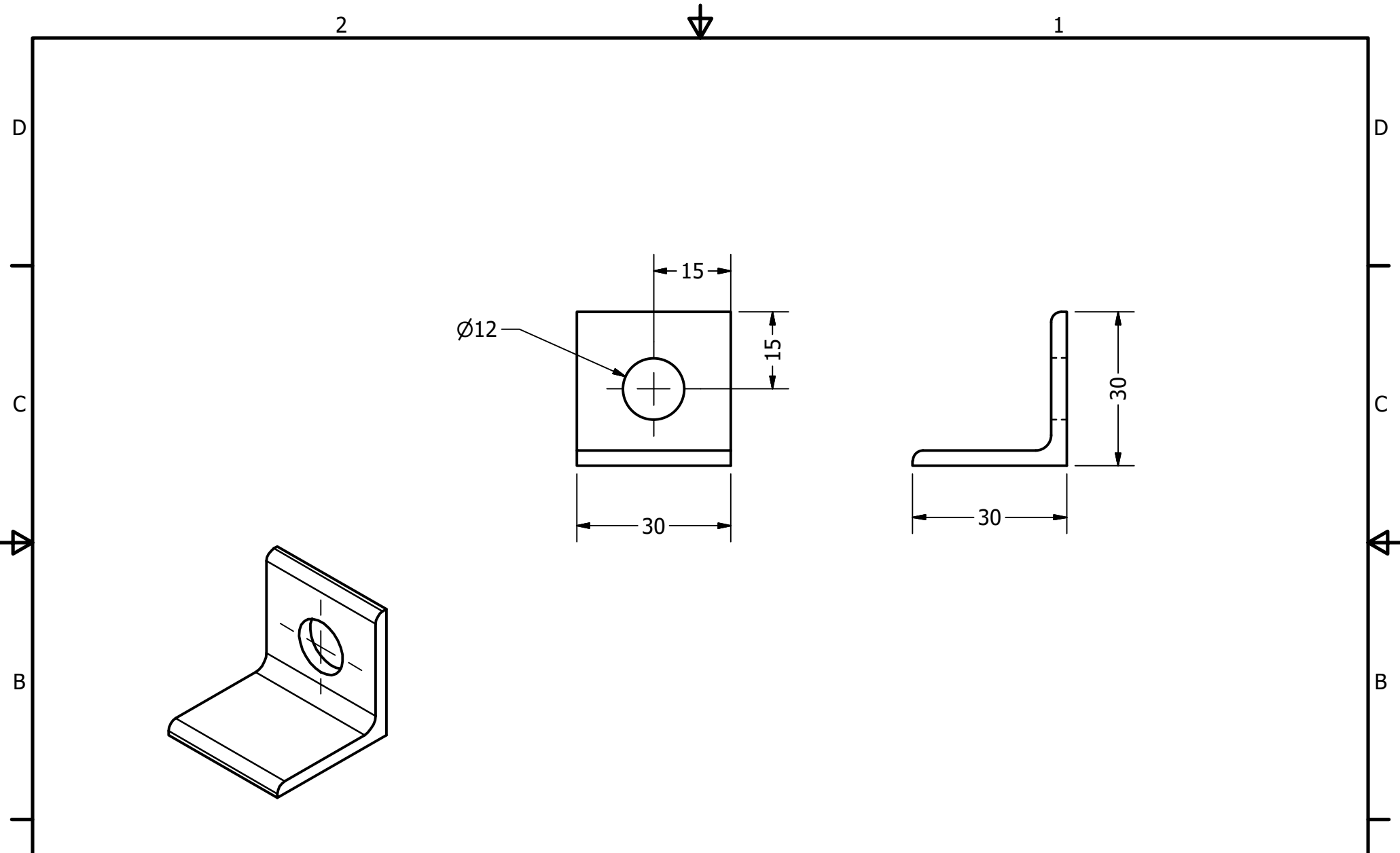
Proyect Small water turbine		Created by D. Mosquera		Approved by D. Jeager	
Part Name plate front cover		Part Code 13.1	Document Type part		Material 2-3 MM STEEL SHEET
Redesigned by  OPEN SOURCE ECOLOGY GERMANY	Original drawing from Practical ACTION	License CERN-OHL	File Name oseg_swt_plate-front-cover.ipt		Version 1.0
			Scale 1 / 4	Sheet 36	Quantity 1
				Date 18.01.21	




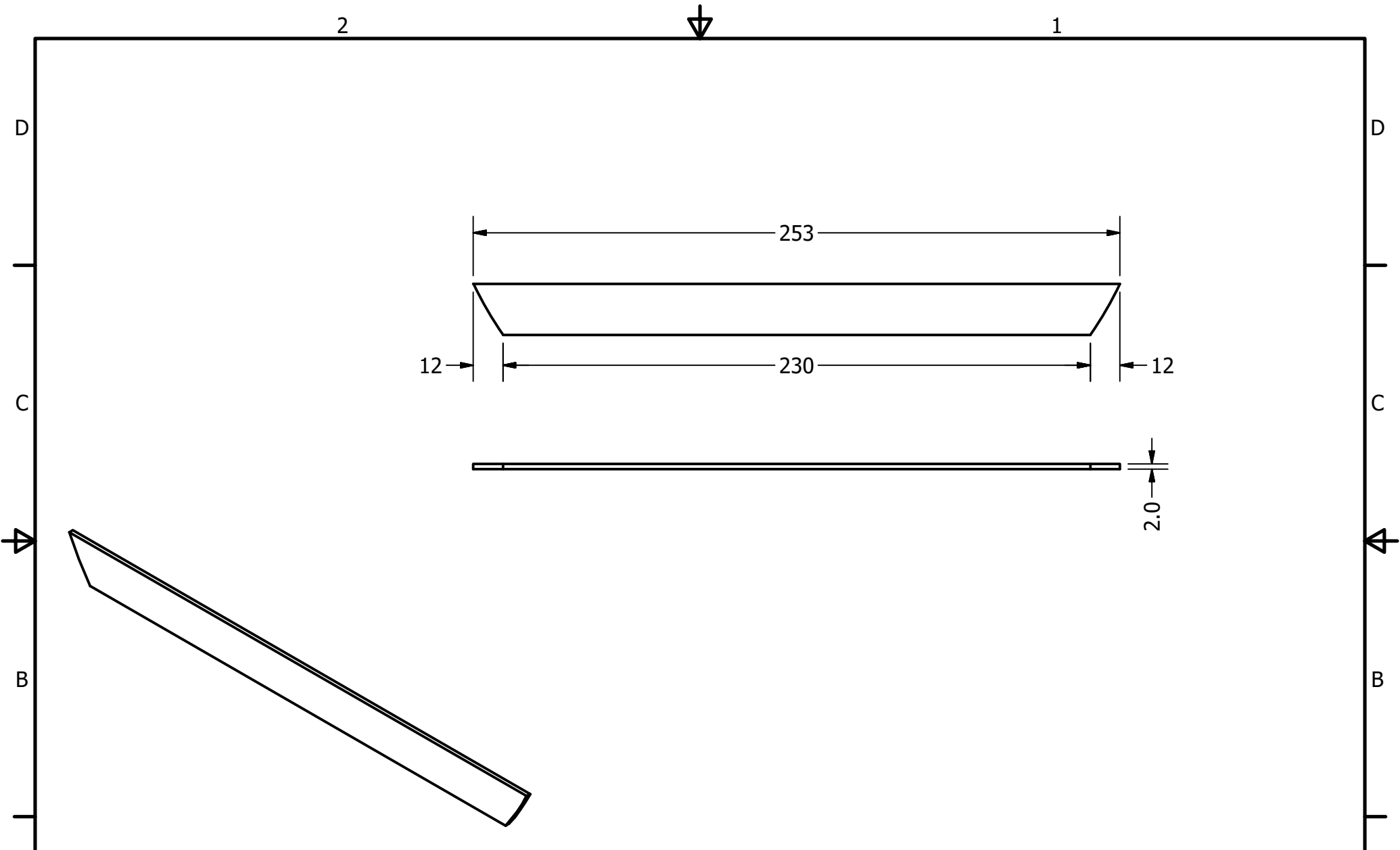
Proyect Small water turbine		Created by D. Mosquera		Approved by D. Jeager		
Part Name band side cover		Part Code 13.2		Document Type part		Material 2-3 MM STEEL SHEET
Redesigned by  OPEN SOURCE ECOLOGY GERMANY	Original drawing from Practical ACTION		License CERN-OHL		File Name oseq swt band-side-cover.ipt	
			Scale 1 / 5		Version 1.0	Quantity 1
					Sheet 37	




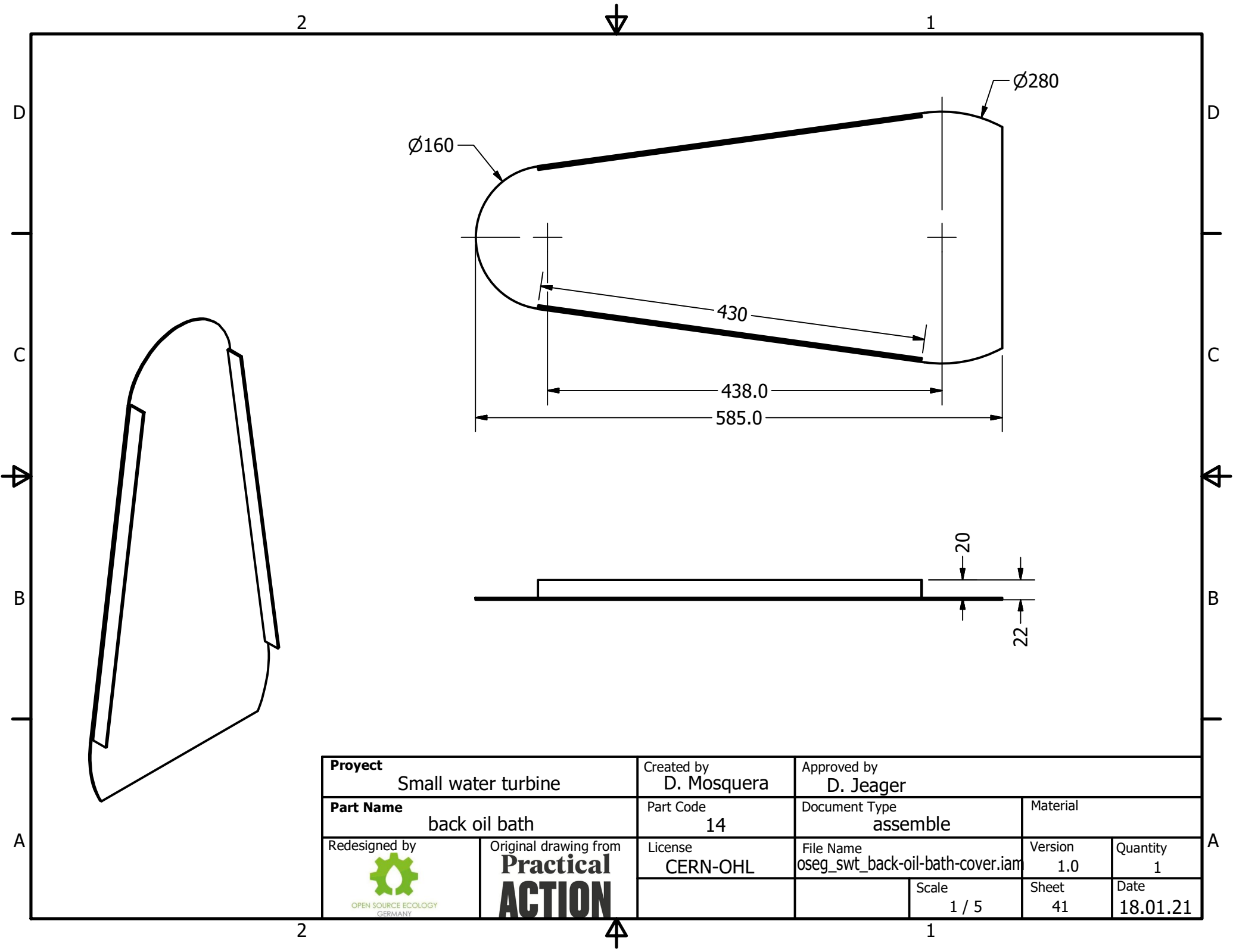
Proyect Small water turbine		Created by D. Mosquera		Approved by D. Jeager		
Part Name plate down cover		Part Code 13.3		Document Type part		Material 2-3 MM STEEL SHEET
Redesigned by  OPEN SOURCE ECOLOGY GERMANY	Original drawing from Practical ACTION		License CERN-OHL		File Name oseg_swt_plate-down-cover.ipt	
			Scale 1 / 2		Version 1.0	Quantity 1
			Sheet 38			




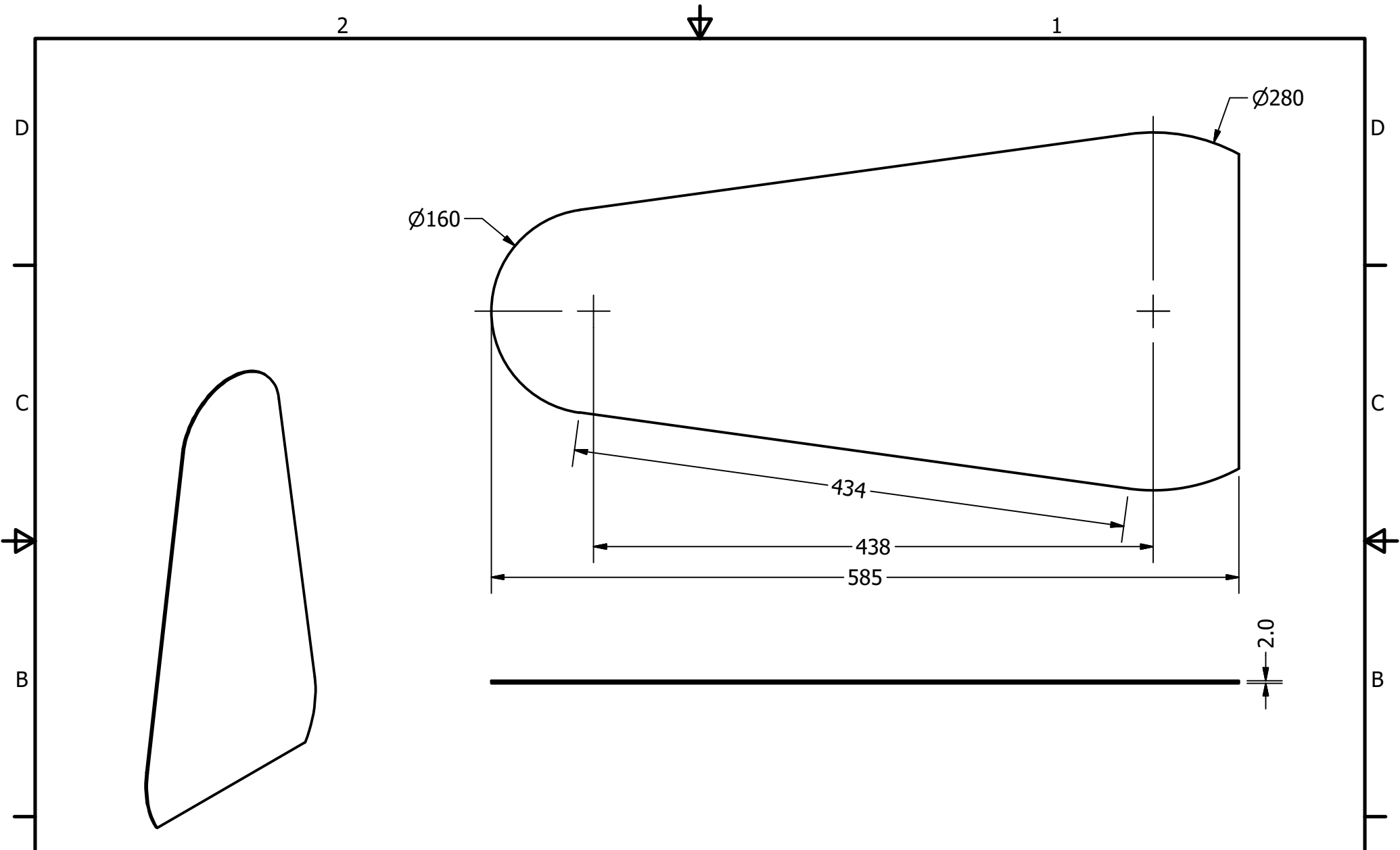
Proyect Small water turbine		Created by D. Mosquera		Approved by D. Jeager	
Part Name brake angle cover		Part Code 13.4		Document Type part	
Redesigned by  OPEN SOURCE ECOLOGY GERMANY		Original drawing from Practical ACTION		Material STEEL A36	
License CERN-OHL		File Name oseg_swt_brake-angle-cover.ipt		Version 1.0	
		Scale 1 : 1		Quantity 1	
				Date 18.01.21	
				Sheet 39	




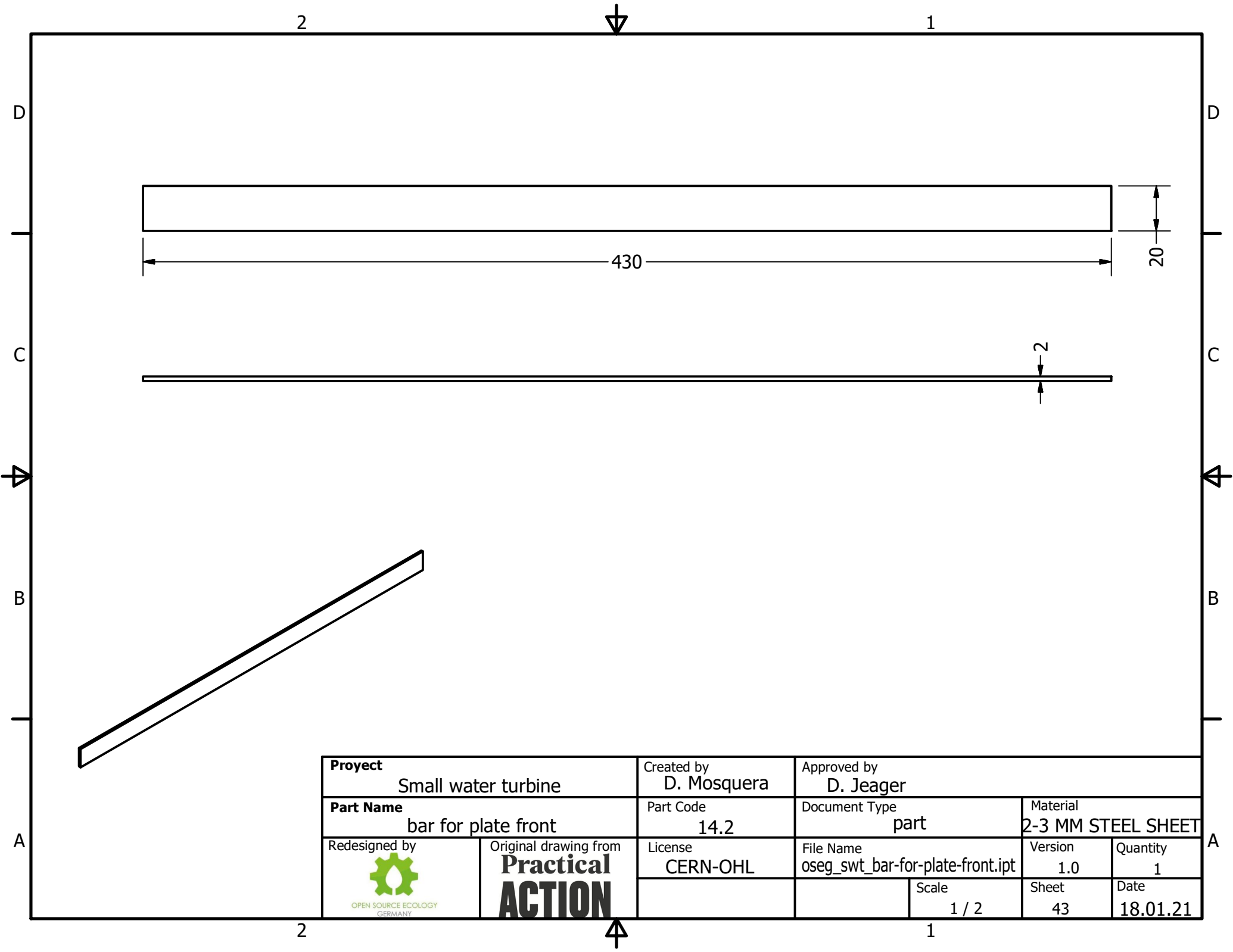
Proyect Small water turbine		Created by D. Mosquera		Approved by D. Jeager		
Part Name brake bar cover		Part Code 13.5		Document Type part		Material 2-3 MM STEEL SHEET
Redesigned by  OPEN SOURCE ECOLOGY GERMANY	Original drawing from Practical ACTION		License CERN-OHL		File Name oseg_swt_brake-bar-cover.ipt	
			Scale 1 / 2		Version 1.0	Quantity 1
					Sheet 40	Date 18.01.21




Proyect Small water turbine		Created by D. Mosquera	Approved by D. Jeager		
Part Name back oil bath		Part Code 14	Document Type assemble	Material	
Redesigned by  OPEN SOURCE ECOLOGY GERMANY	Original drawing from Practical ACTION	License CERN-OHL	File Name oseg_swt_back-oil-bath-cover.iam	Version 1.0	Quantity 1
			Scale 1 / 5	Sheet 41	Date 18.01.21



Proyect Small water turbine		Created by D. Mosquera		Approved by D. Jeager		
Part Name plate back cover		Part Code 14.1		Document Type part		Material 2-3 MM STEEL SHEET
Redesigned by  OPEN SOURCE ECOLOGY GERMANY	Original drawing from Practical ACTION		License CERN-OHL		File Name oseg_swt_plate-back-cover.ipt	
			Scale 1 / 4		Version 1.0	Quantity 1
			Sheet 42		Date 18.01.21	



Proyect Small water turbine		Created by D. Mosquera		Approved by D. Jeager		
Part Name bar for plate front		Part Code 14.2		Document Type part		Material 2-3 MM STEEL SHEET
Redesigned by  OPEN SOURCE ECOLOGY GERMANY	Original drawing from Practical ACTION		License CERN-OHL		File Name oseg_swt_bar-for-plate-front.ipt	
					Version 1.0	Quantity 1
				Scale 1 / 2	Sheet 43	Date 18.01.21