


Proyect Small water turbine		Created by D. Mosquera		Approved by D. Jeager	
Part Name small-water-turbiner		Part Code A1		Document Type ASSEMBLY	
Redesigned by  OPEN SOURCE ECOLOGY GERMANY	Original drawing from Practical ACTION		License CERN-OHL		File Name oseg_swt_A1_small-water-turbiner
					Scale 1:8
				Sheet 1	Date 18.01.21

2

1

D

D

C

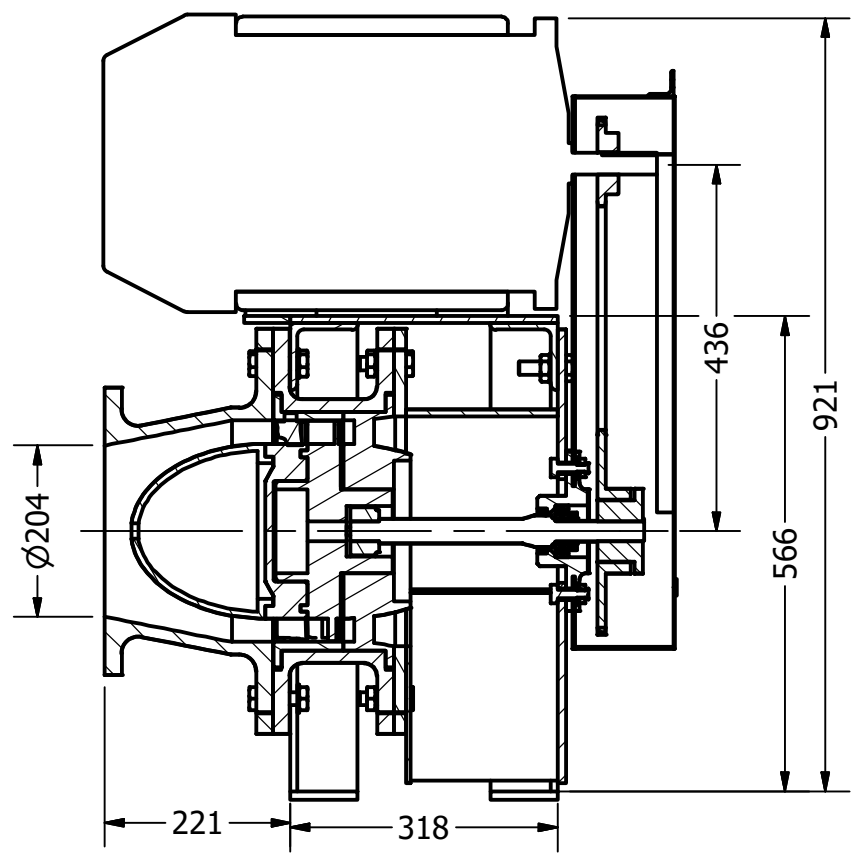
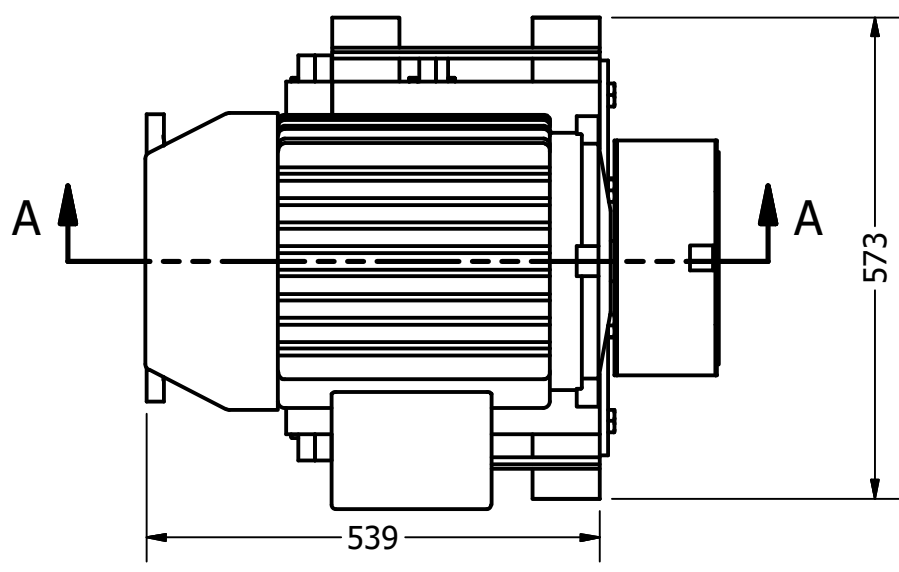
C

B


B

A

A



SECTION A-A

Proyect Small water turbine		Created by D. Mosquera		Approved by D. Jeager	
Part Name small-water-turbiner		Part Code A1		Document Type ASSEMBLY	
Redesigned by  OPEN SOURCE ECOLOGY GERMANY		Original drawing from Practical ACTION		License CERN-OHL	
				File Name oseg_swt_A1_small-water-turbiner	
				Version 1.0	
				Quantity 1	
				Scale 1:8	
				Sheet 2	
				Date 18.01.21	

2

1

