
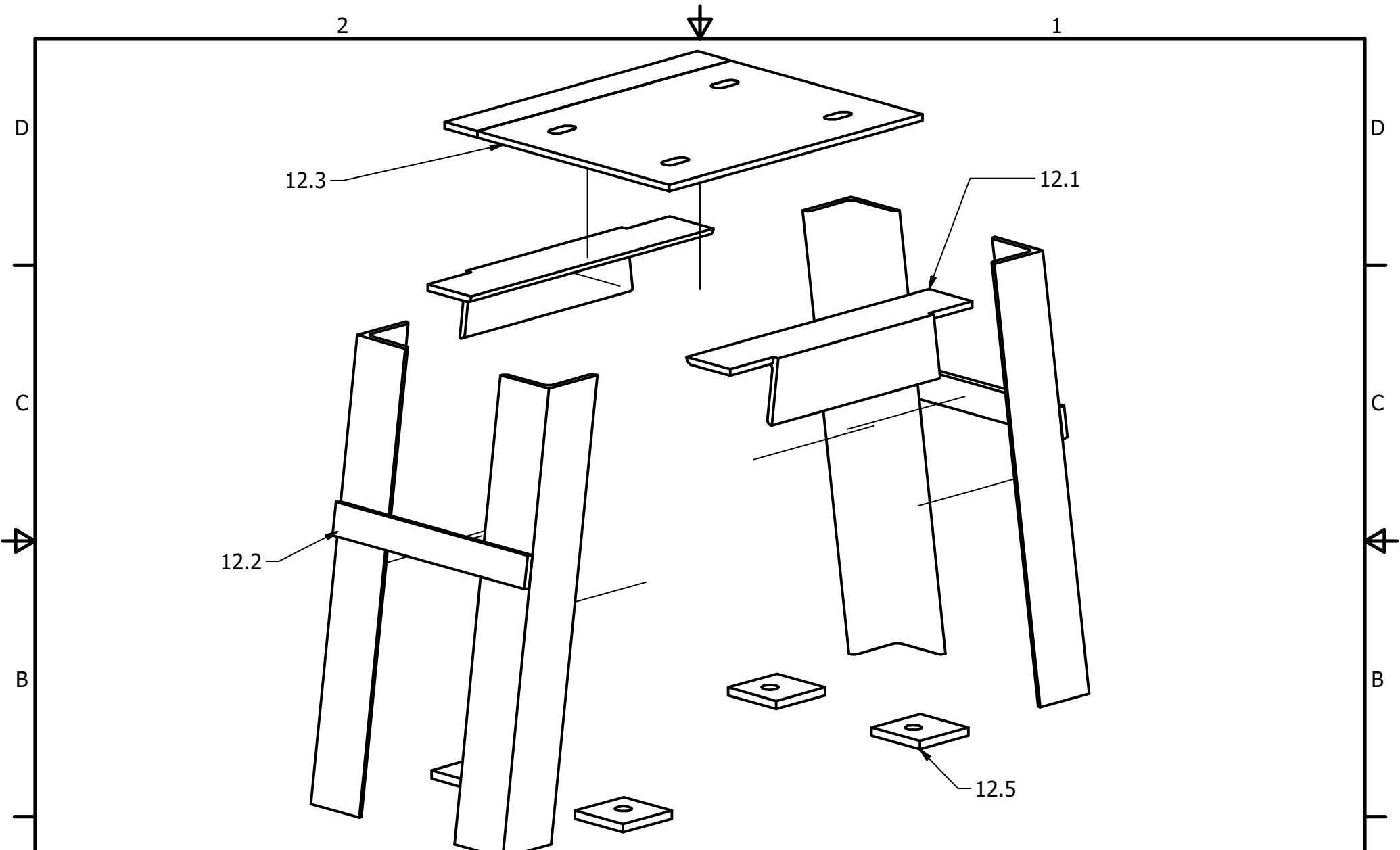



Project Small water turbine		Created by D. Mosquera		Approved by D. Jeager	
Part Name frame		Part Code 12	Document Type assemble		Material steel A36
Redesigned by  OPEN SOURCE ECOLOGY GERMANY	Original drawing from Practical ACTION	License CERN-OHL	File Name oseg_swt_frame.iam		Version 1.0
			Scale 1 / 10	Sheet 28	Quantity 1
				Date 18.01.21	



Proyect Small water turbine		Created by D. Mosquera		Approved by D. Jeager	
Part Name frame		Part Code 12		Document Type assemble	
Redesigned by  OPEN SOURCE ECOLOGY GERMANY		Original drawing from Practical ACTION		Material steelL A36	
		License CERN-OHL		File Name oseg_swt_frame.iam	
				Version 1.0	
				Quantity 1	
		Scale 1 / 6		Sheet 29	
				Date 18.01.21	