
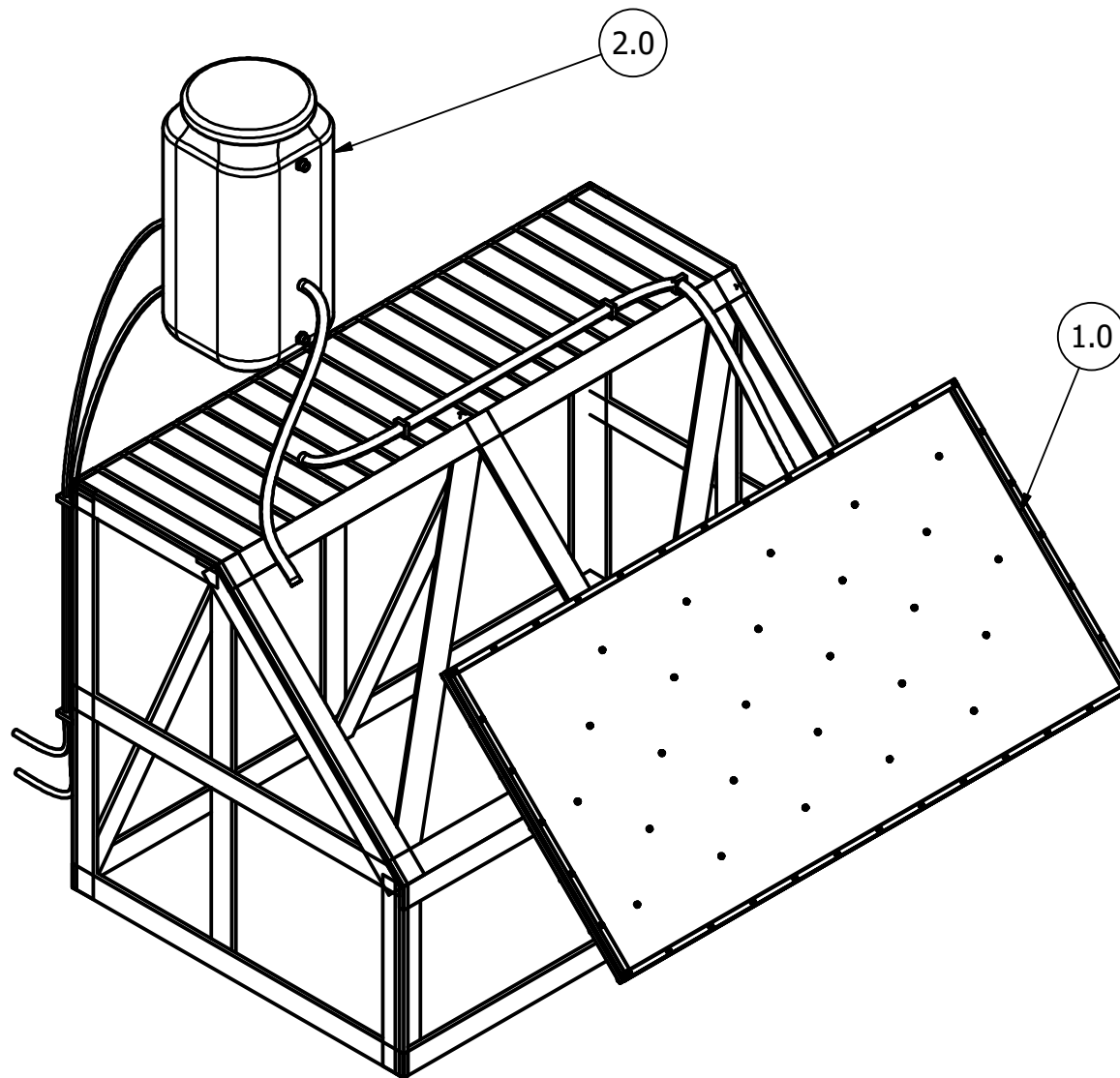



PROJECT		CREATED BY	APROVED BY		
Solar Heater		A. MORILLO	D. JAEGER		
PART NAME		PART CODE	DOCUMENT TYPE	MATERIAL	
solar-water-heater		A1	ASSEMBLY		
DEVELOPED BY	REDESIGNED BY	LICENCE	FILE NAME	VERSION	QUANTITY
OpenSource LowTech.org	 OPEN SOURCE ECOLOGY GERMANY	CERN-OHL	solar-water-heater.iam	1.0	
				SCALE	SHEET
				1:30	1 / 15
					8/12/2020



PROJECT		CREATED BY	APROVED BY			
Solar Heater		A. MORILLO	D. JAEGER			
PART NAME		PART CODE	DOCUMENT TYPE	MATERIAL		
solar-water-heater		A2	ASSEMBLY			
DEVELOPED BY	REDESIGNED BY	LICENCE	FILE NAME	VERSION	QUANTITY	
OpenSource LowTech.org	 OPEN SOURCE ECOLOGY GERMANY	CERN-OHL	solar-water-heater.iam	1.0		
				SCALE	SHEET	DATE
				1:25	2 / 15	8/12/2020