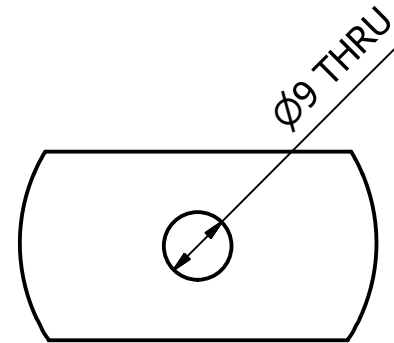
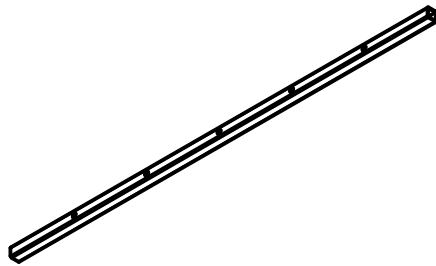



(1:1)



M (1:1)

PROJECT		CREATED BY	APROVED BY	
Solar Heater		A. MORILLO	D. JAEGER	
PART NAME		PART CODE	DOCUMENT TYPE	MATERIAL
EN 10210-2 - 25 x 25 x 2 - 1170		1.1.2	PART	STEEL A36
DEVELOPED BY	REDESIGNED BY	LICENCE	FILE NAME	VERSION
OpenSource LowTech.org	 OPEN SOURCE ECOLOGY GERMANY	CERN-OHL	DIN 25 x 25 x 2 00000004.ipt	1.0
			SCALE	QUANTITY
			1:15	2
			SHEET	DATE
			8 / 15	8/12/2020