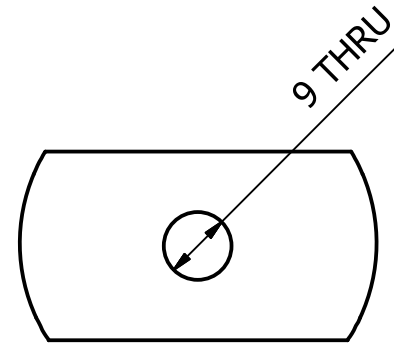
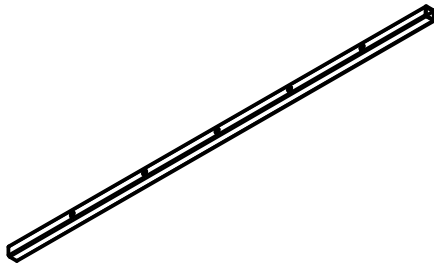



( 1:1 )



M ( 1:1 )

PROJECT		CREATED BY	APROVED BY		
Solar Heater		A. MORILLO	D. JAEGER		
PART NAME		PART CODE	DOCUMENT TYPE	MATERIAL	
EN 10210-2 - 25 x 25 x 2 - 1170		1.1.2	PART	STEEL A36	
DEVELOPED BY	REDESIGNED BY	LICENCE	FILE NAME	VERSION	QUANTITY
OpenSource LowTech.org	 OPEN SOURCE ECOLOGY GERMANY	CERN-OHL	DIN 25 x 25 x 2	1.0	2
			00000004.ipt	SCALE	SHEET
			1:15	8 / 15	8/12/2020