
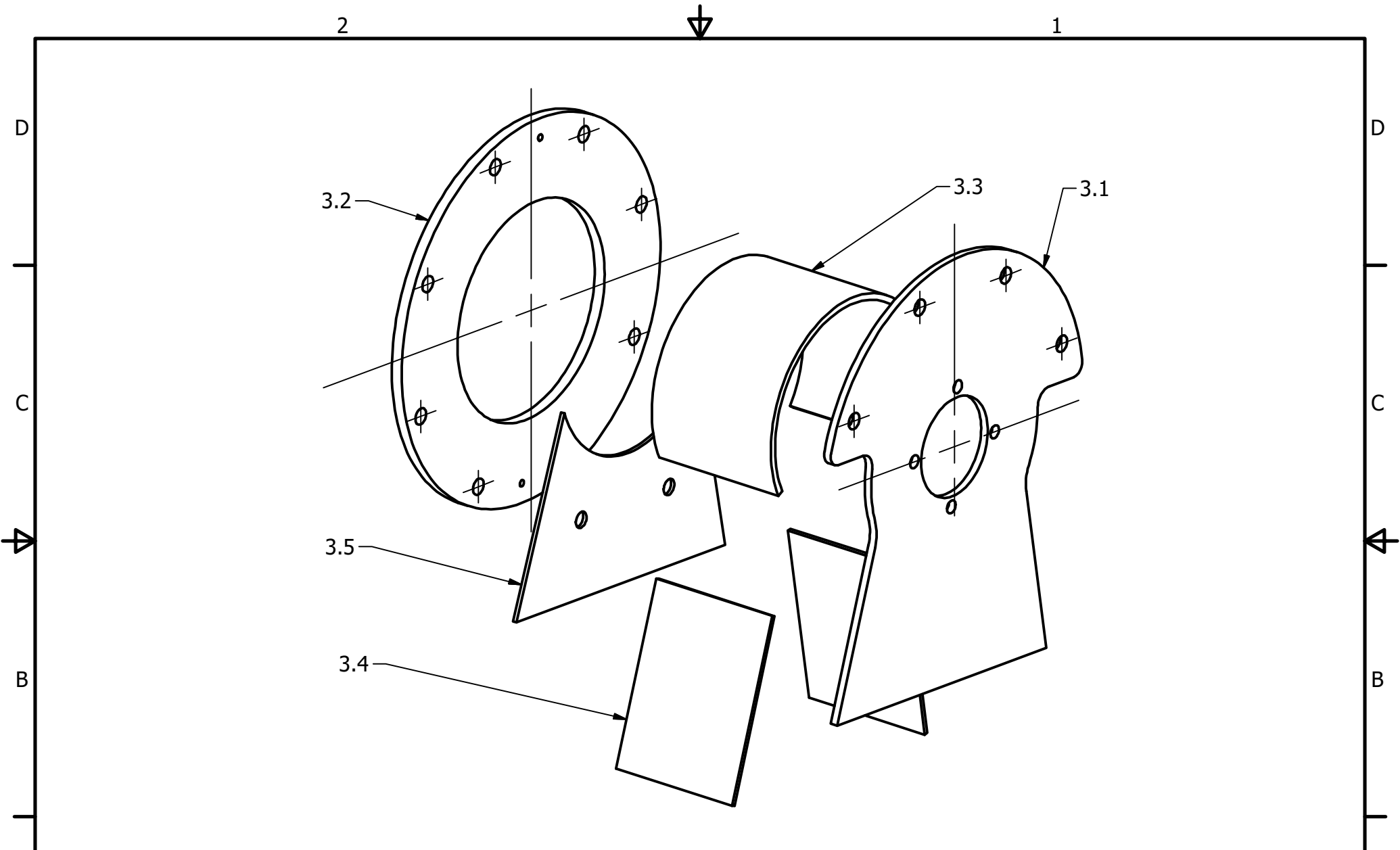



Project Small water turbine		Created by D. Mosquera		Approved by D. Jeager	
Part Name drain chute		Part Code 3		Document Type assembly	
Redesigned by  OPEN SOURCE ECOLOGY GERMANY		Original drawing from Practical ACTION		License CERN-OHL	
				File Name oseg_swt_drain-chute.iam	
				Version 1.0	
				Quantity 1	
				Scale 1 / 8	
				Sheet 10	
				Date 18.01.21	



Proyect Small water turbine		Created by D. Mosquera		Approved by D. Jeager	
Part Name drain chute		Part Code 3		Document Type assembly	
Redesigned by  OPEN SOURCE ECOLOGY GERMANY		Original drawing from Practical ACTION		Material steel C45	
		License CERN-OHL		File Name oseg_swt_drain-chute.iam	
				Version 1.0	
				Quantity 1	
		Scale		Sheet 11	
				Date 18.01.21	