
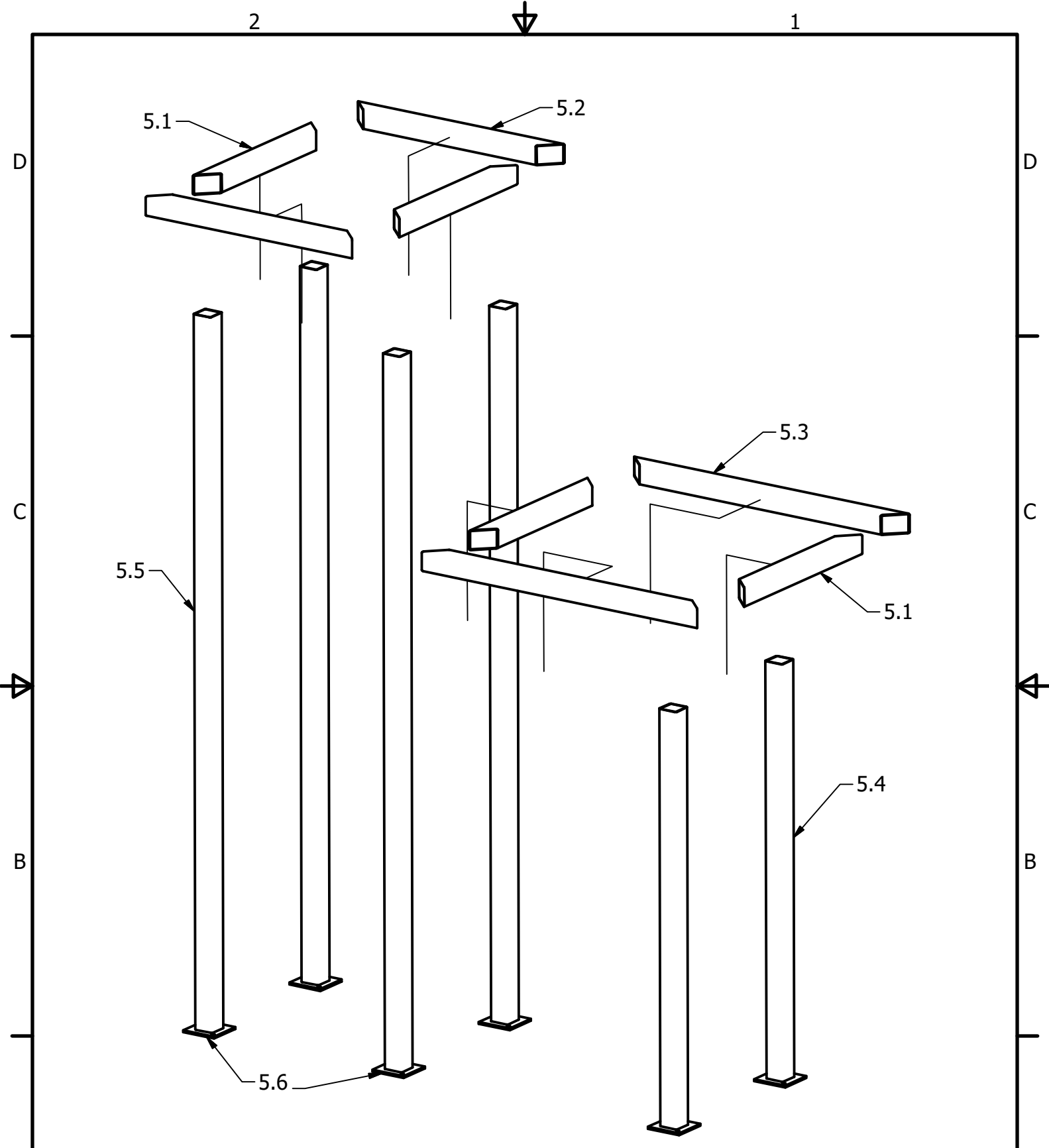



|   |  |   |  |                                  |  |
|---|--|---|--|----------------------------------|--|
| <b>Proyect</b><br>Zigzag Solar Water Heater   |  | <b>Created by</b><br>D. Mosquera                                      |  | <b>Approved by</b><br>D. Jeager  |  |
| <b>Part Name</b><br>foundation storage tank   |  | <b>Part Code</b><br>5   |  | <b>Document Type</b><br>assembly |  |
| <b>Material</b><br>structural steel   |  | <b>Version</b><br>1.0   |  | <b>Quantity</b><br>1             |  |
| <b>Redesigned by</b><br><br>OPEN SOURCE ECOLOGY<br>GERMANY |  | <b>Original drawing from</b><br><b>WOT</b><br>University of<br>Twente |  | <b>License</b><br>CC-BY-SA       |  |
|   |  | <b>File Name</b><br>oseg_zsw_h_foundation-structure.iam               |  | <b>Scale</b><br>1 / 20           |  |
|   |  |   |  | <b>Sheet</b><br>31               |  |
|   |  |   |  | <b>Date</b><br>10.02.21          |  |

2

4

1



|  |  |   |  |                                  |  |
|--|--|---|--|----------------------------------|--|
| <b>Proyect</b><br>Zigzag Solar Water Heater  |  | <b>Created by</b><br>D. Mosquera                            |  | <b>Approved by</b><br>D. Jeager  |  |
| <b>Part Name</b><br>foundation storage tank  |  | <b>Part Code</b><br>5                                       |  | <b>Document Type</b><br>assembly |  |
| <b>Material</b><br>structural steel  |  | <b>Version</b><br>1.0                                       |  | <b>Quantity</b><br>1             |  |
| <b>Redesigned by</b><br><br>OPEN SOURCE ECOLOGY GERMANY |  | <b>Original drawing from</b><br>WOT<br>University of Twente |  | <b>License</b><br>CC-BY-SA       |  |
|  |  | <b>File Name</b><br>oseg_zsw_h_foundation-structure.iam     |  | <b>Scale</b><br>1 / 12           |  |
|  |  |   |  | <b>Sheet</b><br>32               |  |
|  |  |   |  | <b>Date</b><br>10.02.21          |  |

2

4

1