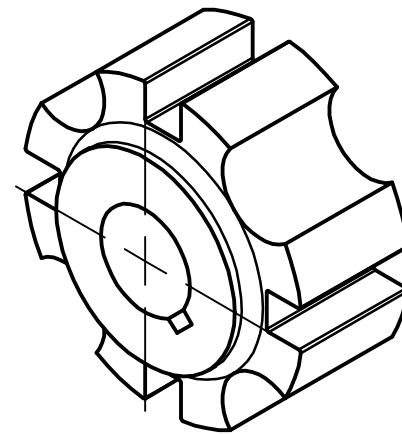



SECTION J-J



<b>Project</b> Small water turbine		Created by D. Mosquera		Approved by D. Jeager	
<b>Part Name</b> slotter disk		Part Code 9		Document Type part	
Redesigned by  OPEN SOURCE ECOLOGY GERMANY		Original drawing from <b>Practical ACTION</b>		Material ALUMINIUM	
		License CERN-OHL		File Name oseg_swt_slotted-disk.ipt	
				Version 1.0	
				Quantity 1	
		Scale 1 : 1		Sheet 24	
				Date 18.01.21	