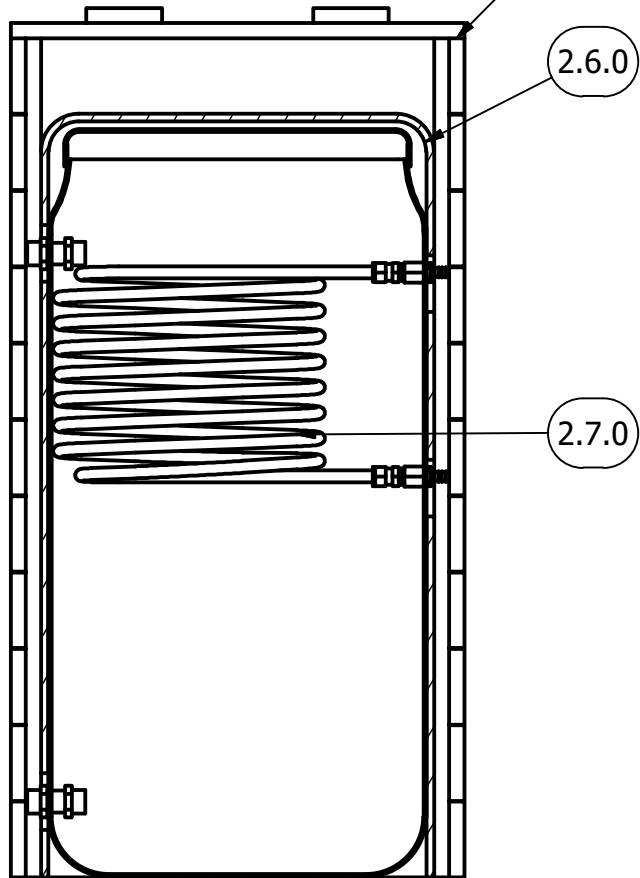



OPTIONAL WOOD STRUCTURE



F-F ( 1:10 )

PROJECT		CREATED BY	APROVED BY			
Solar Heater		A. MORILLO	D. JAEGER			
PART NAME		PART CODE	DOCUMENT TYPE	MATERIAL		
tank-assembly		2.0.0	ASSEMBLY			
DEVELOPED BY	REDESIGNED BY	LICENCE	FILE NAME	VERSION	QUANTITY	
OpenSource LowTech.org	 OPEN SOURCE ECOLOGY GERMANY	CERN-OHL	tank-assembly.iam	1.0	1	
				SCALE	SHEET	DATE
				1:10	14 / 15	8/12/2020