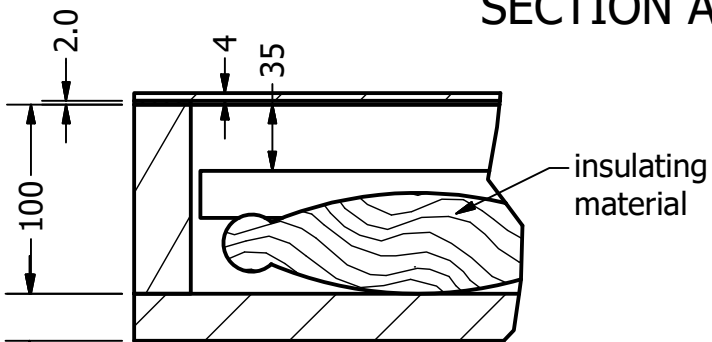


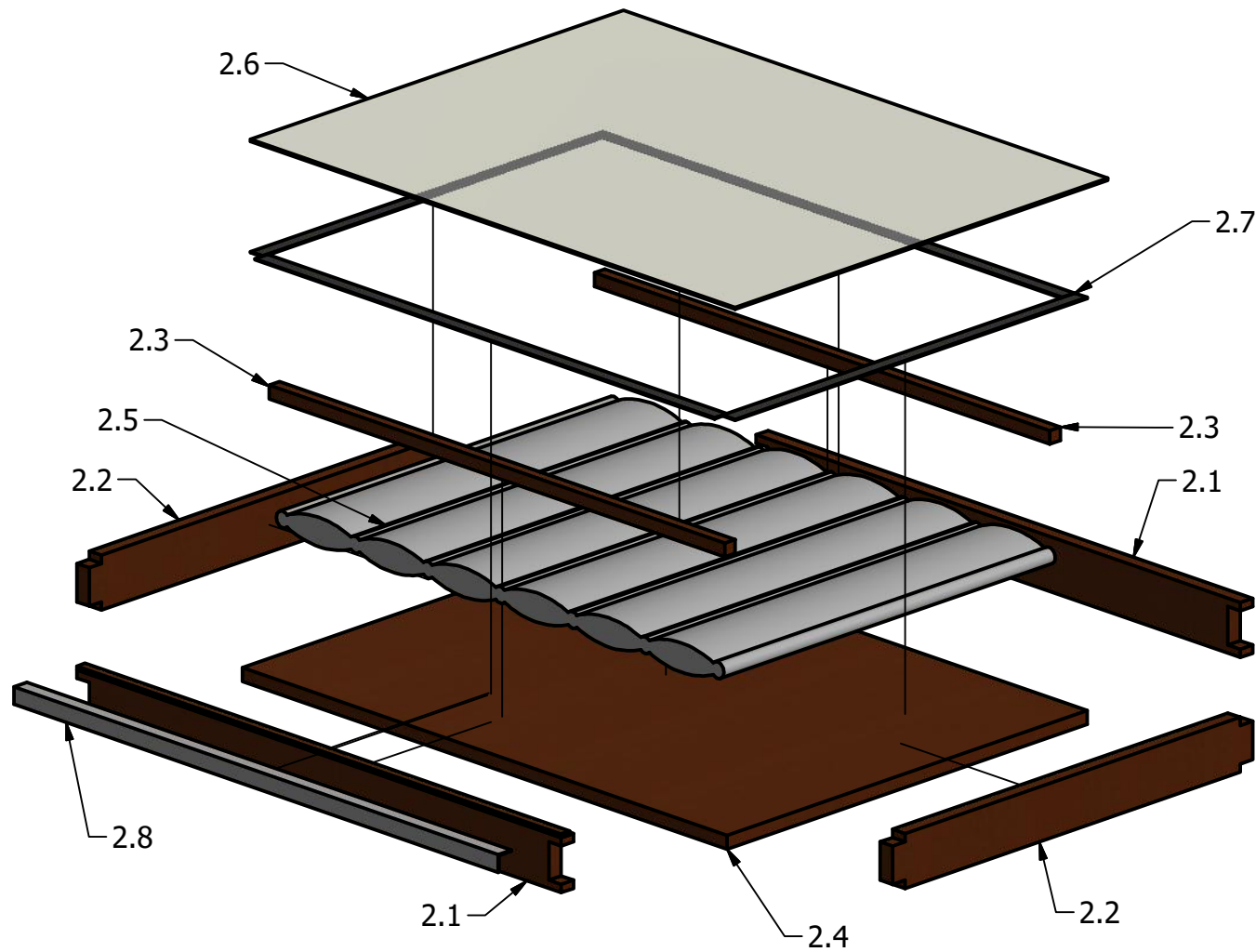


SECTION A-A





DETAIL B

PROJECT		CREATED BY		APPROVED BY	
ZIGZAG SOLAR WATER HEATER		D. MOSQUERA		D. JAEGER	
PART NAME		PART CODE		DOCUMENT TYPE	
collector-box		2.0		ASSEMBLY	
DEVELOPED BY		REDESIGNED BY		LICENCE	
 WOT-UNIVERSITY OF TWENTE		 OPEN SOURCE ECOLOGY GERMANY		FILE NAME	
		CC-BY-SA		oseg_zswh_collector-box.iam	
		SCALE		VERSION	
		1:10		1.1	
		SHEET		QUANTITY	
		16 /54		3	
		DATE			
		4/3/2021			



Zigzag Solar Water Heater
collector box

PROJECT		CREATED BY	APROVED BY		
ZIGZAG SOLAR WATER HEATER		D. MOSQUERA	D. JAEGER		
PART NAME		PART CODE	DOCUMENT TYPE	MATERIAL	
collector-box		2.0	ASSEMBLY		
DEVELOPED BY	REDESIGNED BY	LICENCE	FILE NAME	VERSION	QUANTITY
		CC-BY-SA	oseg_zswh_collector-box.iam	1.1	3
WOT-UNIVERSITY OF TWENTE			SCALE	SHEET	DATE
			1:12	17 /54	4/3/2021