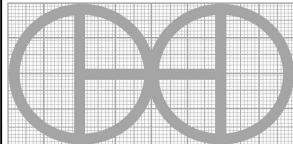
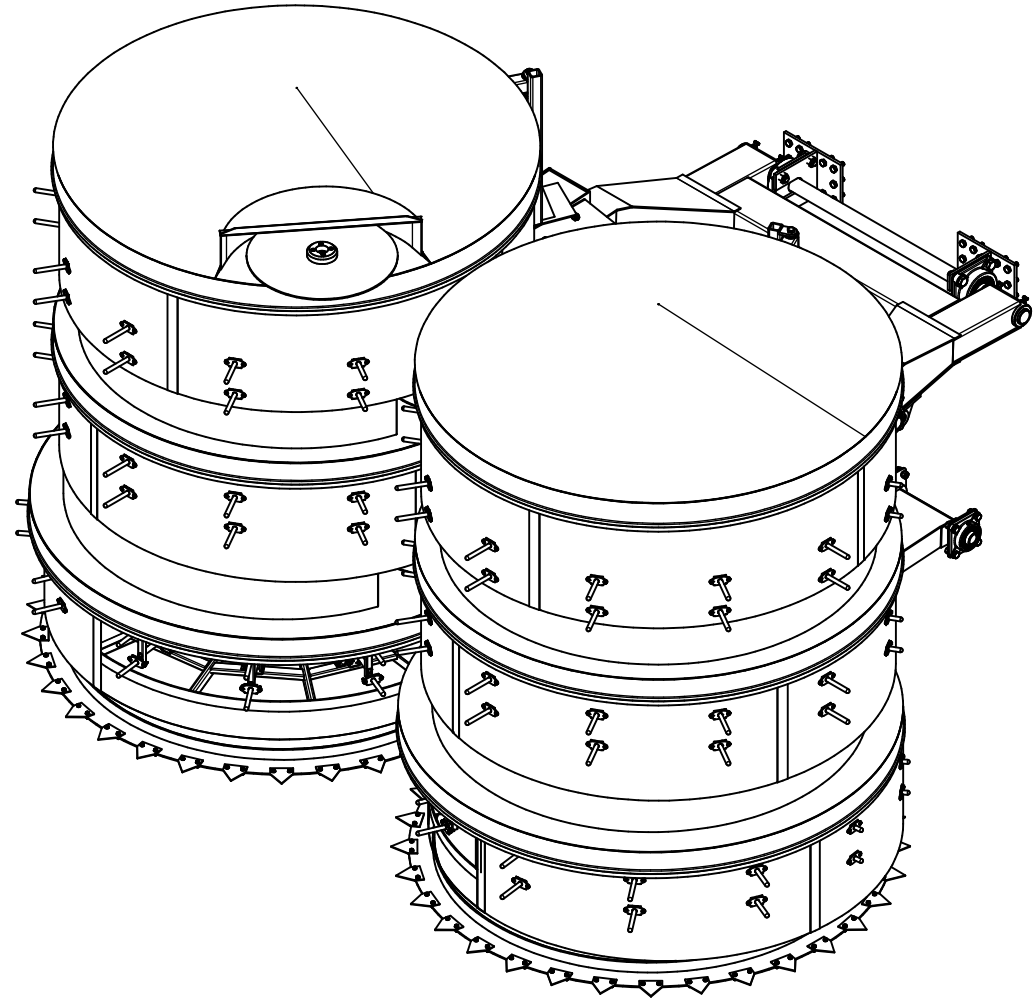
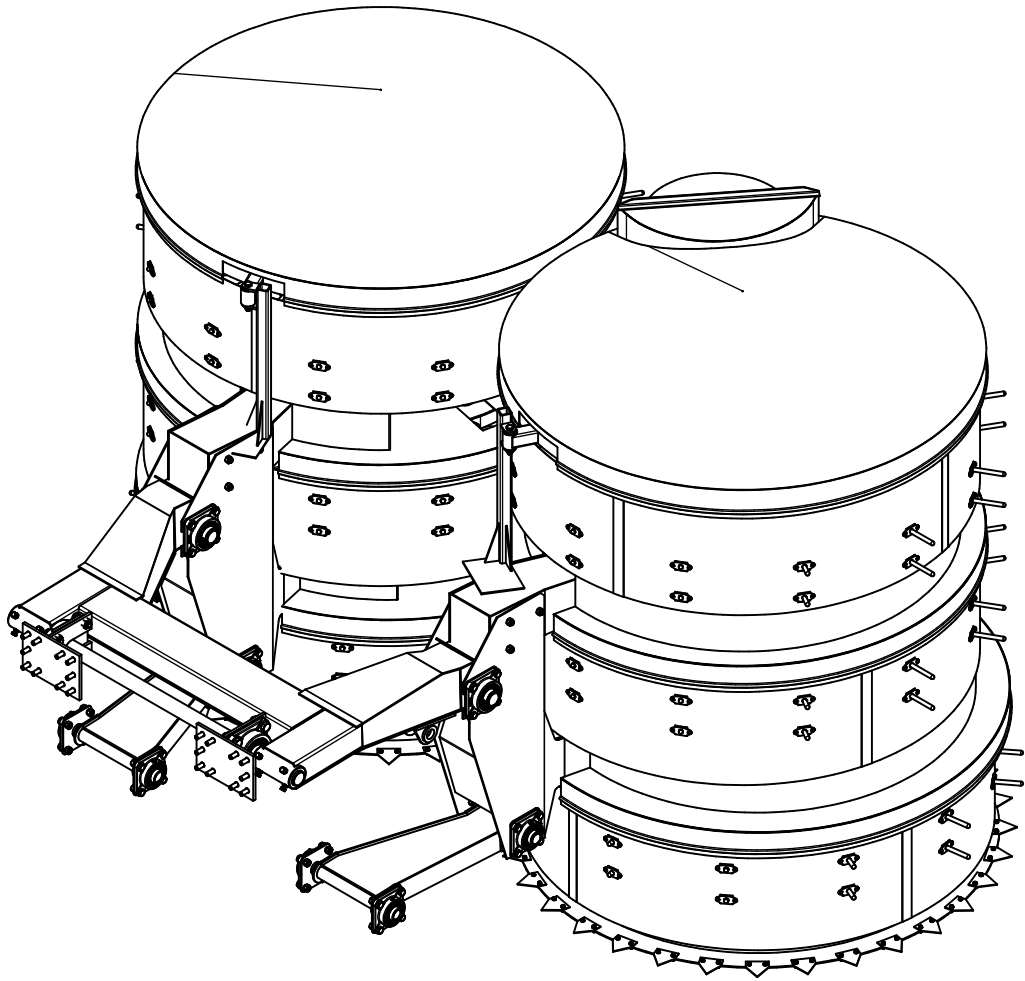
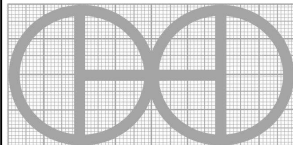


PROJECT	CREATED BY	APPROVED BY	DATE	VERSION
Vertical Drum Hemp Harvester	A. Morillo	D. Jaeger	28-05-2024	0.07
PART NAME	SPECIFICACIONES			CODE
3D views				A1
DEVELOPED BY	REDESIGNED BY	FILENAME	QTY	
		Vertical Drum Hemp Harvester.iam	1	
		LICENSE	DOC. TYPE	SHEET
Hanfasser		CC-BY-SA 4.0	Assembly	1 / 215

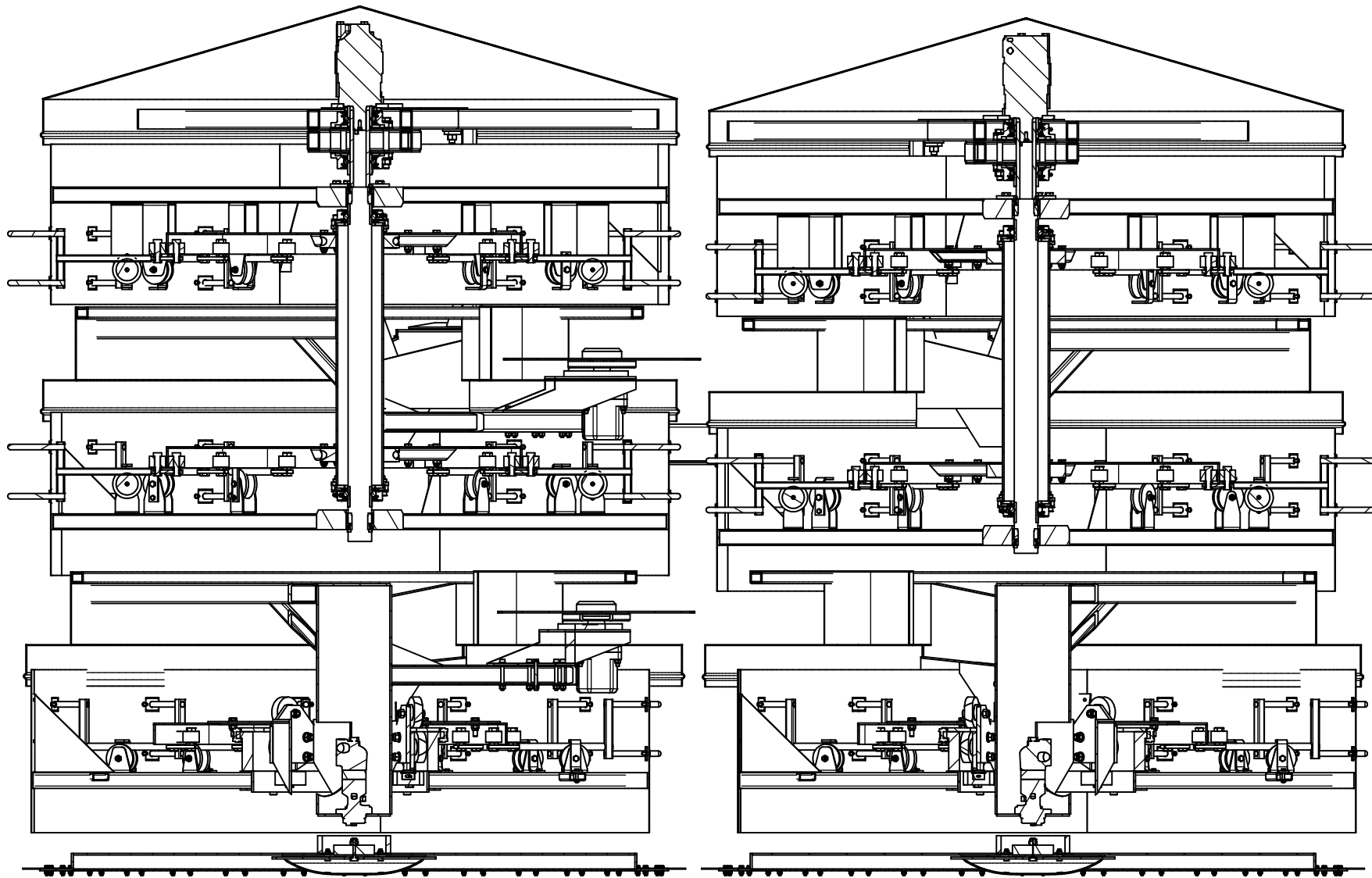
OHO e.V.

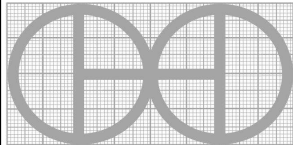
SCALE 1 : 30

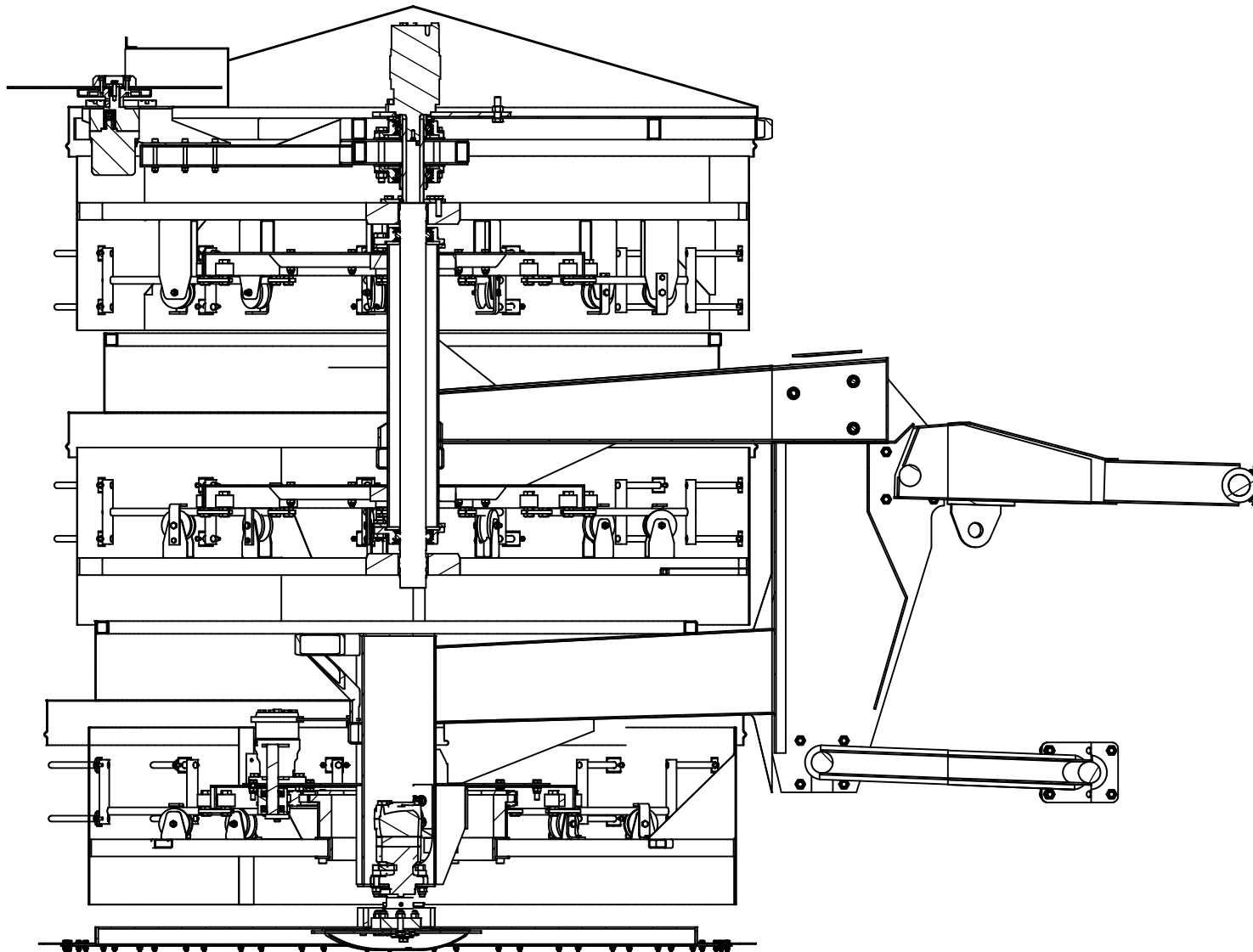


PROJECT	CREATED BY	APPROVED BY	DATE	VERSION
Vertical Drum Hemp Harvester	A. Morillo	D. Jaeger	28-05-2024	0.07
PART NAME	SPECIFICACIONES			CODE
3D views				A1
DEVELOPED BY	REDESIGNED BY	FILENAME	QTY	
		Vertical Drum Hemp Harvester.iam	1	
		LICENSE	DOC. TYPE	SCALE
Hanfasser		CC-BY-SA 4.0	Assembly	1 : 20
			SHEET	2 / 215

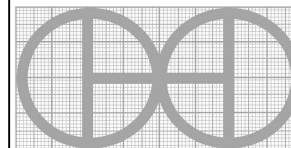
OHO e.V.



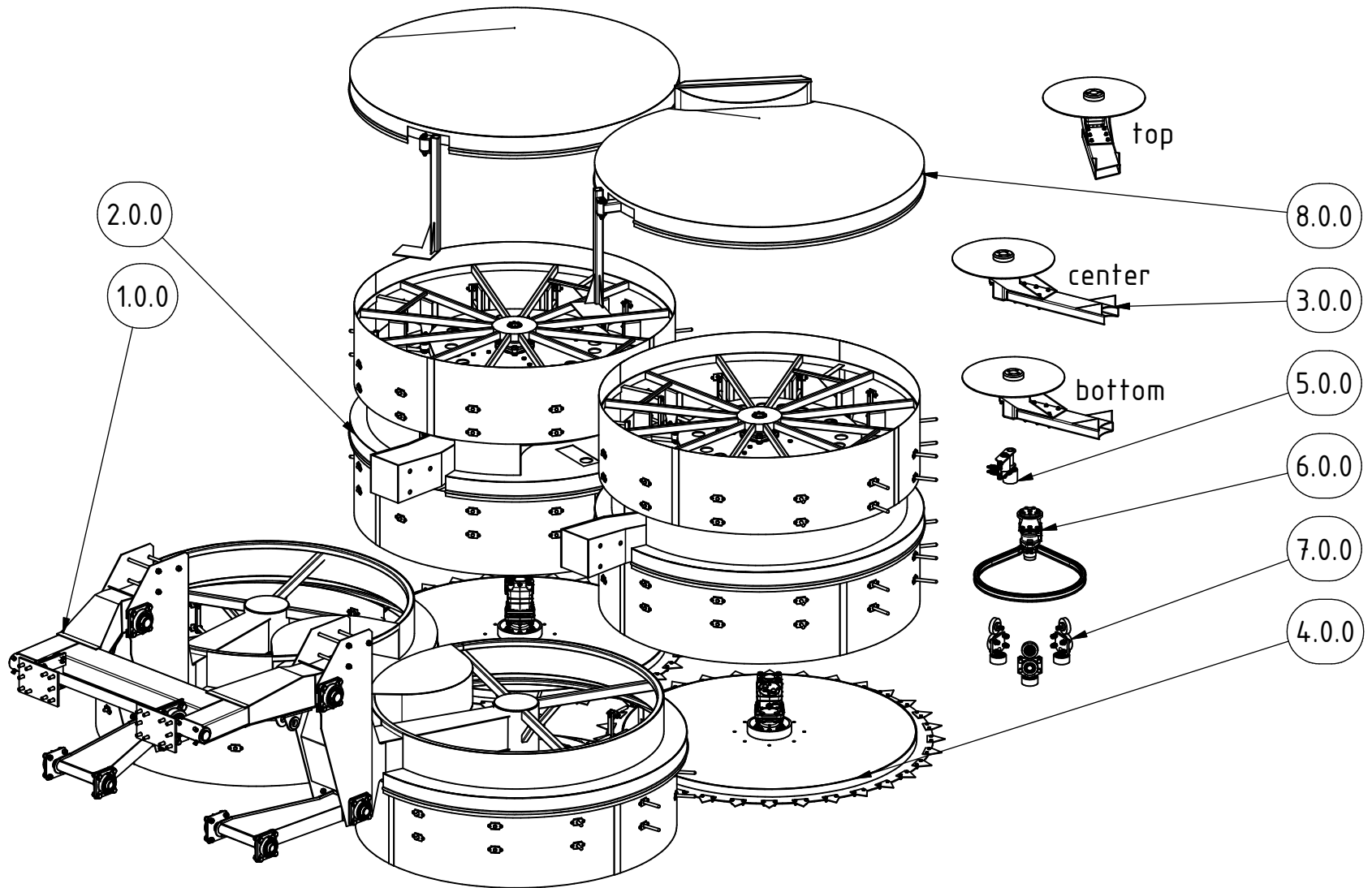
PROJECT	CREATED BY	APPROVED BY	DATE	VERSION
Vertical Drum Hemp Harvester	A. Morillo	D. Jaeger	28-05-2024	0.07
PART NAME	SPECIFICACIONES			CODE
3D views				A1
DEVELOPED BY	REDESIGNED BY	FILENAME	QTY	
		Vertical Drum Hemp Harvester.iam	1	
Hanfasser		LICENSE	DOC. TYPE	SHEET
		CC-BY-SA 4.0	Assembly	3 / 215
		OHO e.V.	SCALE	
			1 : 12	

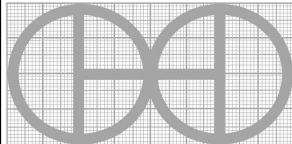


PROJECT	CREATED BY	APPROVED BY	DATE	VERSION
Vertical Drum Hemp Harvester	A. Morillo	D. Jaeger	28-05-2024	0.07
PART NAME	SPECIFICACIONES			CODE
3D views				A1
DEVELOPED BY	REDESIGNED BY	FILENAME	QTY	
		Vertical Drum Hemp Harvester.iam	1	
		LICENSE	DOC. TYPE	SCALE SHEET
Hanfasser		CC-BY-SA 4.0	Assembly	1 : 12 4 /215



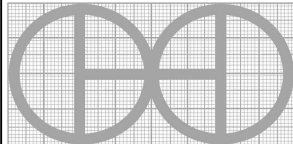
OHO e.V.



PROJECT		CREATED BY		APPROVED BY		DATE		VERSION		
Vertical Drum Hemp Harvester		A. Morillo		D. Jaeger		28-05-2024		0.07		
PART NAME		SPECIFICACIONES							CODE	
Explodewd view									A2	
DEVELOPED BY		REDESIGNED BY		FILENAME				QTY		
Hanfasser				Vertical Drum Hemp Harvester.ipn				1		
		OHO e.V.		LICENSE		DOC. TYPE		SCALE		
				CC-BY-SA 4.0		Assembly		1 : 25		
								SHEET		
								5 / 215		

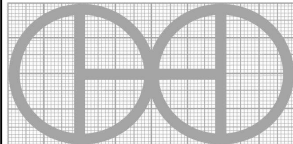
PARTS LIST

POS	QTY	PART NAME	FILE NAME	PART TYPE	SPECIFICATIONS	SHEET
A1	1	3D views	Vertical Drum Hemp Harvester.iam			1
A2	1	Explodewd view	Vertical Drum Hemp Harvester.ipn			5
B		Parts list				6
1.0.0	1	Main frame base and parallelogram swing arm	1.iam			20
1.0.0	1	Main frame base and parallelogram swing arm	1.iam			21
1.0.0	1	Main frame base and parallelogram swing arm	1.iam			22
1.1.0	2	Main frame base	1.1.iam			23
1.1.0	2	Main frame base	1.1.iam			24
1.1.0	2	Main frame base	1.1.iam			25
1.1.1	1	Part 1.1.1	1.1.1.ipt	Production	Steel 235J2	26
1.1.2	1	Part 1.1.2	1.1.1.ipt	Production	Steel 235J2	27
1.1.3	1	Part 1.1.3	1.1.3.ipt	Production	Steel 235J2	28
1.1.4	1	Part 1.1.4	1.1.4.ipt	Production	Steel 235J2	29
1.1.5	1	Part 1.1.5	1.1.5.ipt	Production	Steel 235J2	30
1.1.7	2	Part 1.1.7_1	1.1.7_A.ipt	Production	Steel 235J2	31
1.1.8	2	Part 1.1.8	1.1.8.ipt	Production	Steel 235J2	32
1.1.9	1	Part 1.1.9	1.1.9.ipt	Production	Steel 235J2	33
1.1.10	2	Part 1.1.10	1.1.10.ipt	Production	Steel 235J2	34

PROJECT		CREATED BY		APPROVED BY		DATE		VERSION	
Vertical Drum Hemp Harvester		A. Morillo		D. Jaeger		28-05-2024		0.07	
PART NAME			SPECIFICACIONES					CODE	
Parts list								B1	
DEVELOPED BY			REDESIGNED BY		FILENAME			QTY	
Hanfasser					OHO e.V.				
LICENSE		DOC. TYPE		SCALE		SHEET			
CC-BY-SA 4.0		Parts list				6 /215			

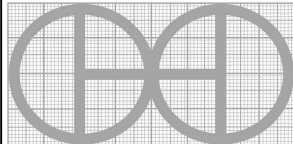
PARTS LIST

POS	QTY	PART NAME	FILE NAME	PART TYPE	SPECIFICATIONS	SHEET
1.1.11	2	Part 1.1.11	1.1.11.ipt	Production	Steel 235J2	35
1.1.12	1	Part 1.1.12	1.1.12.ipt	Production	Steel 235J2	36
1.1.13	1	Part 1.1.13	1.1.13.ipt	Production	Flat bar 50*4 mm	37
1.1.14	3	Part 1.1.14	1.1.14.ipt	Production	Steel 235J2	39
1.1.15	2	Part 1.1.15_3	1.1.15.ipt	Production	Steel 235J2	41
1.1.15	8	Part 1.1.15	1.1.15.ipt	Production	Steel 235J2	40
1.1.15	8	Part 1.1.15	1.1.15.ipt	Production	Steel 235J2	41
1.1.16	1	Part 1.1.16	1.1.16.ipt	Production	Steel 235J2	42
1.1.17	12	Part 1.1.17		Standard	Hex bolt M10*40	
1.1.18	12	Part 1.1.18		Standard	Lock nut M10	
1.1.19	12	Part 1.1.19		Standard	Plain washer D11*20	
1.2.0	1	Upper handlebar	1.2.iam			43
1.2.0	1	Upper handlebar	1.2.ipn			44
1.2.1	1	Part 1.2.1	1.2.1.ipt	Production	Steel 235J2	45
1.2.2	2	Part 1.2.2	1.2.2.ipt	Production	Steel 235J2	46
1.2.3	2	Part 1.2.3	1.2.3.ipt	Production	Steel 235J2	47
1.2.4	2	Part 1.2.4	1.2.4.ipt	Production	Steel 235J2	48
1.2.5	1	Part 1.2.5	1.2.5.ipt	Production	Steel 235J2	49
1.2.6		Part 1.2.6	1.2.6.ipt	Production		50
1.2.6_C	2	Part 1.2.6_C	1.2.6_C.ipt	Production	Steel 235J2	51
1.2.7		Part 1.2.7	1.2.7.ipt	Production		52
1.2.7_C	2	Part 1.2.7_C	1.2.7_C.ipt	Production	Steel 235J2	53
1.2.8	2	Part 1.2.8	1.2.8.ipt	Production	Steel 235J2	54
1.2.9_1	2	Part 1.2.9_1	1.2.9.ipt	Production	Steel 235J2	55
1.2.9_2	4	Part 1.2.9_2	1.2.9_A.ipt	Production	Steel 235J2	56
1.2.10	4	Part 1.2.10	1.2.10.ipt	Production	Steel 235J2	57
1.2.11	4	Upper handlebar_part11	1.2.11.ipt	Production	Steel 235J2	58
1.2.12	2	Upper handlebar_part11	1.2.12.ipt	Production	Steel 235J2	59
1.2.13	2	Upper handlebar_part11	1.2.13.ipt	Production	Steel 235J2	60
1.3.0	1	Axle	1.3.ipt	Production	Steel 235J2	61

PROJECT		CREATED BY		APPROVED BY		DATE		VERSION	
Vertical Drum Hemp Harvester		A. Morillo		D. Jaeger		28-05-2024		0.07	
PART NAME				SPECIFICACIONES				CODE	
Parts list								B2	
DEVELOPED BY			REDESIGNED BY			FILENAME			QTY
Hanfasser						OHO e.V.			
LICENSE		DOC. TYPE		SCALE		SHEET			
CC-BY-SA 4.0		Parts list				7 / 215			

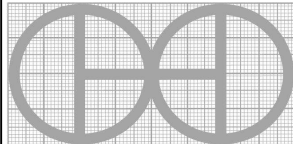
PARTS LIST

POS	QTY	PART NAME	FILE NAME	PART TYPE	SPECIFICATIONS	SHEET
1.4.0	4	Flange bearing UCF 310		Buy	UCF 310	
1.5.0	2	Lower control arm	1.5.iam			62
1.5.0	2	Lower control arm	1.5.ipn			63
1.5.1	2	Part 1.5.1	1.5.1.ipt	Production	Steel 235J2	64
1.5.3	2	Part 1.5.3	1.5.3.ipt	Production	Steel 235J2	65
1.5.4	4	Part 1.5.4	1.5.4.ipt	Production	Steel 235J2	66
1.5.5	4	Part 1.5.5	1.5.5.ipt	Production	Steel 235J2	67
1.5.6	1	Part 1.5.6	1.5.6.ipt	Production	Steel 235J2	68
1.5.7	1	Part 1.5.7	1.5.7.ipt	Production	Steel 235J2	69
1.6.0	2	Flange bearing UCF 208		Buy	UCF 208	
1.7.0	8	Reinforcement plate 2	1.7.ipt	Production	Steel 235J2, For Bearing UCF 208	70
1.8.0	4	Reinforcement plate	1.8.ipt	Production	Steel 235J2, for bearing UCF 210	71
1.9.0	2	Reinforcement plate	1.9.ipt	Production	Steel 235J2, for bearing UCF 310	72
1.10.0	8	Flange bearing UCF 210		Buy	UCF 210	
1.11.0	2	Bracket for flange mounting	1.11.iam			73
1.11.0	2	Bracket for flange mounting	1.11.ipn			74
1.11.1	1	Part 1.11.1	1.11.1.ipt	Production	Steel 235J2	75
1.11.2	1	Part 1.11.2	1.11.2.ipt	Production	Steel 235J2	76
1.12.0	8	Screw M16		Standard	M20*55	
1.13.0	68	Screw M14		Standard	M14*45	
1.16.0	8	Clamping screw		Standard	M10*30	
1.17.0	8	Hex nut M20		Standard	M20	
1.18.0	8	Hex nut M10		Standard	M10	
1.20.0	60	Hex nut M14		Standard	M14	
1.24.0	6	Thread M14	1.24.ipt	Production	Treaded bar M14*240 NC	77
1.25.0	1	Feeding drums 1	1.25.iam			78
1.25.0	2	Feeding drums 1	1.25.ipn			79
1.25.1	1	Part 1.25.1	1.25.1.ipt	Production	Sheet 2mm	80
1.25.3	1	Part 1.25.3	1.25.3.ipt	Production	Sheet 2mm	81
1.25.4	1	Part 1.25.4	1.25.4.ipt	Production	Sheet 2mm	82
1.25.5	1	Part 1.25.5	1.25.5.ipt	Production	Sheet 2mm	83

PROJECT		CREATED BY	APPROVED BY	DATE	VERSION
Vertical Drum Hemp Harvester		A. Morillo	D. Jaeger	28-05-2024	0.07
PART NAME		SPECIFICACIONES			CODE
Parts list					B3
DEVELOPED BY		REDESIGNED BY	FILENAME		QTY
Hanfasser			OHO e.V.		
		LICENSE	DOC. TYPE	SCALE	SHEET
		CC-BY-SA 4.0	Parts list		8 /215

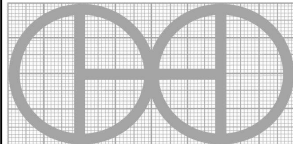
PARTS LIST

POS	QTY	PART NAME	FILE NAME	PART TYPE	SPECIFICATIONS	SHEET
1.25.6	3	Part 1.25.6	1.25.6.ipt	Production	Rectangle profile 50*30*3 mm	84
1.25.7	1	Part 1.25.7	1.25.7.ipt	Production	Square profile 30*30*3 mm	85
1.25.8	3	Part 1.25.8	1.25.8.ipt	Production	Square profile 30*30*3 mm	86
1.26.0	2	Feed drum bottom	1.26.iam			87
1.26.1	1	Inner ring 1	1.26.3.ipt	Production	Steel 235J2	89
1.26.2	3	Inner ring 2	1.26.9.ipt	Production	Steel 235J2	90
1.26.3	12	Structure support 1	1.26.4	Production	Rectangle profile 40*20*3 mm	91
1.26.4	12	Structure support 2	1.26.6	Production	Rectangle profile 40*20*3 mm	92
1.26.5	1	Outer ring	1.26.5	Production	Flat bar 40*4 mm	93
1.26.6	4	Metallic cover 1	2.20.5.ipt	Production	Sheet 1mm	94
1.26.7	4	Thin sheet reinforcement	1.26.11.ipt	Production	Sheet 1mm	95
1.26.8	1	Sprocket wheel	1.26.1.ipt	Production	For chain 16B-1-70, Z=64, Steel 235J2	96
1.26.9	8	Socket bolts M12		Standard	Socket head bolt M12*160 NC	
1.26.10	12	Pulley support	1.26.7.ipt	Production	Steel 235J2	97
1.26.11	12	Pulley	2.20.9.ipt	Buy	D 60, d 9, th 26mm, Teflon?	
1.26.12	12	Pulley hook	1.26.8.ipt	Production	Flat bar 25*5 mm	98
1.26.13	12	Pulley shaft		Standard	Hex head bolt M8*60 NC	
1.26.14	12	Hook bolt		Standard	Hex head bolt M6*60 NC	
1.26.15	12	Pulley nut		Standard	Lock nut M8 NC	
1.26.16	12	Hook nut		Standard	Hex thin nut M6 NC	
1.26.17	24	Tine Bush		Buy	Aluminium?	
1.26.18	48	Tine bush bolt		Standard	Countersunk bolt M6*20 NC	
1.26.19	48	Tine bush nut		Standard	Hex nut M6 NC	
1.27.0	12	Lower Fork	1.27.ipn			99
1.27.1	1	Part 1.27.1	1.27.2	Production	Square profile 20*2 mm	101
1.27.2	1	Part 1.27.2	1.27.1	Production	Round tube D17*2 mm	102
1.27.3	1	Part 1.27.3	1.27.4	Production	Steel 235J2	103
1.27.4	2	Part 1.27.4	1.27.3	Production	Round bar D 14mm	104
1.27.5	2	Fork roller		Buy	D 40 * d 15 * h 28 mm, Teflon?	
1.27.6	2	Roller shaft		Standard	Hex head bolt M14*50 NC	
1.27.7	4	Roller nut		Standard	Hex thin nut M14 NC	

PROJECT		CREATED BY	APPROVED BY	DATE	VERSION
Vertical Drum Hemp Harvester		A. Morillo	D. Jaeger	28-05-2024	0.07
PART NAME		SPECIFICACIONES			CODE
Parts list					B4
DEVELOPED BY		REDESIGNED BY	FILENAME		QTY
Hanfasser					
		OHO e.V.	LICENSE	DOC. TYPE	SCALE
			CC-BY-SA 4.0	Parts list	
					SHEET
					9 /215

PARTS LIST

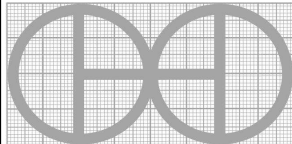
POS	QTY	PART NAME	FILE NAME	PART TYPE	SPECIFICATIONS	SHEET
2.0.0	2	Main frame top cpl with attachments	2.iam			105
2.0.0	2	Main frame top cpl with attachments	2.iam			106
2.0.0	2	Main frame top cpl with attachments	2.ipn			107
2.1.0	1	Main frame top	2.1.iam			108
2.1.0	2	Main frame top	2.1.ipn			109
2.1.1	2	Part 2.1.1	2.1.1.ipt	Production	Steel 235J2	110
2.1.2	1	Part 2.1.2	2.1.2.ipt	Production	Steel 235J2	111
2.1.3	1	Part 2.1.3	2.1.3.ipt	Production	Steel 235J2	112
2.1.4	1	Part 2.1.4	2.1.4.ipt	Production	Steel 235J2	113
2.1.5	1	Part 2.1.5	2.1.5.ipt	Production	Round tube D120*4 mm	114
2.1.6	2	Part 2.1.6	2.1.6.ipt	Production	Steel 235J2	115
2.1.7	2	Part 2.1.7	2.1.7.ipt	Production	Flat bar 50*4 mm	116
2.1.8	2	Part 2.1.8	2.1.8.ipt	Production	Steel 235J2	117
2.1.9	4	Part 2.1.9	2.1.9.ipt	Production	Cast iron (*)	118
2.1.10	4	Part 2.1.10	2.1.10.ipt	Production	Square profile 30*3 mm	119
2.1.11	3	Part 2.1.11	2.1.11.ipt	Production	Round tube D28*3 mm	120
2.1.12	4	Part 2.1.12	2.1.12.ipt	Production	Square profile 30*3 mm	121
2.1.13	16	Part 2.1.13		Standard	Hex bolt M10*50	
2.1.14	4	Part 2.1.14		Standard	Lock nut M10	
2.1.15	4	Part 2.1.15		Standard	Hexagon bolt M12*65	
2.1.16	16	Part 2.1.16		Standard	Lock nut M12	
2.1.17	2	Part 2.1.17	2.1.17.ipt	Production	Steel 235J2	122
2.1.18	2	Part 2.1.18	2.1.18.ipt	Production	Steel 235J2	123
2.4.0	2	Clamping set		Buy	Clampex KTR 200_TLK 130 40 x 65	
2.5.0	2	Flange bearing		Buy	UCF 210	

PROJECT		CREATED BY	APPROVED BY	DATE	VERSION
Vertical Drum Hemp Harvester		A. Morillo	D. Jaeger	28-05-2024	0.07
PART NAME		SPECIFICACIONES			CODE
					B5
DEVELOPED BY		REDESIGNED BY	FILENAME		QTY
Hanfasser					
		LICENSE	DOC. TYPE	SCALE	SHEET
		CC-BY-SA 4.0			10 /215

OHO e.V.

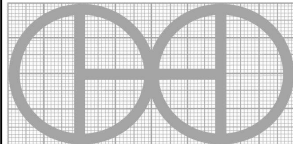
PARTS LIST

POS	QTY	PART NAME	FILE NAME	PART TYPE	SPECIFICATIONS	SHEET
2.6.0	1	Axle for drum mounting diam. 40	2.6.ipt	Production	Steel 235J2	124
2.8.0	48	Sliding piece		Buy	Follower roller, De:40mm, h:28mm, Teflon?	
2.9.0	24	Tine fork	2.9.iam			125
2.9.0	48	Tine fork	2.9.ipn			126
2.9.1	1	Part 2.9.1	2.9.1.ipt	Production	Square profile 20*2 mm	127
2.9.2	1	Part 2.9.2	2.9.2.ipt	Production	Round tube D17*2 mm	128
2.9.3	1	Part 2.9.3	2.9.3.ipt	Production	Steel 235J2	129
2.10.0	48	Tine bush		Buy	Aluminum?	
2.11.0	48	Tines	2.11.ipt	Production	Round bar D 14mm	130
2.12.0	96	Hexagon nut M14		Standard	M14	
2.13.0	48	Hexagon bolt M14_50		Standard	Hex head bolt M14*50 NC	
2.16.0	96	Hexagon nut M 6		Standard	M6	
2.17.0	96	Phillips screw M6x20.		Standard	M6 x 20	
2.20.0	1	Feed drum_center cpl	2.20.iam			131
2.20.0	2	Feed drum_center cpl	2.20.ipn			132
2.20.1	12	Part 2.20.1	2.20.1.ipt	Production	Rectangle profile 40*20*2 mm	133
2.20.2	1	Part 2.20.2	2.20.2.ipt	Production	Flat bar 40*5 mm	134
2.20.3	4	Part 2.20.3	2.20.3.ipt	Production	Square profile 15*2 mm	135
2.20.4	1	Part 2.20.4	2.20.4.ipt	Production	Cast iron (*)	136
2.20.5	4	Part 2.20.5	2.20.5.ipt	Production	Sheet 1mm	137
2.20.6	4	Part 2.20.6	2.20.6.ipt	Production	Sheet 1mm	138
2.20.7	12	Part 2.20.7		Standard	Lock nut M8	
2.20.8	12	Part 2.20.8	2.20.8.ipt	Production	Steel 235J2	139
2.20.9	12	Part 2.20.9		Buy	Wheel, Diameter 60, thickness 26, Hole: 8, Teflon?	
2.20.10	12	Part 2.20.10	2.20.10.ipt	Production	Flat bar 25*5 mm	140
2.20.11	12	Part 2.20.11		Standard	Hex bolt M8*60	

PROJECT		CREATED BY	APPROVED BY	DATE	VERSION
Vertical Drum Hemp Harvester		A. Morillo	D. Jaeger	28-05-2024	0.07
PART NAME		SPECIFICACIONES			CODE
					B6
DEVELOPED BY		REDESIGNED BY	FILENAME		QTY
Hanfasser			OHO e.V.		
		LICENSE	DOC. TYPE	SCALE	SHEET
		CC-BY-SA 4.0			11 /215

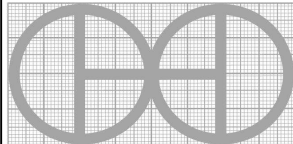
PARTS LIST

POS	QTY	PART NAME	FILE NAME	PART TYPE	SPECIFICATIONS	SHEET
2.20.12	12	Part 2.20.12		Standard	Hex bolt M6*16	
2.20.13	12	Part 2.20.13		Standard	Hex nut M6	
2.21.0	1	Feed drum_top cpl	2.21.iam			141
2.21.0	2	Feed drum_top cpl	2.21.ipn			142
2.21.1	12	Part 2.21.1	2.21.1.ipt	Production	Rectangle profile 40*20*2 mm	143
2.21.2	1	Part 2.21.2	2.21.2.ipt	Production	Flat bar 40*5 mm	144
2.21.3	4	Part 2.21.3	2.21.3.ipt	Production	Square profile 15*2 mm	145
2.21.4	1	Part 2.21.4	2.21.4.ipt	Production	Cast Iron (*)	146
2.21.5	4	Part 2.21.5	2.21.5.ipt	Production	Sheet 1mm	147
2.21.6	4	Part 2.21.6	2.21.6.ipt	Production	Sheet 1mm	148
2.21.7	12	Part 2.21.7		Standard	Lock nut M8	
2.21.8	12	Part 2.21.8	2.21.8.ipt	Production	Steel 235J2	149
2.21.9	12	Part 2.21.9		Buy	Wheel, Diameter 60, thickness 26, Hole: 8, Teflon?	
2.21.10	12	Part 2.21.10	2.21.10.ipt	Production	Flat bar 25*5 mm	150
2.21.11	12	Part 2.21.11		Standard	Hex bolt M8*60	
2.21.12	12	Part 2.21.12		Standard	Hex bolt M6*16	
2.21.13	12	Part 2.21.13		Standard	Hex nut M6	
2.22.0	8	Hexagon head screw M 16		Standard	Hex bolt M16*40	
2.23.0	8	Hexagon nut M16		Standard	Hex nut M16 NC	
2.24.0	1	Feeding drums 2	2.24.iam			151
2.24.0	2	Feeding drums 2	2.24.ipn			152
2.24.1	1	Part 2.24.1	2.24.1.ipt	Production	Sheet 2mm	153
2.24.3	1	Part 2.24.3	2.24.3.ipt	Production	Sheet 2mm	154
2.24.4	1	Part 2.24.4	2.24.4.ipt	Production	Sheet 2mm	155
2.24.5	1	Part 2.24.5	2.24.5.ipt	Production	Sheet 2mm	156
2.24.6	3	Part 2.24.6	2.24.6.ipt	Production	Rectangle profile 50*30*3 mm	157
2.24.7	1	Part 2.24.7	2.24.7.ipt	Production	Square profile 30*3 mm	158
2.24.8	3	Part 2.24.8	2.24.8.ipt	Production	Square profile 30*3 mm	159

PROJECT		CREATED BY	APPROVED BY	DATE	VERSION
Vertical Drum Hemp Harvester		A. Morillo	D. Jaeger	28-05-2024	0.07
PART NAME		SPECIFICACIONES			CODE
Parts list					B7
DEVELOPED BY		REDESIGNED BY	FILENAME		QTY
Hanfasser			OHO e.V.		
		LICENSE	DOC. TYPE	SCALE	SHEET
		CC-BY-SA 4.0	Parts list		12 /215

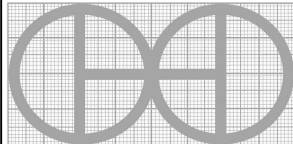
PARTS LIST

POS	QTY	PART NAME	FILE NAME	PART TYPE	SPECIFICATIONS	SHEET
3.0.0	3	Circular saws	3.iam			160
3.1.0	1	Circular saw fastening lower part	3.1.ipt	Production	Steel 235J2	163
3.2.0	1	Motor mounting plate	3.2.ipt	Production	Steel 235J2	164
3.3.0	1	Console for circular saw	3.3.iam		Steel 235J2	165
3.3.0	6	Console for circular saw	3.3.ipn	Production	Steel 235J2	166
3.3.1	2	Plate 3.3.1	3.3.1.ipt	Production	Steel 235J2	167
3.3.2	1	Plate 3.3.2	3.3.2.ipt	Production	Steel 235J2	168
3.3.3	1	Plate 3.3.3	3.3.3.ipt	Production	Steel 235J2	169
3.4.0	1	Circular saw attachment upper part	3.4.ipt	Production	Steel 235J2	170
3.5.0	1	U Washer	3.5.ipt	Production	Steel 235J2	171
3.6.0	1	Bearing support		Buy	Front bearing cpl. SUR/2 Shaft diam. 22. Includes Angular contact ball bearing 3208 B 2 RSR TVH	
3.7.0	1	Gear motor		Buy	KV 2 M/17-K 1:8 D=36,5	
3.8.0	1	Clutch hub		Buy	BF 2T Z=15 (1 :8)	
3.9.0	1	Hex Nut		Standard	Hex Nut M12 NC	
3.10.0	1	Flat washer		Standard	for M12	
3.11.0	1	Circular saw blade		Buy	type 05 carbide tipped diam. 500 Z 144	
3.12.0	4	Lock Nut M8		Standard	Lock Nut M8 NC	
3.13.0	1	Parallel key 6x		Standard	Parallel key 6x, 6*6*15	
3.14.0	14	Hex socket screw		Standard	Socket head bolt M8x100 NC	
3.15.0	1	Hex bolt		Standard	Hex head bolt M8x30 NC	
3.16.0	4	Socket Hex bolt		Standard	Socket head bolt M6x30 NC	
3.17.0	6	Socket Hex bolt		Standard	Socket head bolt M8x70 NC	
3.18.0	6	Hex Nut		Standard	Hex nut M8 NC	
3.19.0	10	Plain washer		Standard	For M8	
3.20.0	6	Spring Washer		Standard	Din 127 A8	
3.21.0	1	Saw support	3.21.ipt	Production	Rectangle profile 130*50*4 mm	172
3.22.0	2	Support reinforcement	3.22.ipt	Production	Steel 235J2	173

PROJECT		CREATED BY	APPROVED BY	DATE	VERSION
Vertical Drum Hemp Harvester		A. Morillo	D. Jaeger	28-05-2024	0.07
PART NAME		SPECIFICACIONES			CODE
Parts list					B8
DEVELOPED BY		REDESIGNED BY	FILENAME		QTY
Hanfasser			OHO e.V.		
		LICENSE	DOC. TYPE	SCALE	SHEET
		CC-BY-SA 4.0	Parts list		13 /215

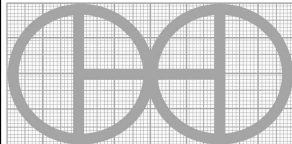
PARTS LIST

POS	QTY	PART NAME	FILE NAME	PART TYPE	SPECIFICATIONS	SHEET
4.0.0	2	Mowing knife discs	4.iam			174
4.1.1	1	Part 4.1.1	4.1.2.ipt	Production	Steel 235J2	176
4.1.2	1	Part 4.1.2	4.1.3.ipt	Production	Steel 235J2	177
4.1.3	1	Part 4.1.3	4.1.4.ipt	Production	Flat bar 40*5 mm	178
4.1.4	1	Part 4.1.4	4.1.5.ipt	Production	Steel 235J2	179
4.1.5	1	Part 4.1.5	4.1.1.ipt	Production	Steel 235J2	180
4.2.1	1	Part 4.2.1	4.1.6.ipt	Production	Steel 235J2	181
4.2.2	1	Part 4.2.2	4.1.7.ipt	Production	Steel 235J2	182
4.3.0	1	Drive motor OMT 200		Buy	OMT 200 151B3001 2.1	
4.5.0	1	Adapter flange	4.4.ipt	Production	Steel 235J2	183
4.6.0	64	Hexagon screw		Standard	Hex head bolt M6*20 NC	
4.7.0	32	Knife segment		Buy	Edge with serrated teeth	
4.8.0	64	Hexagon nut M6 with clamping part		Standard	Lock nut M6 NC	
4.9.0	4	Bolt M 12		Standard	Socket head bolt M12*50 NC	
4.10.0	4	Hexagon nut M 12		Standard	Lock nut M12 NC	
4.11.0	8	Hexagon head screw M 12 x 40		Standard	Hex heads bolt M12*40 NC	
4.12.0	4	Hexagon socket screw		Standard	Socket head bolt M12*25 NC	
4.13.0	1	U-Washer special	4.13.ipt	Production	Steel 235J2	184
4.14.0	1			Standard	Hex head bolt M12*40 NC	
4.15.0	8	Flat washer 4.15		Standard	Flat washer For M12	
4.16.0	4	Lock nut M12		Standard	Lock nut M12 NC	
4.17.0	10	Spring washer		Standard	Spring washer for M12	
4.18.0	4	Hex set screw		Standard	Hex set screw M8*25 NC	
4.19.0	128	Flat washer 4.19		Standard	Flat washer For M16	

PROJECT		CREATED BY		APPROVED BY		DATE		VERSION	
Vertical Drum Hemp Harvester		A. Morillo		D. Jaeger		28-05-2024		0.07	
PART NAME				SPECIFICACIONES				CODE	
Parts list								B9	
DEVELOPED BY			REDESIGNED BY			FILENAME			QTY
Hanfasser						OHO e.V.			
LICENSE		DOC. TYPE		SCALE		SHEET			
CC-BY-SA 4.0		Parts list				14 / 215			

PARTS LIST

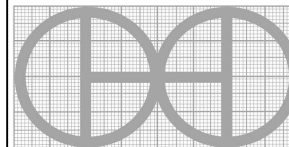
POS	QTY	PART NAME	FILE NAME	PART TYPE	SPECIFICATIONS	SHEET
5.0.0	2	Tensioning pulley for toothed belt	5.iam			185
5.1.1	1	Swing arm Part1	5.1.3.ipt	Production	Steel 235J2	187
5.1.2	1	Swing arm Part2	5.1.2.ipt	Production	Steel 235J2	188
5.1.3	2	Swing arm Part3	5.1.1.ipt	Production	Steel 235J2	189
5.2.0	1	Roller	5.2.ipt	Production	Steel 235J2	190
5.3.0	2	Ball bearing 6006		Buy	Deep groove ball bearing 6006 2 RS	
5.4.0	2	Seeger ring for shaft A30		Standard	Seeger ring A30	
5.5.0	2	Bush (polyamide)	5.5.ipt	Production	Polyamide	191
5.6.0	2	Hexagon nut M 12		Standard	Hex nut M12 NC	
5.7.0	1	Hexagon nut M 12 - 2		Standard	Hex thin nut M12 NC	
5.8.0	1	U-Washer special	5.8.ipt	Production	Steel 235J2	192
5.9.0	1	5.9.ipt	Bearing bolt	Production	Steel 235J2	193
5.10.0	2	Tension spring		Buy	D 10, d 2, p 3, L 100 mm	
5.11.0	1	Stud bolt M 12		Standard	Hex head bolt M12*80 NC	
5.12.0	1	Hexagon head screw		Standard	Hex head bolt M12*120 NC	

PROJECT		CREATED BY		APPROVED BY		DATE		VERSION	
Vertical Drum Hemp Harvester		A. Morillo		D. Jaeger		28-05-2024		0.07	
PART NAME				SPECIFICACIONES				CODE	
Parts list								B10	
DEVELOPED BY			REDESIGNED BY			FILENAME		QTY	
Hanfasser						OHO e.v.			
LICENSE		DOC. TYPE		SCALE		SHEET			
CC-BY-SA 4.0		Parts list				15 /215			

PARTS LIST

POS	QTY	PART NAME	FILE NAME	PART TYPE	SPECIFICATIONS	SHEET
6.0.0	2	Drive of the lower feed drum	6.iam			194
6.1.0	1	Drive motor OMR50	6.1.ipt	Buy	Drive motor OMR50 151-0210 with 32 diam. shaft, includes rounded key 10x8x45	
6.2.0	1	Toothed pulley	Roller Chain Sprocket1	Buy	For chain 16B-1-70, Z=9	
6.3.0	1	Roller chain AT 20		Buy	Roller chain AT 20 1780 X 50	
6.4.0	1	O-ring 100x4		Buy		
6.5.1	1	Motor mounting piece	6.5_1.ipt	Production	Steel 235J2	196
6.5.2	1	Motor mounting piece - support	6.5_2.ipt	Production	Steel 235J2	197
6.6.0						
6.7.0	1	U-Washer	6.7.ipt	Production	Steel 235J2	198
6.8.1	1	Hexagon bolt M8		Standard	Hex head bolt M8*40 NC	
6.8.2	1	Flat washer M8		Standard	Flat washer for M8	
6.9.0	3	Hexagon bolt M10		Standard	Hex head bolt M10*25 NC	
6.10.1	3	Hexagon nut M 10		Standard	Hex nut M10 NC	
6.10.2	3	Spring washer M10		Standard	Spring washer for M10	
6.11.0	2	Hexagon bolt M12		Standard	Hex head bolt M12*40 NC	
6.12.1	2	Hexagon nut M12		Standard	Lock Nut M12 NC	
6.12.2	2	Spring washer M12		Standard	Spring washer for M12	

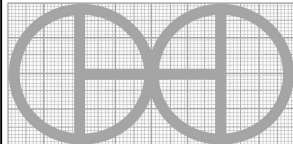
PROJECT	CREATED BY	APPROVED BY	DATE	VERSION
Vertical Drum Hemp Harvester	A. Morillo	D. Jaeger	28-05-2024	0.07
PART NAME	SPECIFICACIONES			CODE
Parts list				B11
DEVELOPED BY	REDESIGNED BY	FILENAME		QTY
		LICENSE	DOC. TYPE	SCALE
		CC-BY-SA 4.0	Parts list	
				SHEET
				16 /215



OHO e.V.

PARTS LIST

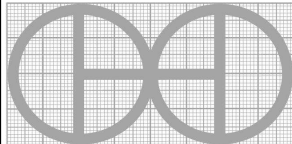
POS	QTY	PART NAME	FILE NAME	PART TYPE	SPECIFICATIONS	SHEET
7.0.0	6	Bearing of the lower infeed drum	7.ipn			199
7.1.0	1	Axle carrier	7.1.ipt	Production	Steel 235J2	201
7.2.0	1	Eccentric pin axial	7.2.ipt	Production	Steel 235J2	202
7.3.0	2	Roller	7.3.ipt	Production	Steel 235J2	203
7.4.0	1	Eccentric pin radial	7.2.ipt	Production	Steel 235J2	204
7.5.0	1	Roller2	7.5.ipt	Production	Steel 235J2	205
7.6.0	1	Ball bearing 6206		Buy	Deep groove ball bearing 6206 2 RS	
7.7.0	1	Seeger ring for bore I 62		Standard	Seeger ring for bore I 62	
7.8.0	1	Seeger ring for shaft A 30		Standard	Seeger ring for shaft A 30	
7.9.0	4	Hexagon head screw M 12		Standard	Hex head screw M12*40 NC	
7.10.0	1	Seeger ring for bore I 55		Standard	Seeger ring for bore I 55	
7.11.0	1	Ball bearing 6006		Buy	Deep groove ball bearing 6006 2 RS	
7.12.0	1	Seeger ring for shaft A 30		Standard	Seeger ring for shaft A 30	
7.13.0	5	Nut M12		Standard	Lock nut M12	
7.14.0	1	Seeger ring for bore I 55		Standard	Seeger ring for bore I 55	
7.15.0	1	Ball bearing 6006		Buy	Deep groove ball bearing 6006 2 RS	
7.16.0	1	Seeger ring for shaft A 30		Standard	Seeger ring for shaft A 30	
7.17.0	1	Bolt M12		Standard	Socket head bolt M12*60 NC	
7.18.0	1	Hexagon bolt M12		Standard	Hex head bolt M12*60 NC	
7.19.0	6	Flat washer M12		Standard	Flat washer for M6	

PROJECT Vertical Drum Hemp Harvester		CREATED BY A. Morillo	APPROVED BY D. Jaeger	DATE 28-05-2024	VERSION 0.07
PART NAME		SPECIFICACIONES			CODE B12
DEVELOPED BY Hanfasser		REDESIGNED BY 	FILENAME		QTY
LICENSE CC-BY-SA 4.0		DOC. TYPE	SCALE	SHEET 17 / 215	

OHO e.V.

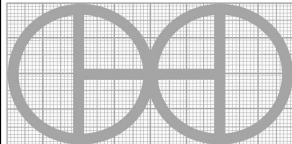
PARTS LIST

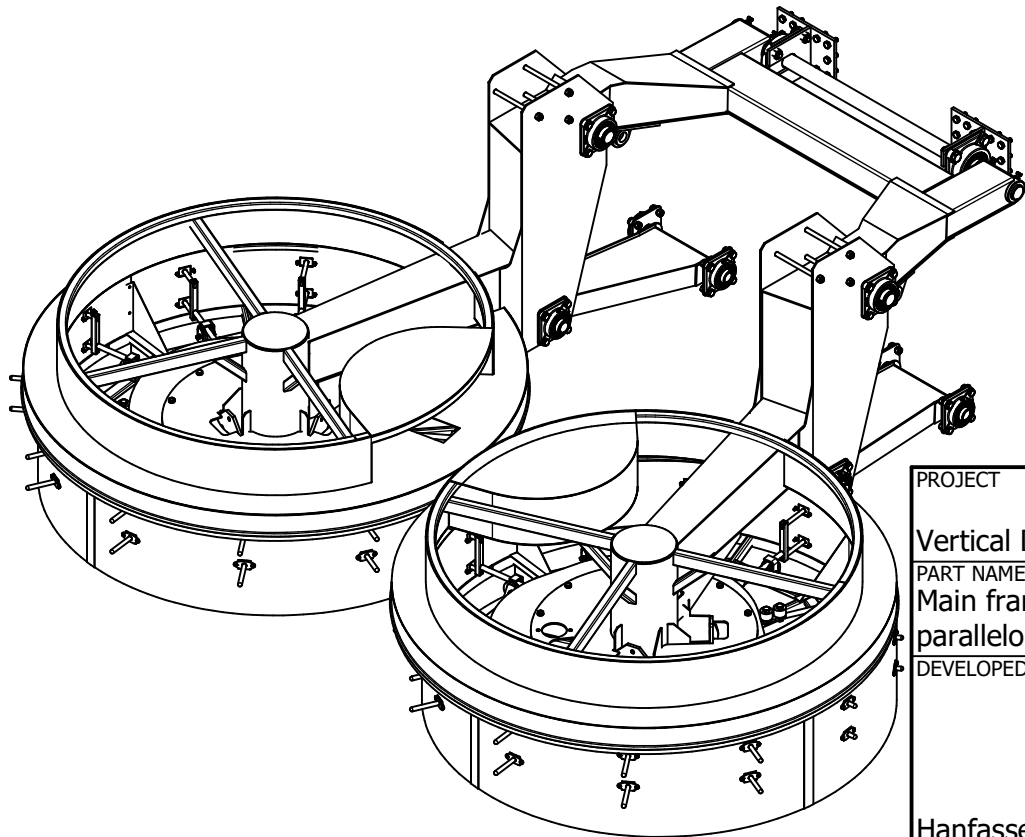
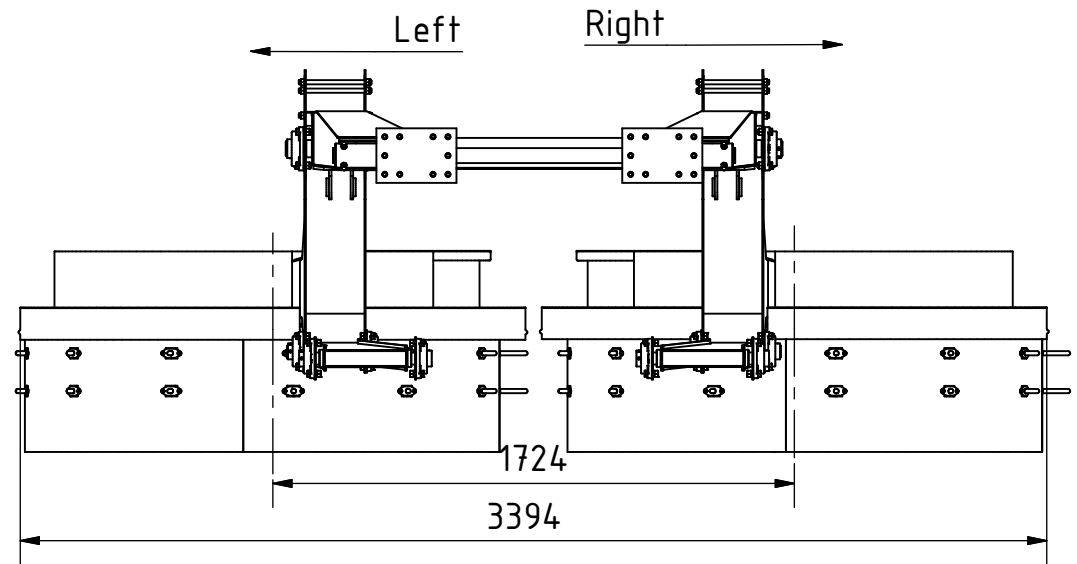
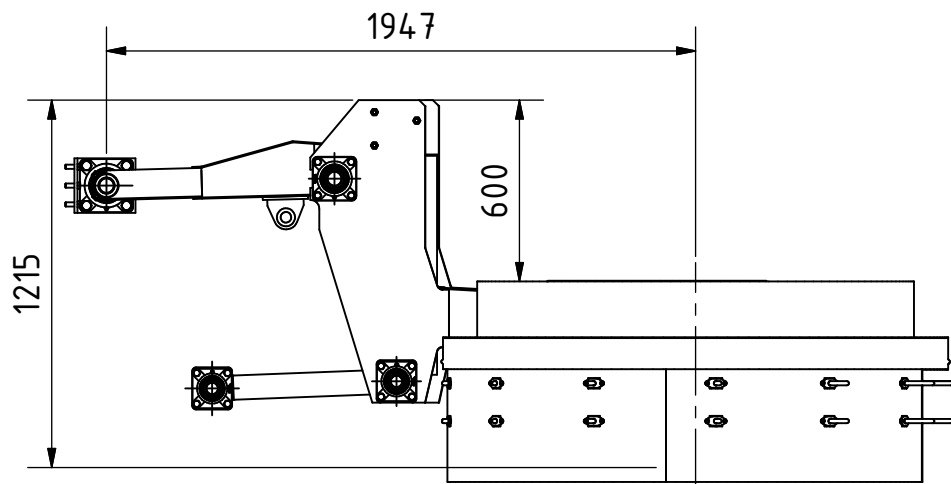
POS	QTY	PART NAME	FILE NAME	PART TYPE	SPECIFICATIONS	SHEET
8.0.0	2	Drive of the upper feed drums	8.iam			206
8.1.0	1	Drive motor drum		Buy	Drive motor OMS 315 151 F 0206	
8.2.0	1	Torque support	8.2.ipt	Production	Steel 235J2	208
8.3.0	2	Flange bearing UCF 210		Buy	Flange bearing UCF 210	
8.4.0	1	Support frame	8.4.ipn			209
8.6.0	1	Axle with flange	8.6.ipn			211
8.7.0	8	Hexagon bolt M 12 X 50		Standard	Hex head bolt M12*50 NC	
8.8.0	1	Drum roof	8.8.iam			213
8.9.0	2	Reinforcement plate	1.8.ipt	Production	Steel 235J2	215
8.10.0	4	Hex Bolt M12		Standard	Hex head bolt M12*40 NC	
8.11.0	4	Hex nut M12		Standard	Hex nut M12 NC	
8.12.0	4	Hex Bolt M14		Standard	Hex head bolt M14*120 NC	
8.13.0	1	Hex Bolt M14_2		Standard	Hex head bolt M14*50 NC	
8.14.0	5	Hex nut M14		Standard	Hex nut M14 NC	

PROJECT Vertical Drum Hemp Harvester		CREATED BY A. Morillo		APPROVED BY D. Jaeger		DATE 28-05-2024	VERSION 0.07
PART NAME		SPECIFICACIONES					CODE B13
DEVELOPED BY Hanfasser		REDESIGNED BY 		FILENAME		QTY	
		OHO e.V.		LICENSE CC-BY-SA 4.0	DOC. TYPE	SCALE	SHEET 18 /215

PARTS LIST

POS	QTY	PART NAME	FILE NAME	PART TYPE	SPECIFICATIONS	SHEET

PROJECT	CREATED BY	APPROVED BY	DATE	VERSION
Vertical Drum Hemp Harvester	A. Morillo	D. Jaeger	28-05-2024	0.07
PART NAME	SPECIFICACIONES			CODE
				B14
DEVELOPED BY	REDESIGNED BY	FILENAME		QTY
Hanfasser		OHO e.V. CC-BY-SA 4.0	LICENSE	DOC. TYPE
				SCALE
				19 /215

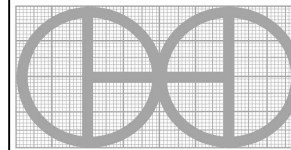


(*)

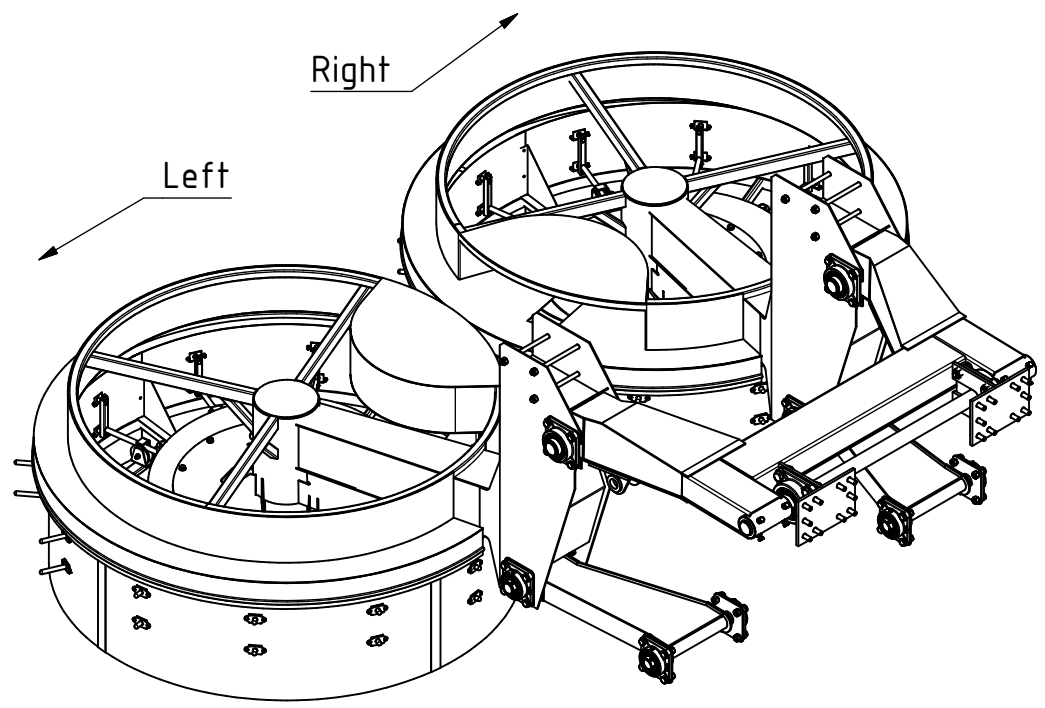
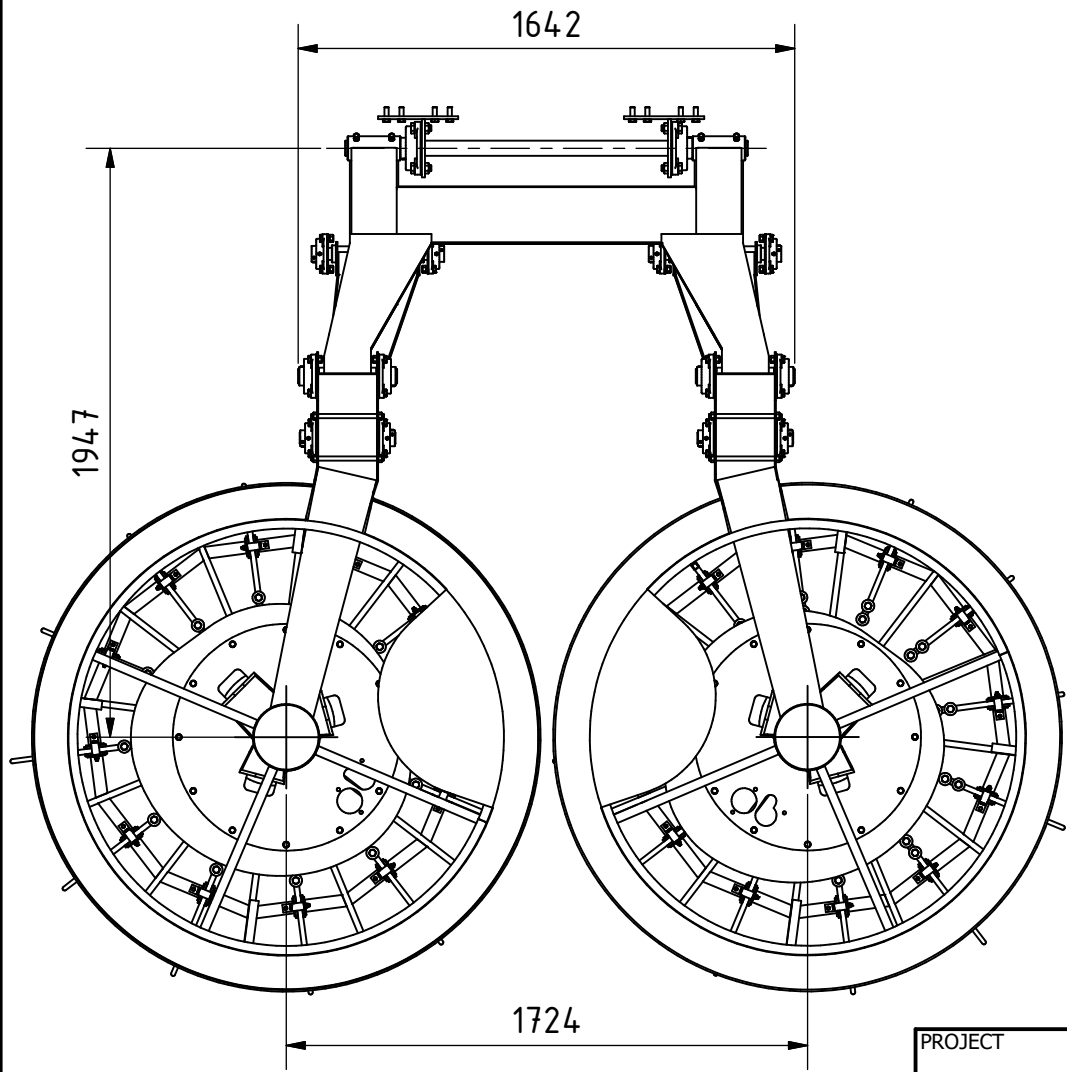
- Some parts from the original catalog were not included here because they were not seen in the existing equipment.
- Other pieces were reorganized in sub-assemblies, to expedite the work with the CAD program (few cases).
- Some parts and assemblies have been adjusted to avoid interference conflicts and to match the received measurements as closely as possible

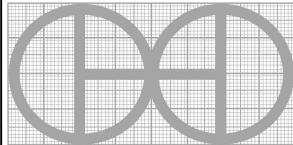
PROJECT	CREATED BY	APPROVED BY	DATE	VERSION
Vertical Drum Hemp Harvester	A. Morillo	D. Jaeger	28-05-2024	0.07
PART NAME	SPECIFICACIONES			CODE
Main frame base and parallelogram swing arm				1.0.0
DEVELOPED BY	REDESIGNED BY	FILENAME		QTY
		1.iam		1
		LICENSE	DOC. TYPE	SCALE
		CC-BY-SA 4.0	Assembly	1 : 25
				SHEET
				20 /215

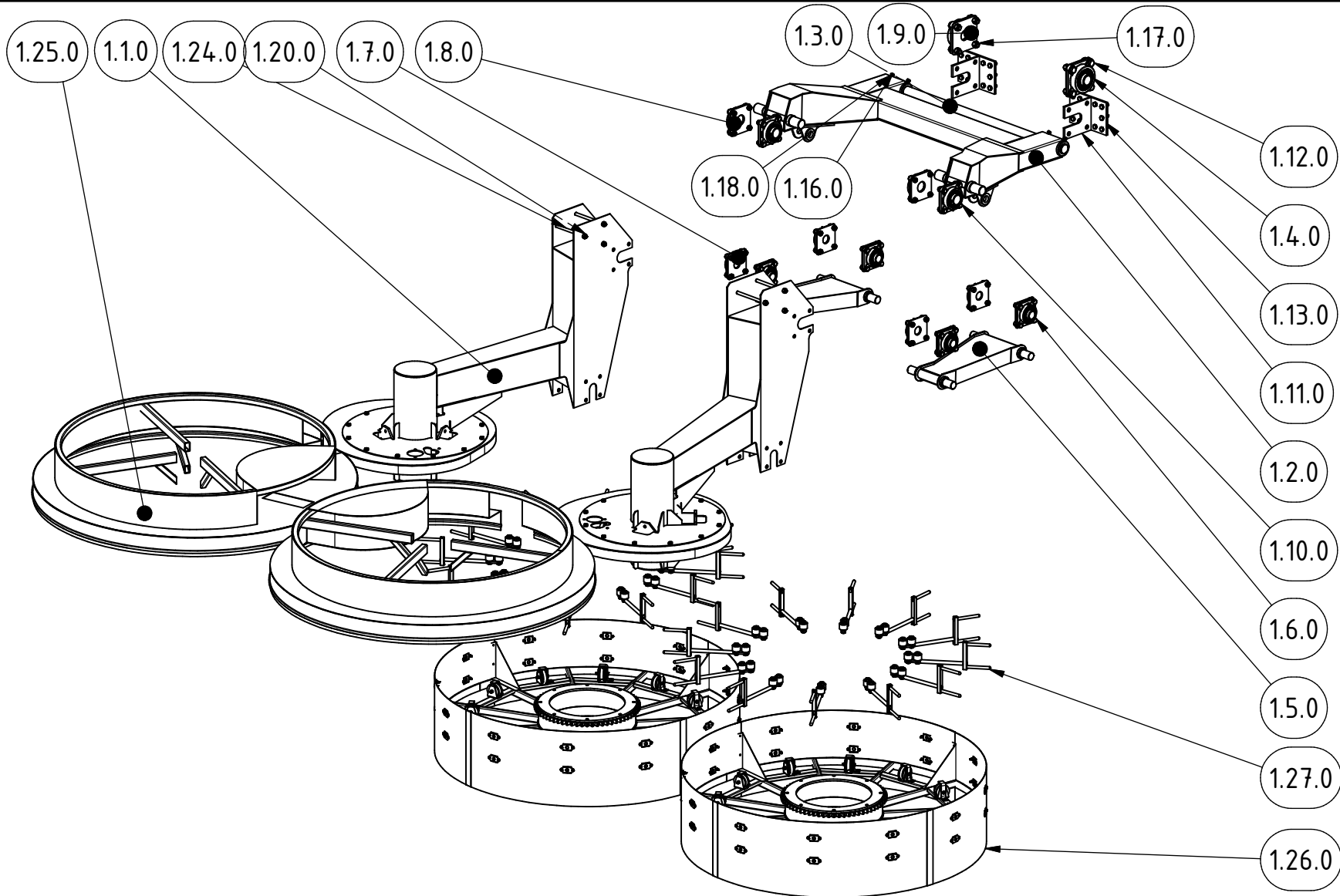
Hanfasser

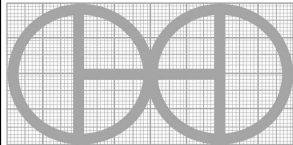


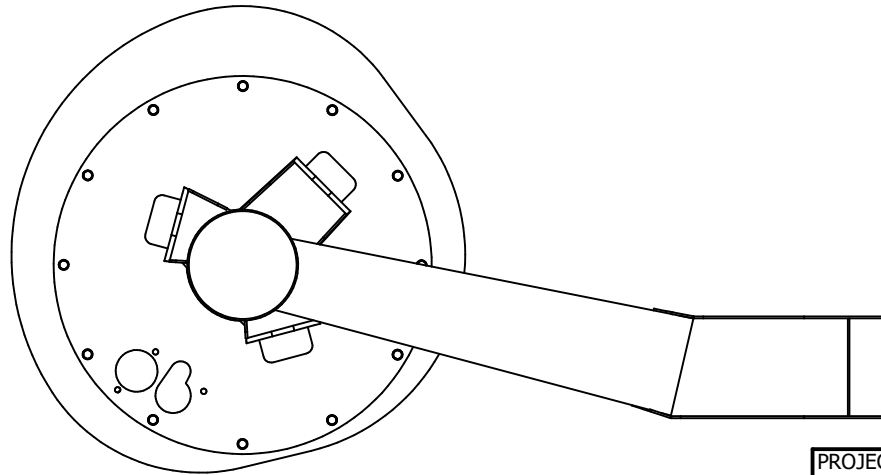
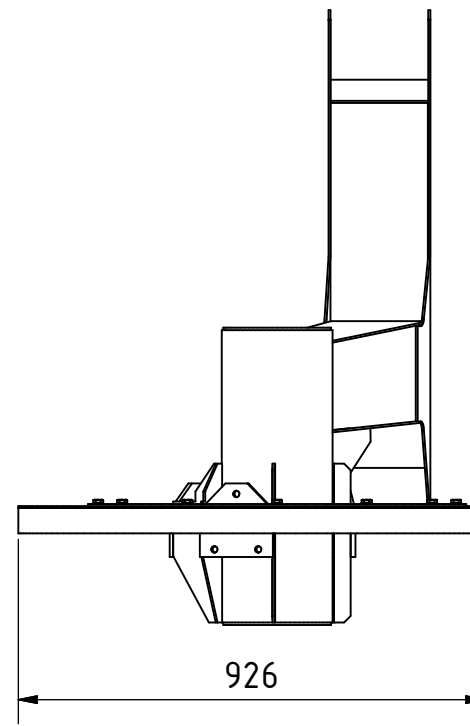
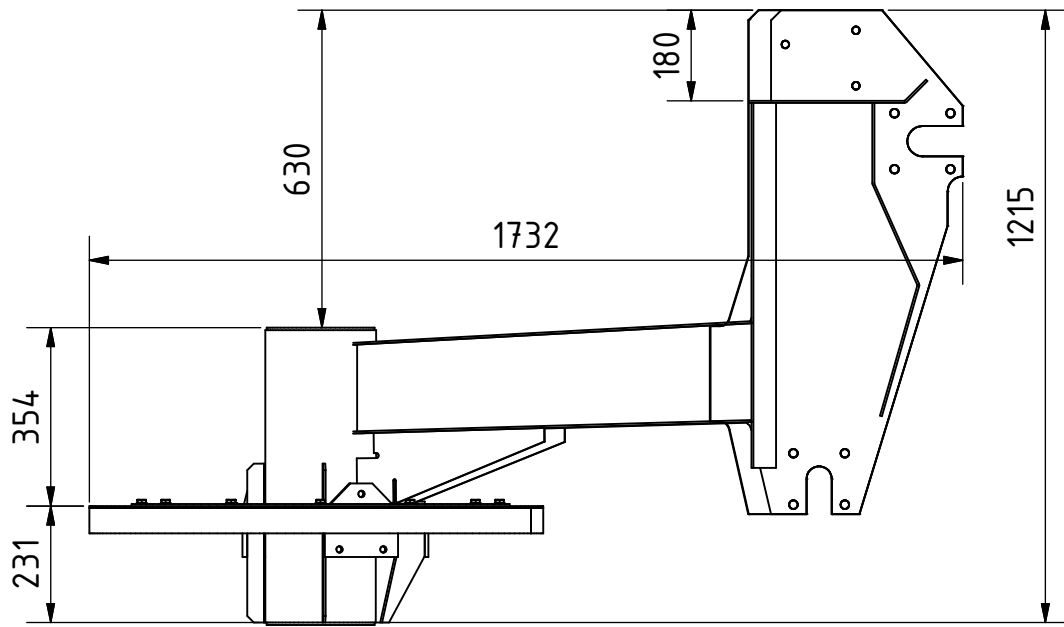
OHO e.V.

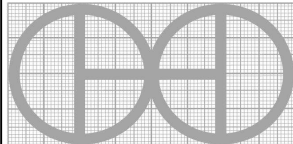


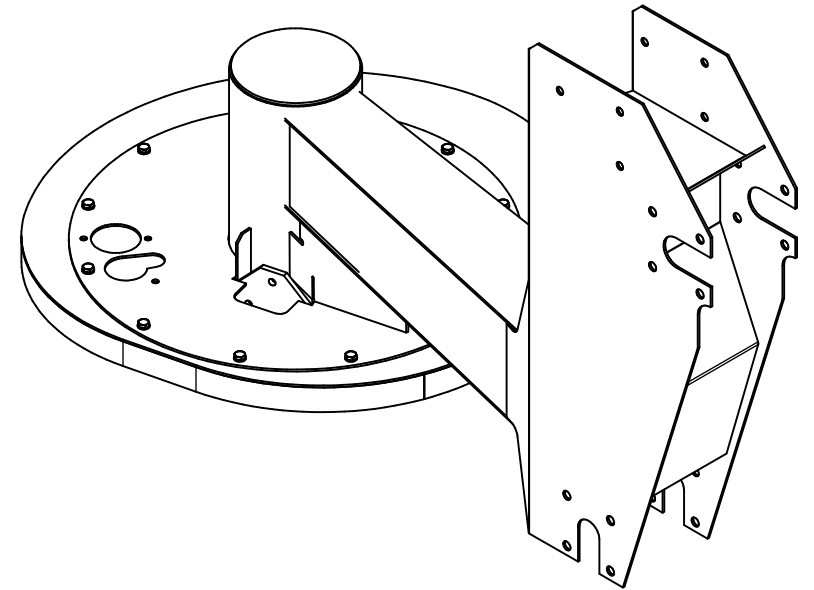
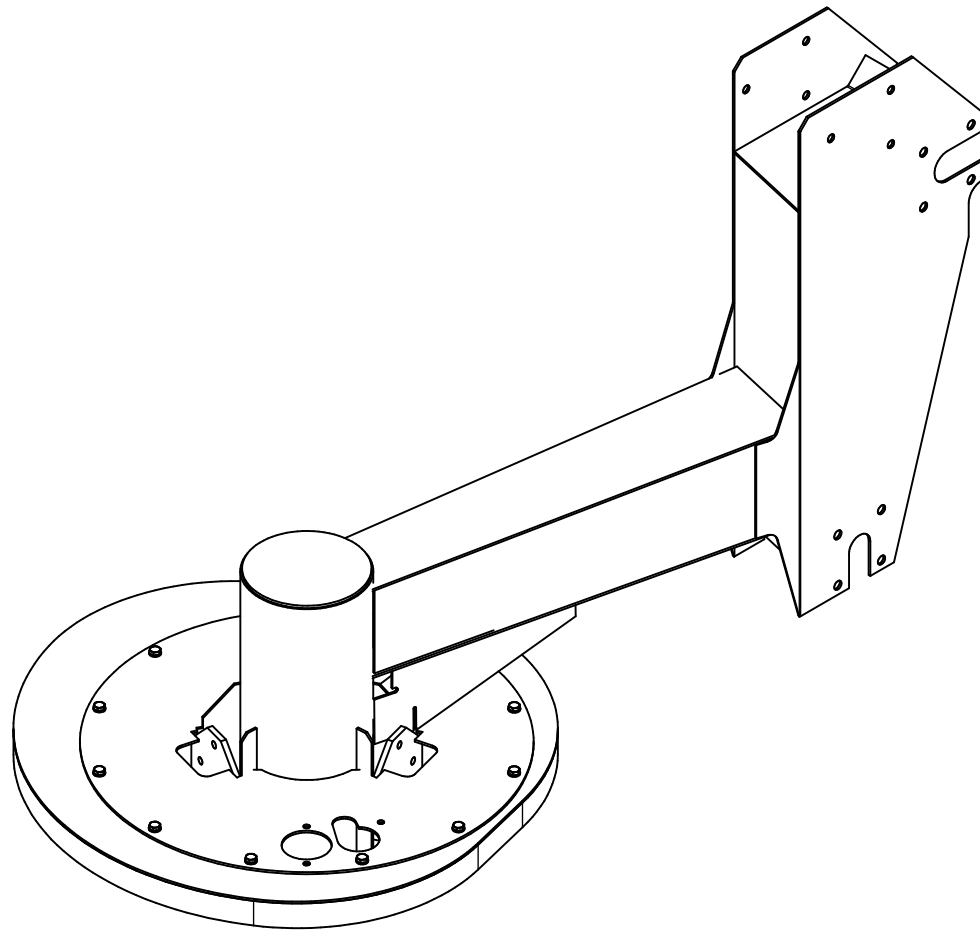
PROJECT		CREATED BY		APPROVED BY		DATE		VERSION			
Vertical Drum Hemp Harvester		A. Morillo		D. Jaeger		28-05-2024		0.07			
PART NAME		SPECIFICACIONES							CODE		
Main frame base and parallelogram swing arm									1.0.0		
DEVELOPED BY			REDESIGNED BY			FILENAME			QTY		
Hanfasser						1.iam			1		
						LICENSE		DOC. TYPE		SCALE	
						CC-BY-SA 4.0		Assembly		1 : 25	
										SHEET	
										21 /215	



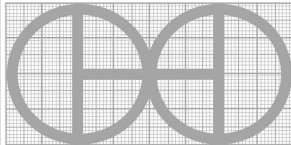
PROJECT		CREATED BY		APPROVED BY		DATE		VERSION	
Vertical Drum Hemp Harvester		A. Morillo		D. Jaeger		28-05-2024		0.07	
PART NAME		SPECIFICACIONES						CODE	
Main frame base and parallelogram swing arm								1.0.0	
DEVELOPED BY		REDESIGNED BY		FILENAME				QTY	
Hanfasser				1.iam				1	
				LICENSE		DOC. TYPE		SCALE	
				CC-BY-SA 4.0		Assembly		1 : 25	
								SHEET	
								22 /215	

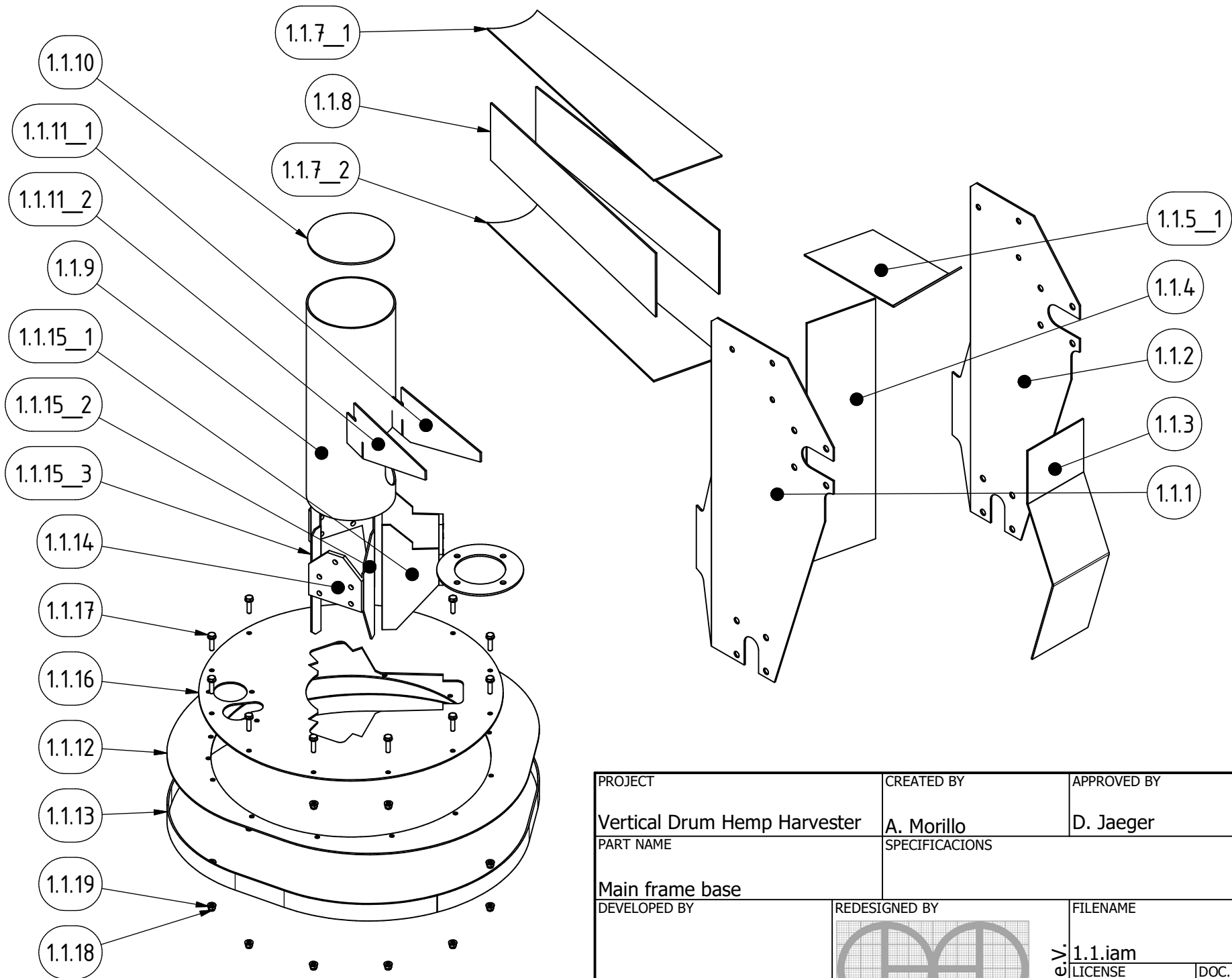


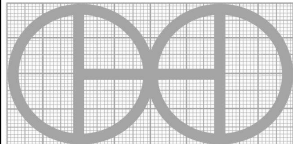
PROJECT	CREATED BY	APPROVED BY	DATE	VERSION
Vertical Drum Hemp Harvester	A. Morillo	D. Jaeger	28-05-2024	0.07
PART NAME	SPECIFICACIONES			CODE
Main frame base				1.1.0
DEVELOPED BY	REDESIGNED BY	FILENAME		QTY
		1.1.iam		2
Hanfasser		LICENSE	DOC. TYPE	SCALE
		CC-BY-SA 4.0	Assembly	1 : 15
				SHEET
				23 /215

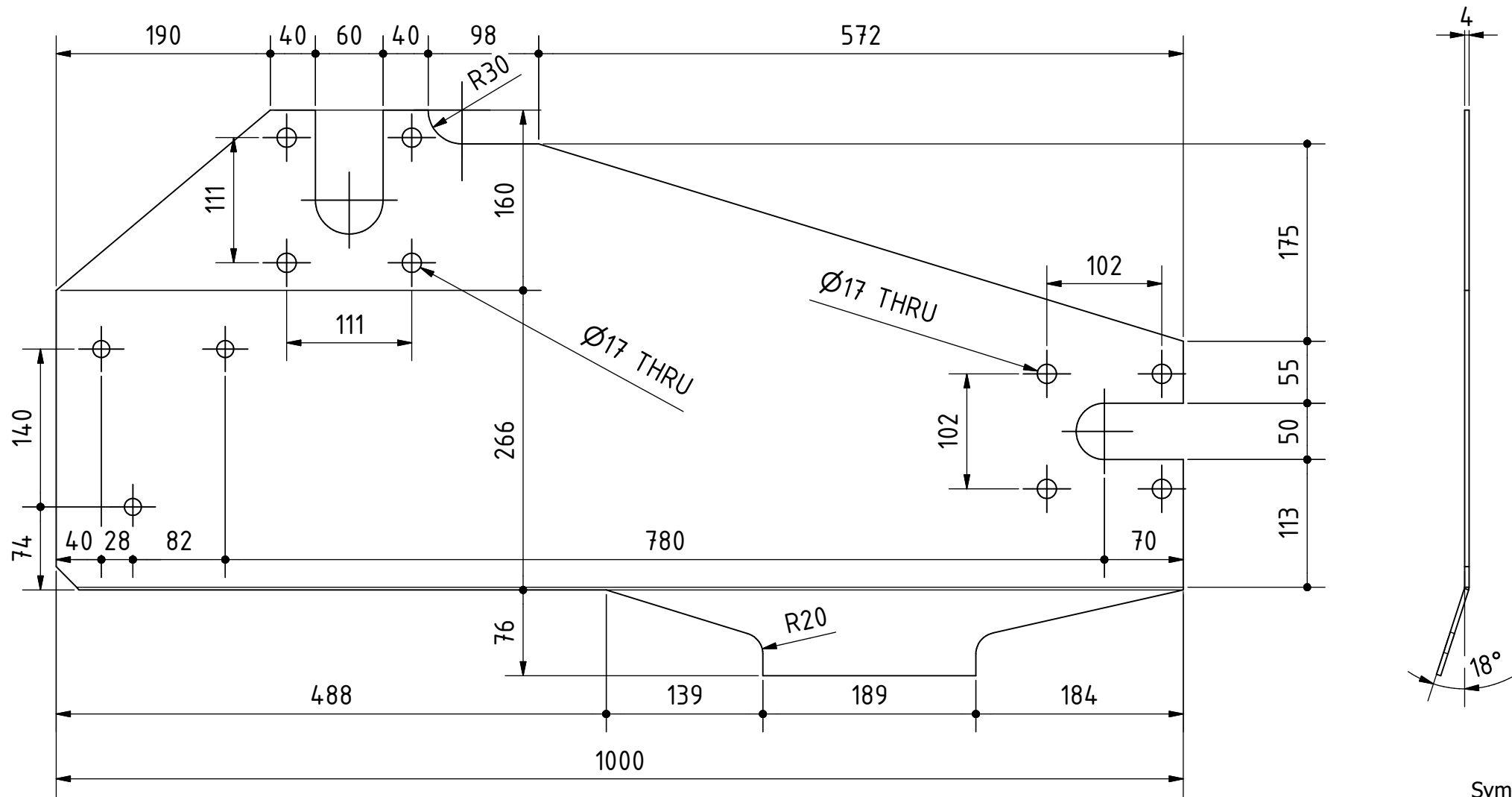


Symmetrical set

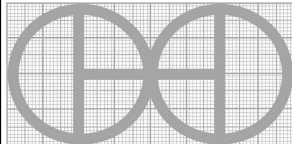
PROJECT		CREATED BY		APPROVED BY		DATE		VERSION		
Vertical Drum Hemp Harvester		A. Morillo		D. Jaeger		28-05-2024		0.07		
PART NAME		SPECIFICACIONES							CODE	
Main frame base									1.1.0	
DEVELOPED BY		REDESIGNED BY		FILENAME				QTY		
Hanfasser				1.1.iam				2		
				LICENSE		DOC. TYPE		SCALE		
				CC-BY-SA 4.0		Assembly		1 : 15		
								24 /215		

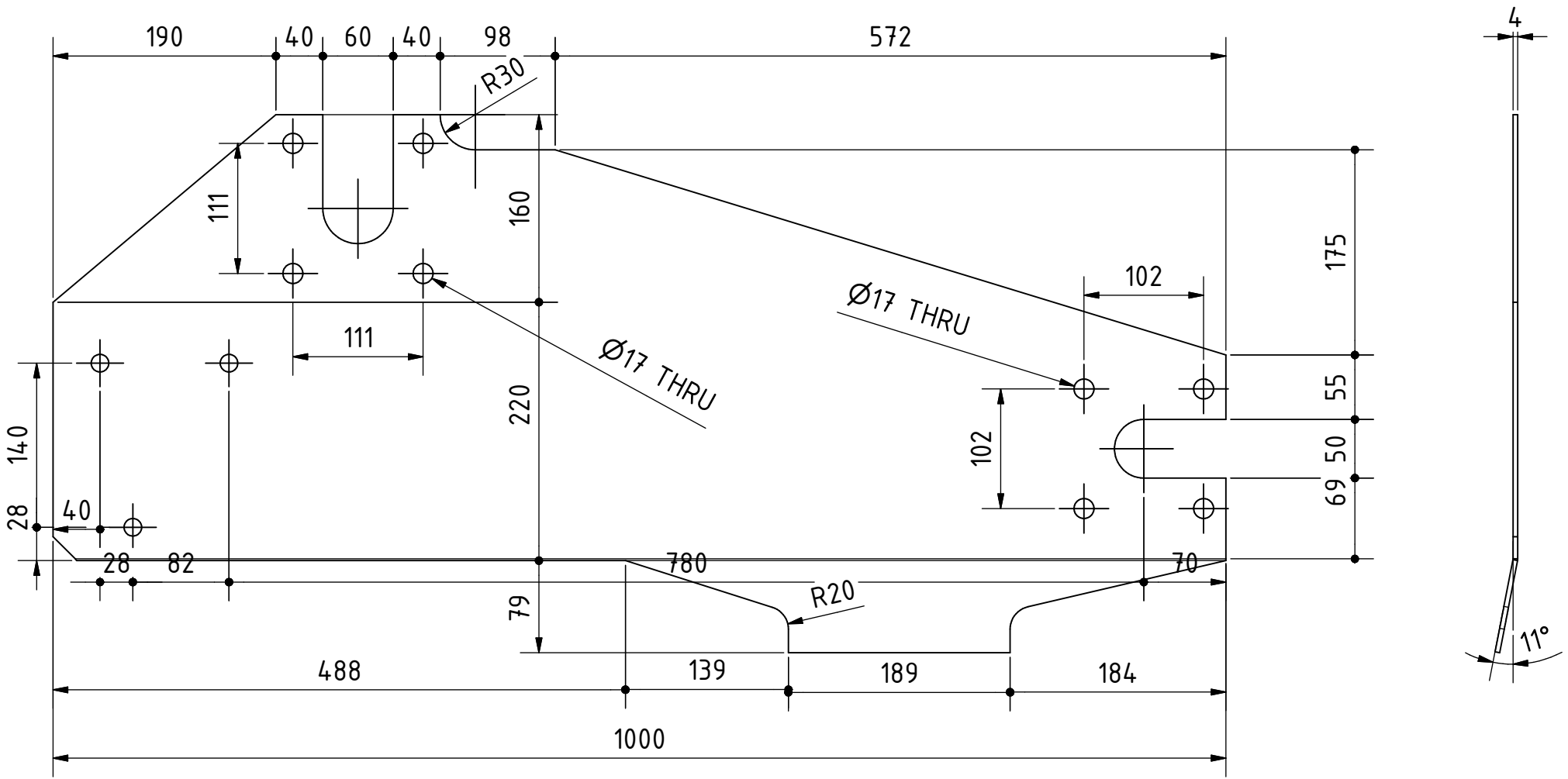


PROJECT	CREATED BY	APPROVED BY	DATE	VERSION
Vertical Drum Hemp Harvester	A. Morillo	D. Jaeger	28-05-2024	0.07
PART NAME	SPECIFICACIONES			CODE
Main frame base				1.1.0
DEVELOPED BY	REDESIGNED BY	FILENAME		QTY
		1.1.iam		2
Hanfasser		LICENSE	DOC. TYPE	SCALE
		CC-BY-SA 4.0	Assembly	2:25
				SHEET
				25 /215

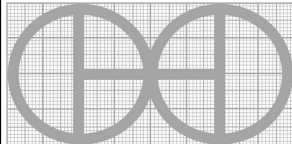


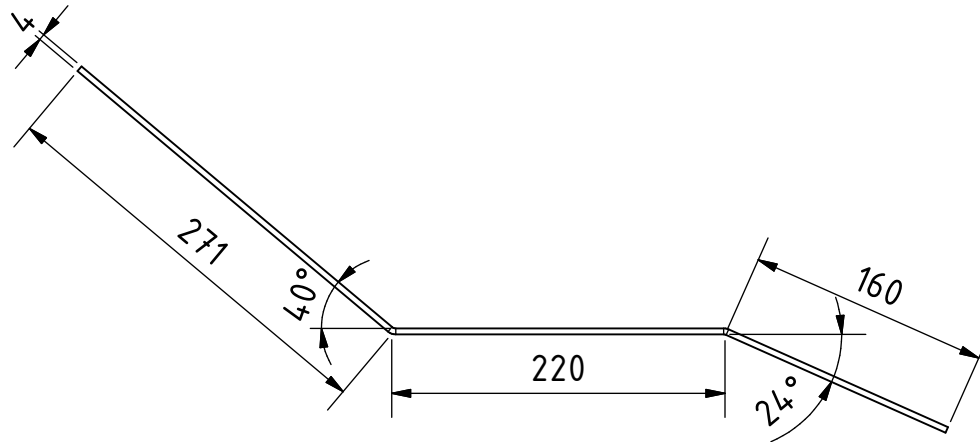
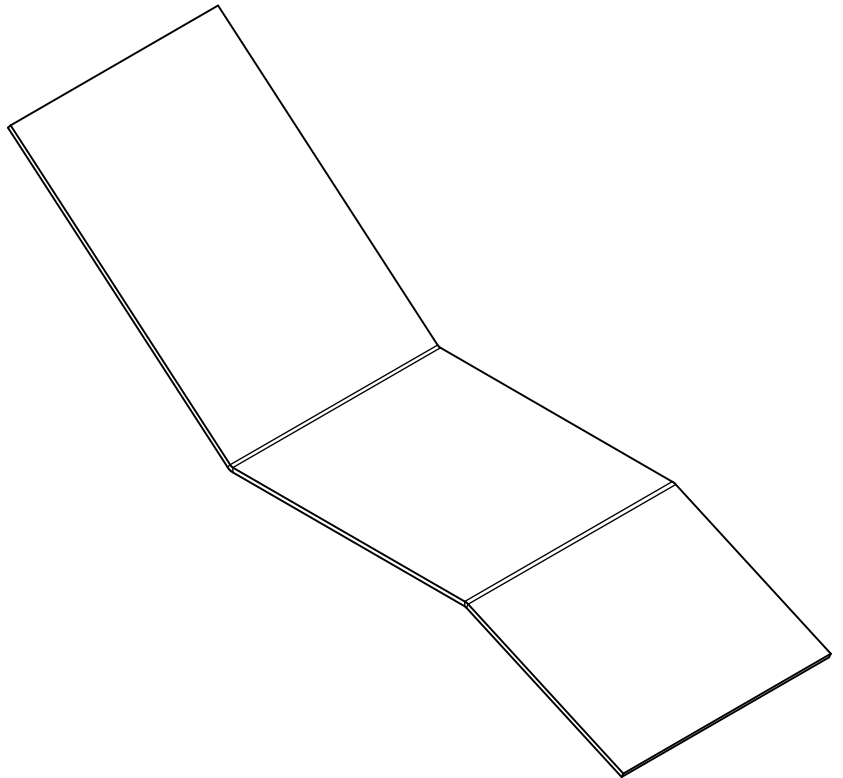
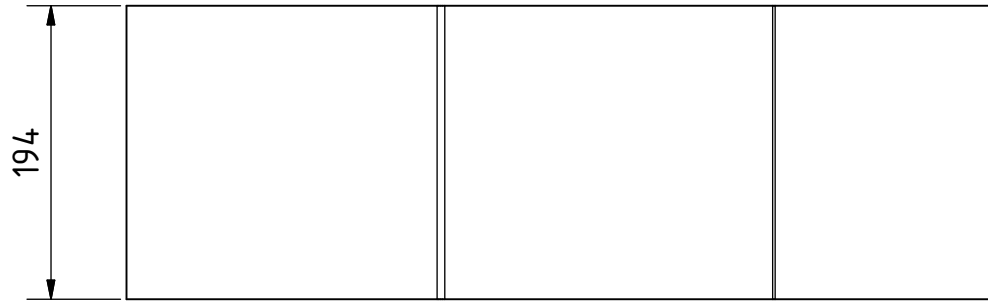
Symmetrical item

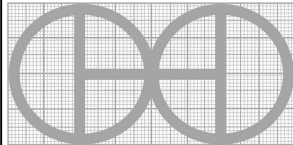
PROJECT		CREATED BY		APPROVED BY		DATE		VERSION		
Vertical Drum Hemp Harvester		A. Morillo		D. Jaeger		28-05-2024		0.07		
PART NAME		SPECIFICACIONES							CODE	
Part 1.1.1		Steel 235J2							1.1.1	
DEVELOPED BY		REDESIGNED BY		FILENAME				QTY		
Hanfasser				1.1.1.ipt				1		
		OHO e.V.		LICENSE		DOC. TYPE		SCALE		
				CC-BY-SA 4.0		Part		1 : 5		
								SHEET		
								26 /215		

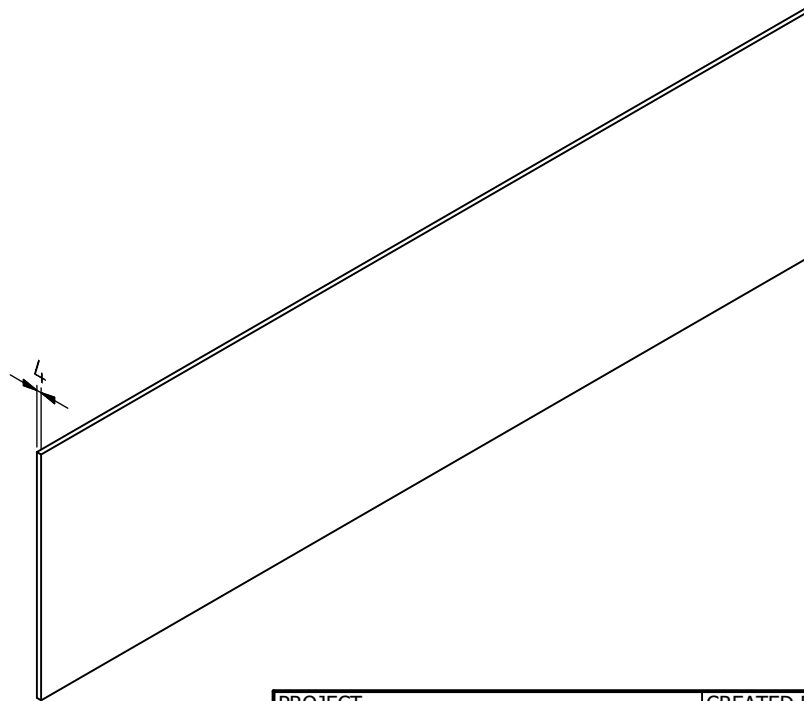
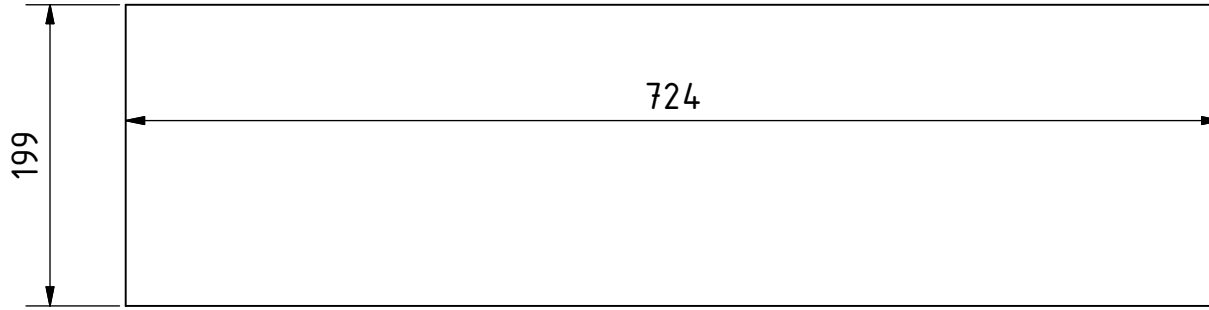


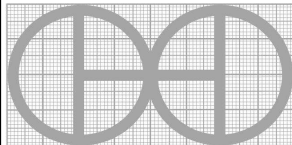
Symmetrical item

PROJECT		CREATED BY		APPROVED BY		DATE		VERSION		
Vertical Drum Hemp Harvester		A. Morillo		D. Jaeger		28-05-2024		0.07		
PART NAME		SPECIFICACIONES							CODE	
Part 1.1.2		Steel 235J2							1.1.2	
DEVELOPED BY		REDESIGNED BY		FILENAME				QTY		
Hanfasser				1.1.1.ipt				1		
		OHO e.V.		LICENSE		DOC. TYPE		SCALE		
				CC-BY-SA 4.0		Part		1 : 5		
								27 /215		

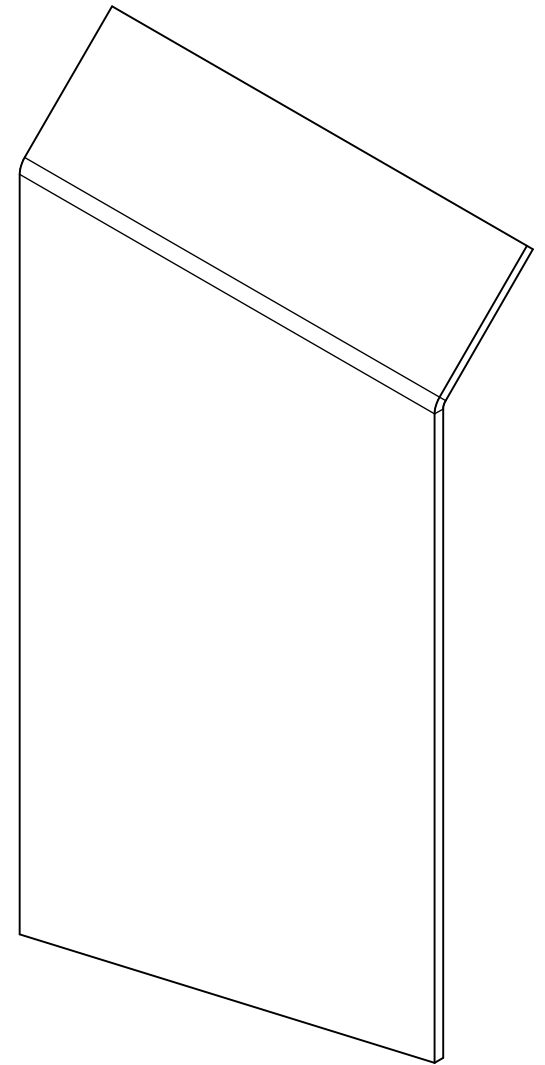
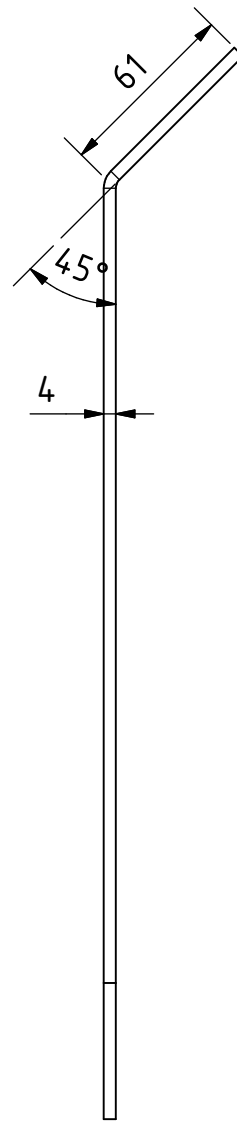
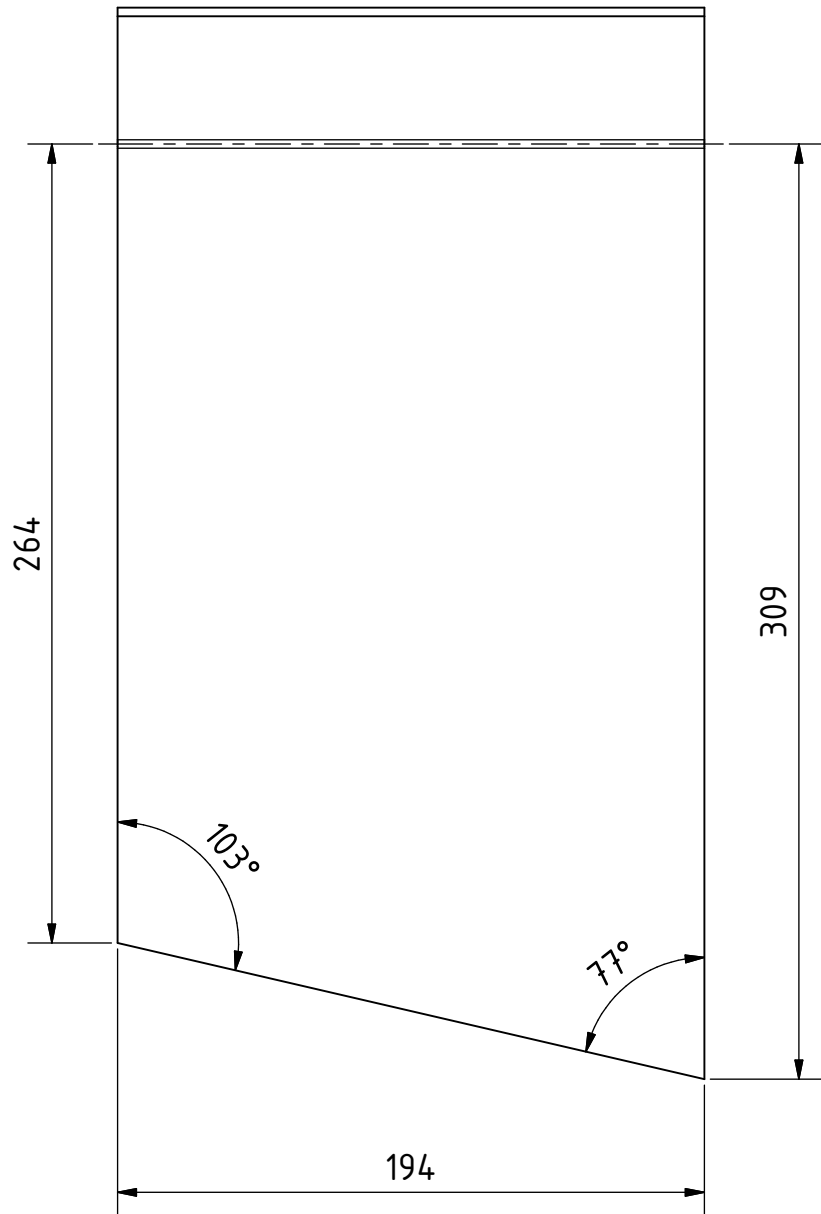


PROJECT	CREATED BY	APPROVED BY	DATE	VERSION	
Vertical Drum Hemp Harvester	A. Morillo	D. Jaeger	28-05-2024	0.07	
PART NAME	SPECIFICACIONES			CODE	
Part 1.1.3	Steel 235J2			1.1.3	
DEVELOPED BY	REDESIGNED BY	FILENAME		QTY	
Hanfasser		1.1.3.ipt		1	
		LICENSE	DOC. TYPE	SCALE	SHEET
		CC-BY-SA 4.0	Part	1 : 5	28 /215

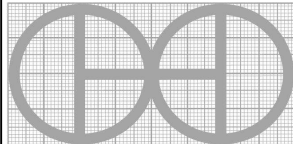


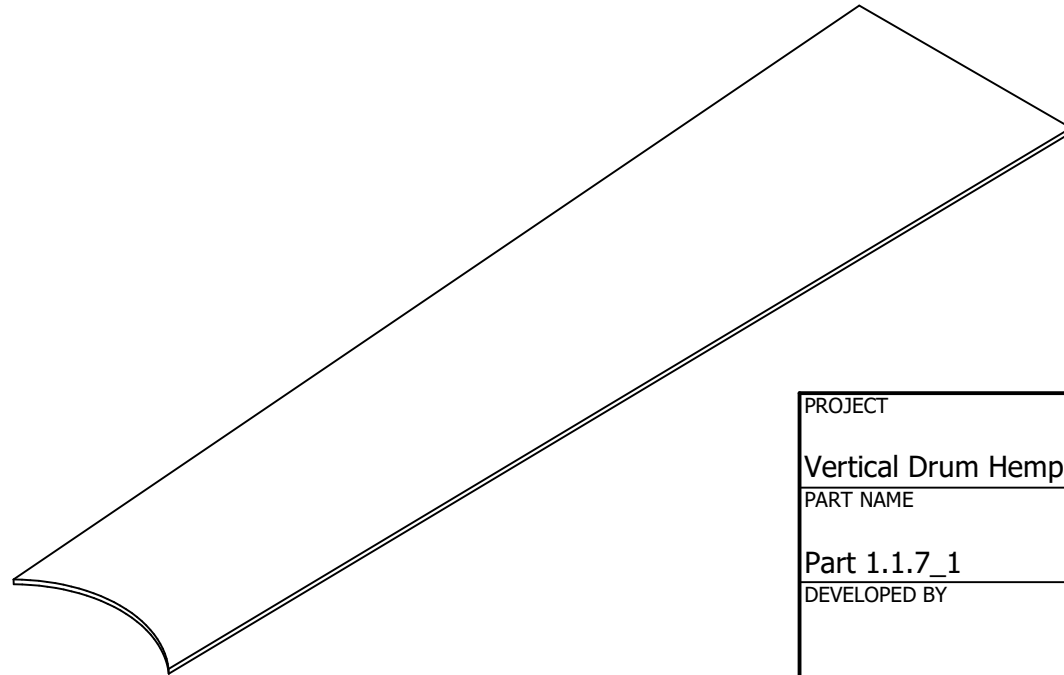
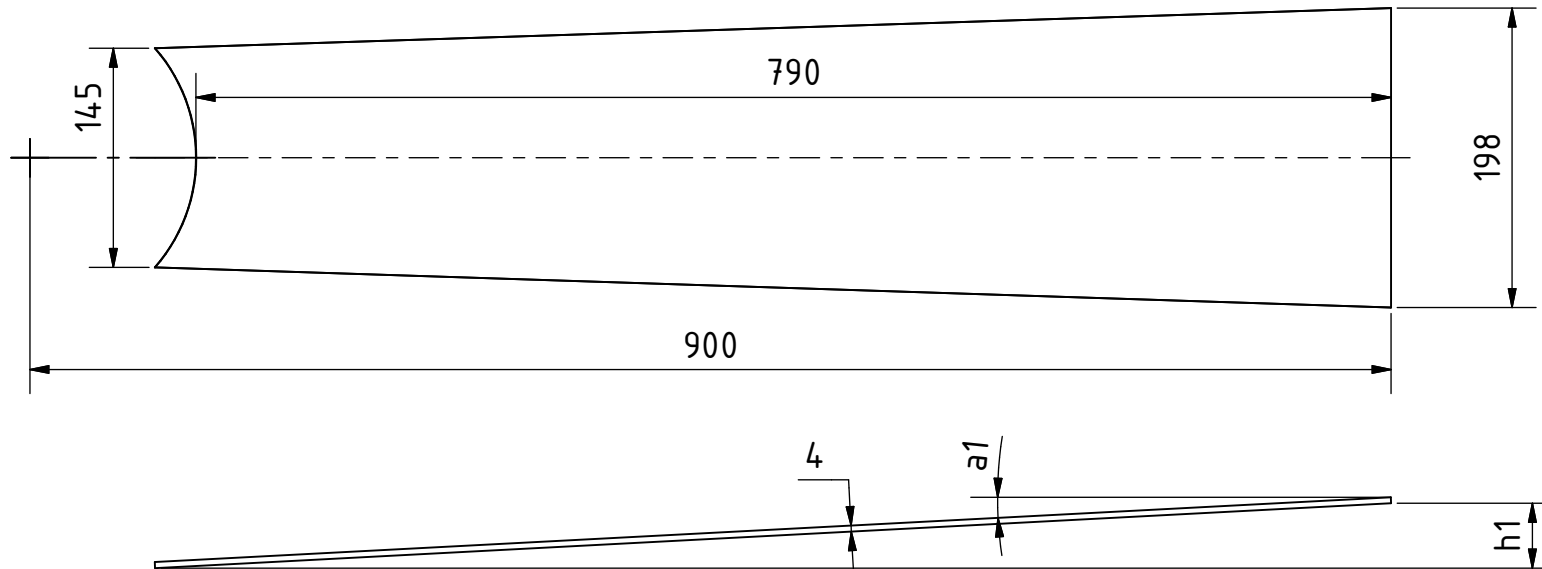
PROJECT	CREATED BY	APPROVED BY	DATE	VERSION	
Vertical Drum Hemp Harvester	A. Morillo	D. Jaeger	28-05-2024	0.07	
PART NAME	SPECIFICACIONES			CODE	
Part 1.1.4	Steel 235J2			1.1.4	
DEVELOPED BY	REDESIGNED BY	FILENAME		QTY	
Hanfasser		1.1.4.ipt		1	
		LICENSE	DOC. TYPE	SCALE	SHEET
		CC-BY-SA 4.0	Part	1 : 5	29 /215

OHO e.V.

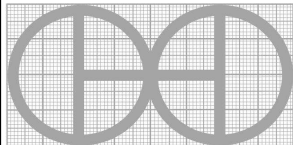


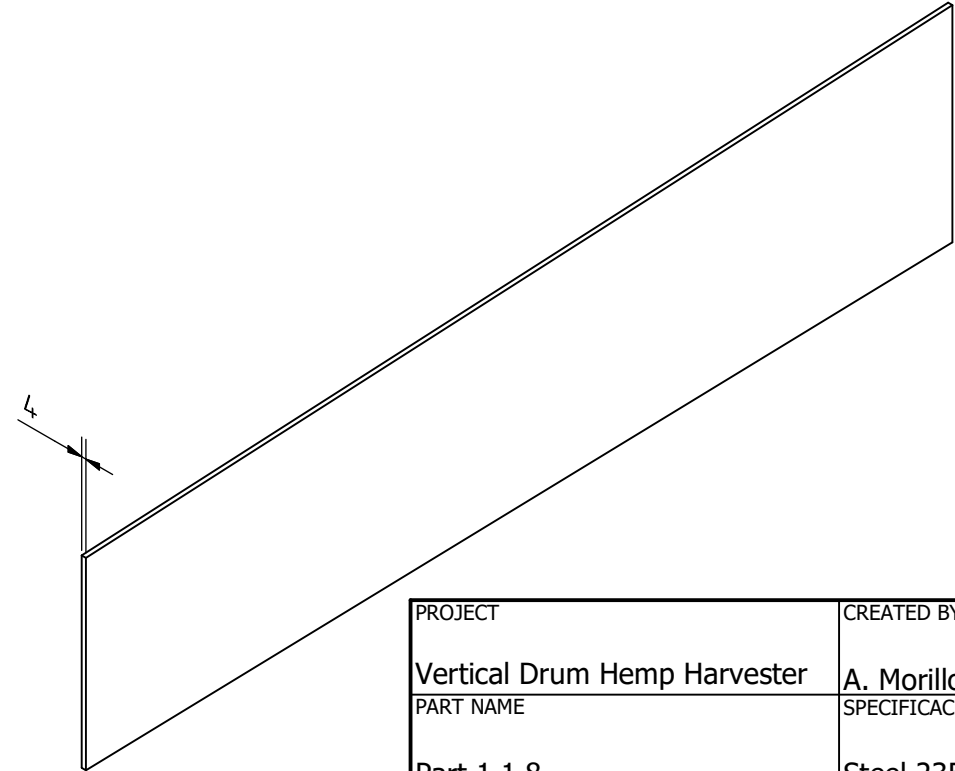
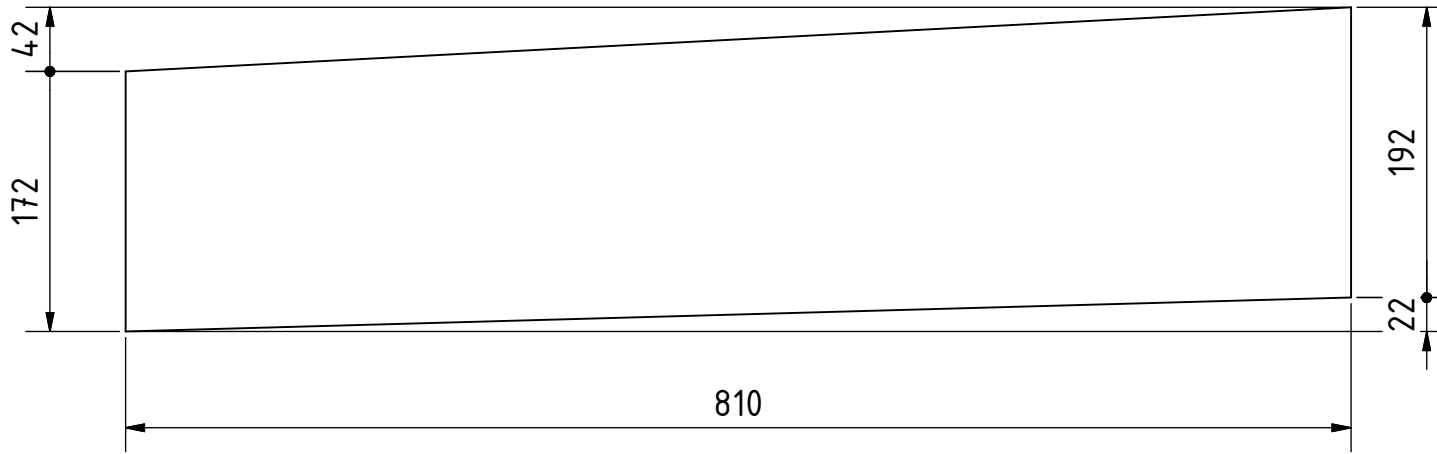
Symmetrical item

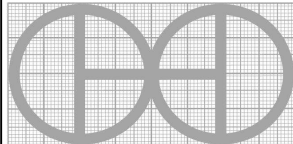
PROJECT	CREATED BY	APPROVED BY	DATE	VERSION	
Vertical Drum Hemp Harvester	A. Morillo	D. Jaeger	28-05-2024	0.07	
PART NAME	SPECIFICACIONES			CODE	
Part 1.1.5	Steel 235J2			1.1.5	
DEVELOPED BY	REDESIGNED BY	FILENAME		QTY	
Hanfasser		1.1.5.ipt		1	
		LICENSE	DOC. TYPE	SCALE	SHEET
		CC-BY-SA 4.0	Part	2:5	30 /215



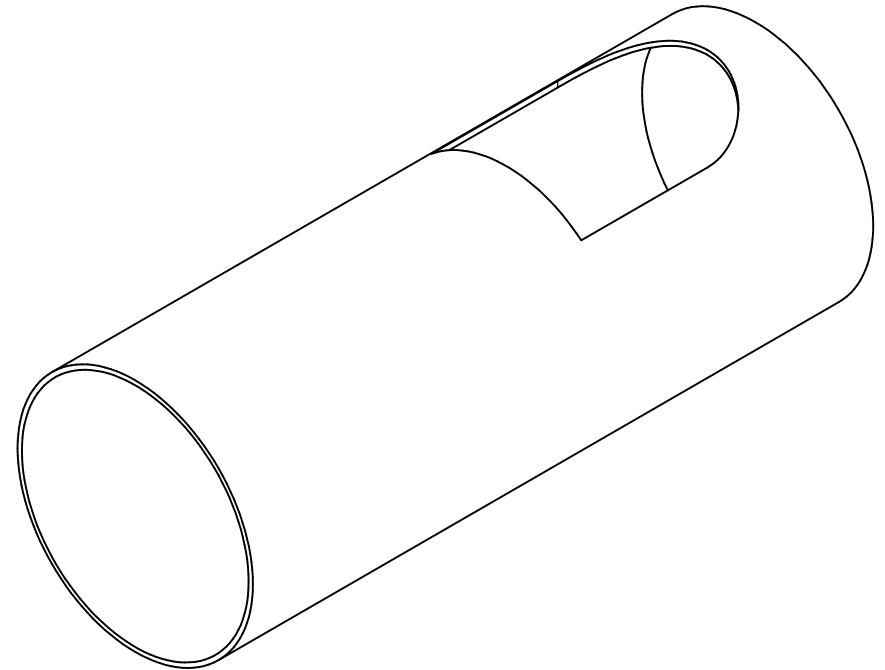
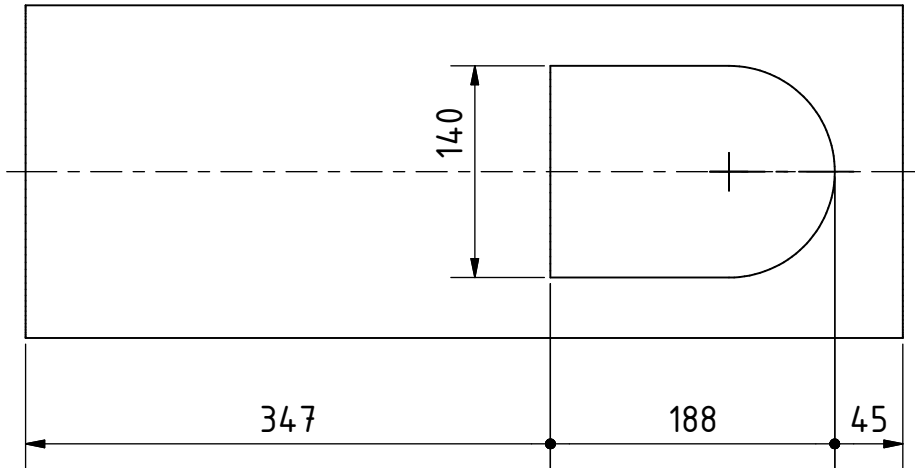
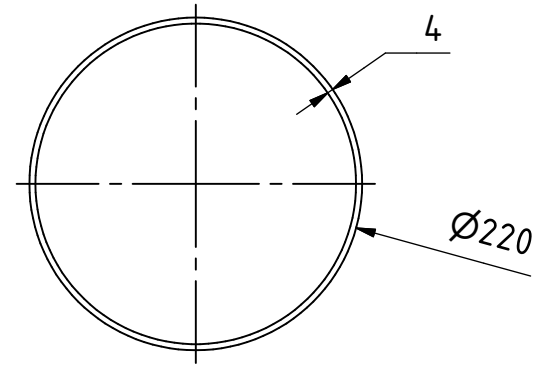
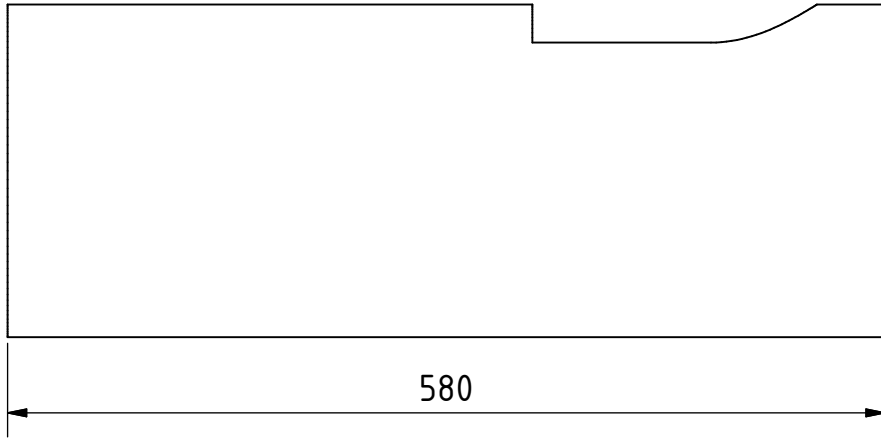
Size table		
Pos	a1	h1
1.1.7_1	3°	43mm
1.1.7_2	2°	22.7mm

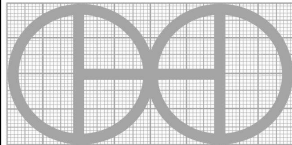
PROJECT	CREATED BY	APPROVED BY	DATE	VERSION	
Vertical Drum Hemp Harvester	A. Morillo	D. Jaeger	28-05-2024	0.07	
PART NAME	SPECIFICACIONES			CODE	
Part 1.1.7_1	Steel 235J2			1.1.7	
DEVELOPED BY	REDESIGNED BY	FILENAME		QTY	
Hanfasser		1.1.7_A.ipt		2	
		LICENSE	DOC. TYPE	SCALE	SHEET
		CC-BY-SA 4.0	Part	1:5	31 /215



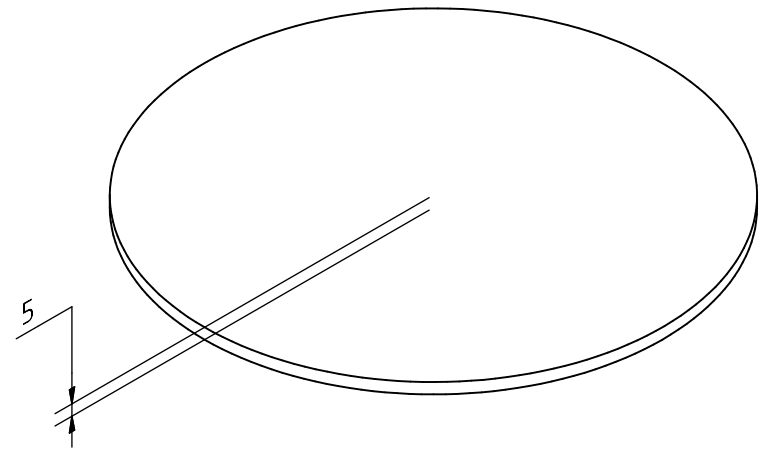
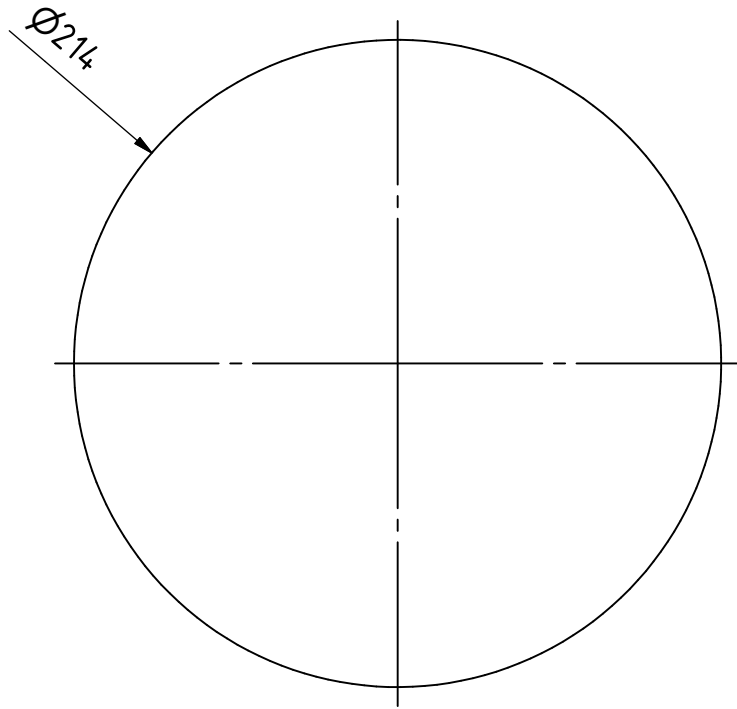
PROJECT	CREATED BY	APPROVED BY	DATE	VERSION	
Vertical Drum Hemp Harvester	A. Morillo	D. Jaeger	28-05-2024	0.07	
PART NAME	SPECIFICACIONES			CODE	
Part 1.1.8	Steel 235J2			1.1.8	
DEVELOPED BY	REDESIGNED BY	FILENAME		QTY	
Hanfasser		1.1.8.ipt		2	
		LICENSE	DOC. TYPE	SCALE	SHEET
		CC-BY-SA 4.0	Part	1:5	32 /215

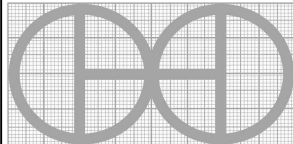
OHO e.V.



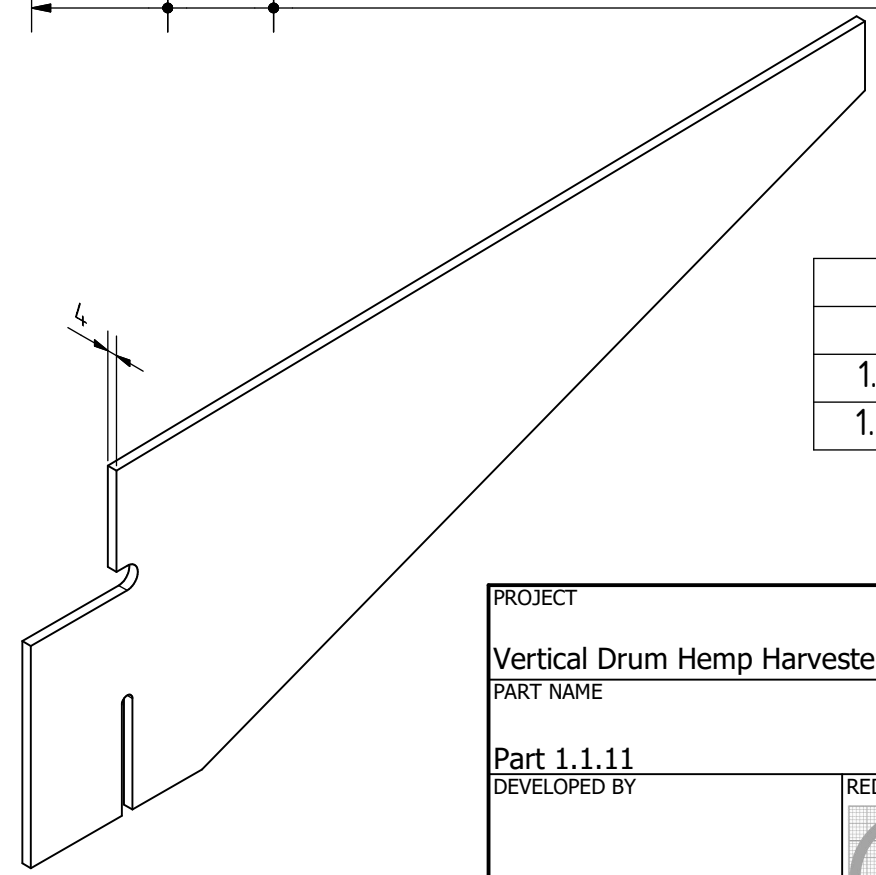
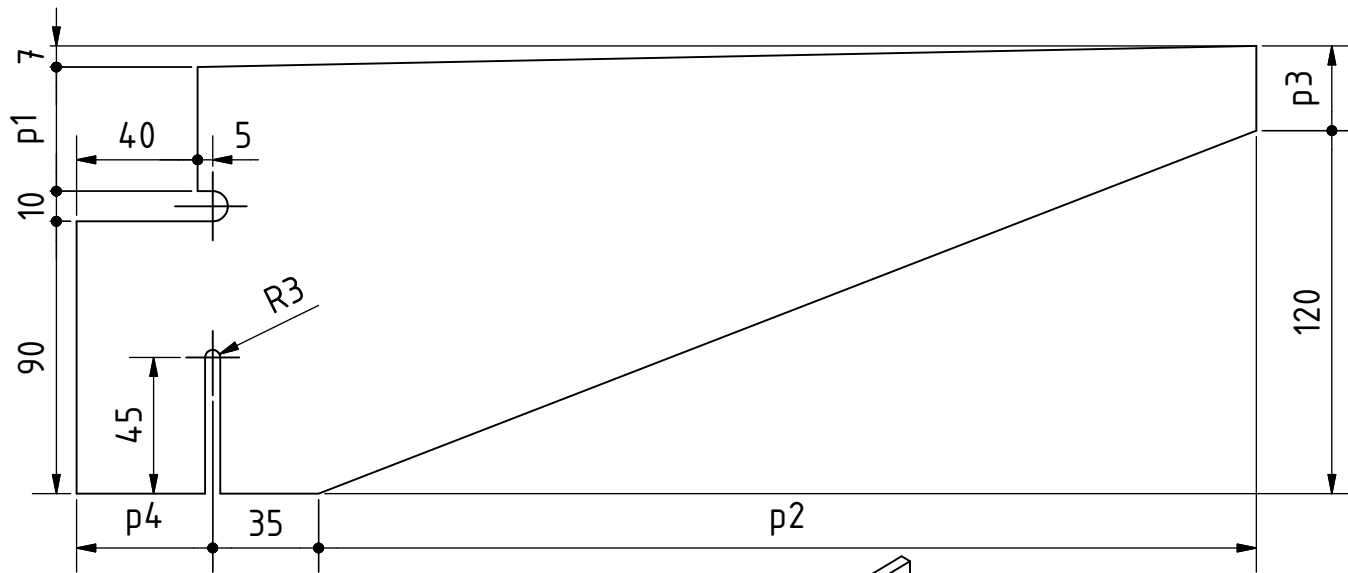
PROJECT	CREATED BY	APPROVED BY	DATE	VERSION
Vertical Drum Hemp Harvester	A. Morillo	D. Jaeger	28-05-2024	0.07
PART NAME	SPECIFICACIONES			CODE
Part 1.1.9	Steel 235J2			1.1.9
DEVELOPED BY	REDESIGNED BY	FILENAME		QTY
		1.1.9.ipt		1
Hanfasser		LICENSE	DOC. TYPE	SHEET
		CC-BY-SA 4.0	Part	33 /215
			SCALE	
			1:5	

OHO e.V.



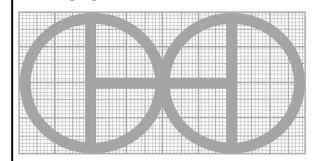
PROJECT	CREATED BY	APPROVED BY	DATE	VERSION	
Vertical Drum Hemp Harvester	A. Morillo	D. Jaeger	28-05-2024	0.07	
PART NAME	SPECIFICACIONES			CODE	
Part 1.1.10	Steel 235J2			1.1.10	
DEVELOPED BY	REDESIGNED BY	FILENAME		QTY	
Hanfasser		1.1.10.ipt		2	
		LICENSE	DOC. TYPE	SCALE	SHEET
		CC-BY-SA 4.0	Part	2 : 5	34 /215

OHO e.V.

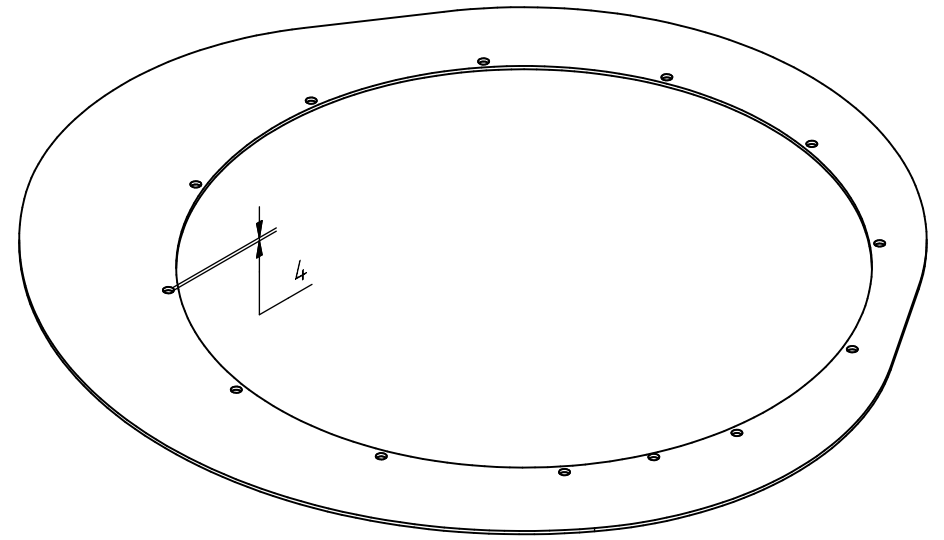
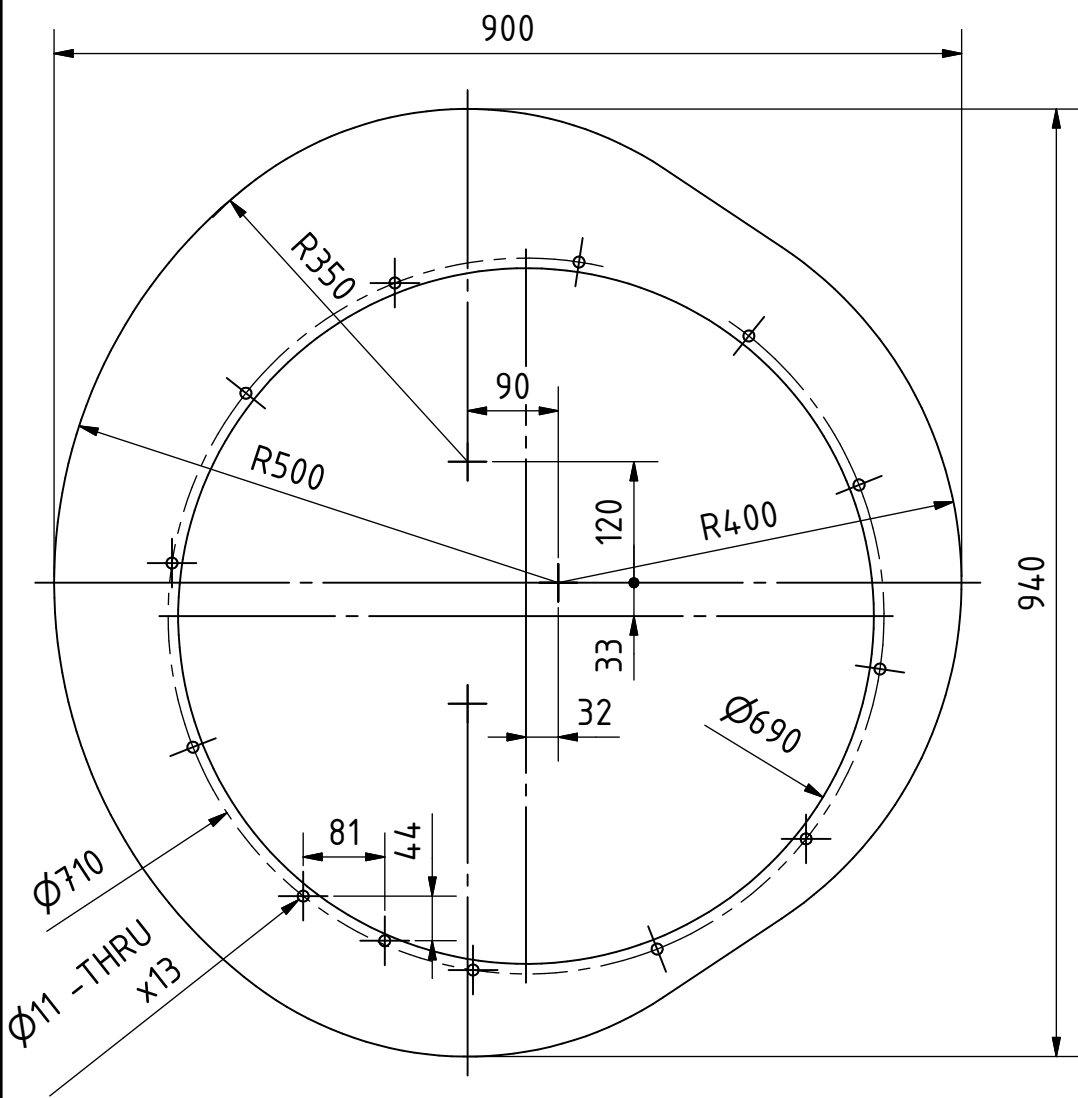


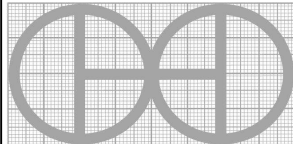
Size table				
Pos	p1	p2	p3	p4
1.1.11_1	41 mm	310 mm	28 mm	45 mm
1.1.11_2	40 mm	305 mm	27 mm	77 mm

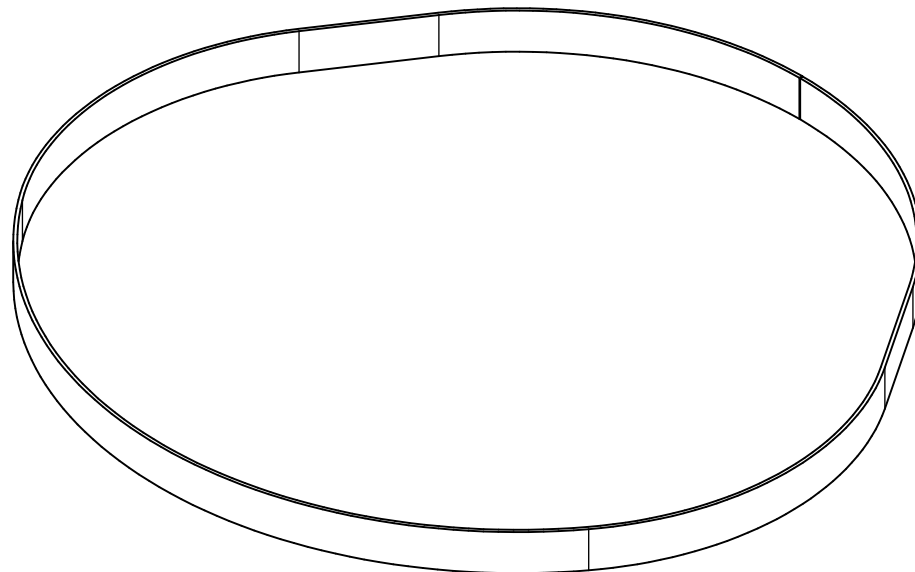
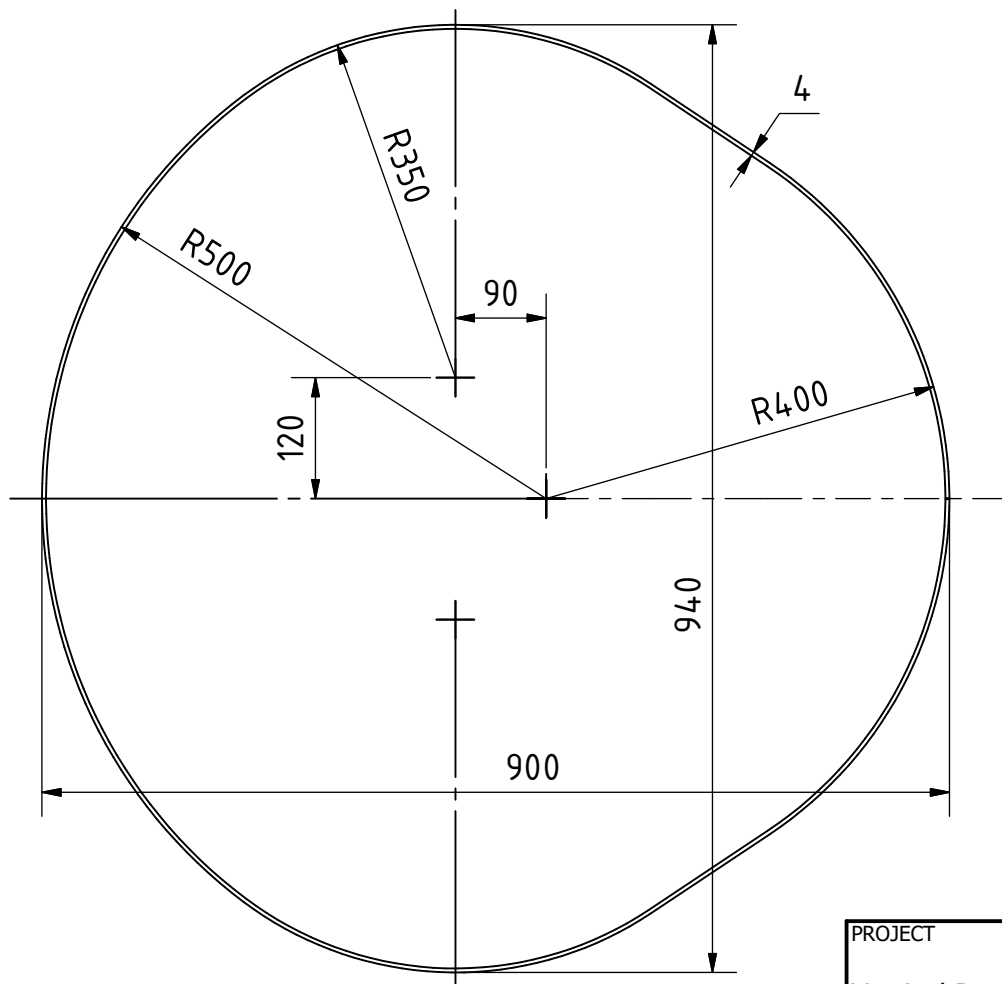
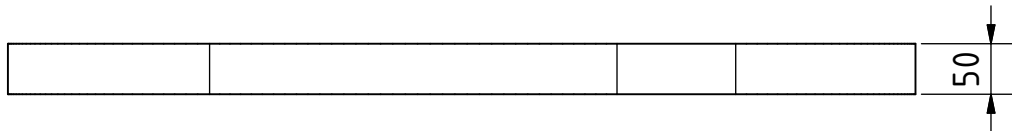
PROJECT	CREATED BY	APPROVED BY	DATE	VERSION
Vertical Drum Hemp Harvester	A. Morillo	D. Jaeger	28-05-2024	0.07
PART NAME	SPECIFICACIONES			CODE
Part 1.1.11	Steel 235J2			1.1.11
DEVELOPED BY	REDESIGNED BY	FILENAME		QTY
		1.1.11.ipt		2
		LICENSE	DOC. TYPE	SCALE
		CC-BY-SA 4.0	Part	1 : 2
Handfasser				35 /215



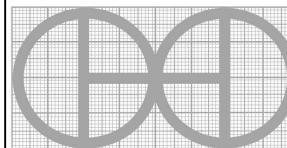
OHO e.V.



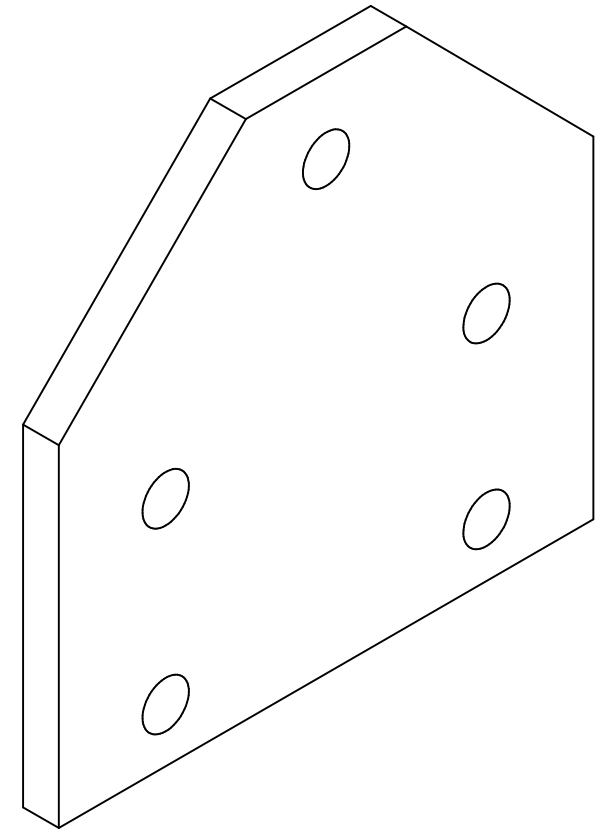
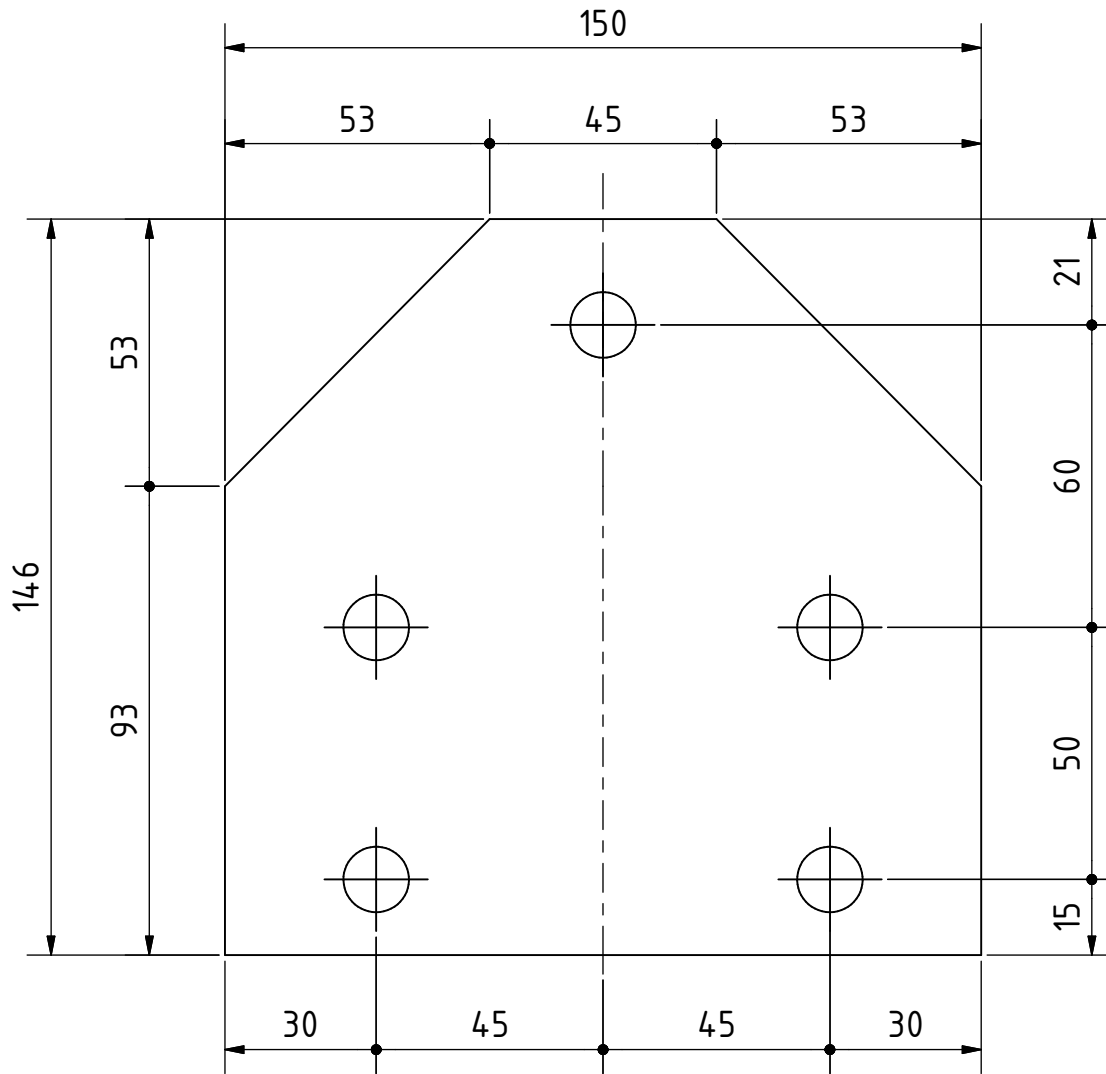
PROJECT	CREATED BY	APPROVED BY	DATE	VERSION
Vertical Drum Hemp Harvester	A. Morillo	D. Jaeger	28-05-2024	0.07
PART NAME	SPECIFICACIONES			CODE
Part 1.1.12	Steel 235J2			1.1.12
DEVELOPED BY	REDESIGNED BY	FILENAME		QTY
		1.1.12.ipt		1
		LICENSE	DOC. TYPE	SCALE
Hanfasser		CC-BY-SA 4.0	Part	2 : 15
				SHEET
				36 /215

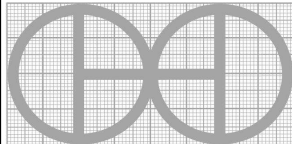


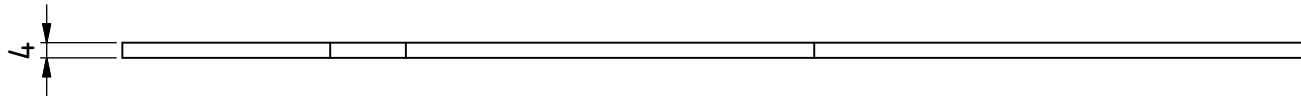
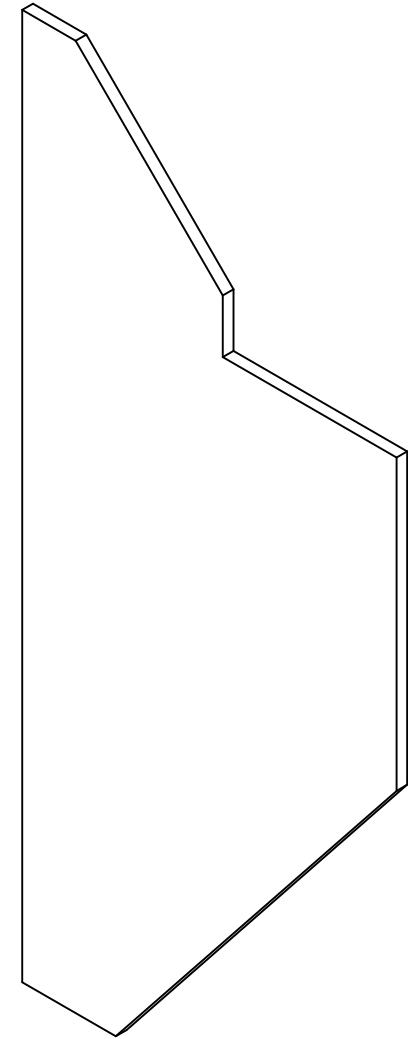
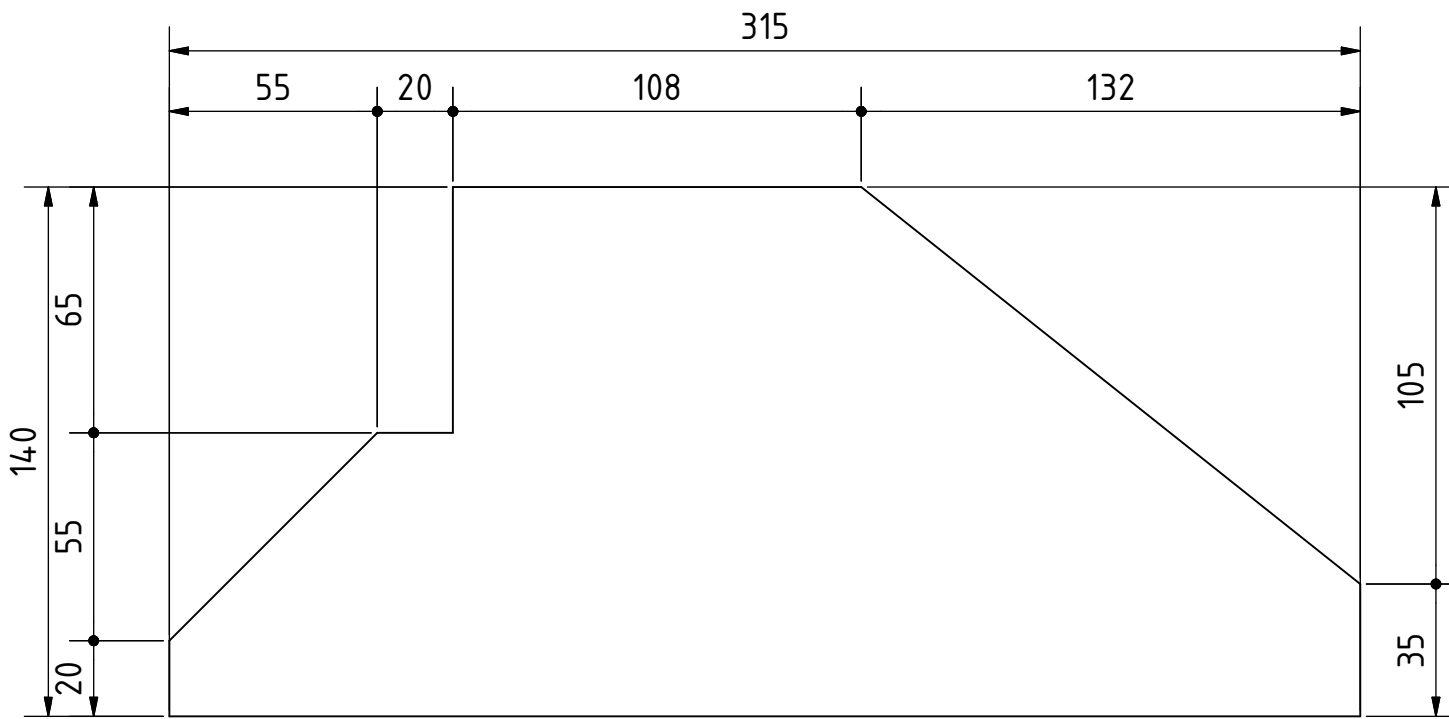
PROJECT	CREATED BY	APPROVED BY	DATE	VERSION
Vertical Drum Hemp Harvester	A. Morillo	D. Jaeger	28-05-2024	0.07
PART NAME	SPECIFICACIONES			CODE
Part 1.1.13	Flat bar 50*4 mm			1.1.13
DEVELOPED BY	REDESIGNED BY	FILENAME		QTY
		1.1.13.ipt		1
		LICENSE	DOC. TYPE	SCALE
		CC-BY-SA 4.0	Part	2 : 15
Handfasser				37 /215

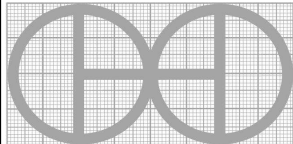


OHO e.V.

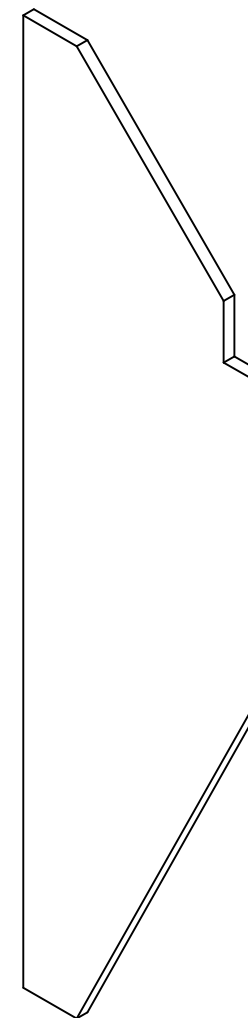
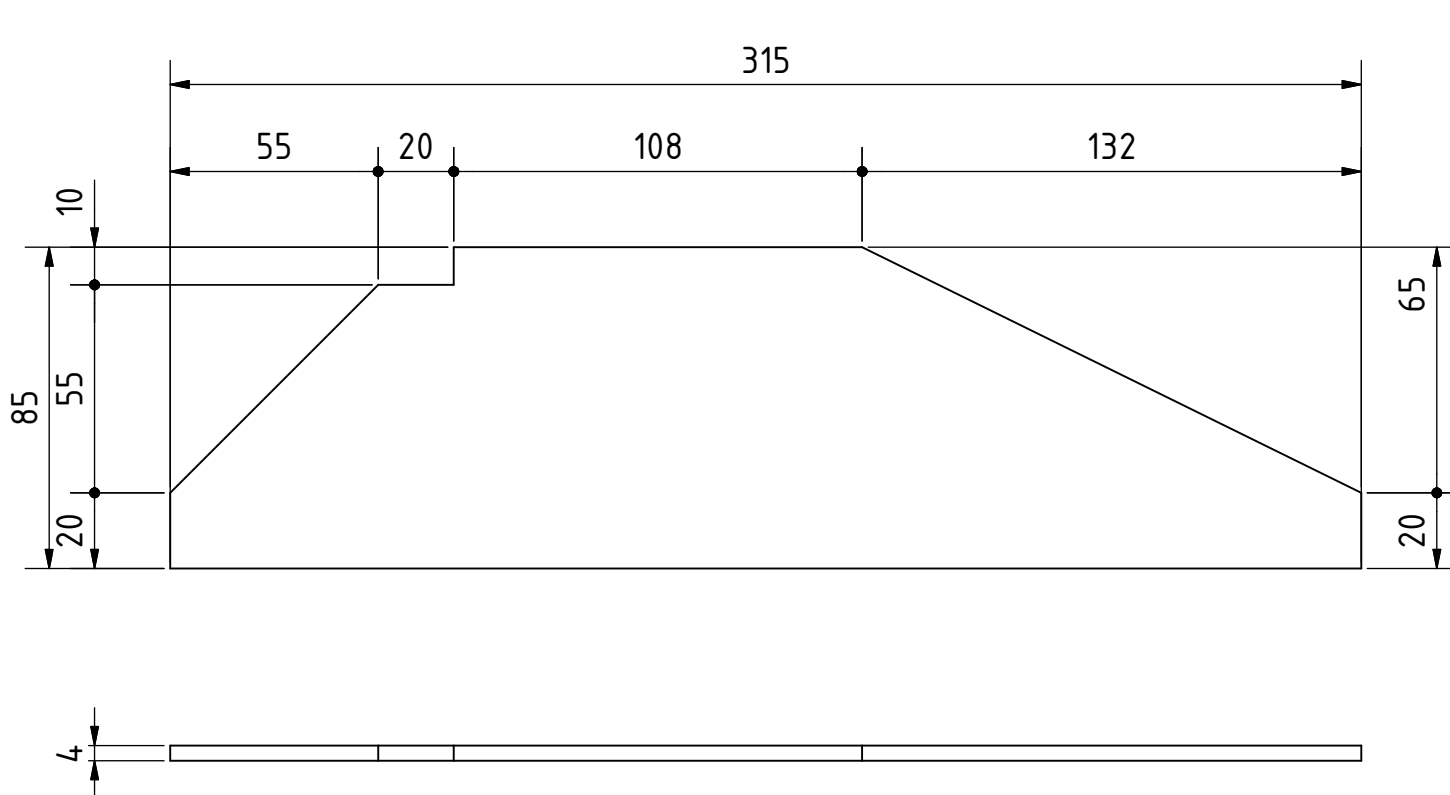


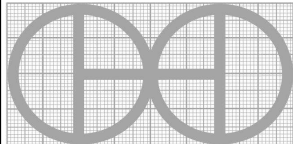
PROJECT	CREATED BY	APPROVED BY	DATE	VERSION
Vertical Drum Hemp Harvester	A. Morillo	D. Jaeger	28-05-2024	0.07
PART NAME	SPECIFICACIONES			CODE
Part 1.1.14	Steel 235J2			1.1.14
DEVELOPED BY	REDESIGNED BY	FILENAME		QTY
		1.1.14.ipt		3
Hanfasser		LICENSE	DOC. TYPE	SCALE
		CC-BY-SA 4.0	Part	2 : 3
				SHEET
				38 /215

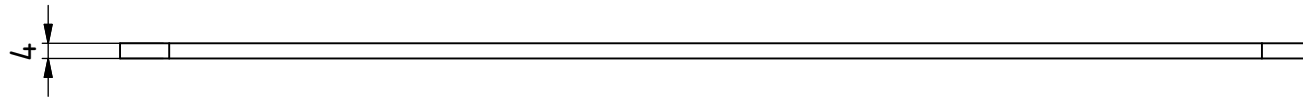
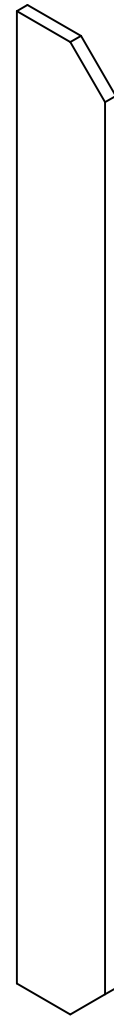
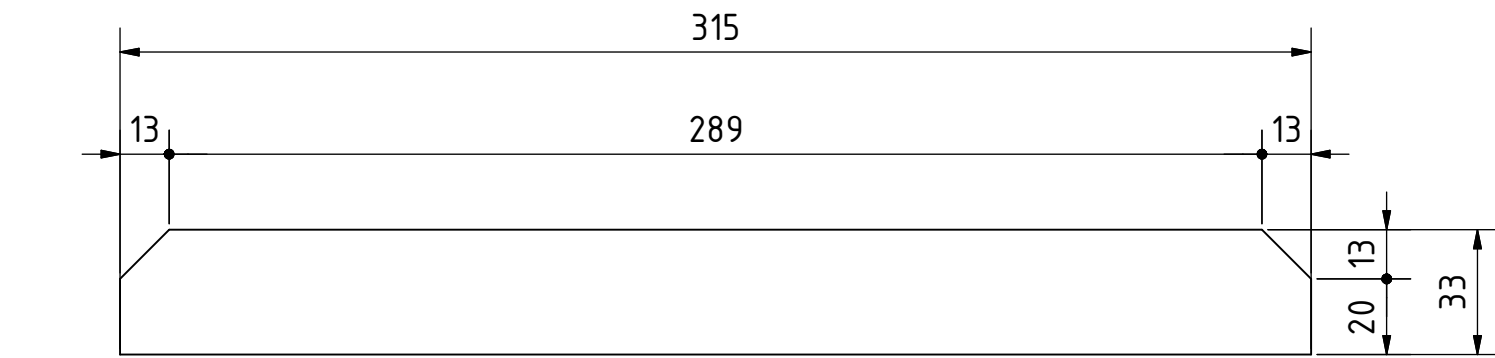


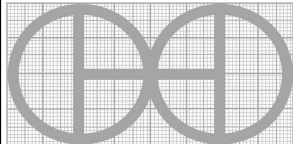
PROJECT	CREATED BY	APPROVED BY	DATE	VERSION
Vertical Drum Hemp Harvester	A. Morillo	D. Jaeger	28-05-2024	0.07
PART NAME	SPECIFICACIONES			CODE
Part 1.1.15_1	Steel 235J2			1.1.15
DEVELOPED BY	REDESIGNED BY	FILENAME		QTY
		1.1.15_1.ipt		2
Hanfasser		LICENSE	DOC. TYPE	SCALE
		CC-BY-SA 4.0	Part	2 : 3
				SHEET
				39 /215

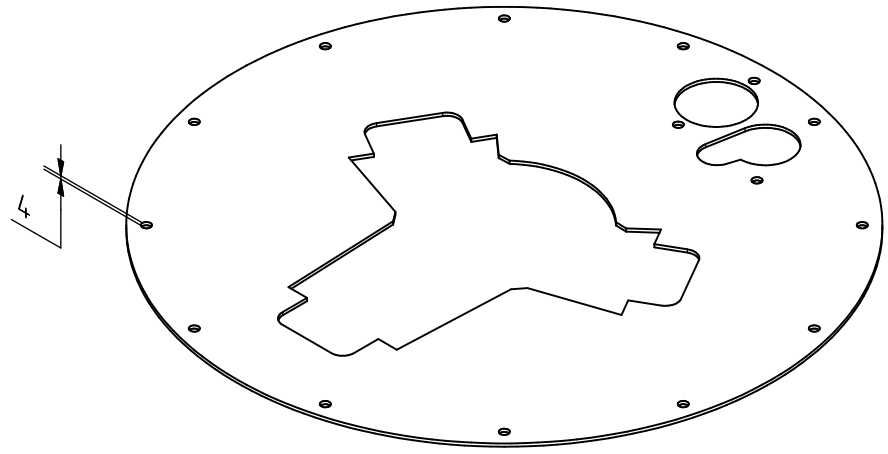
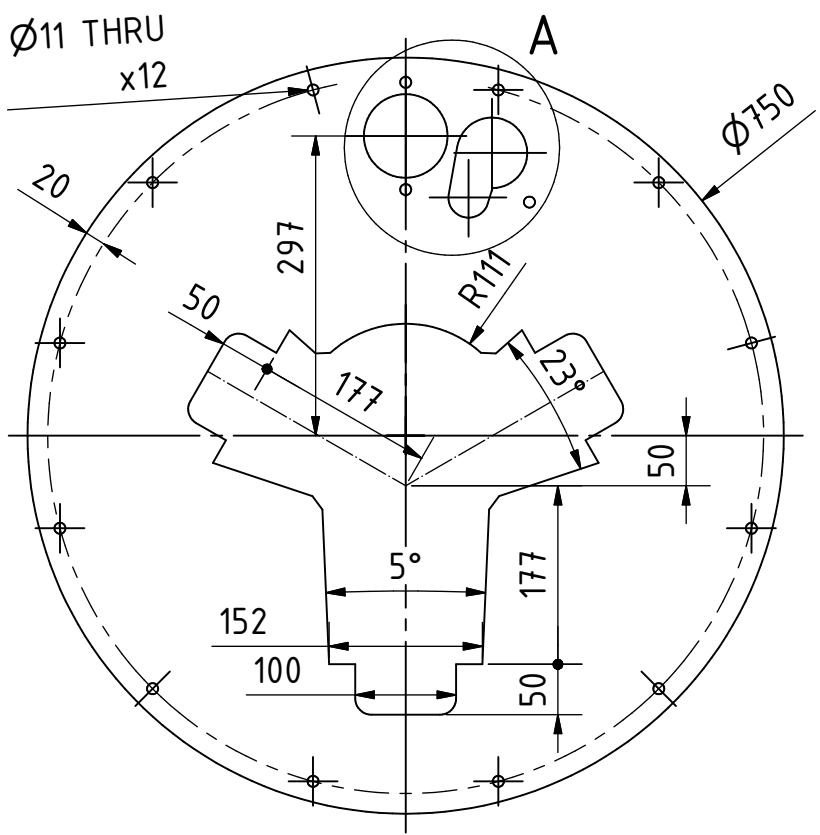
OHO e.V.



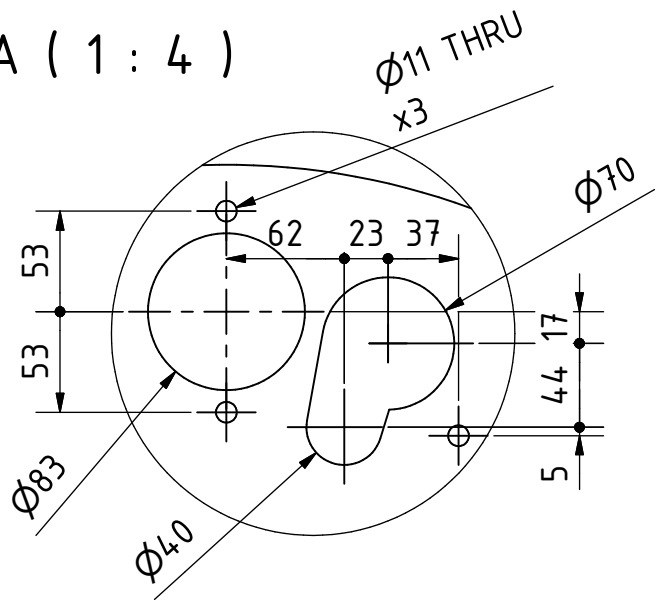
PROJECT	CREATED BY	APPROVED BY	DATE	VERSION	
Vertical Drum Hemp Harvester	A. Morillo	D. Jaeger	28-05-2024	0.07	
PART NAME	SPECIFICACIONES			CODE	
Part 1.1.15_2	Steel 235J2			1.1.15	
DEVELOPED BY	REDESIGNED BY	FILENAME		QTY	
Hanfasser		1.1.15.ipt		2	
		LICENSE	DOC. TYPE	SCALE	SHEET
		CC-BY-SA 4.0	Part	1 : 2	40 /215



PROJECT		CREATED BY		APPROVED BY		DATE		VERSION	
Vertical Drum Hemp Harvester		A. Morillo		D. Jaeger		28-05-2024		0.07	
PART NAME		SPECIFICACIONES						CODE	
Part 1.1.15_3		Steel 235J2						1.1.15	
DEVELOPED BY		REDESIGNED BY		FILENAME			QTY		
Hanfasser				1.1.15.ipt			2		
				LICENSE	DOC. TYPE	SCALE	SHEET		
				CC-BY-SA 4.0	Part	1 : 2		41 /215	

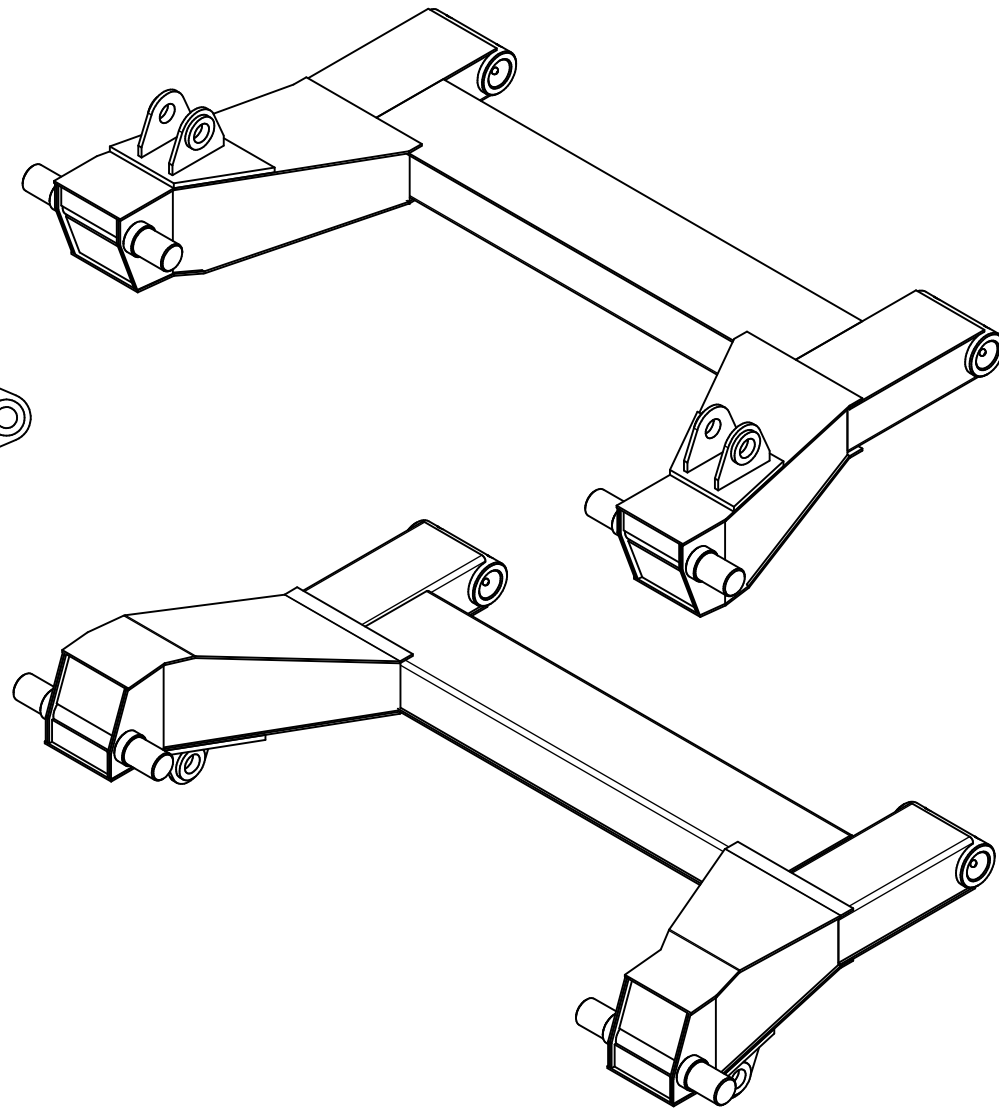
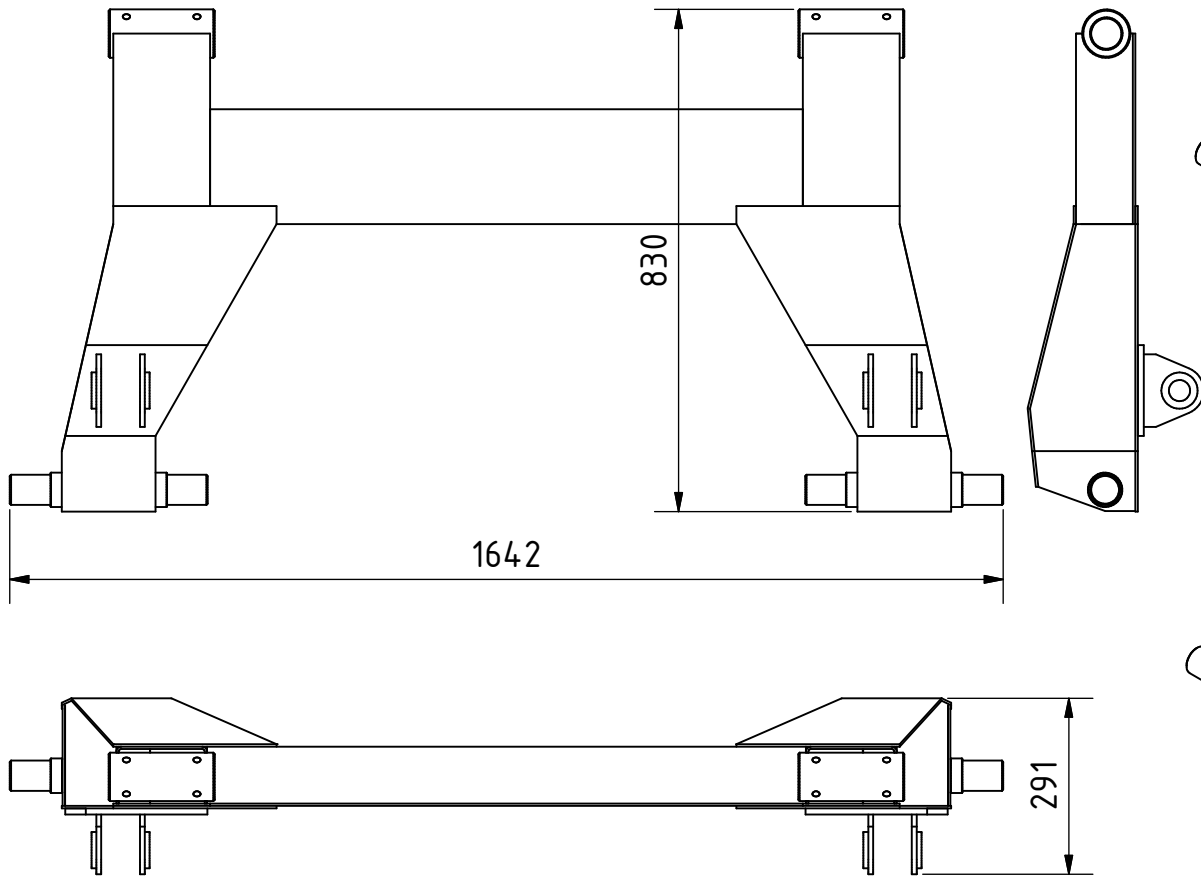


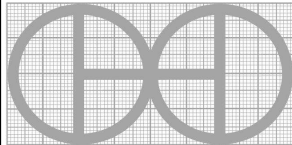
A (1 : 4)

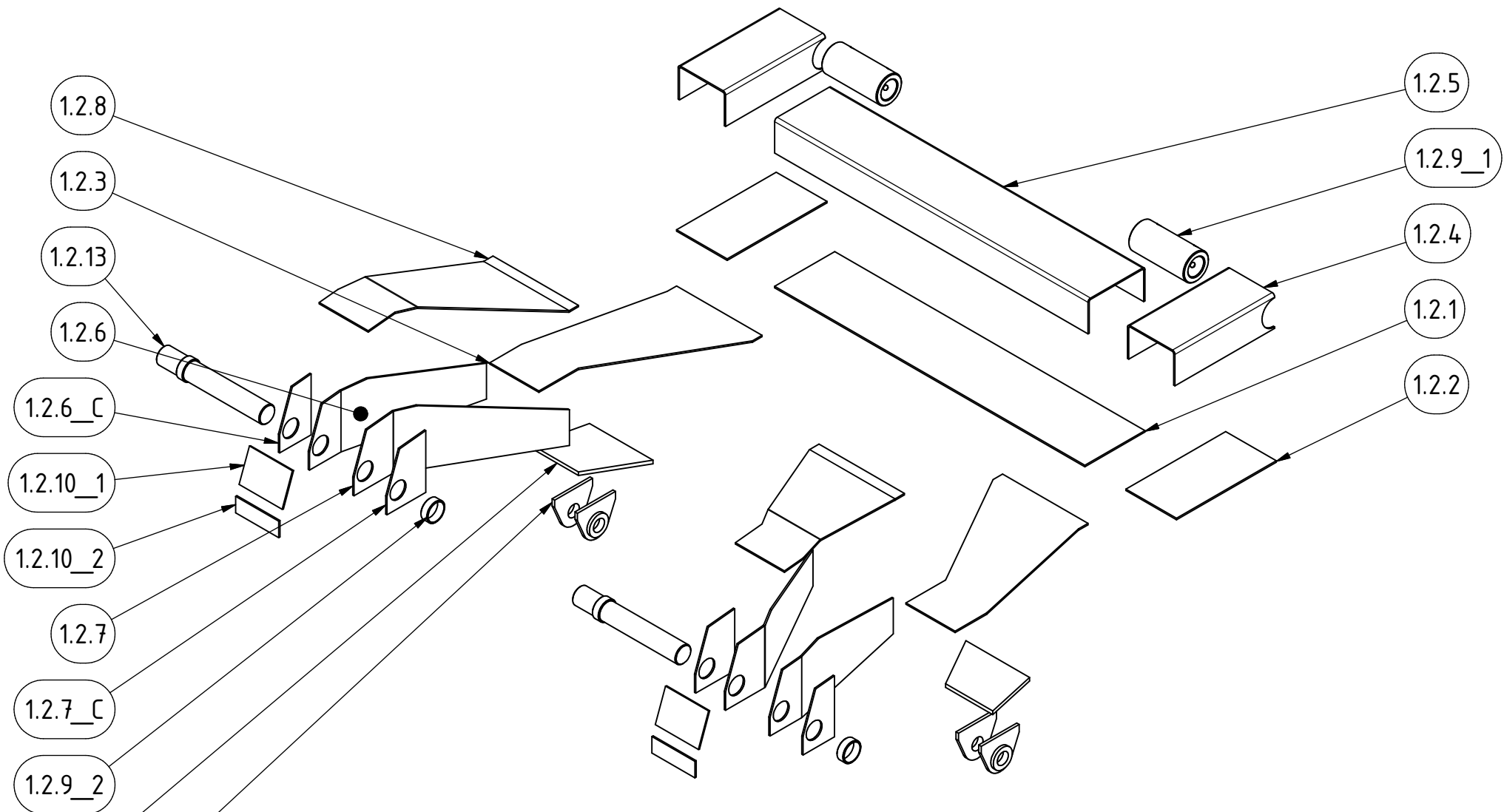


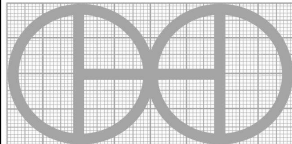
Symmetrical item

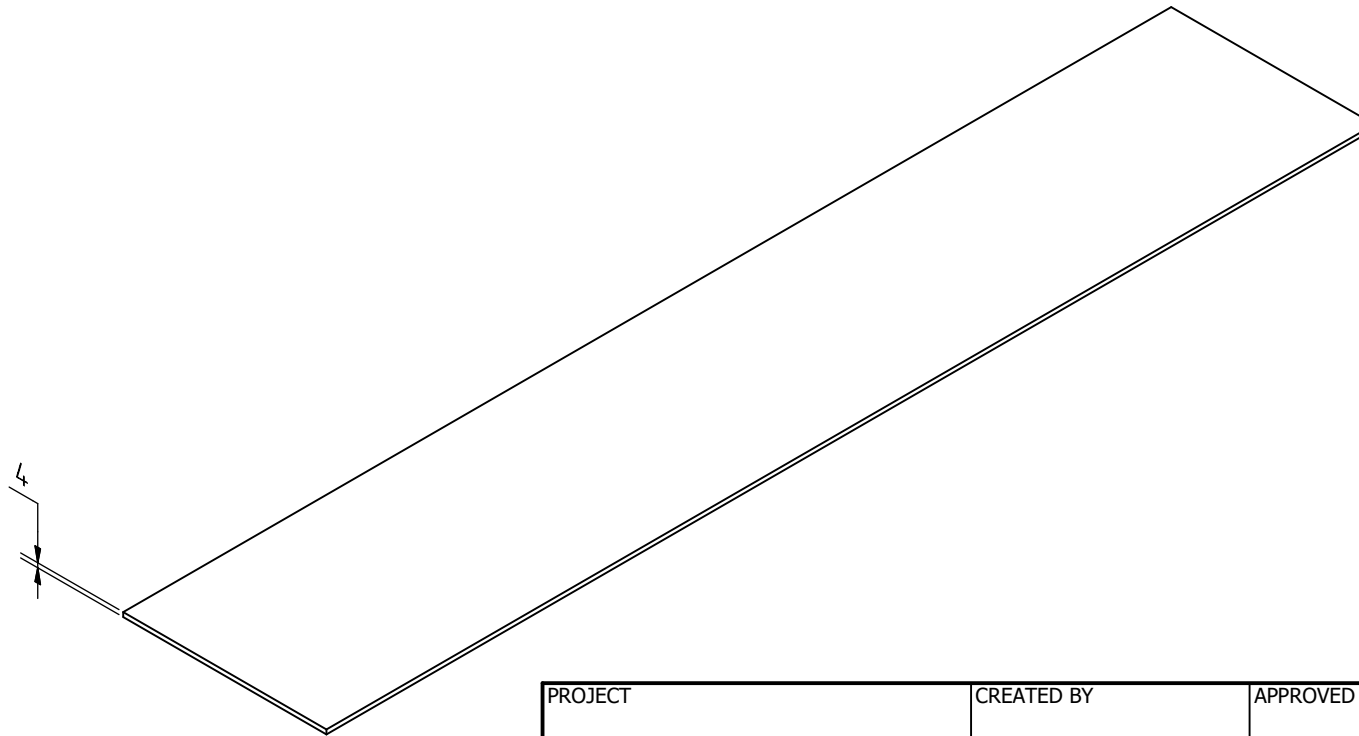
PROJECT	CREATED BY	APPROVED BY	DATE	VERSION	
Vertical Drum Hemp Harvester	A. Morillo	D. Jaeger	28-05-2024	0.07	
PART NAME	SPECIFICACIONES			CODE	
Part 1.1.16	Steel 235J2			1.1.16	
DEVELOPED BY	REDESIGNED BY	FILENAME	QTY		
Hanfasser		OHO e.v. 1.1.16.ipt	1		
		LICENSE	DOC. TYPE	SCALE	SHEET
		CC-BY-SA 4.0	Part	2 : 15	42 /215

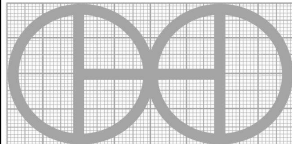


PROJECT		CREATED BY		APPROVED BY		DATE		VERSION		
Vertical Drum Hemp Harvester		A. Morillo		D. Jaeger		28-05-2024		0.07		
PART NAME		SPECIFICACIONES							CODE	
Upper handlebar									1.2.0	
DEVELOPED BY		REDESIGNED BY		FILENAME				QTY		
				1.2.iam				1		
Hanfasser				OHO e.V.		LICENSE		DOC. TYPE		
				CC-BY-SA 4.0		Assembly		SCALE		
						2 : 25		SHEET		
								43 /215		

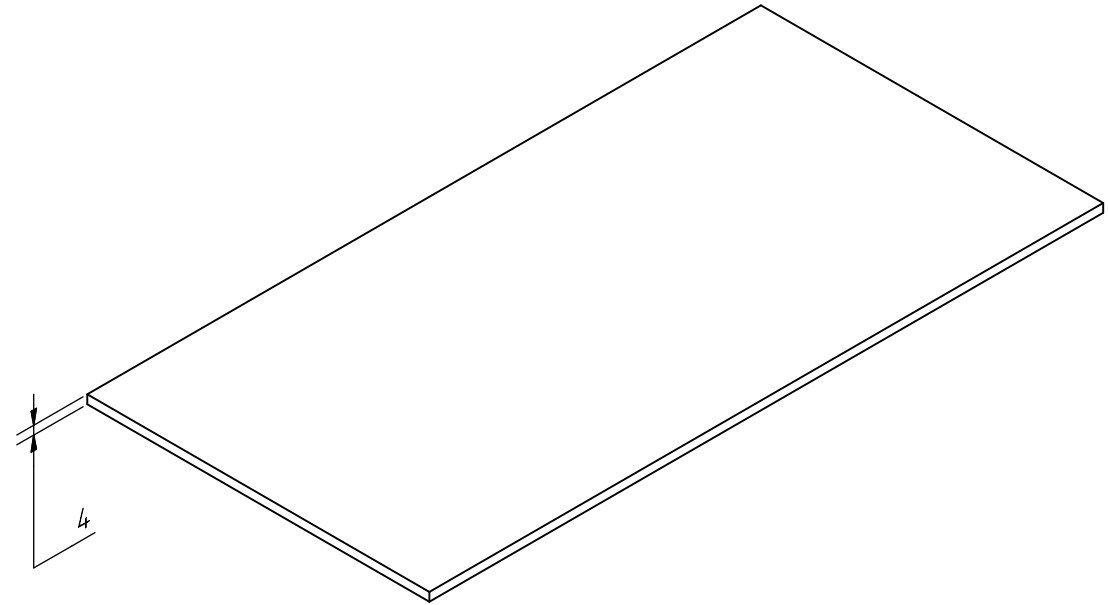
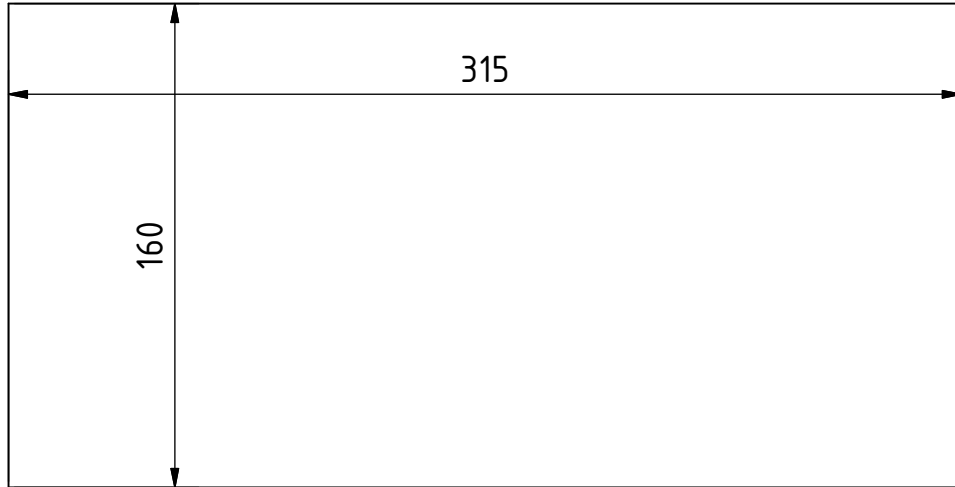


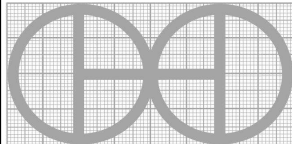
PROJECT		CREATED BY		APPROVED BY		DATE		VERSION	
Vertical Drum Hemp Harvester		A. Morillo		D. Jaeger		28-05-2024		0.07	
PART NAME				SPECIFICACIONES				CODE	
Upper handlebar								1.2.0	
DEVELOPED BY			REDESIGNED BY			FILENAME			QTY
Hanfasser						1.2.ipn			1
LICENSE		DOC. TYPE		SCALE		SHEET			
CC-BY-SA 4.0		Assembly		2 : 25		44 /215			



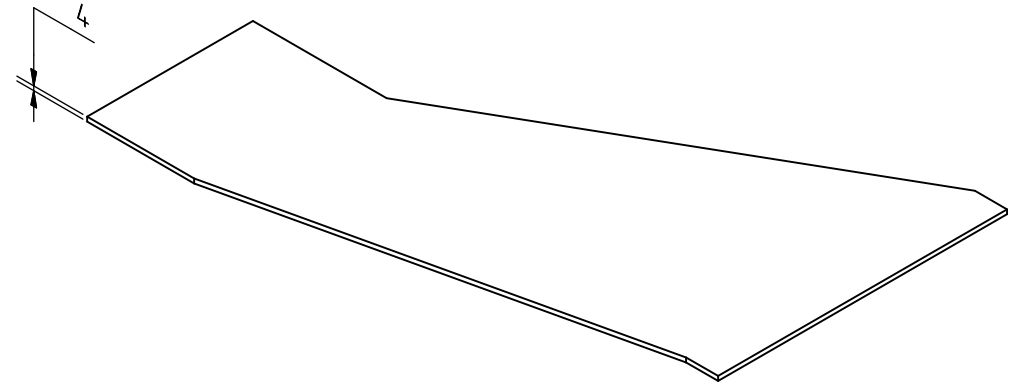
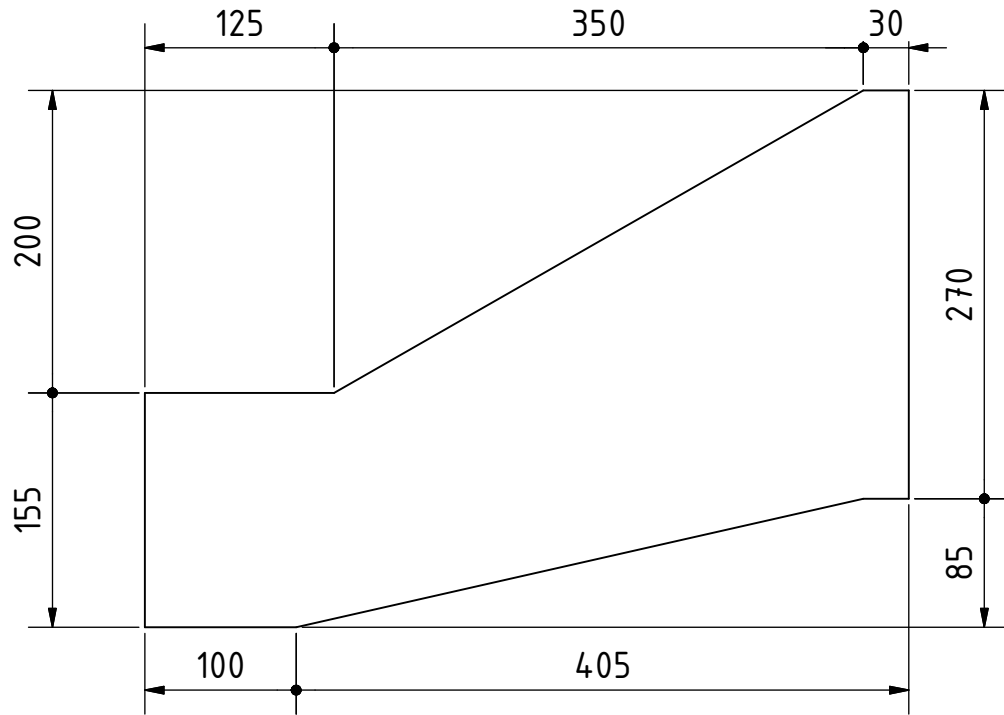
PROJECT	CREATED BY	APPROVED BY	DATE	VERSION	
Vertical Drum Hemp Harvester	A. Morillo	D. Jaeger	28-05-2024	0.07	
PART NAME	SPECIFICACIONES			CODE	
Part 1.2.1	Steel 235J2			1.2.1	
DEVELOPED BY	REDESIGNED BY	FILENAME		QTY	
Hanfasser		1.2.1.ipt		1	
		LICENSE	DOC. TYPE	SCALE	SHEET
		CC-BY-SA 4.0	Part	1 : 5	45 /215

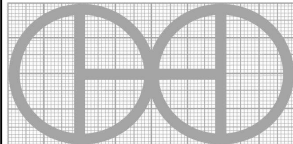
OHO e.V.



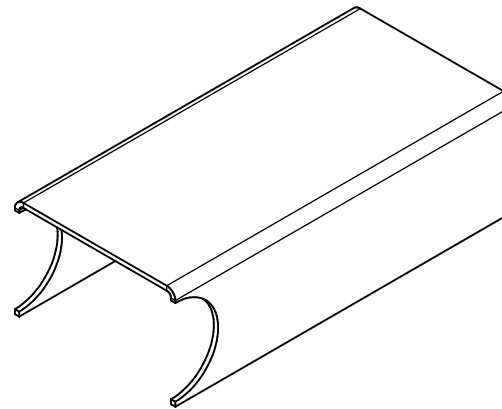
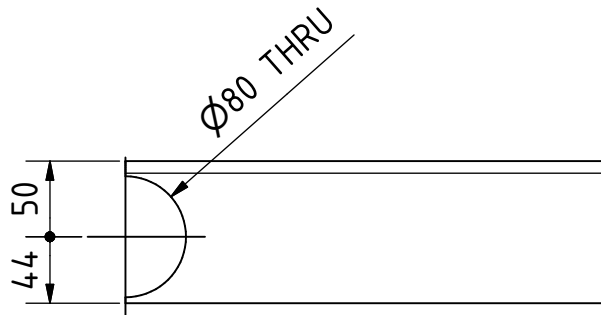
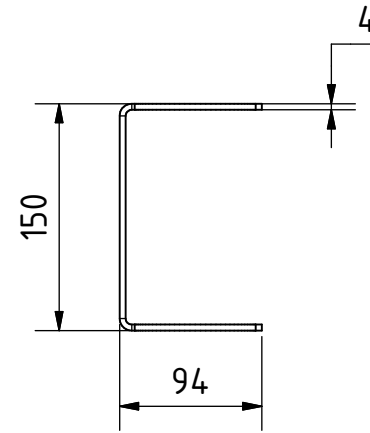
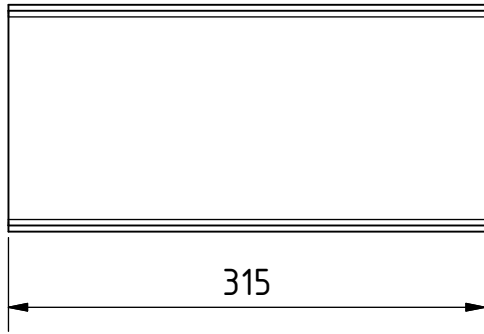
PROJECT	CREATED BY	APPROVED BY	DATE	VERSION	
Vertical Drum Hemp Harvester	A. Morillo	D. Jaeger	28-05-2024	0.07	
PART NAME	SPECIFICACIONES			CODE	
Part 1.2.2	Steel 235J2			1.2.2	
DEVELOPED BY	REDESIGNED BY	FILENAME		QTY	
Hanfasser		1.2.2.ipt		2	
		LICENSE	DOC. TYPE	SCALE	SHEET
		CC-BY-SA 4.0	Part	2 : 5	46 /215

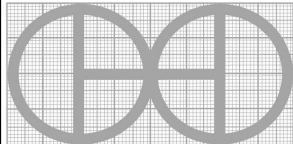
OHO e.V.

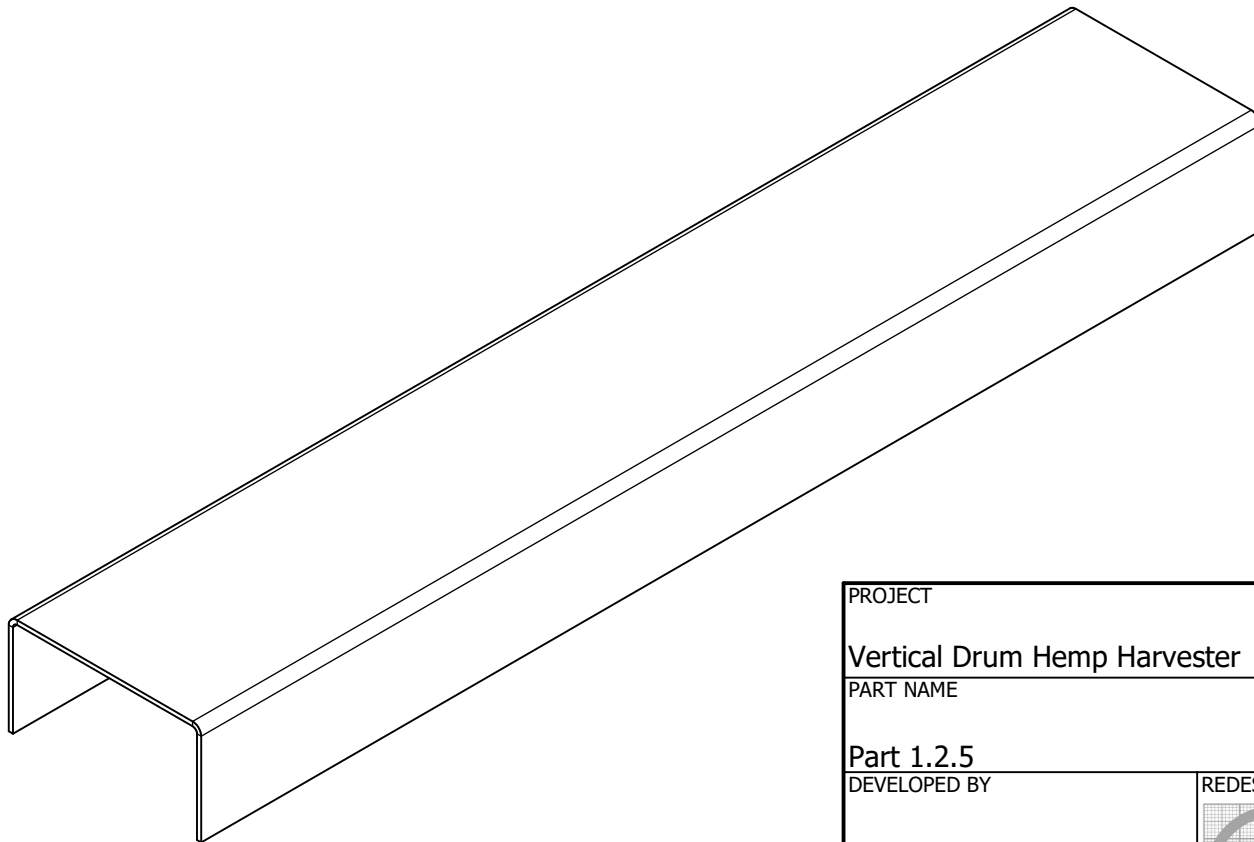
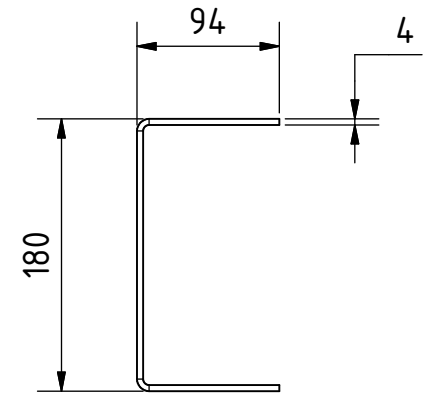
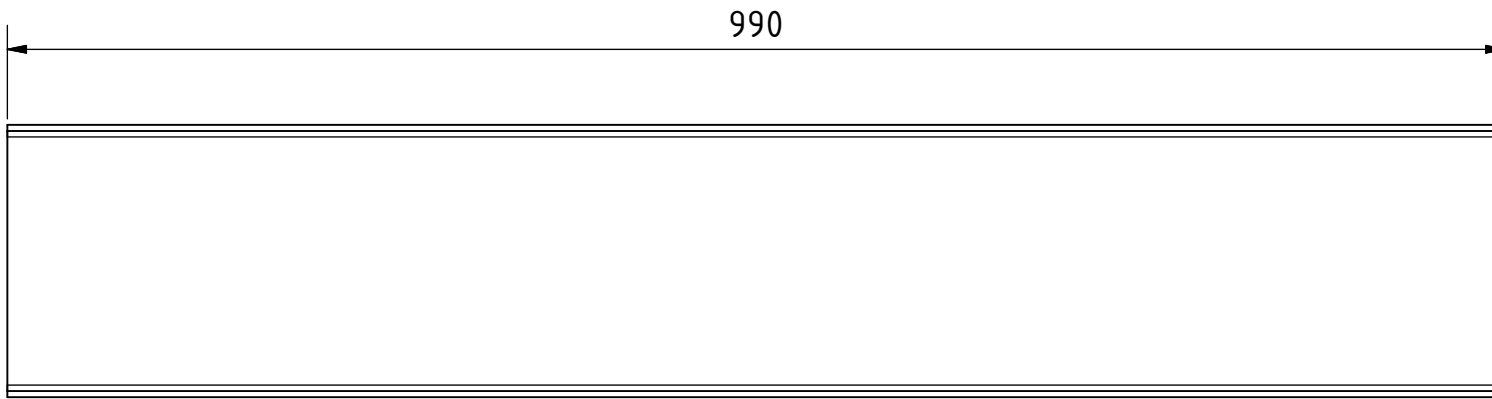


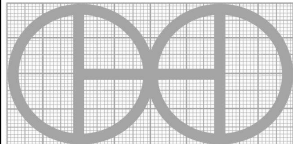
PROJECT	CREATED BY	APPROVED BY	DATE	VERSION
Vertical Drum Hemp Harvester	A. Morillo	D. Jaeger	28-05-2024	0.07
PART NAME	SPECIFICACIONES			CODE
Part 1.2.3	Steel 235J2			1.2.3
DEVELOPED BY	REDESIGNED BY	FILENAME		QTY
		1.2.3.ipt		2
Hanfasser		LICENSE	DOC. TYPE	SHEET
		CC-BY-SA 4.0	Part	1 : 5 47 /215

OHO e.V.

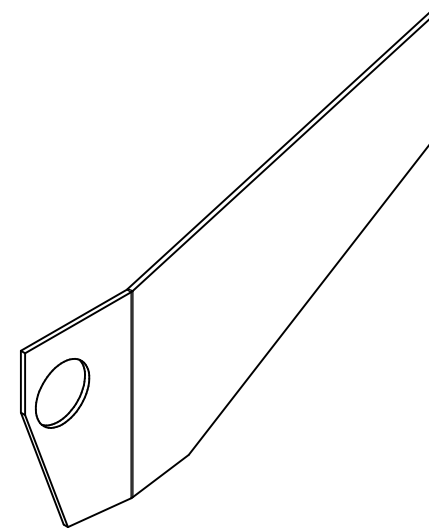
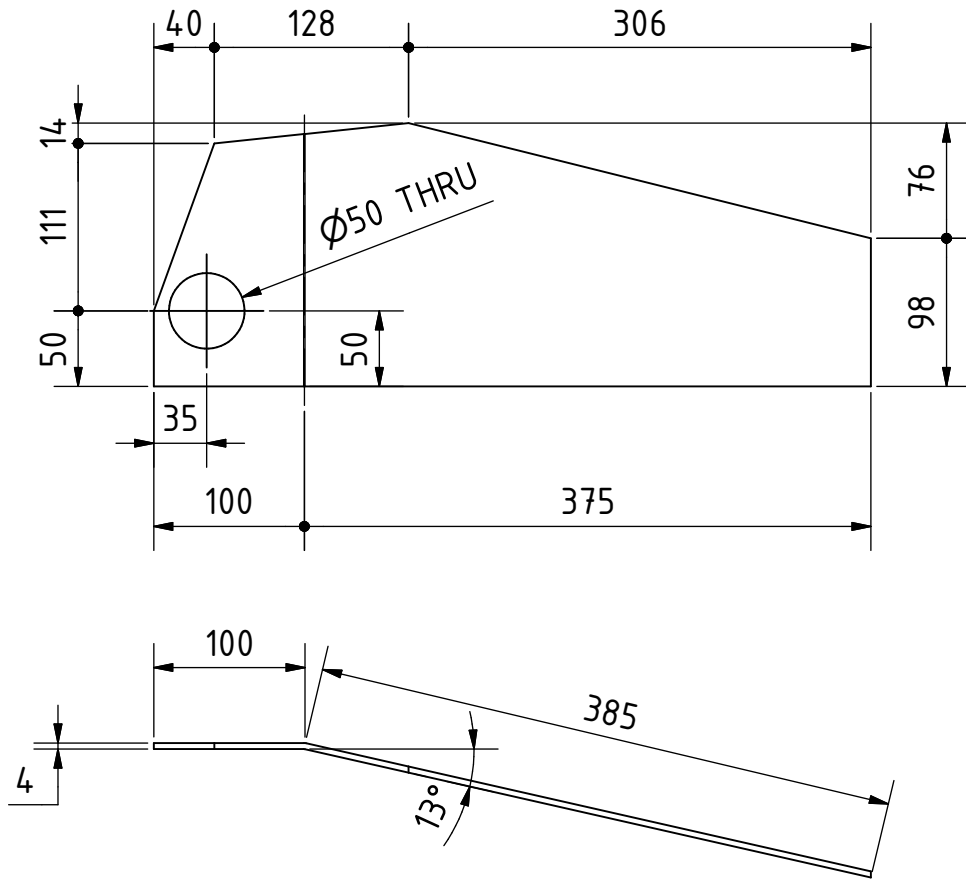


PROJECT	CREATED BY	APPROVED BY	DATE	VERSION
Vertical Drum Hemp Harvester	A. Morillo	D. Jaeger	28-05-2024	0.07
PART NAME	SPECIFICACIONES			CODE
Part 1.2.4	Steel 235J2			1.2.4
DEVELOPED BY	REDESIGNED BY	FILENAME		QTY
Hanfasser		1.2.4.ipt		2
		LICENSE	DOC. TYPE	SCALE
		CC-BY-SA 4.0	Part	1 : 5 48 /215

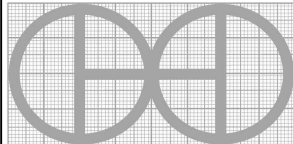


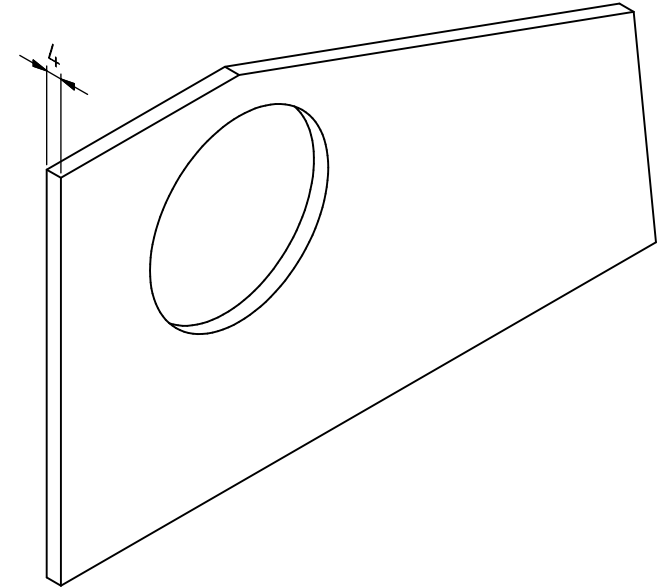
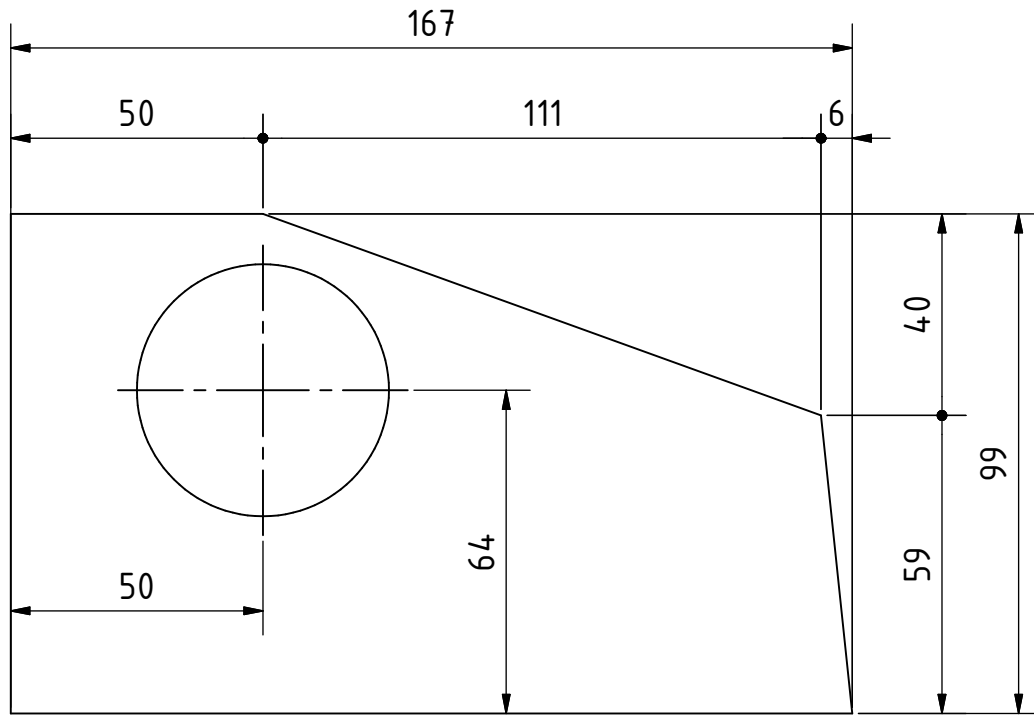
PROJECT	CREATED BY	APPROVED BY	DATE	VERSION	
Vertical Drum Hemp Harvester	A. Morillo	D. Jaeger	28-05-2024	0.07	
PART NAME	SPECIFICACIONES			CODE	
Part 1.2.5	Steel 235J2			1.2.5	
DEVELOPED BY	REDESIGNED BY	FILENAME		QTY	
Hanfasser		1.2.5.ipt		1	
		LICENSE	DOC. TYPE	SCALE	SHEET
		CC-BY-SA 4.0	Part	1 : 5	49 /215

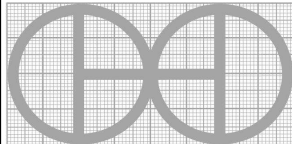
OHO e.V.

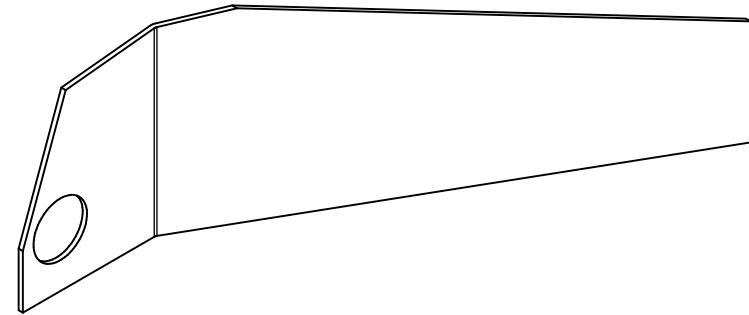
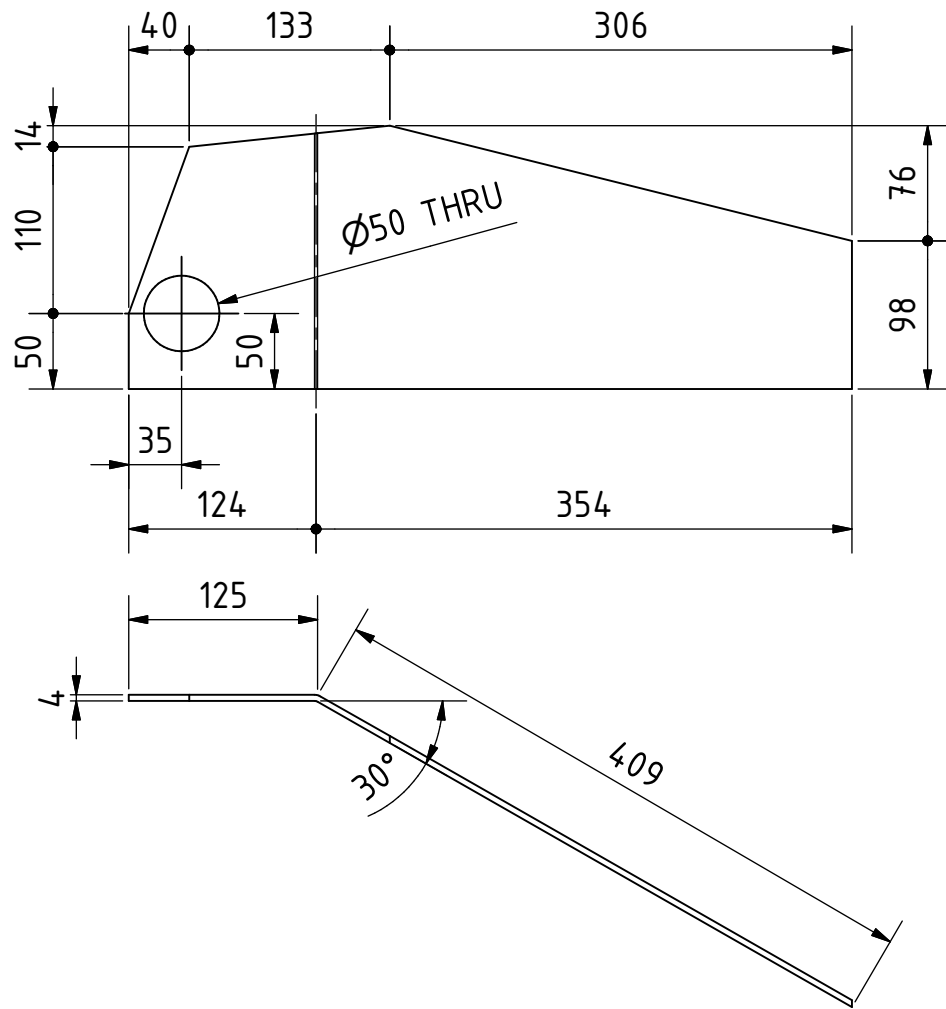


Symmetrical item

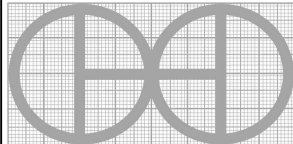
PROJECT	CREATED BY	APPROVED BY	DATE	VERSION	
Vertical Drum Hemp Harvester	A. Morillo	D. Jaeger	28-05-2024	0.07	
PART NAME	SPECIFICACIONES			CODE	
Part 1.2.6				1.2.6	
DEVELOPED BY	REDESIGNED BY	FILENAME		QTY	
		1.2.6.ipt			
Hanfasser		LICENSE	DOC. TYPE	SCALE	SHEET
		CC-BY-SA 4.0	Part	1 : 5	50 /215

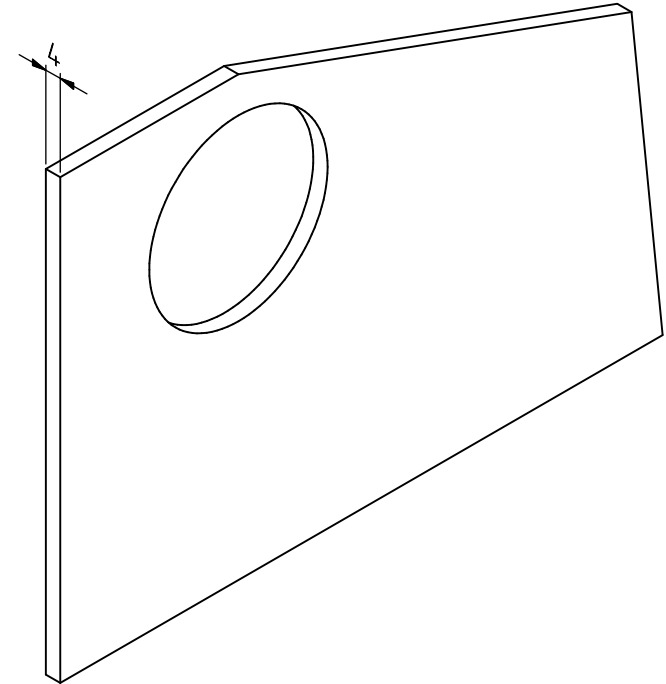
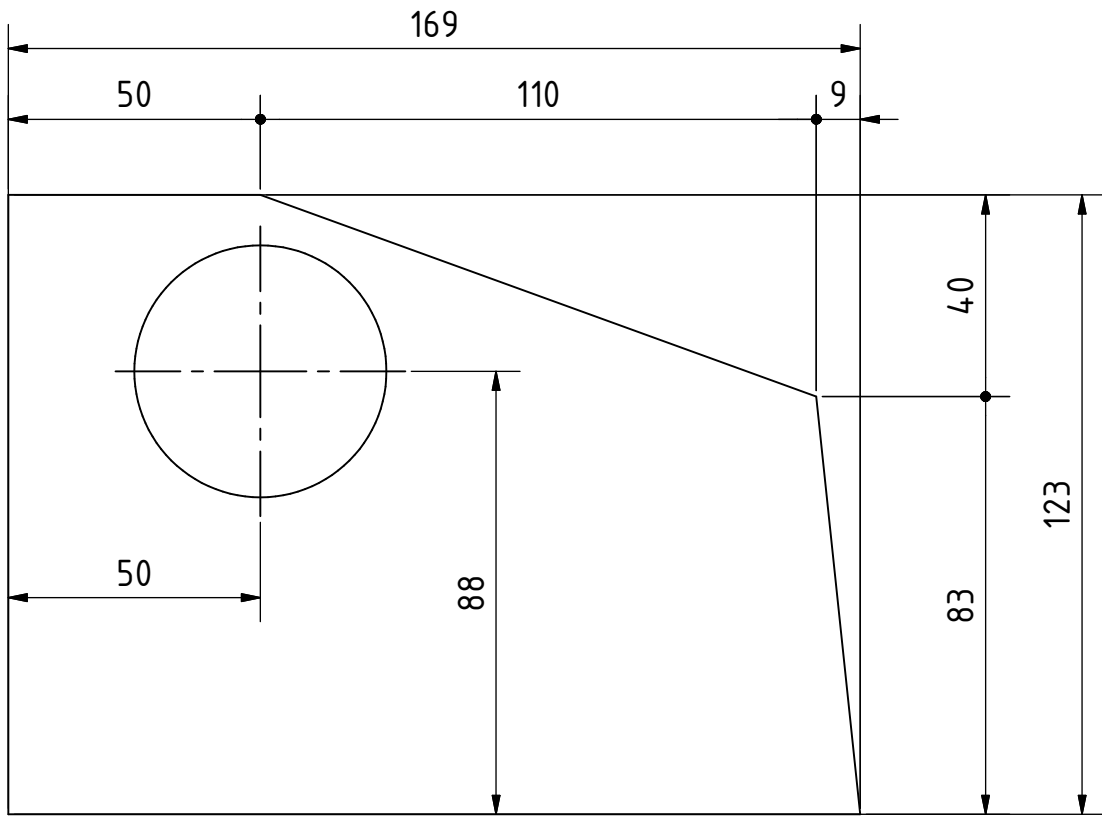


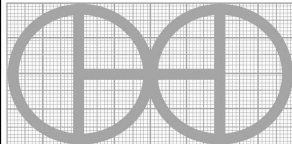
PROJECT		CREATED BY		APPROVED BY		DATE		VERSION	
Vertical Drum Hemp Harvester		A. Morillo		D. Jaeger		28-05-2024		0.07	
PART NAME		SPECIFICACIONES						CODE	
Part 1.2.6_C		Steel 235J2						1.2.6_C	
DEVELOPED BY		REDESIGNED BY		FILENAME				QTY	
Hanfasser				1.2.6_C.ipt				2	
		OHO e.V.		LICENSE		DOC. TYPE		SCALE	
				CC-BY-SA 4.0		Part		2 : 3	
								SHEET	
								51 /215	

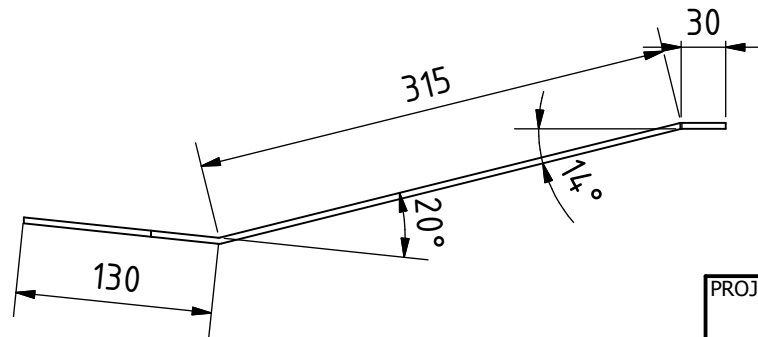
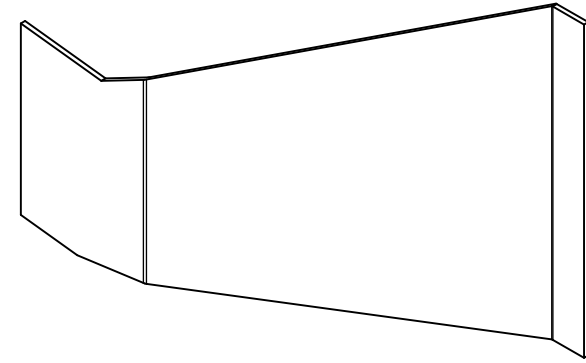
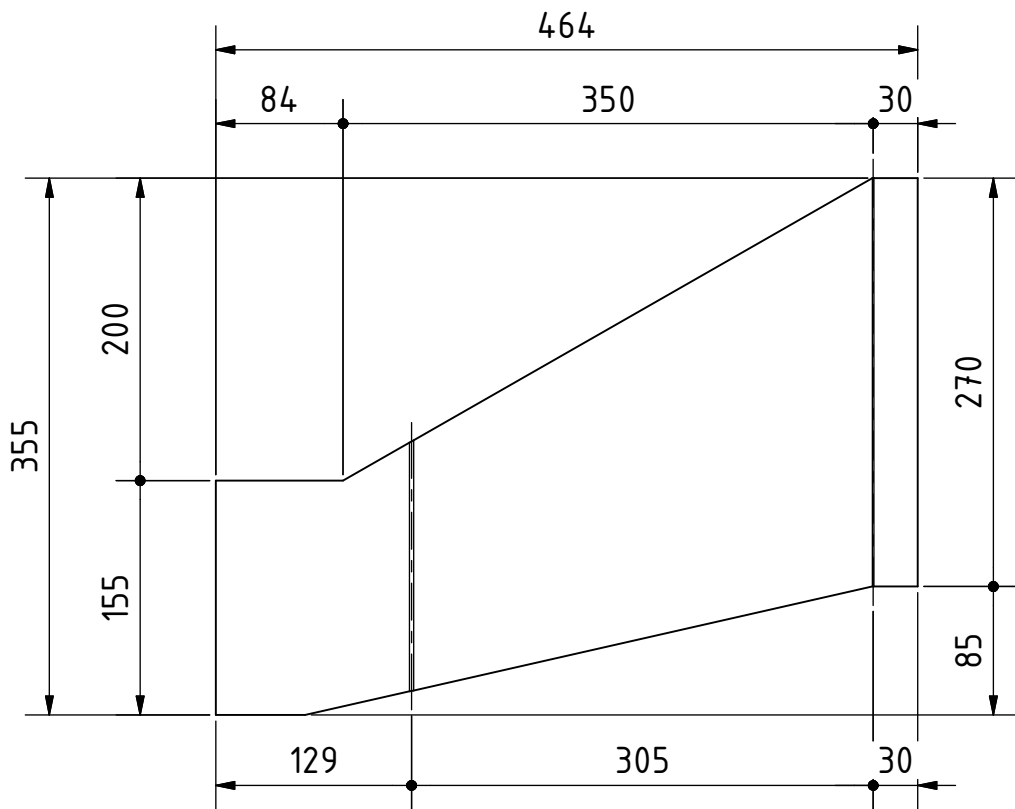


Symmetrical item

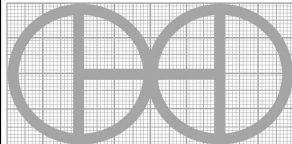
PROJECT	CREATED BY	APPROVED BY	DATE	VERSION
Vertical Drum Hemp Harvester	A. Morillo	D. Jaeger	28-05-2024	0.07
PART NAME	SPECIFICACIONES			CODE
Part 1.2.7				1.2.7
DEVELOPED BY	REDESIGNED BY	FILENAME		QTY
		1.2.7.ipt		
Hanfasser		LICENSE	DOC. TYPE	SCALE
		CC-BY-SA 4.0	Part	1 : 5
				SHEET
				52 /215



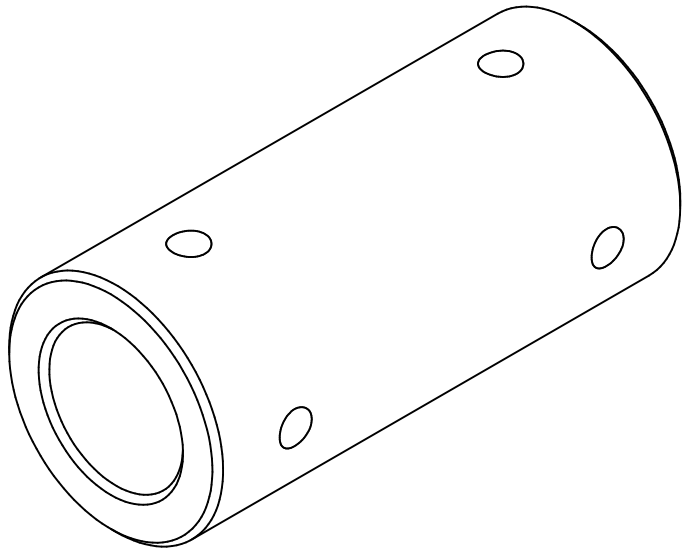
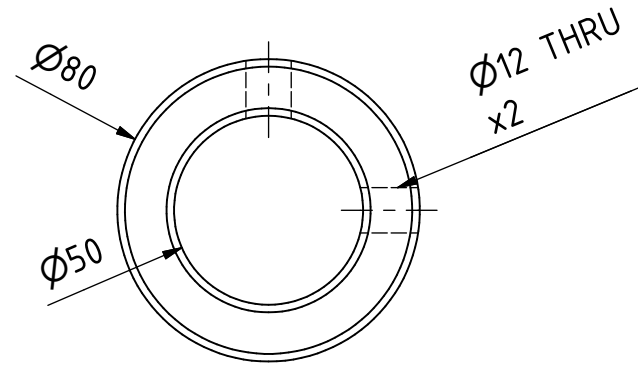
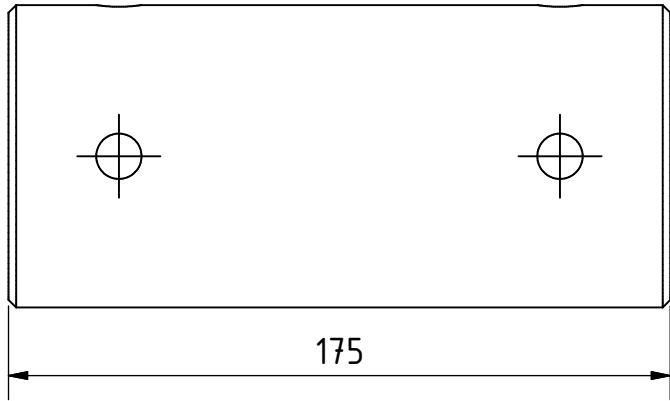
PROJECT	CREATED BY	APPROVED BY	DATE	VERSION	
Vertical Drum Hemp Harvester	A. Morillo	D. Jaeger	28-05-2024	0.07	
PART NAME	SPECIFICACIONES			CODE	
Part 1.2.7_C	Steel 235J2			1.2.7_C	
DEVELOPED BY	REDESIGNED BY	FILENAME		QTY	
Hanfasser		1.2.7_C.ipt		2	
		LICENSE	DOC. TYPE	SCALE	SHEET
		CC-BY-SA 4.0	Part	2 : 3	53 /215

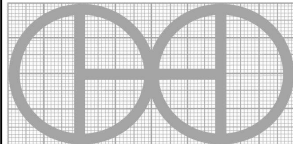


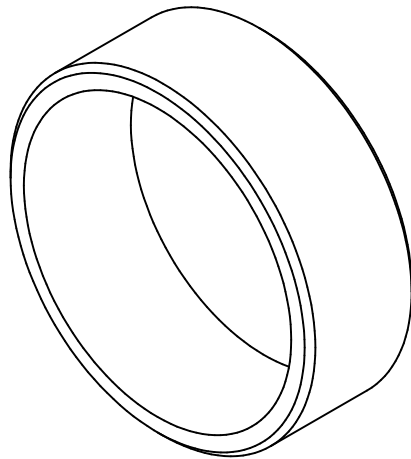
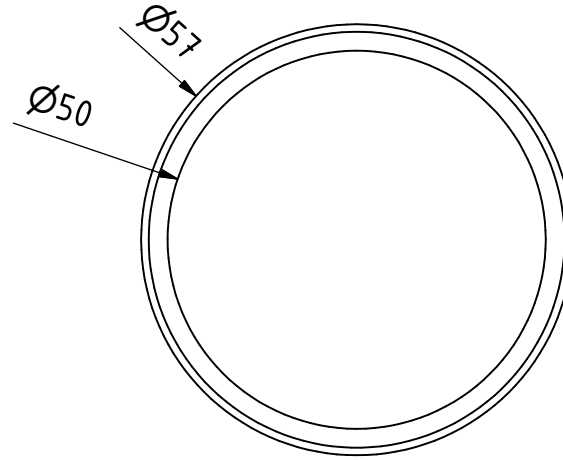
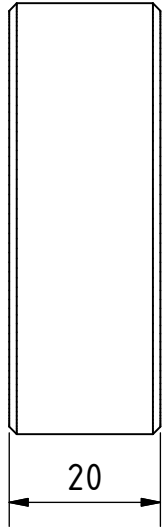
Symmetrical item

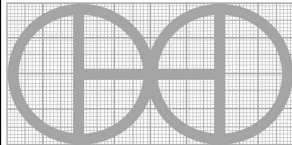
PROJECT	CREATED BY	APPROVED BY	DATE	VERSION
Vertical Drum Hemp Harvester	A. Morillo	D. Jaeger	28-05-2024	0.07
PART NAME	SPECIFICACIONES			CODE
Part 1.2.8	Steel 235J2			1.2.8
DEVELOPED BY	REDESIGNED BY	FILENAME		QTY
		1.2.8.ipt		2
Hanfasser		LICENSE	DOC. TYPE	SHEET
		CC-BY-SA 4.0	Part	1 : 5 54 /215

OHO e.v.

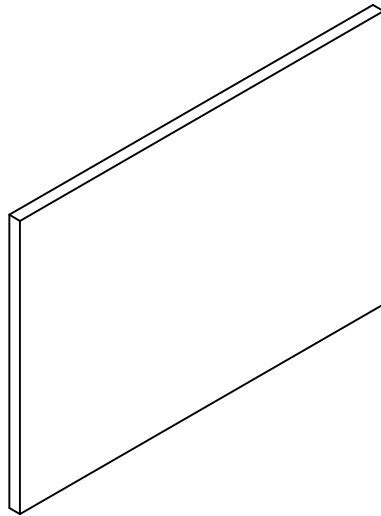
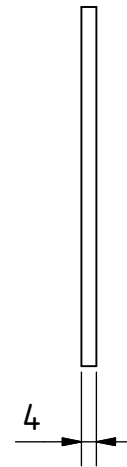
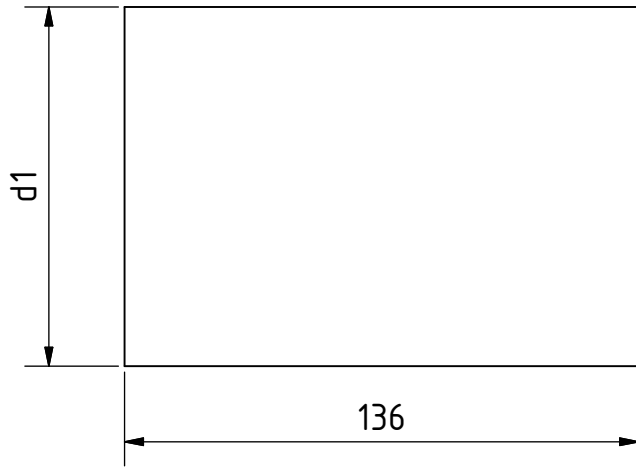


PROJECT	CREATED BY	APPROVED BY	DATE	VERSION	
Vertical Drum Hemp Harvester	A. Morillo	D. Jaeger	28-05-2024	0.07	
PART NAME	SPECIFICACIONES			CODE	
Part 1.2.9_1	Steel 235J2			1.2.9_1	
DEVELOPED BY	REDESIGNED BY	FILENAME		QTY	
Hanfasser		1.2.9.ipt		2	
		LICENSE	DOC. TYPE	SCALE	SHEET
		CC-BY-SA 4.0	Part	1 : 2	55 /215

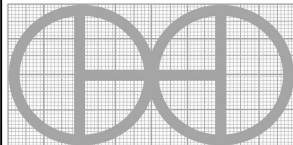


PROJECT	CREATED BY	APPROVED BY	DATE	VERSION	
Vertical Drum Hemp Harvester	A. Morillo	D. Jaeger	28-05-2024	0.07	
PART NAME	SPECIFICACIONES			CODE	
Part 1.2.9_2	Steel 235J2			1.2.9_2	
DEVELOPED BY	REDESIGNED BY	FILENAME		QTY	
Hanfasser		1.2.9_A.ipt		4	
		LICENSE	DOC. TYPE	SCALE	SHEET
		CC-BY-SA 4.0	Part	1 : 1	56 /215

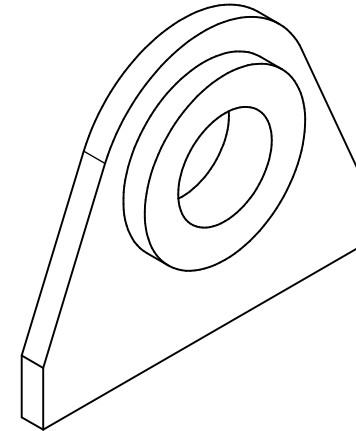
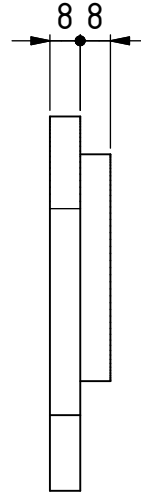
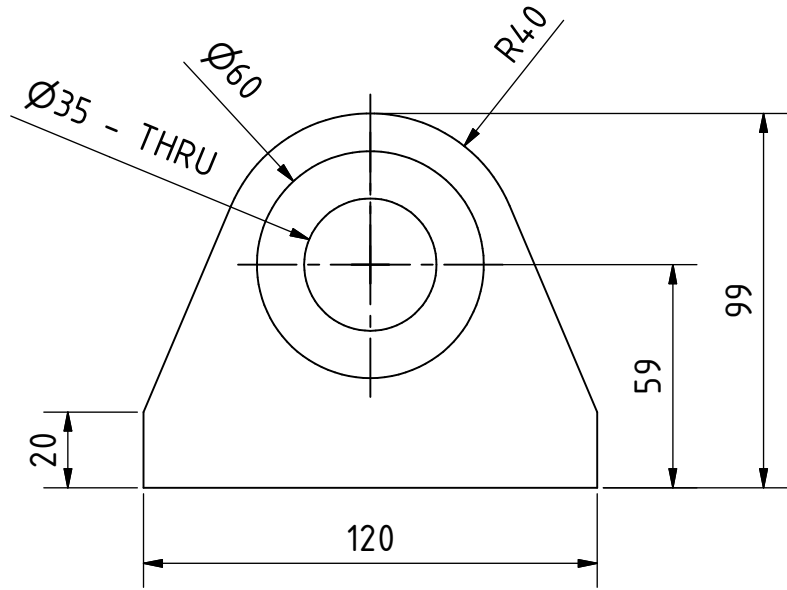
OHO e.V.

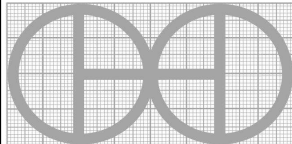


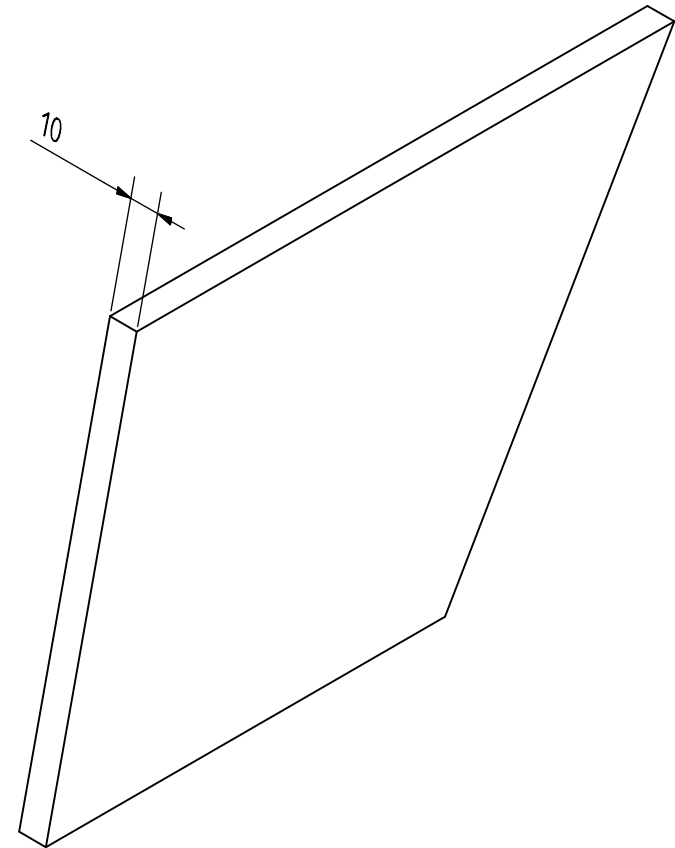
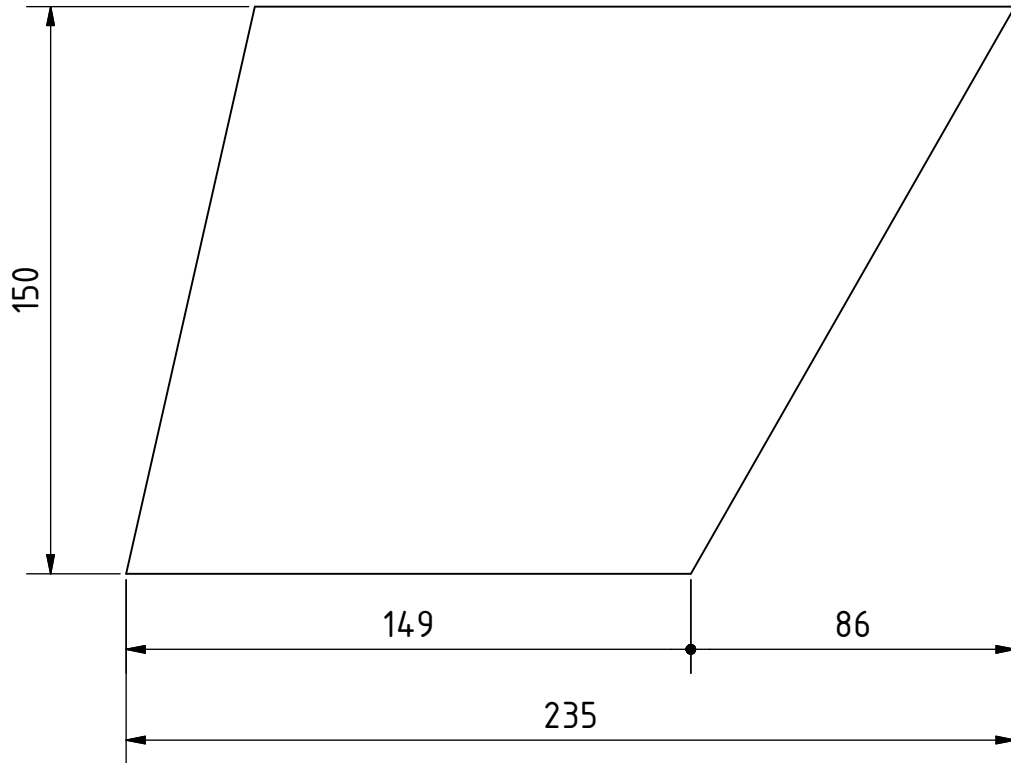
Size table	
Pos	d1
1.2.10_1	95 mm
1.2.10_2	45 mm

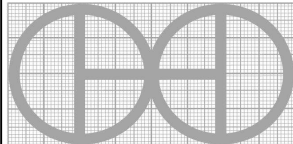
PROJECT	CREATED BY	APPROVED BY	DATE	VERSION	
Vertical Drum Hemp Harvester	A. Morillo	D. Jaeger	28-05-2024	0.07	
PART NAME	SPECIFICACIONES			CODE	
Part 1.2.10	Steel 235J2			1.2.10	
DEVELOPED BY	REDESIGNED BY	FILENAME		QTY	
Hanfasser		1.2.10.ipt		4	
		LICENSE	DOC. TYPE	SCALE	SHEET
		CC-BY-SA 4.0	Part	1 : 2	57 /215

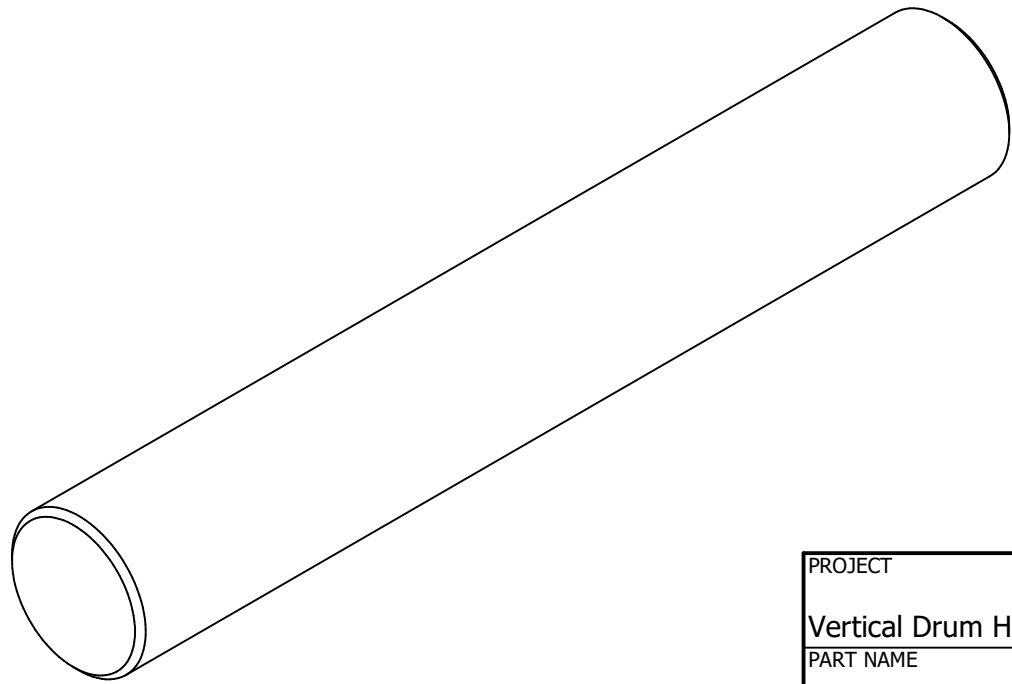
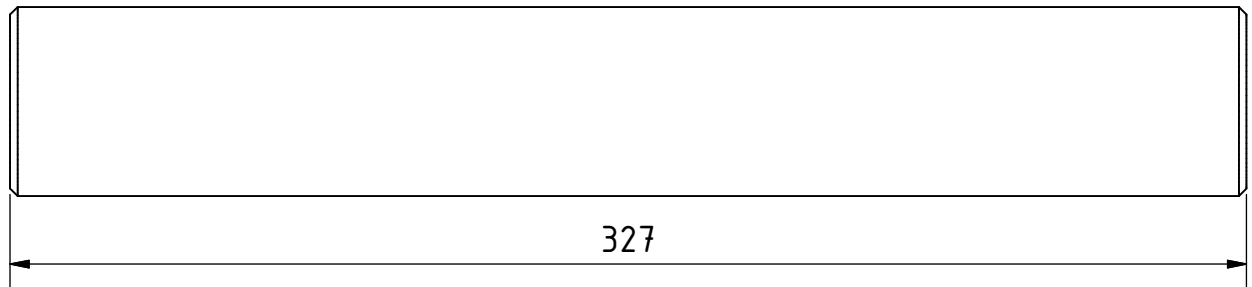
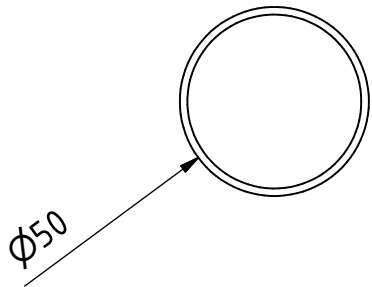
OHO e.V.

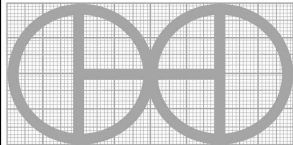


PROJECT	CREATED BY	APPROVED BY	DATE	VERSION	
Vertical Drum Hemp Harvester	A. Morillo	D. Jaeger	28-05-2024	0.07	
PART NAME	SPECIFICACIONES			CODE	
Upper handlebar_part11	Steel 235J2			1.2.11	
DEVELOPED BY	REDESIGNED BY	FILENAME		QTY	
Hanfasser		1.2.11.ipt		4	
		LICENSE	DOC. TYPE	SCALE	SHEET
		CC-BY-SA 4.0	Part	1 : 2	58 /215

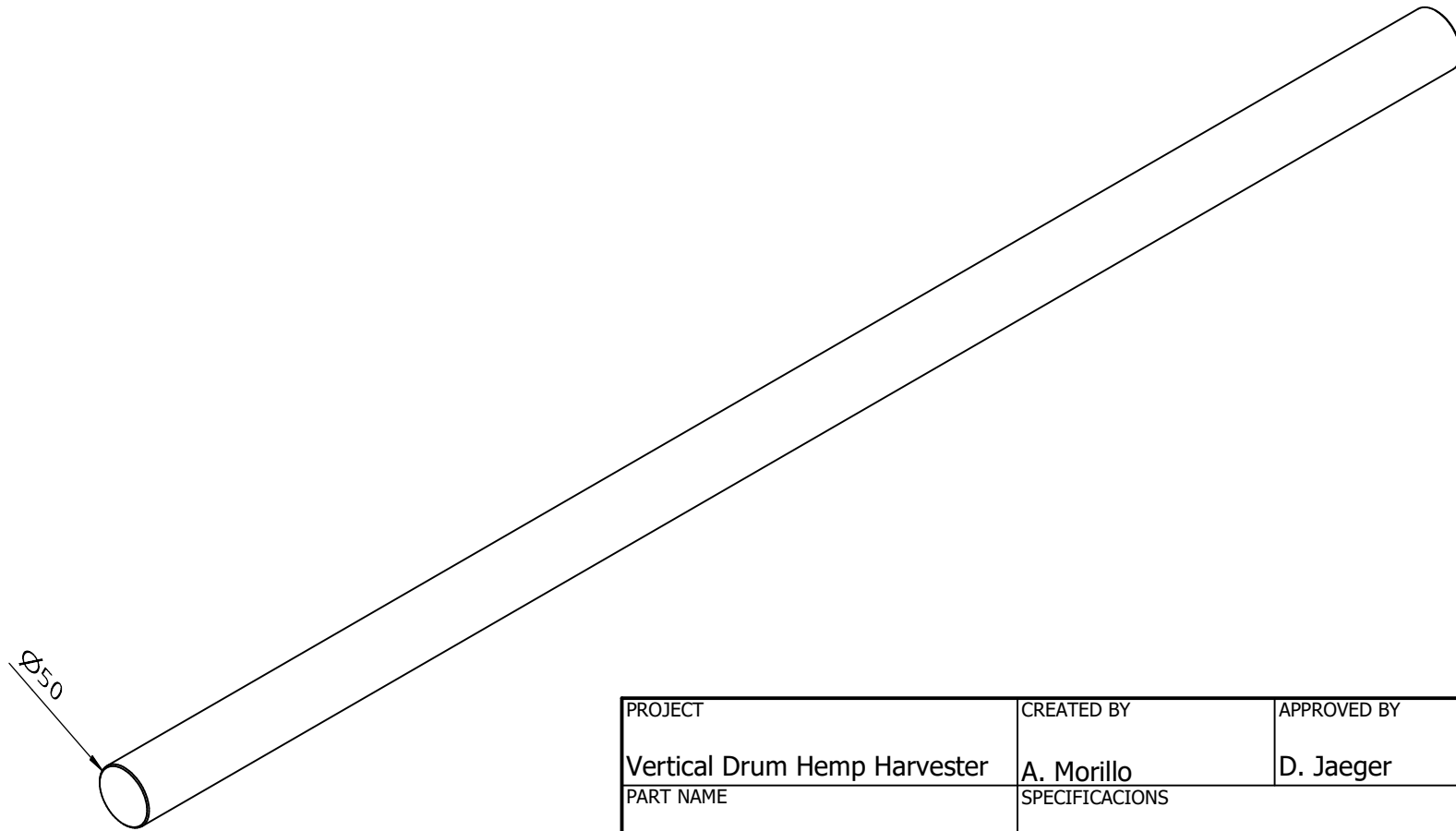
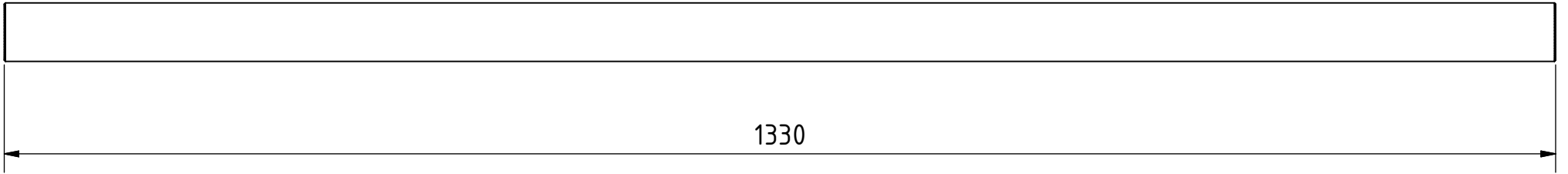


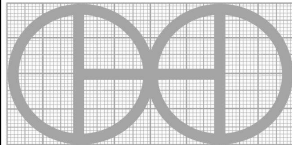
PROJECT	CREATED BY	APPROVED BY	DATE	VERSION	
Vertical Drum Hemp Harvester	A. Morillo	D. Jaeger	28-05-2024	0.07	
PART NAME	SPECIFICACIONES			CODE	
Upper handlebar_part11	Steel 235J2			1.2.12	
DEVELOPED BY	REDESIGNED BY	FILENAME		QTY	
Hanfasser		1.2.12.ipt		2	
		LICENSE	DOC. TYPE	SCALE	SHEET
		CC-BY-SA 4.0	Part	1 : 2	59 /215



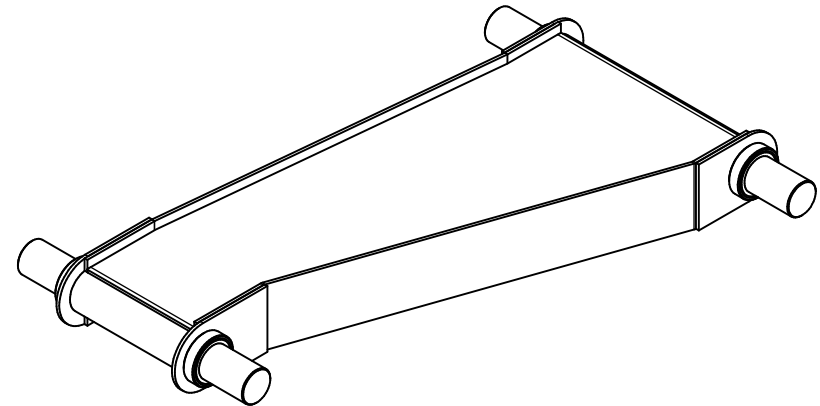
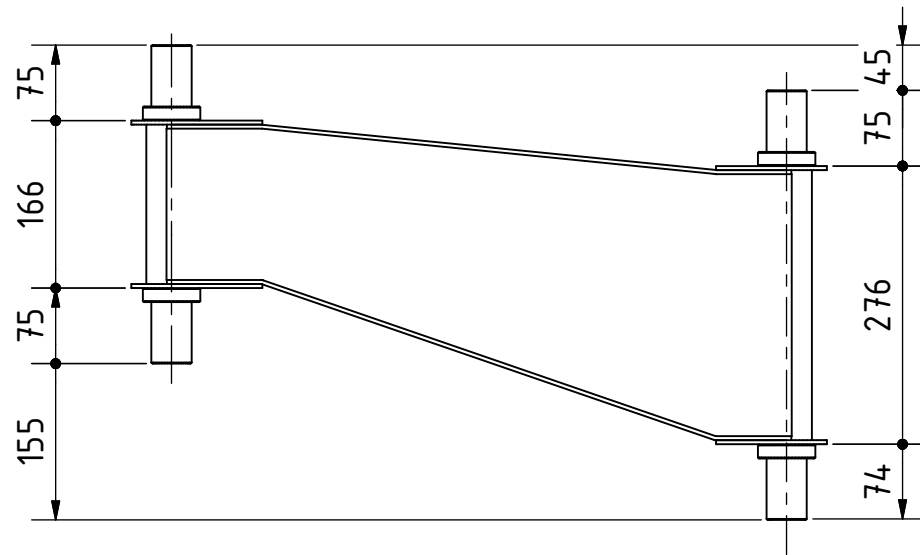
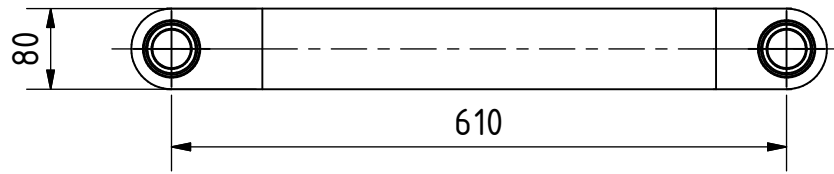
PROJECT	CREATED BY	APPROVED BY	DATE	VERSION	
Vertical Drum Hemp Harvester	A. Morillo	D. Jaeger	28-05-2024	0.07	
PART NAME	SPECIFICACIONES			CODE	
Upper handlebar_part11	Steel 235J2			1.2.13	
DEVELOPED BY	REDESIGNED BY	FILENAME		QTY	
Hanfasser		1.2.13.ipt		2	
		LICENSE	DOC. TYPE	SCALE	SHEET
		CC-BY-SA 4.0	Part	1 : 2	60 /215

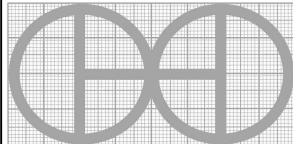
OHO e.V.



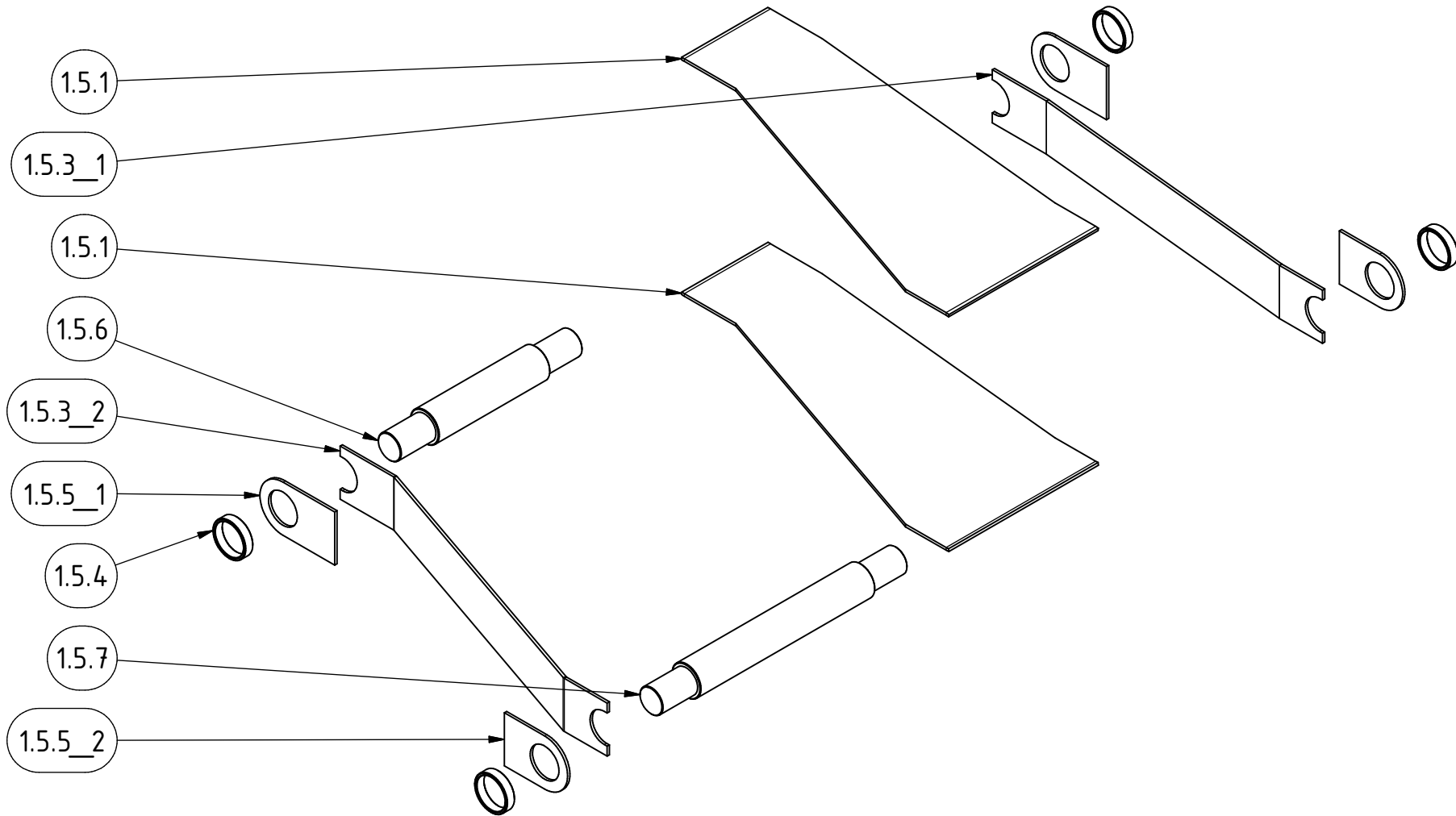
PROJECT	CREATED BY	APPROVED BY	DATE	VERSION	
Vertical Drum Hemp Harvester	A. Morillo	D. Jaeger	28-05-2024	0.07	
PART NAME	SPECIFICACIONES			CODE	
Axle	Steel 235J2			1.3.0	
DEVELOPED BY	REDESIGNED BY	FILENAME		QTY	
Hanfasser		1.3.ipt		1	
		LICENSE	DOC. TYPE	SCALE	SHEET
		CC-BY-SA 4.0	Part	1 : 5	61 /215

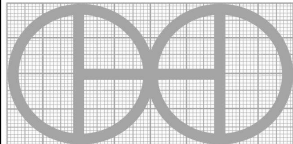
OHO e.V.



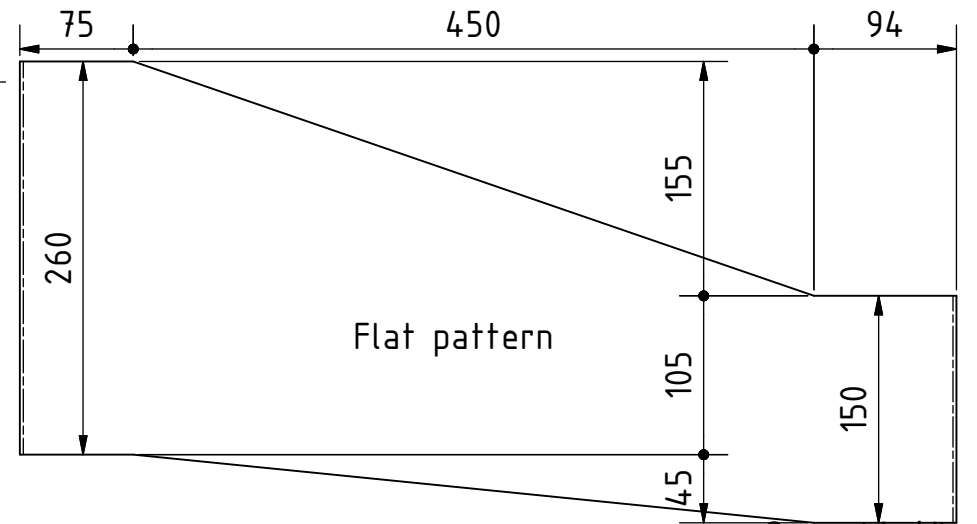
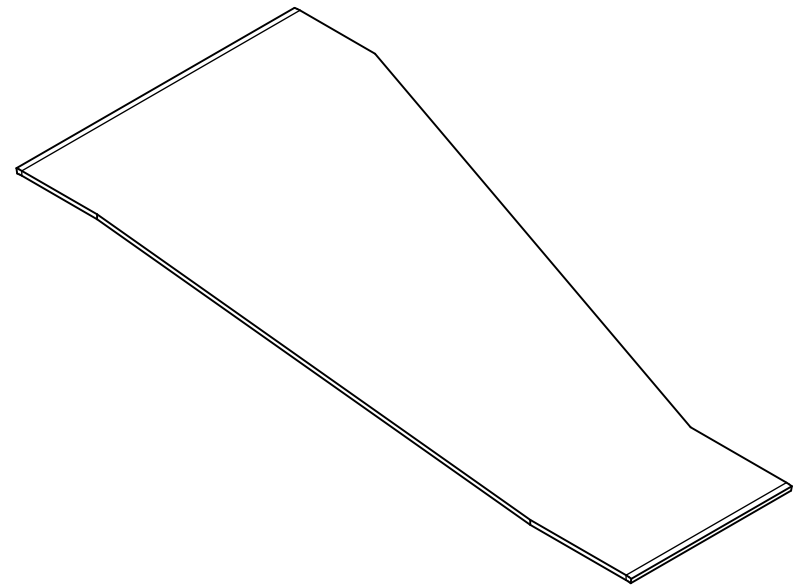
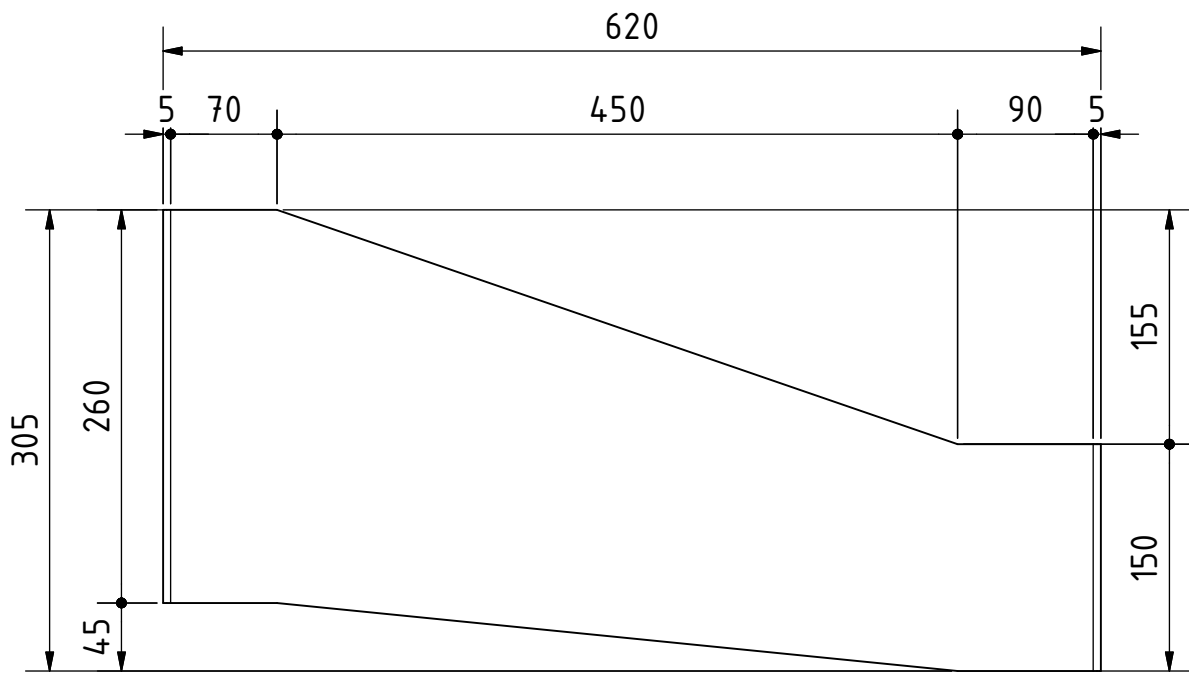
PROJECT	CREATED BY	APPROVED BY	DATE	VERSION
Vertical Drum Hemp Harvester	A. Morillo	D. Jaeger	28-05-2024	0.07
PART NAME	SPECIFICACIONES			CODE
Lower control arm				1.5.0
DEVELOPED BY	REDESIGNED BY	FILENAME	QTY	
		1.5.iam	2	
		LICENSE	DOC. TYPE	SCALE
Hanfasser		CC-BY-SA 4.0	Assembly	2 : 15
				SHEET
				62 /215

OHO e.V.



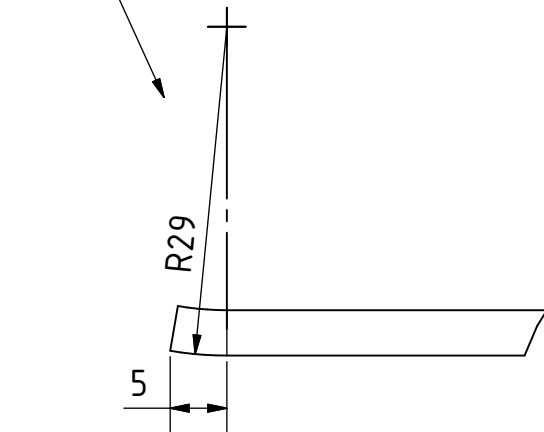
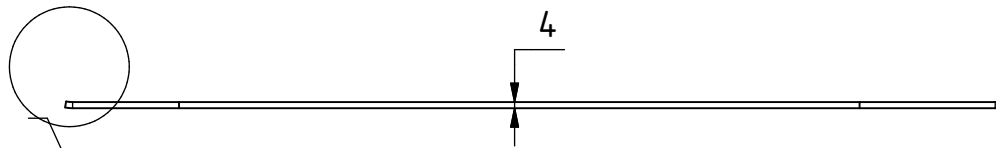
PROJECT	CREATED BY	APPROVED BY	DATE	VERSION	
Vertical Drum Hemp Harvester	A. Morillo	D. Jaeger	28-05-2024	0.07	
PART NAME	SPECIFICACIONES			CODE	
Lower control arm				1.5.0	
DEVELOPED BY	REDESIGNED BY	FILENAME	QTY		
		1.5.ipn	2		
		LICENSE	DOC. TYPE	SCALE	SHEET
Hanfasser		CC-BY-SA 4.0	Assembly	2 : 15	63 /215

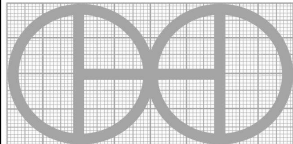
OHO e.V.

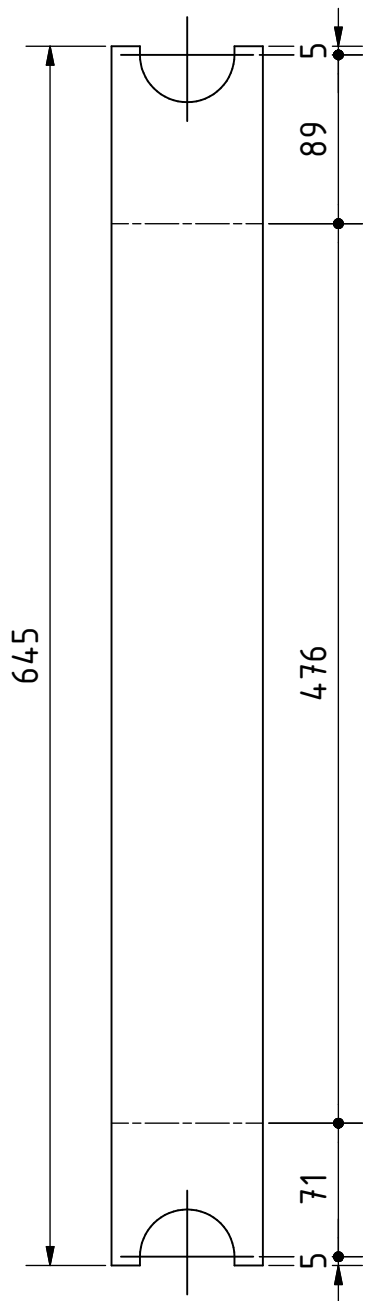


Flat pattern

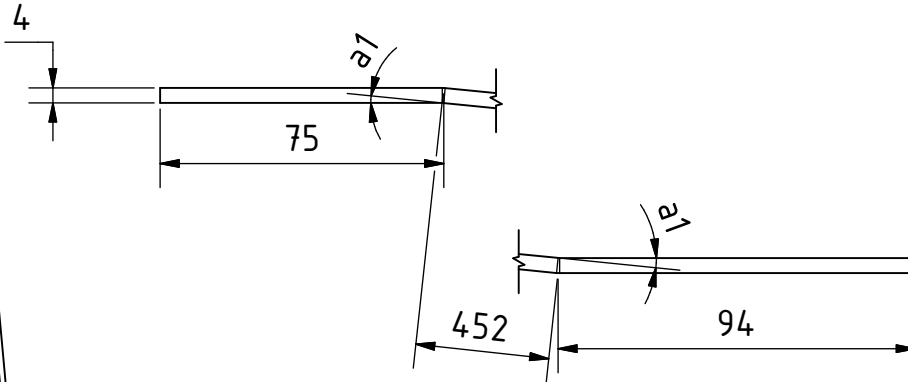
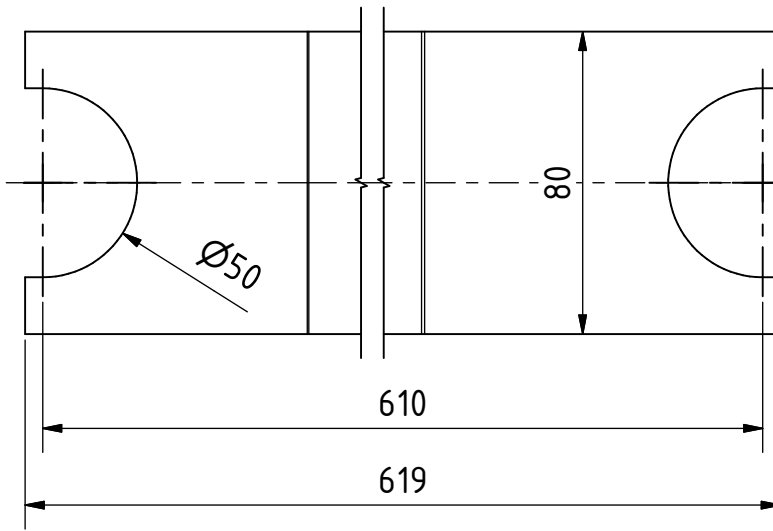
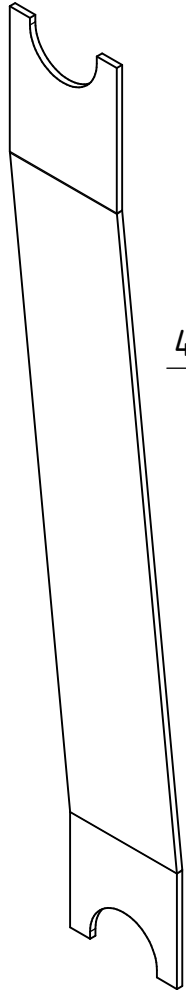
Symmetrical item



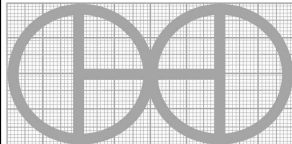
PROJECT	CREATED BY	APPROVED BY	DATE	VERSION	
Vertical Drum Hemp Harvester	A. Morillo	D. Jaeger	28-05-2024	0.07	
PART NAME	SPECIFICACIONES			CODE	
Part 1.5.1	Steel 235J2			1.5.1	
DEVELOPED BY	REDESIGNED BY	FILENAME	QTY		
Hanfasser		OHO e.V. 1.5.1.ipt	2		
		LICENSE	DOC. TYPE	SCALE	SHEET
		CC-BY-SA 4.0	Part	1 : 5	64 /215



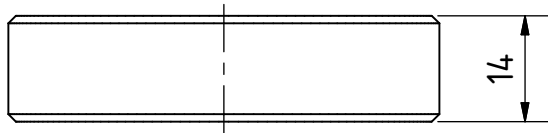
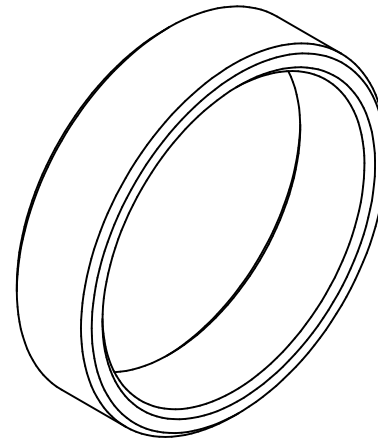
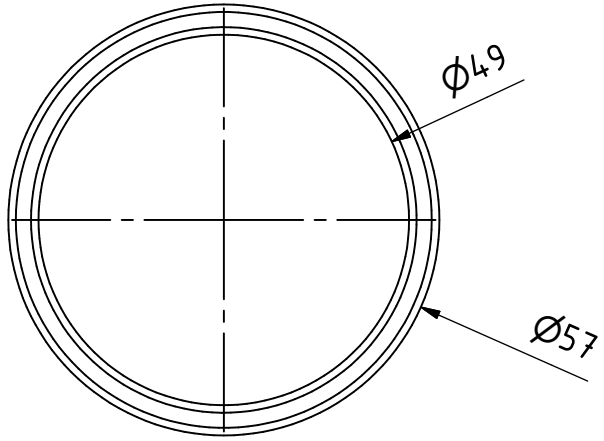
Flat pattern

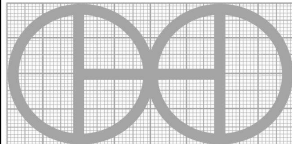


Size table	
Pos	a1
1.5.3_1	6°
1.5.3_2	11°

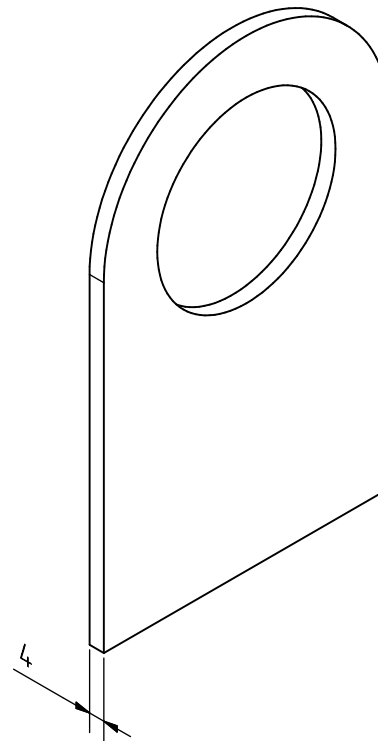
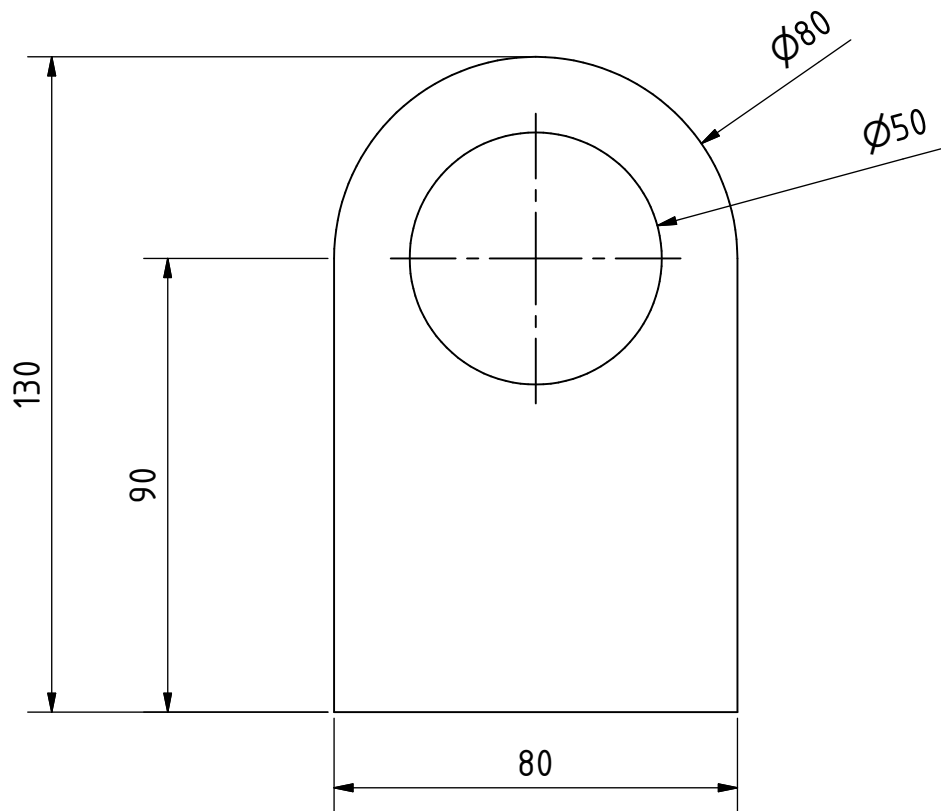
PROJECT	CREATED BY	APPROVED BY	DATE	VERSION
Vertical Drum Hemp Harvester	A. Morillo	D. Jaeger	28-05-2024	0.07
PART NAME	SPECIFICACIONES			CODE
Part 1.5.3	Steel 235J2			1.5.3
DEVELOPED BY	REDESIGNED BY	FILENAME		QTY
		1.5.3.ipt		2
		LICENSE	DOC. TYPE	SCALE
Hanfasser		CC-BY-SA 4.0	Part	1 : 2
				SHEET
				65 /215

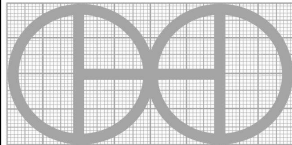
OHO e.V.

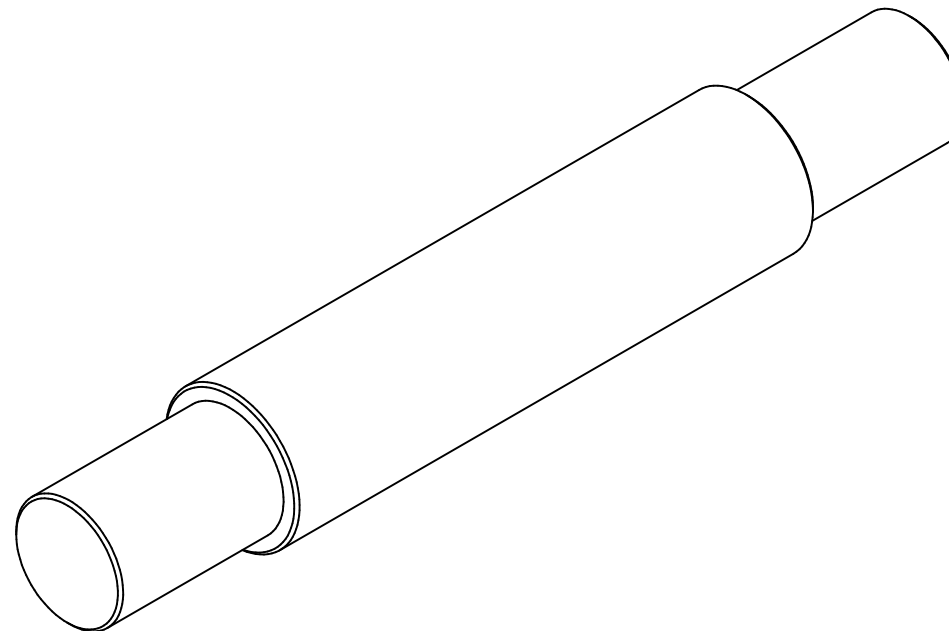
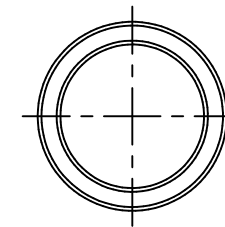
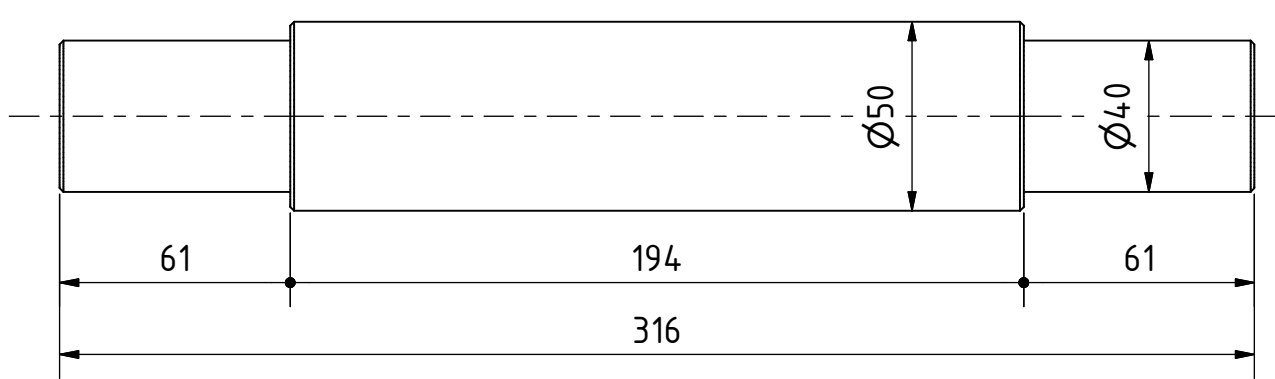


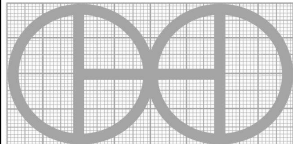
PROJECT	CREATED BY	APPROVED BY	DATE	VERSION	
Vertical Drum Hemp Harvester	A. Morillo	D. Jaeger	28-05-2024	0.07	
PART NAME	SPECIFICACIONES			CODE	
Part 1.5.4	Steel 235J2			1.5.4	
DEVELOPED BY	REDESIGNED BY	FILENAME		QTY	
Hanfasser		1.5.4.ipt		4	
		LICENSE	DOC. TYPE	SCALE	SHEET
		CC-BY-SA 4.0	Part	1 : 1	66 /215

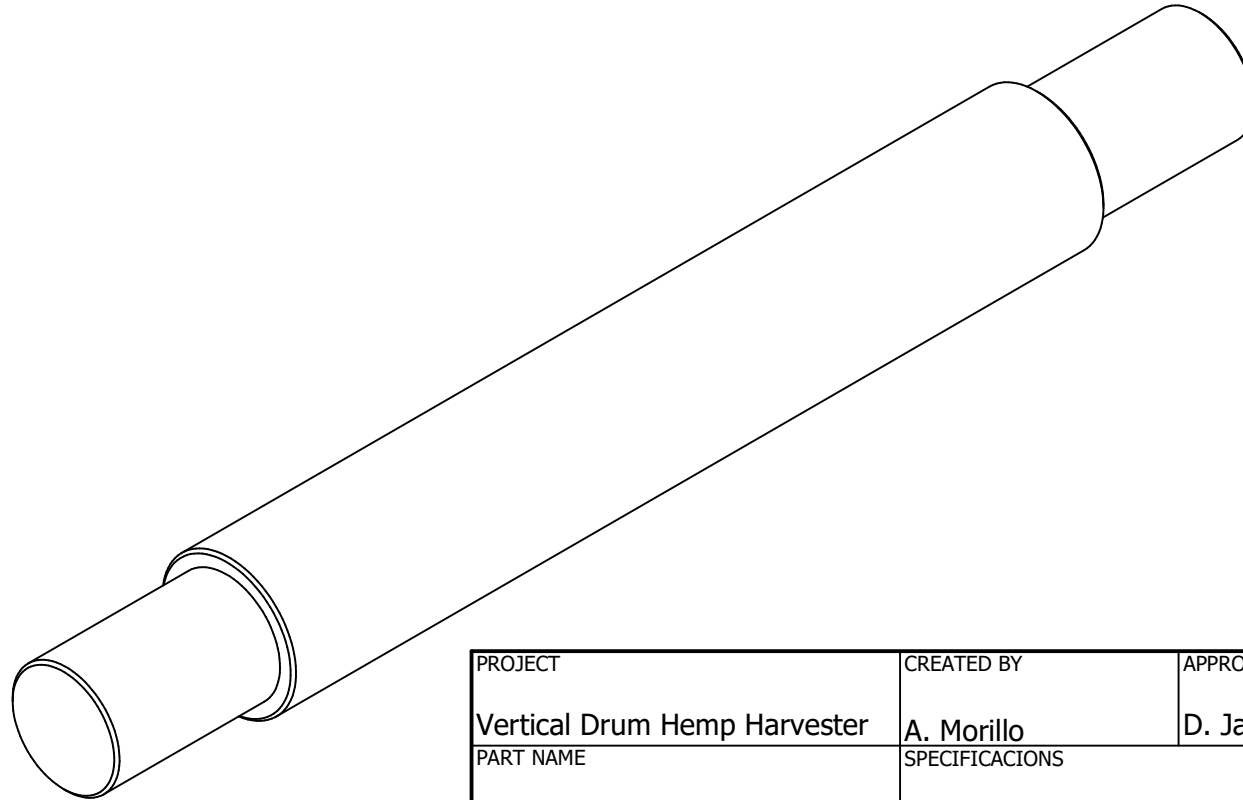
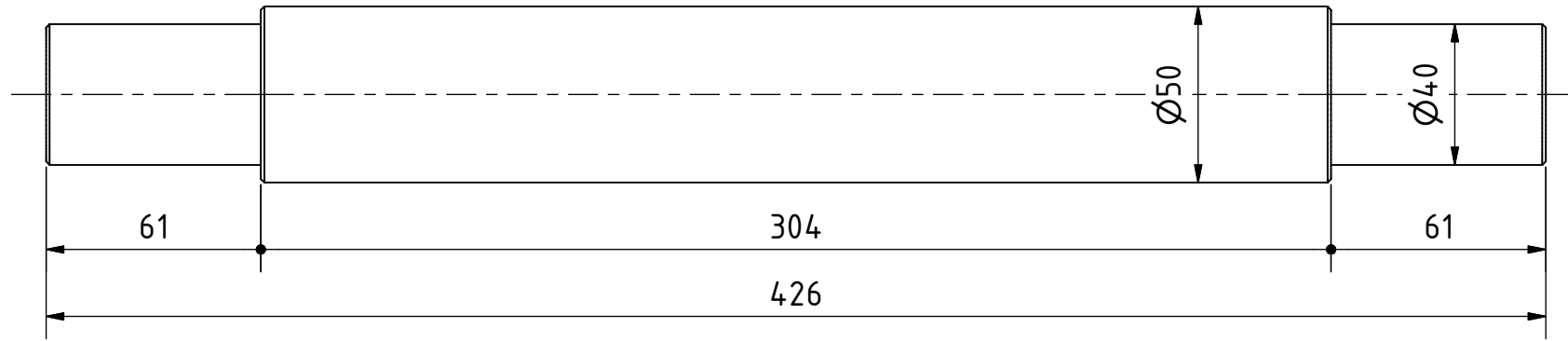
OHO e.V.

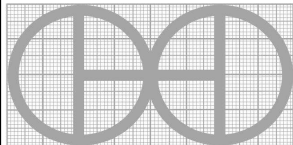


PROJECT	CREATED BY	APPROVED BY	DATE	VERSION	
Vertical Drum Hemp Harvester	A. Morillo	D. Jaeger	28-05-2024	0.07	
PART NAME	SPECIFICACIONES			CODE	
Part 1.5.5	Steel 235J2			1.5.5	
DEVELOPED BY	REDESIGNED BY	FILENAME		QTY	
Hanfasser		1.5.5.ipt		4	
		LICENSE	DOC. TYPE	SCALE	SHEET
		CC-BY-SA 4.0	Part	2 : 3	67 /215

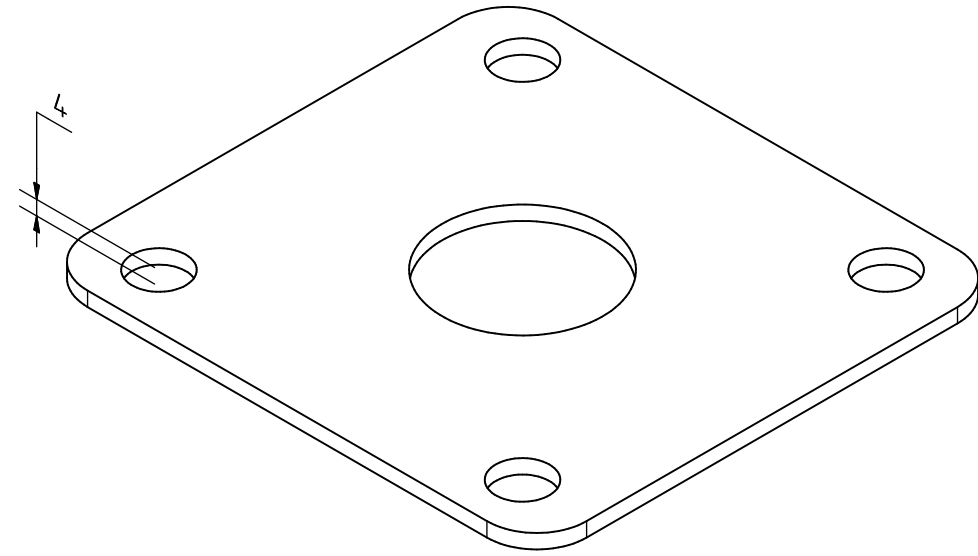
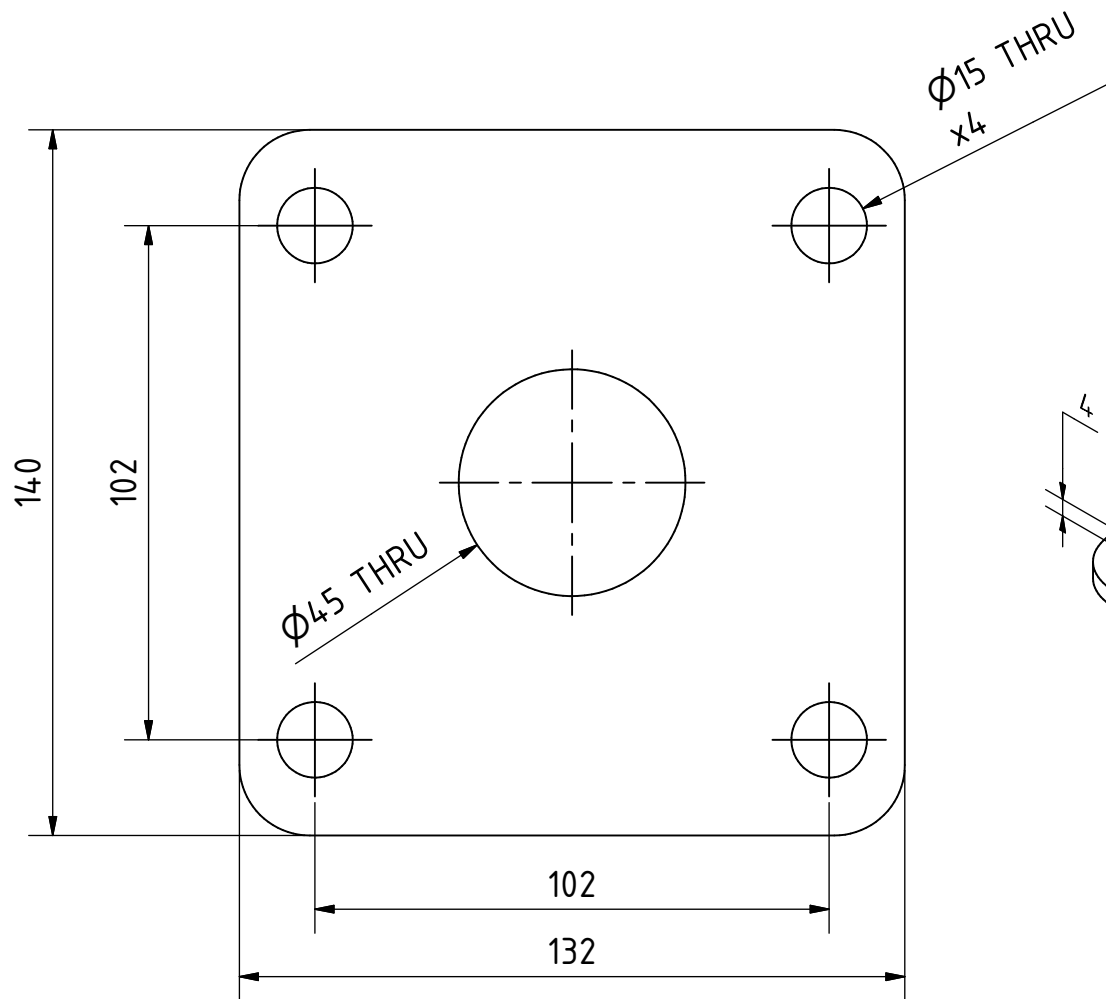


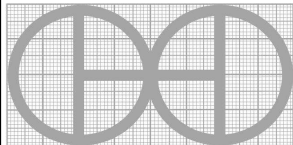
PROJECT		CREATED BY		APPROVED BY		DATE		VERSION	
Vertical Drum Hemp Harvester		A. Morillo		D. Jaeger		28-05-2024		0.07	
PART NAME		SPECIFICACIONES						CODE	
Part 1.5.6		Steel 235J2						1.5.6	
DEVELOPED BY		REDESIGNED BY		FILENAME				QTY	
Hanfasser				1.5.6.ipt				1	
				LICENSE		DOC. TYPE		SCALE	
				CC-BY-SA 4.0		Part		1 : 2	
								68 /215	

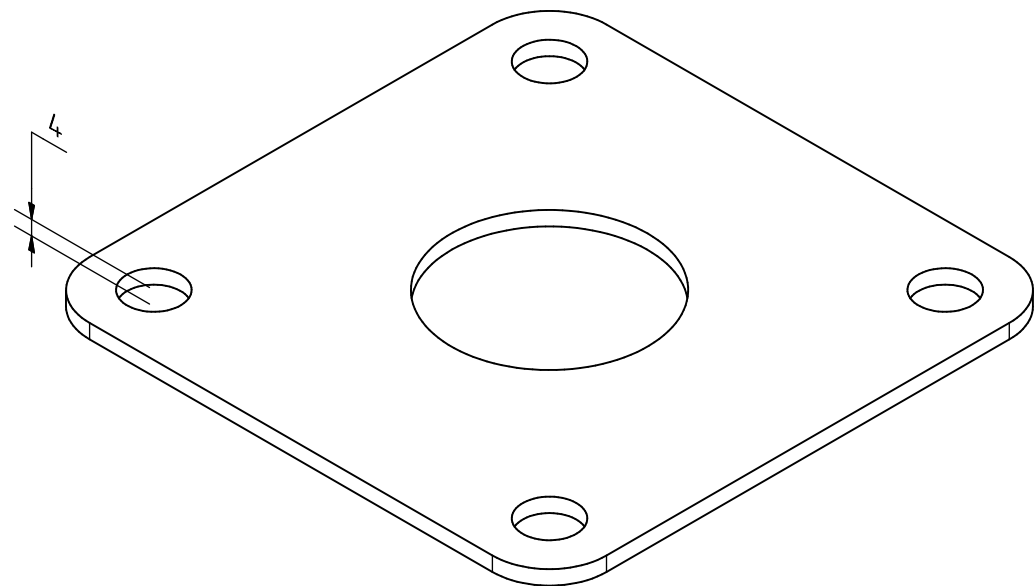
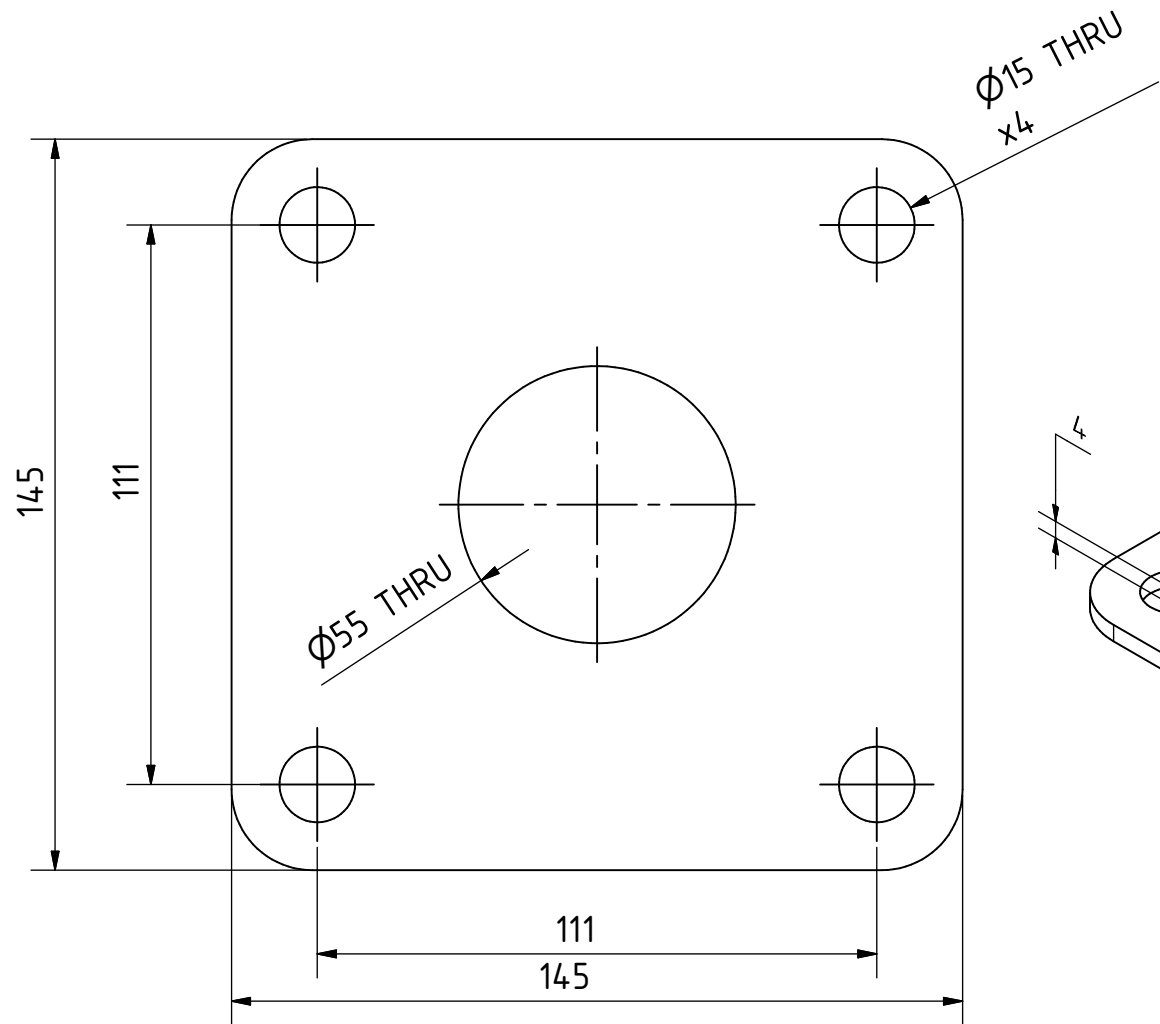


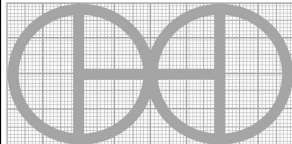
PROJECT	CREATED BY	APPROVED BY	DATE	VERSION	
Vertical Drum Hemp Harvester	A. Morillo	D. Jaeger	28-05-2024	0.07	
PART NAME	SPECIFICACIONES			CODE	
Part 1.5.7	Steel 235J2			1.5.7	
DEVELOPED BY	REDESIGNED BY	FILENAME		QTY	
Hanfasser		1.5.7.ipt		1	
		LICENSE	DOC. TYPE	SCALE	SHEET
		CC-BY-SA 4.0	Part	1 : 2	69 / 215

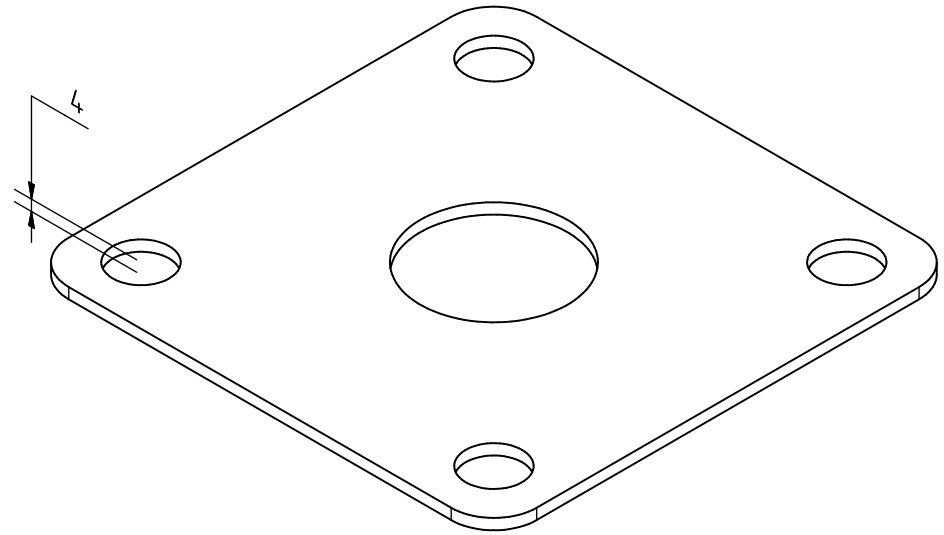
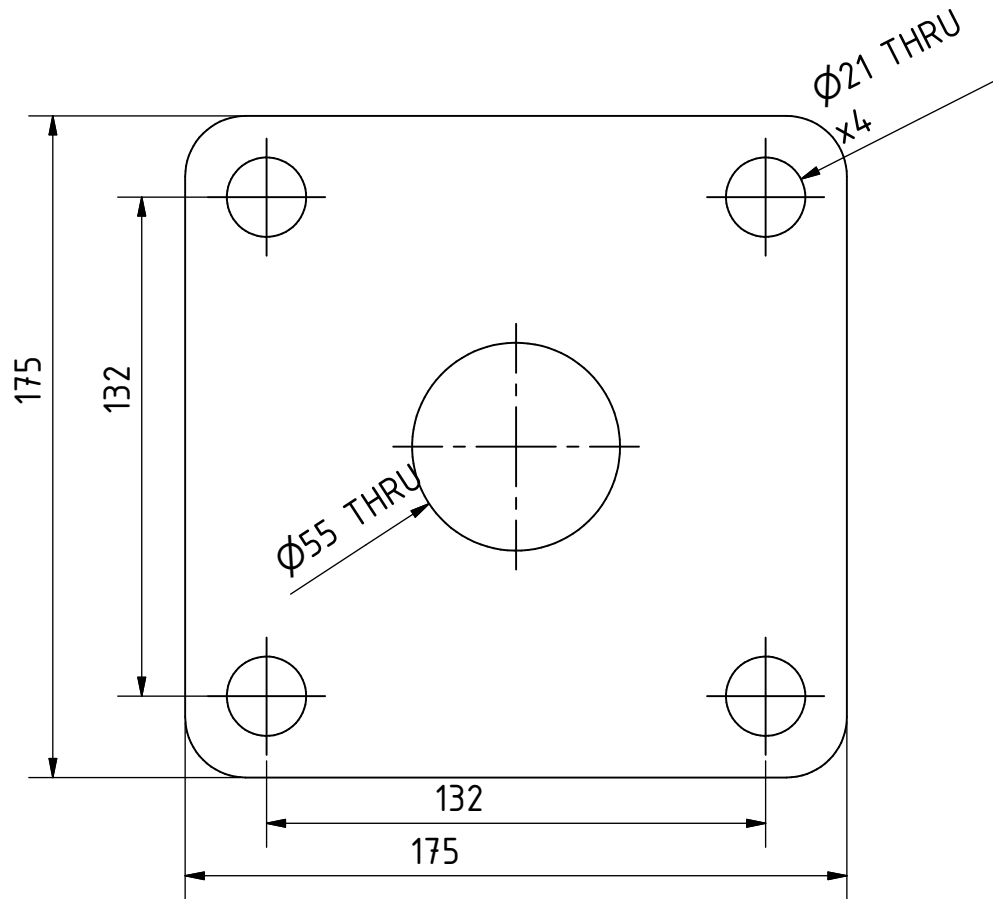
OHO e.V.

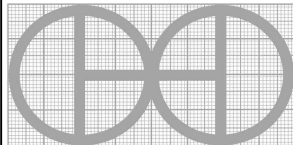


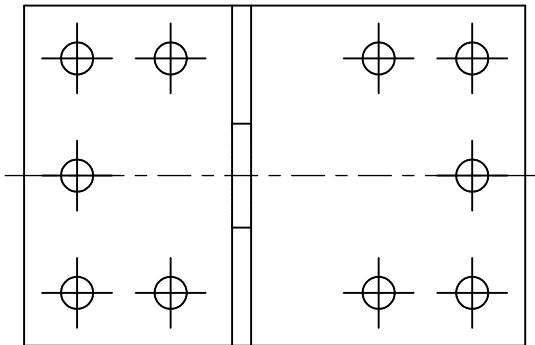
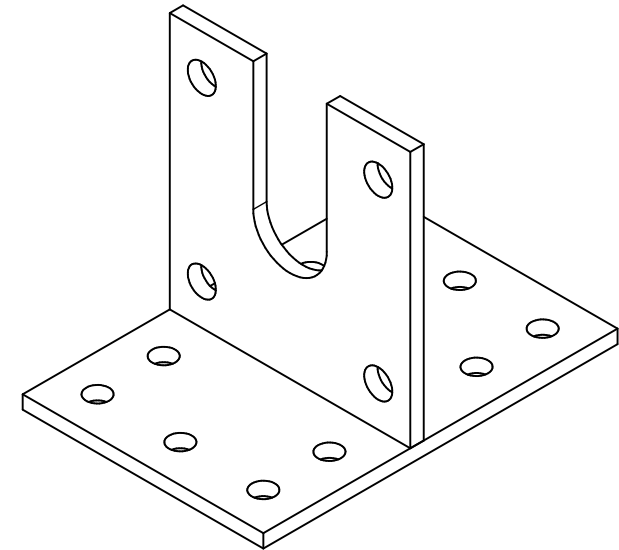
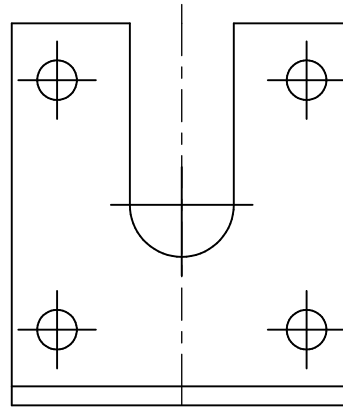
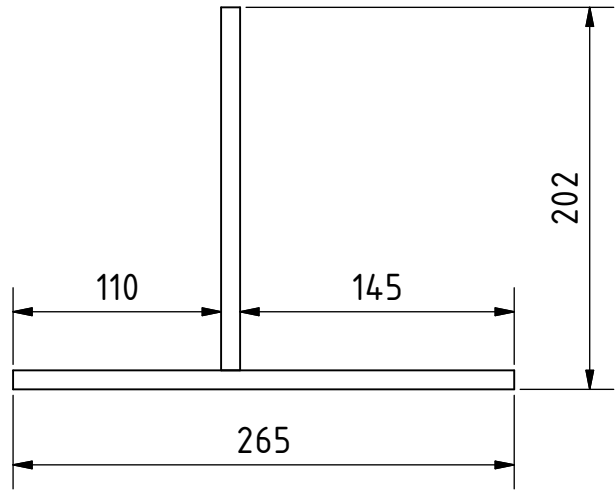
PROJECT	CREATED BY	APPROVED BY	DATE	VERSION	
Vertical Drum Hemp Harvester	A. Morillo	D. Jaeger	28-05-2024	0.07	
PART NAME	SPECIFICACIONES			CODE	
Reinforcement plate 2	Steel 235J2, For Bearing UCF 208			1.7.0	
DEVELOPED BY	REDESIGNED BY	FILENAME		QTY	
Hanfasser		1.7.ipt		8	
		LICENSE	DOC. TYPE	SCALE	SHEET
		CC-BY-SA 4.0	Part	2 : 3	70 /215



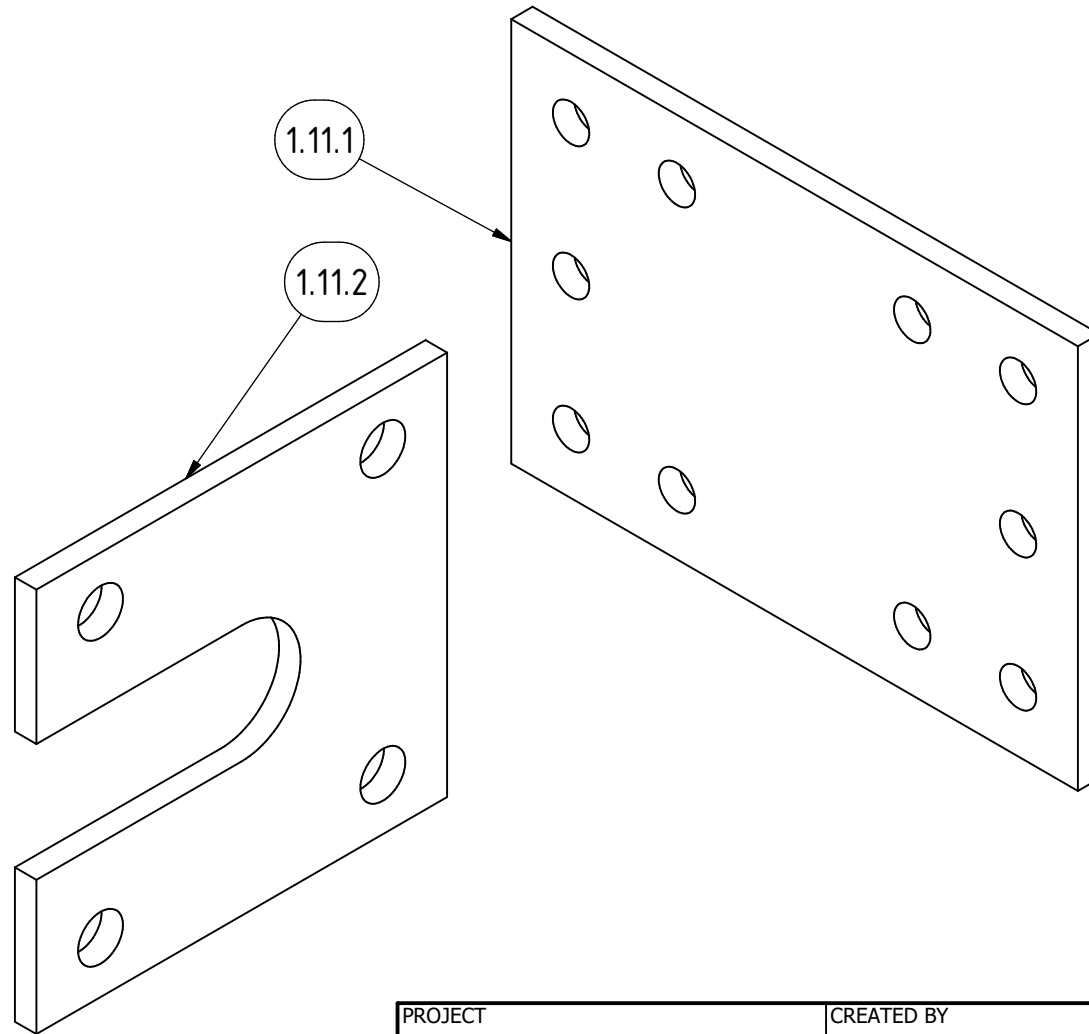
PROJECT	CREATED BY	APPROVED BY	DATE	VERSION	
Vertical Drum Hemp Harvester	A. Morillo	D. Jaeger	28-05-2024	0.07	
PART NAME	SPECIFICACIONES			CODE	
Reinforcement plate	Steel 235J2, for bearing UCF 210			1.8.0	
DEVELOPED BY	REDESIGNED BY	FILENAME		QTY	
		1.8.ipt		4	
Hanfasser		LICENSE	DOC. TYPE	SCALE	SHEET
		CC-BY-SA 4.0	Part	2 : 3	71 /215

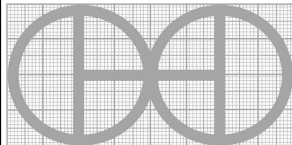


PROJECT	CREATED BY	APPROVED BY	DATE	VERSION	
Vertical Drum Hemp Harvester	A. Morillo	D. Jaeger	28-05-2024	0.07	
PART NAME	SPECIFICACIONES			CODE	
Reinforcement plate	Steel 235J2, for bearing UCF 310			1.9.0	
DEVELOPED BY	REDESIGNED BY	FILENAME	QTY		
Hanfasser		1.9.ipt	2		
		LICENSE	DOC. TYPE	SCALE	SHEET
		CC-BY-SA 4.0	Part	1 : 2	72 /215

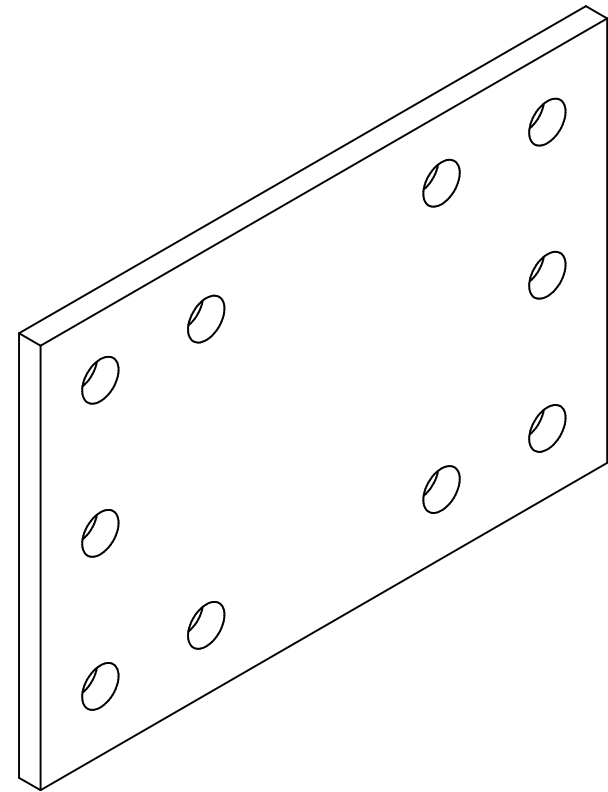
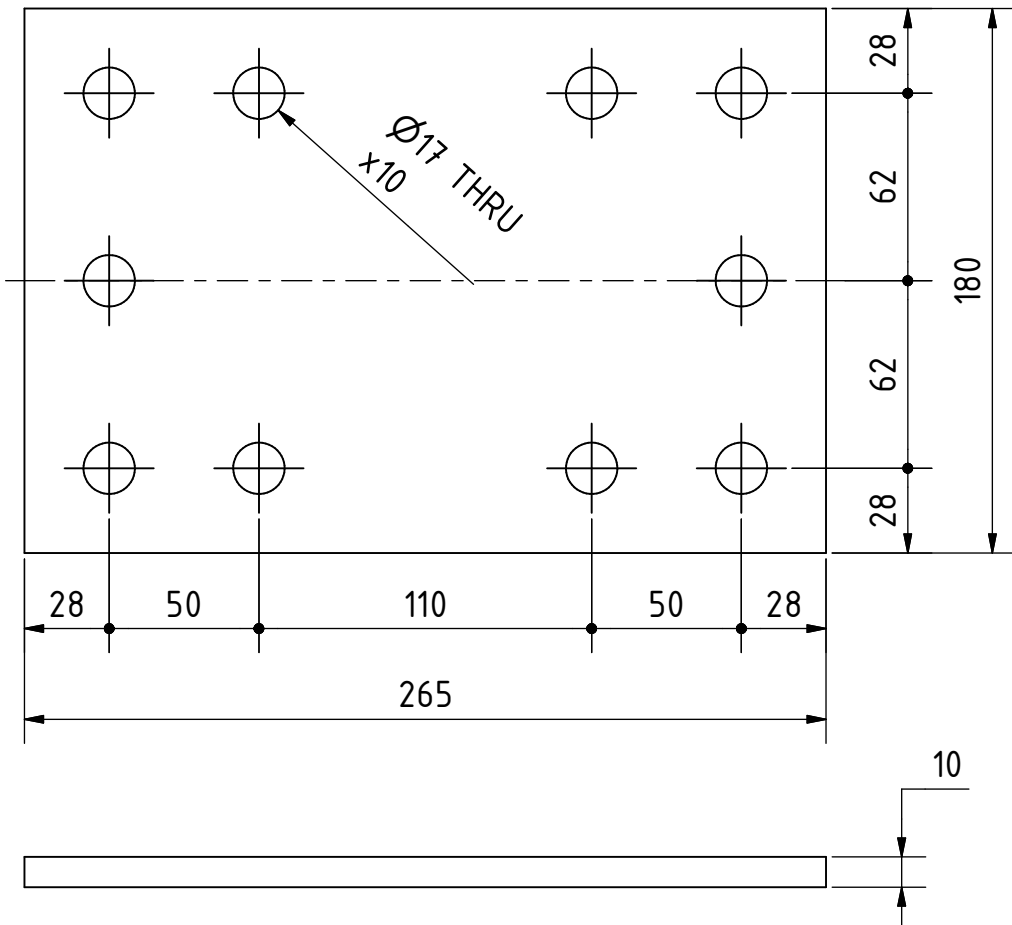


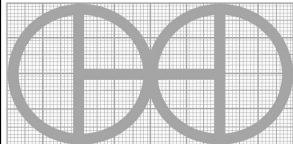
PROJECT	CREATED BY	APPROVED BY	DATE	VERSION
Vertical Drum Hemp Harvester	A. Morillo	D. Jaeger	28-05-2024	0.07
PART NAME	SPECIFICACIONES			CODE
Bracket for flange mounting				1.11.0
DEVELOPED BY	REDESIGNED BY	FILENAME		QTY
		1.11.iam		2
		LICENSE	DOC. TYPE	SCALE
Handfasser		CC-BY-SA 4.0	Assembly	1 : 4
				SHEET
				73 /215

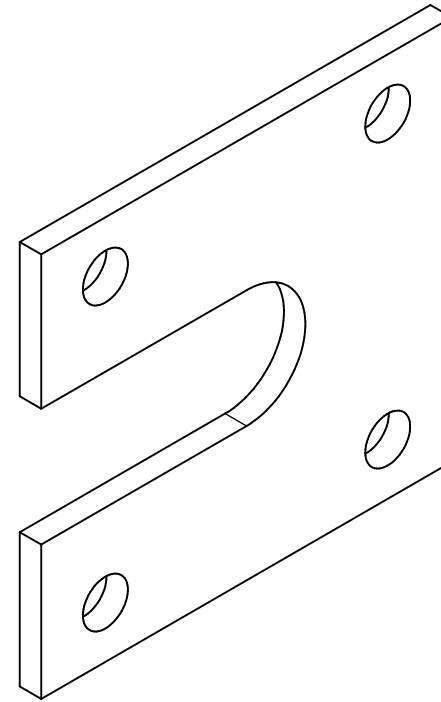
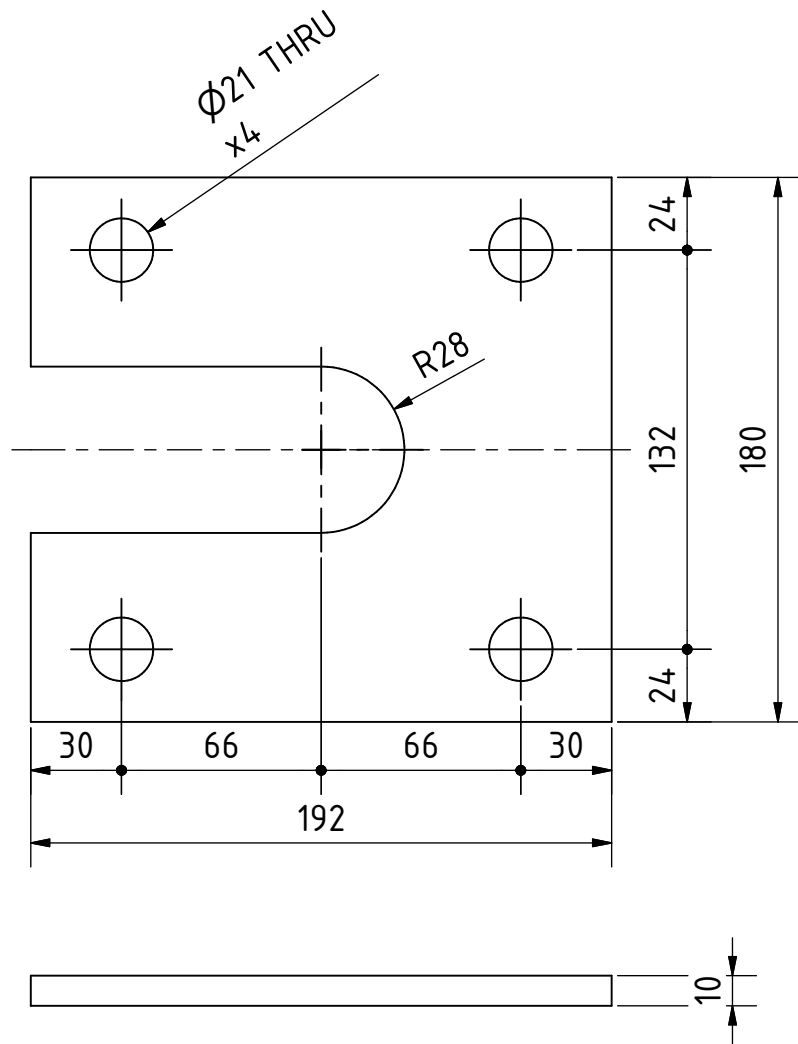


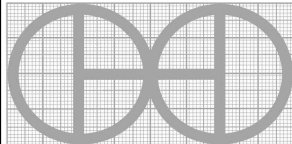
PROJECT	CREATED BY	APPROVED BY	DATE	VERSION	
Vertical Drum Hemp Harvester	A. Morillo	D. Jaeger	28-05-2024	0.07	
PART NAME	SPECIFICACIONES			CODE	
Bracket for flange mounting				1.11.0	
DEVELOPED BY	REDESIGNED BY	FILENAME		QTY	
		1.11.ipn		2	
		LICENSE	DOC. TYPE	SCALE	SHEET
Hanfasser		CC-BY-SA 4.0	Assembly	2 : 5	74 /215

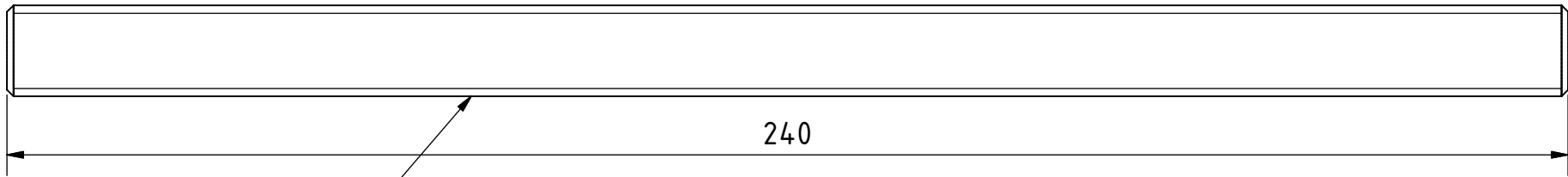
OHO e.V.



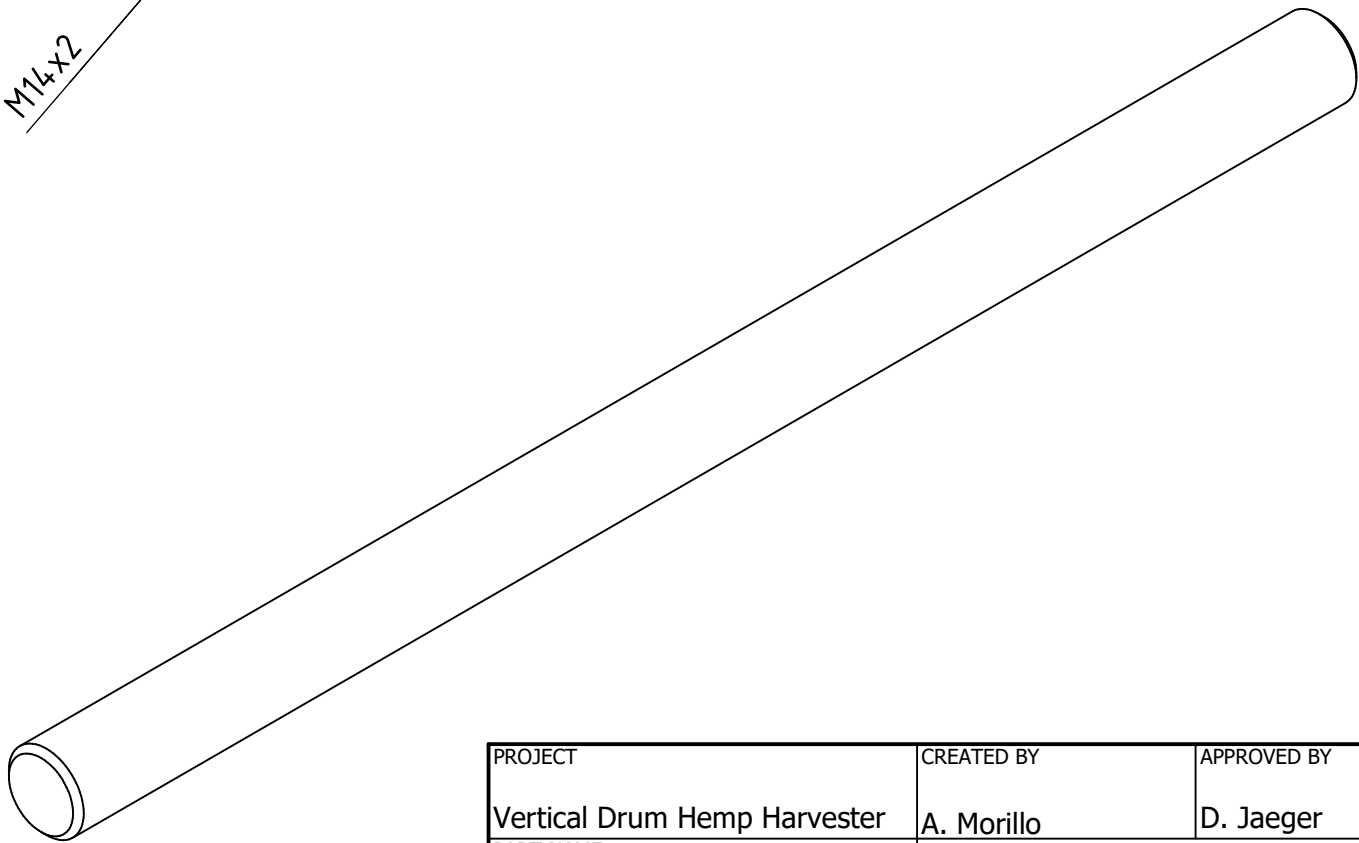
PROJECT	CREATED BY	APPROVED BY	DATE	VERSION	
Vertical Drum Hemp Harvester	A. Morillo	D. Jaeger	28-05-2024	0.07	
PART NAME	SPECIFICACIONES			CODE	
Part 1.11.1	Steel 235J2			1.11.1	
DEVELOPED BY	REDESIGNED BY	FILENAME		QTY	
Hanfasser		1.11.1.ipt		1	
		LICENSE	DOC. TYPE	SCALE	SHEET
		CC-BY-SA 4.0	Part	2 : 5	75 /215

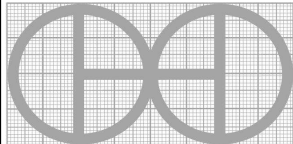


PROJECT	CREATED BY	APPROVED BY	DATE	VERSION
Vertical Drum Hemp Harvester	A. Morillo	D. Jaeger	28-05-2024	0.07
PART NAME	SPECIFICACIONES			CODE
Part 1.11.2	Steel 235J2			1.11.2
DEVELOPED BY	REDESIGNED BY	FILENAME		QTY
		1.11.2.ipt		1
Hanfasser		LICENSE	DOC. TYPE	SHEET
		CC-BY-SA 4.0	Part	2 : 5 76 /215

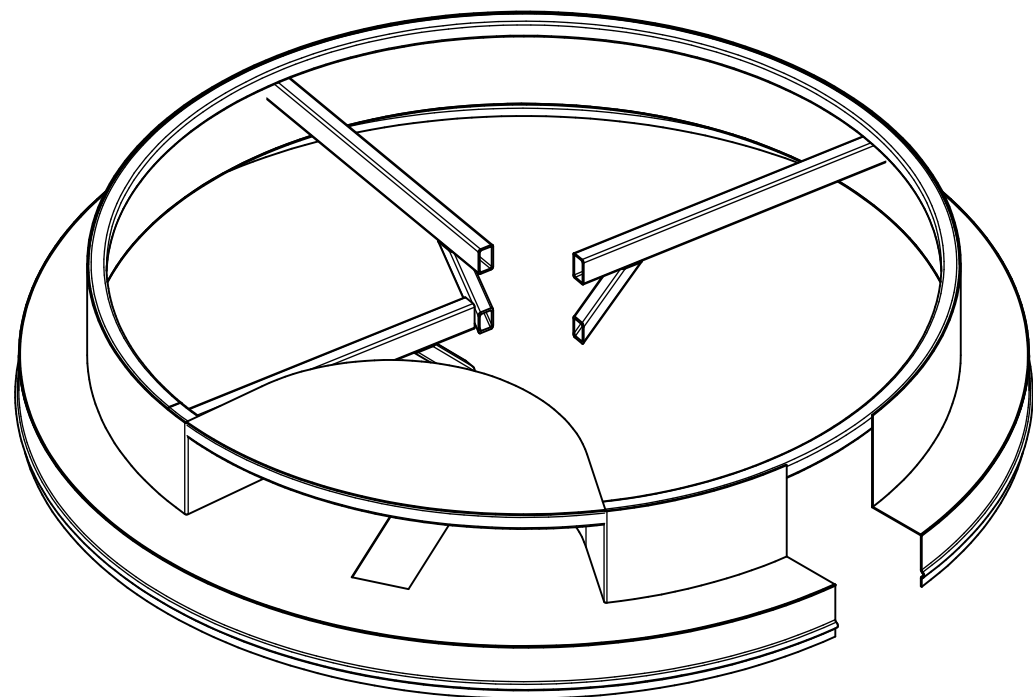
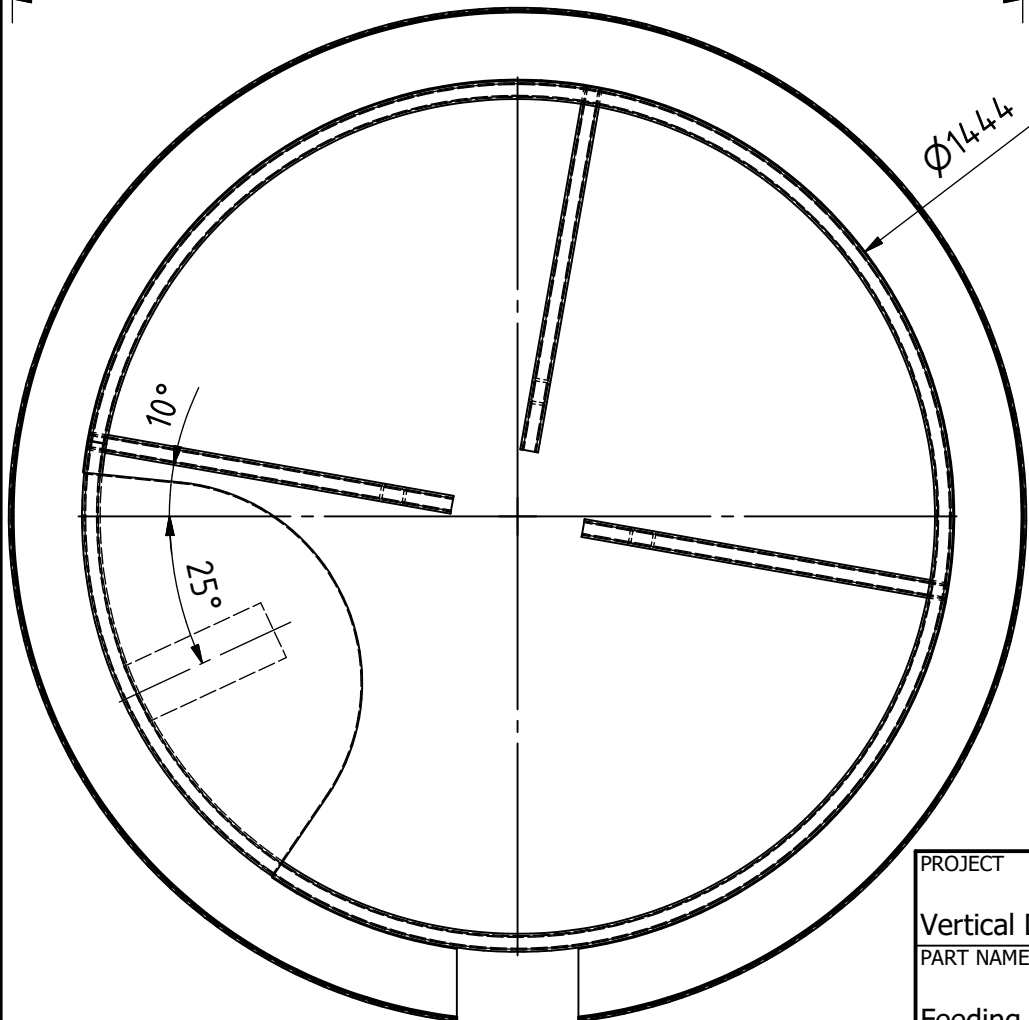
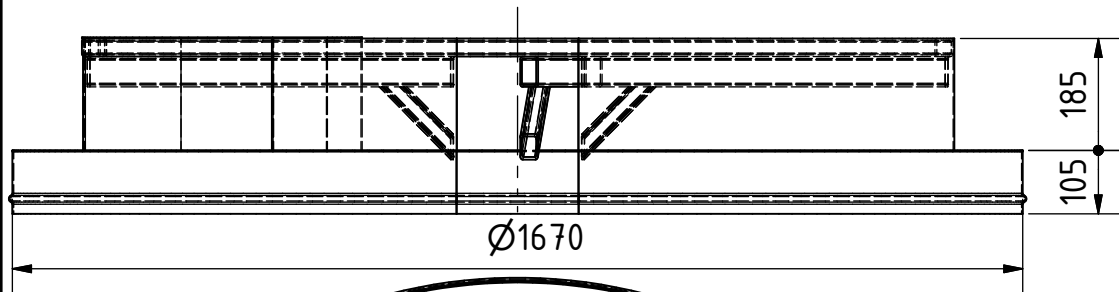


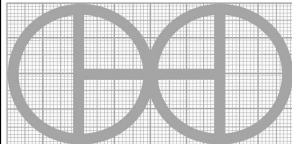
M14x2

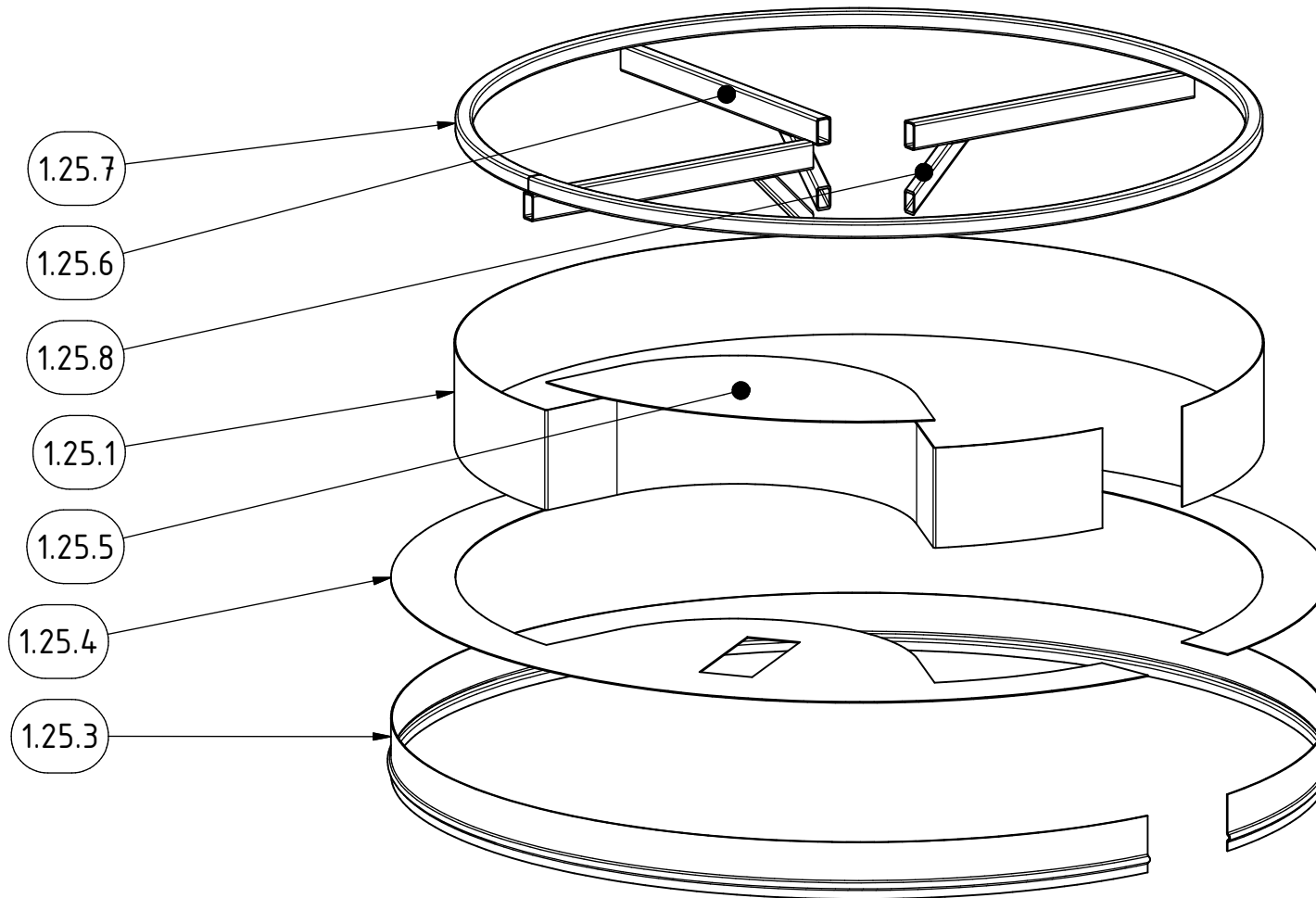


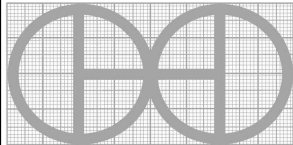
PROJECT	CREATED BY	APPROVED BY	DATE	VERSION	
Vertical Drum Hemp Harvester	A. Morillo	D. Jaeger	28-05-2024	0.07	
PART NAME	SPECIFICACIONES			CODE	
Thread M14	Treaded bar M14*240 NC			1.24.0	
DEVELOPED BY	REDESIGNED BY	FILENAME		QTY	
Hanfasser		1.24.ipt		6	
		LICENSE	DOC. TYPE	SCALE	SHEET
		CC-BY-SA 4.0	Part	1 : 1	77 /215

OHO e.V.

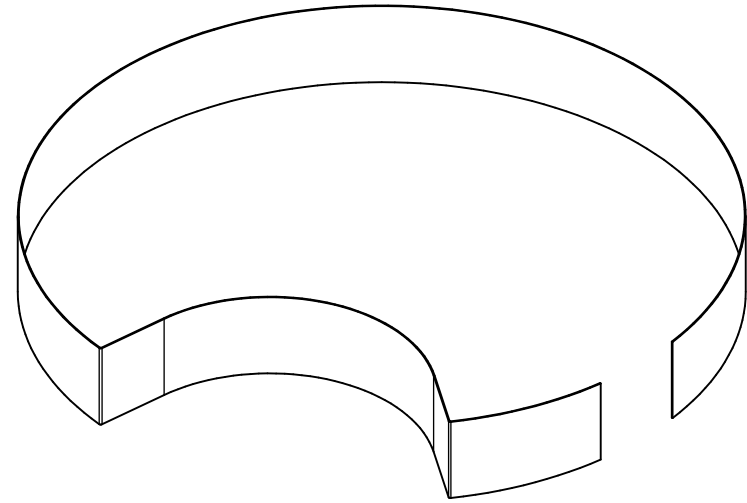
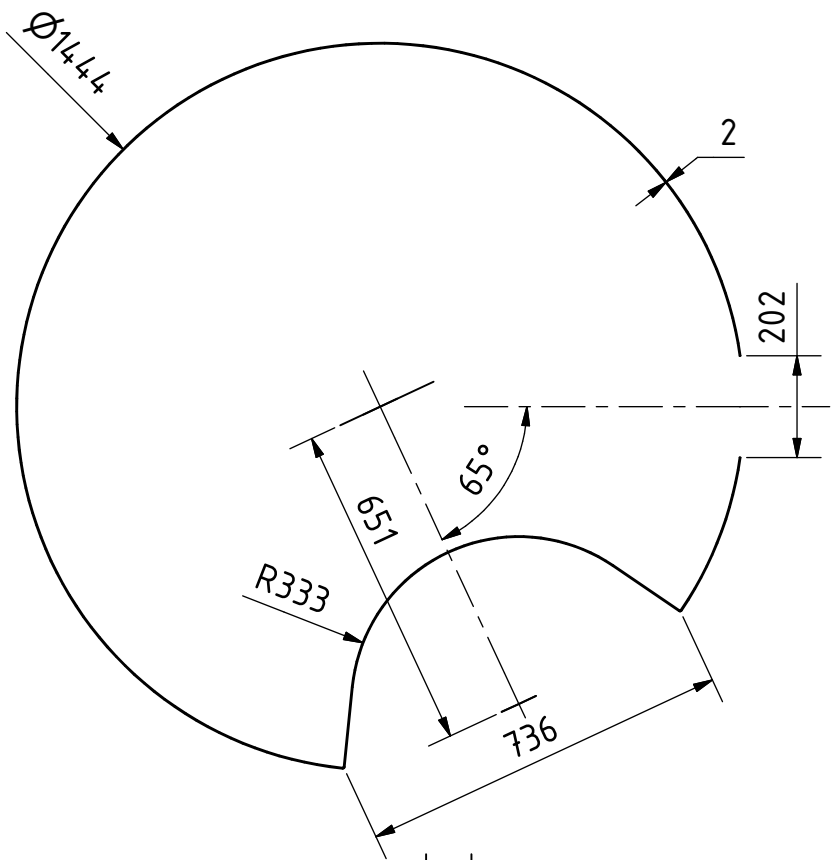


PROJECT	CREATED BY	APPROVED BY	DATE	VERSION
Vertical Drum Hemp Harvester	A. Morillo	D. Jaeger	28-05-2024	0.07
PART NAME	SPECIFICACIONES			CODE
Feeding drums 1				1.25.0
DEVELOPED BY	REDESIGNED BY	FILENAME		QTY
		1.25.iam		1
Hanfasser		LICENSE	DOC. TYPE	SCALE
		CC-BY-SA 4.0	Assembly	2 : 25
				SHEET
				78 /215

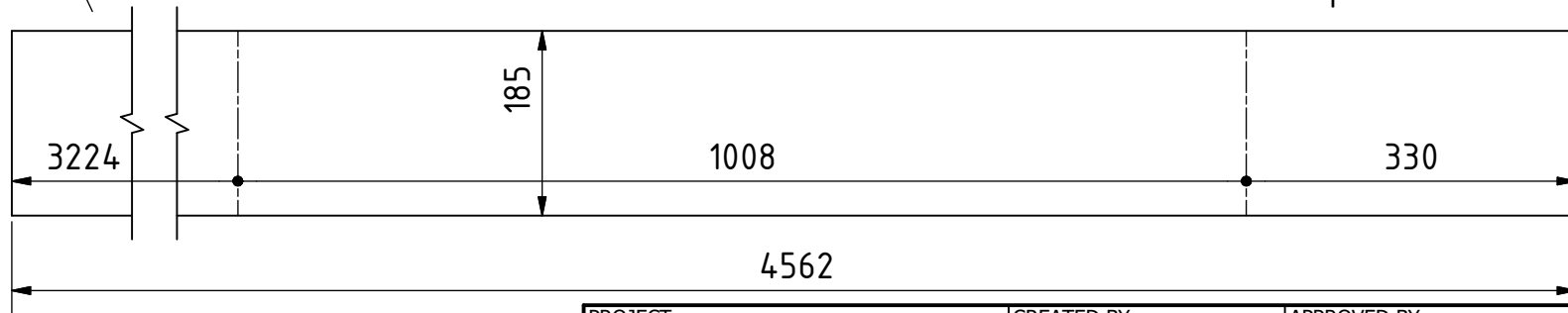


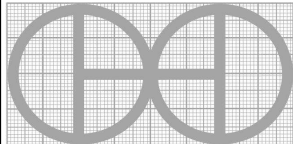
PROJECT	CREATED BY	APPROVED BY	DATE	VERSION
Vertical Drum Hemp Harvester	A. Morillo	D. Jaeger	28-05-2024	0.07
PART NAME	SPECIFICACIONES			CODE
Feeding drums 1				1.25.0
DEVELOPED BY	REDESIGNED BY	FILENAME		QTY
		1.25.ipn		1
		LICENSE	DOC. TYPE	SCALE
Hanfasser		CC-BY-SA 4.0	Assembly	2 : 25
				SHEET
				79 /215

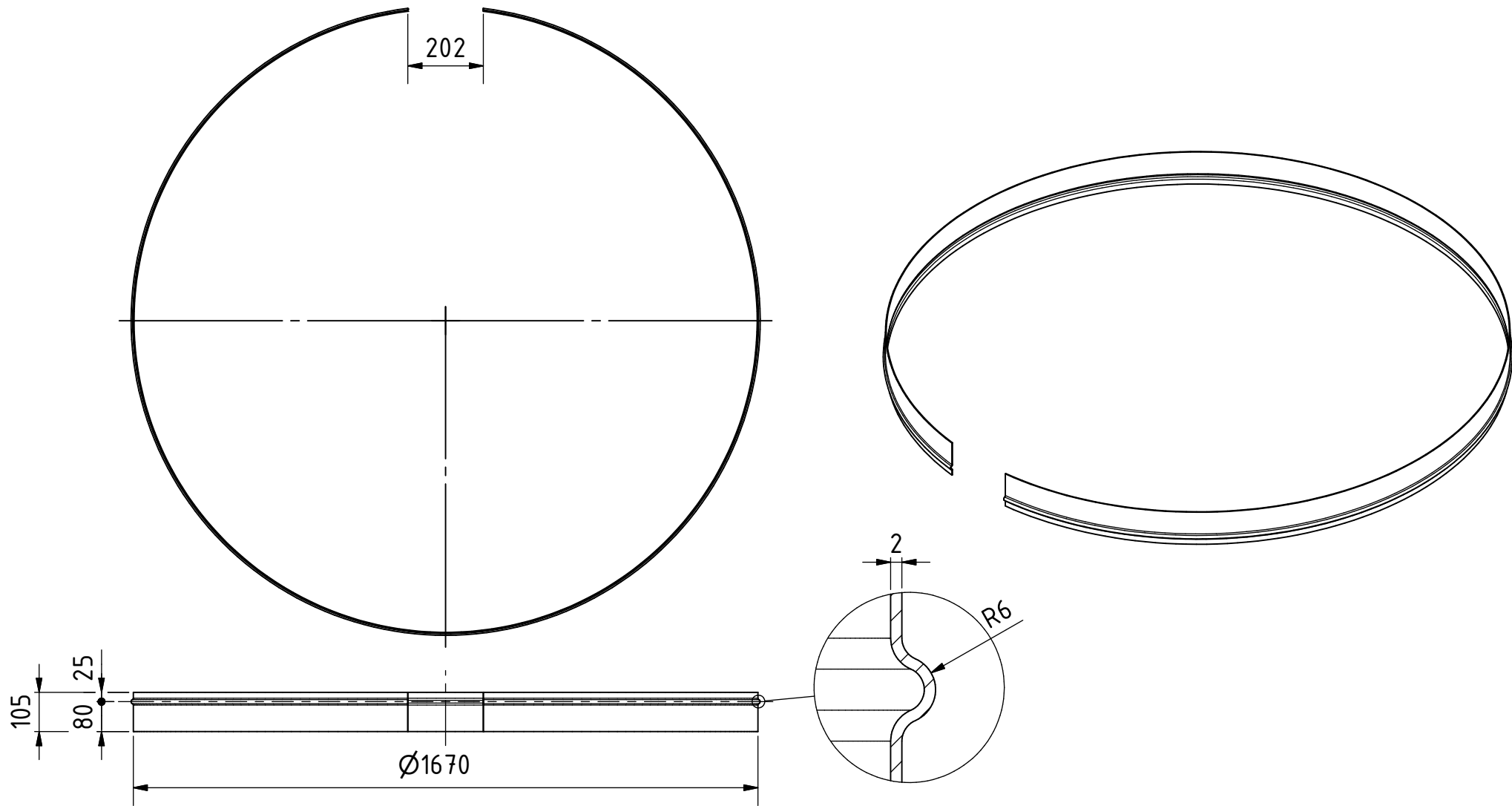
OHO e.V.

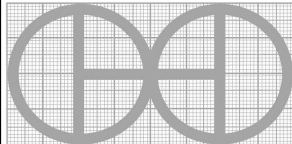


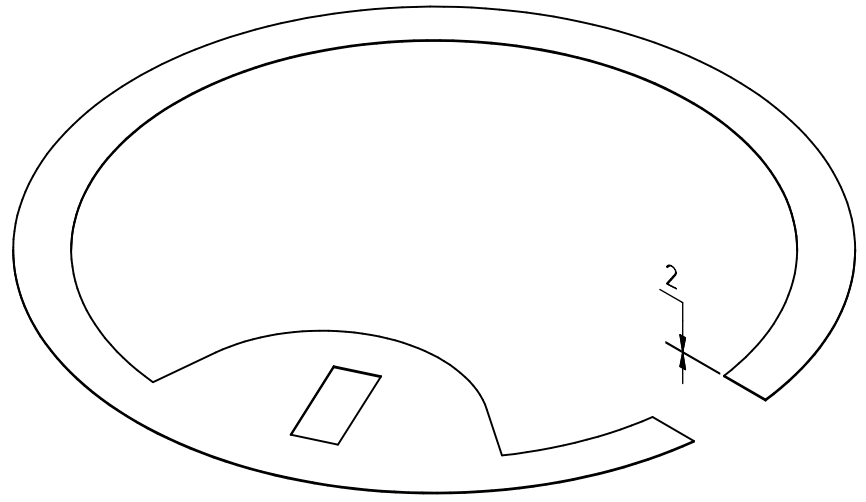
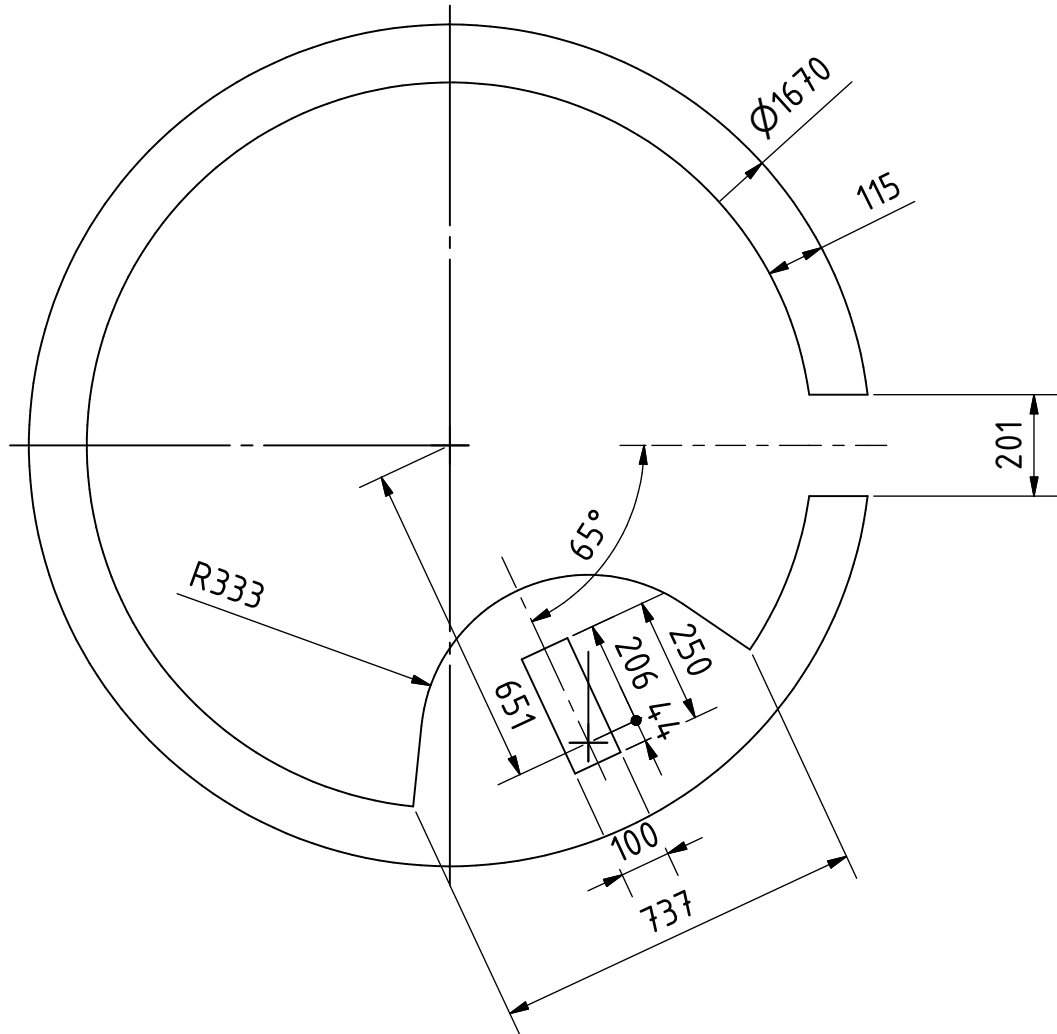
Flat pattern



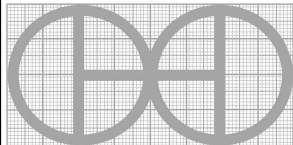
PROJECT	CREATED BY	APPROVED BY	DATE	VERSION
Vertical Drum Hemp Harvester	A. Morillo	D. Jaeger	28-05-2024	0.07
PART NAME	SPECIFICACIONES			CODE
Part 1.25.1	Sheet 2mm			1.25.1
DEVELOPED BY	REDESIGNED BY	FILENAME		QTY
		1.25.1.ipt		1
		LICENSE	DOC. TYPE	SCALE
Hanfasser		CC-BY-SA 4.0	Part	1 : 15
				80 /215



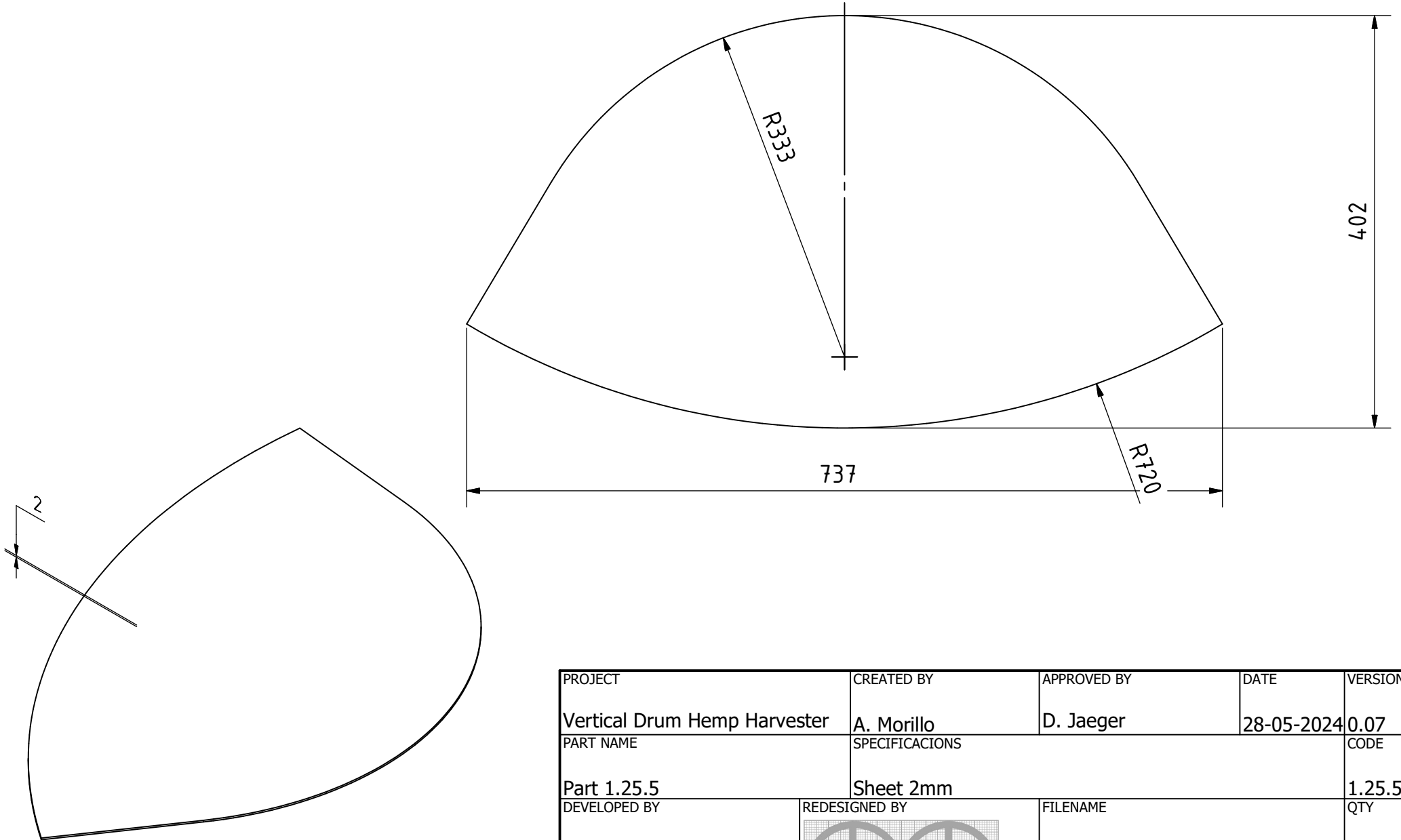
PROJECT	CREATED BY	APPROVED BY	DATE	VERSION
Vertical Drum Hemp Harvester	A. Morillo	D. Jaeger	28-05-2024	0.07
PART NAME	SPECIFICACIONES			CODE
Part 1.25.3	Sheet 2mm			1.25.3
DEVELOPED BY	REDESIGNED BY	FILENAME		QTY
		1.25.3.ipt		1
Hanfasser		LICENSE	DOC. TYPE	SCALE
		CC-BY-SA 4.0	Part	1 : 15
				SHEET
				81 / 215

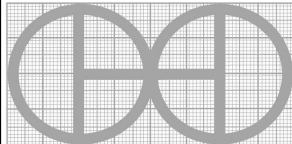


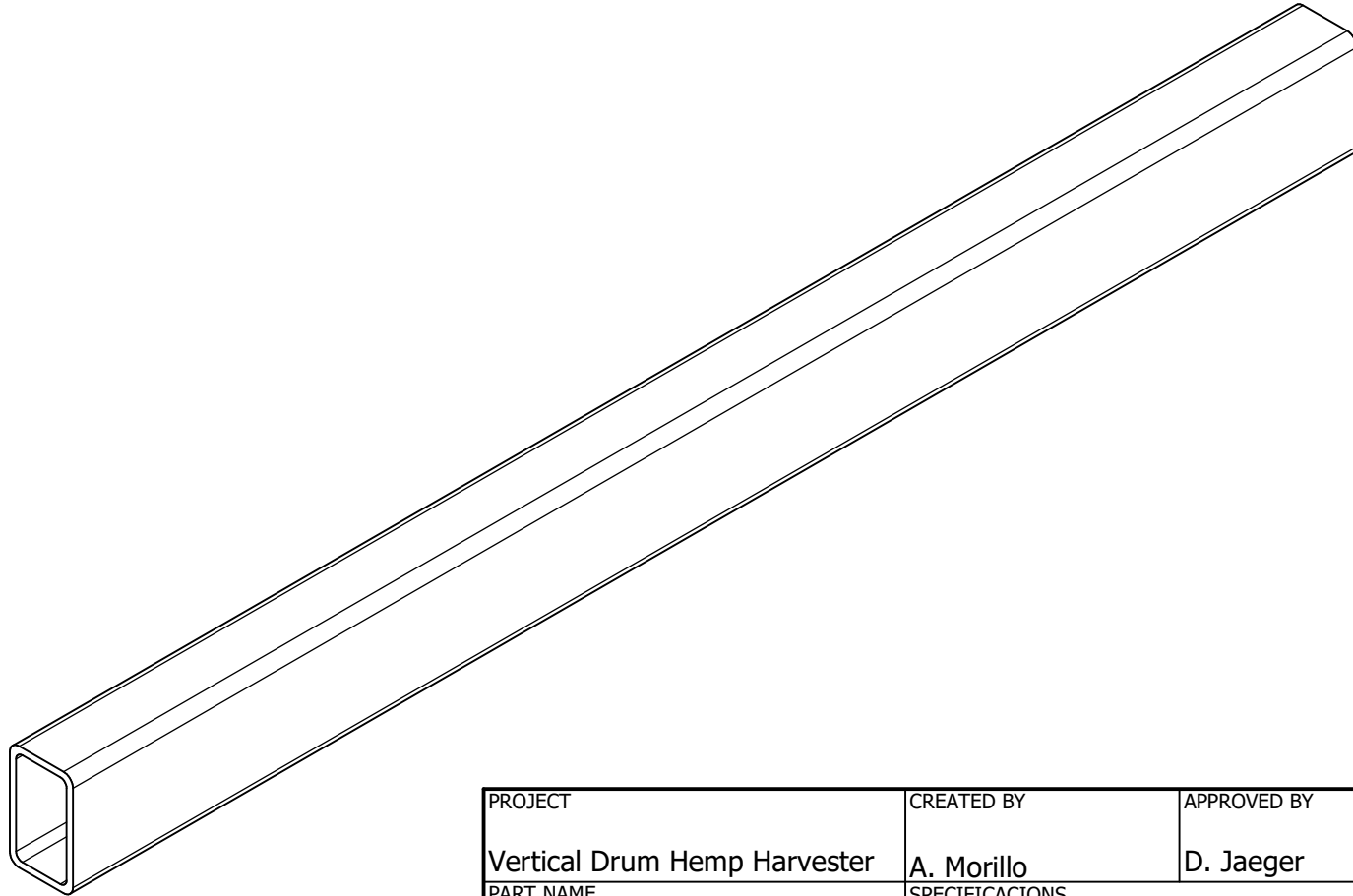
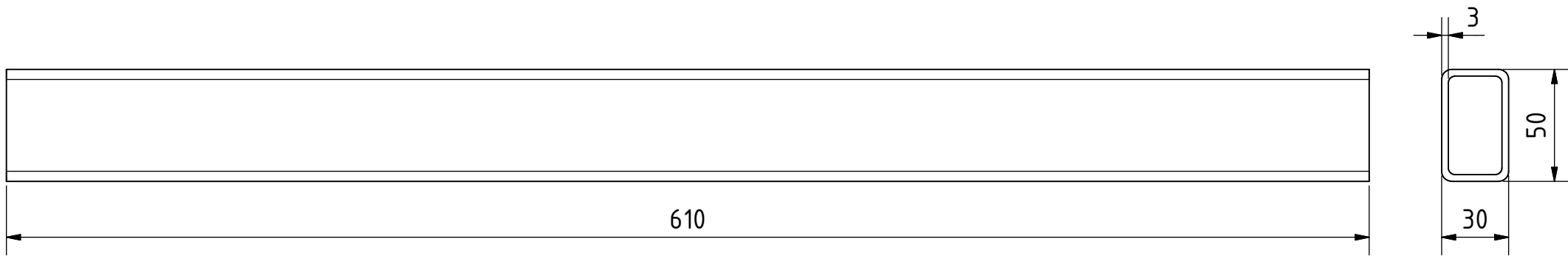
PROJECT	CREATED BY	APPROVED BY	DATE	VERSION
Vertical Drum Hemp Harvester	A. Morillo	D. Jaeger	28-05-2024	0.07
PART NAME	SPECIFICACIONES			CODE
Part 1.25.4	Sheet 2mm			1.25.4
DEVELOPED BY	REDESIGNED BY	FILENAME		QTY
		1.25.4.ipt		1
		LICENSE	DOC. TYPE	SCALE
		CC-BY-SA 4.0	Part	1 : 15
Handfasser				82 /215

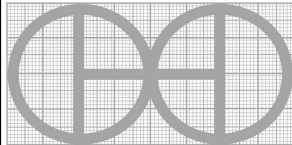


OHO e.V.

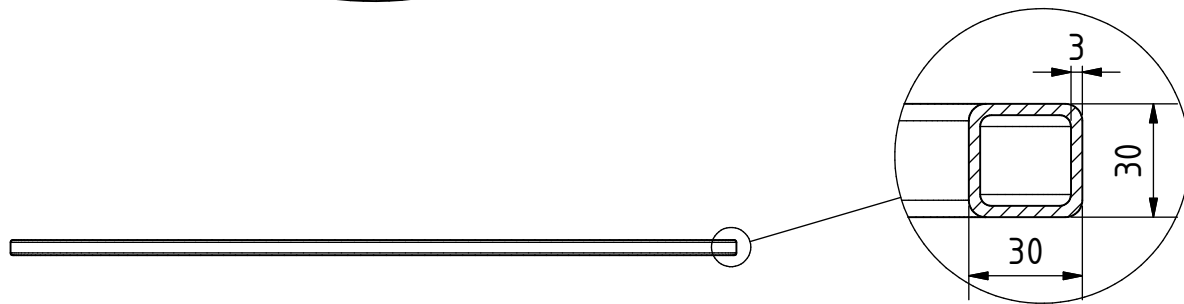
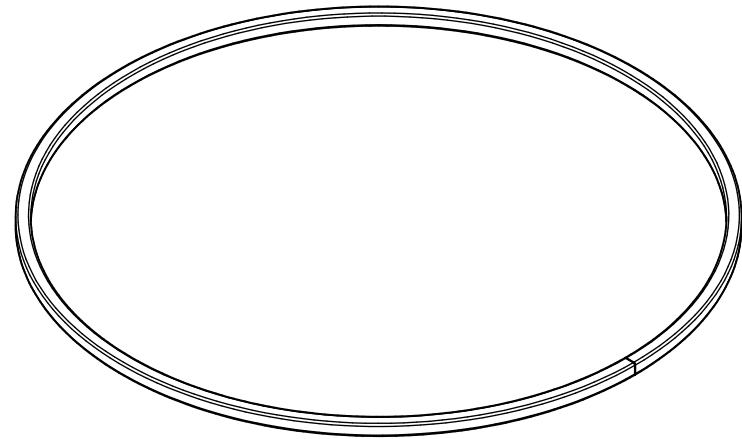
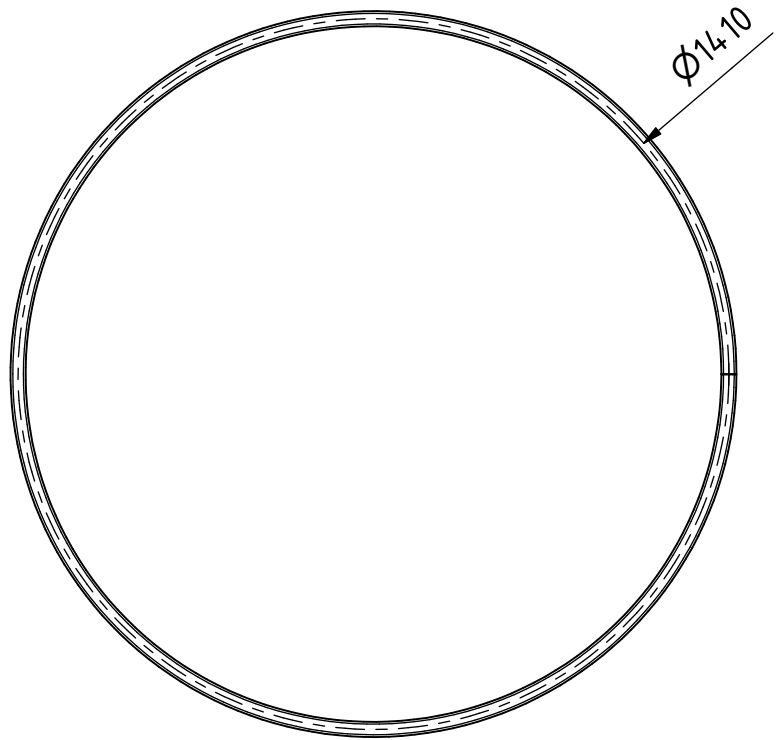


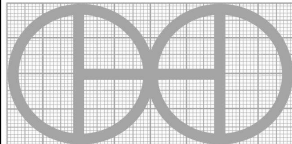
PROJECT	CREATED BY	APPROVED BY	DATE	VERSION	
Vertical Drum Hemp Harvester	A. Morillo	D. Jaeger	28-05-2024	0.07	
PART NAME	SPECIFICACIONES			CODE	
Part 1.25.5	Sheet 2mm			1.25.5	
DEVELOPED BY	REDESIGNED BY	FILENAME		QTY	
Hanfasser		OHO e.V. 1.25.5.ipt		1	
		LICENSE	DOC. TYPE	SCALE	SHEET
		CC-BY-SA 4.0	Part	1 : 5	83 /215

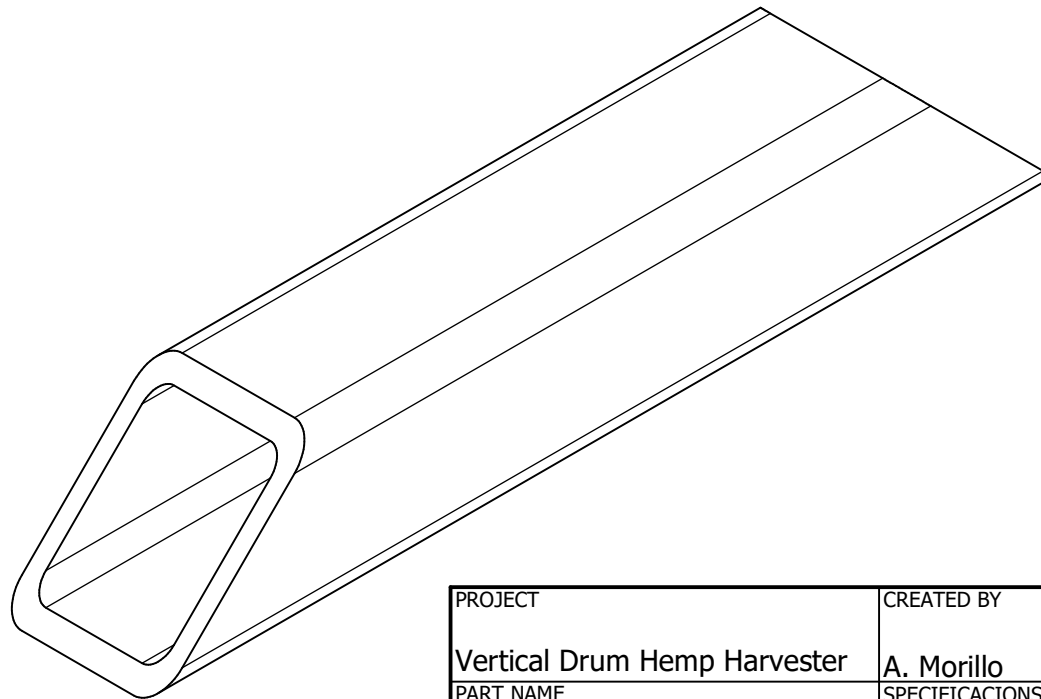
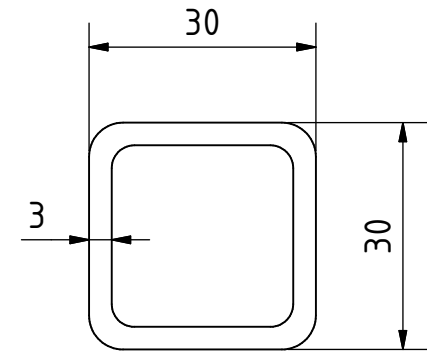
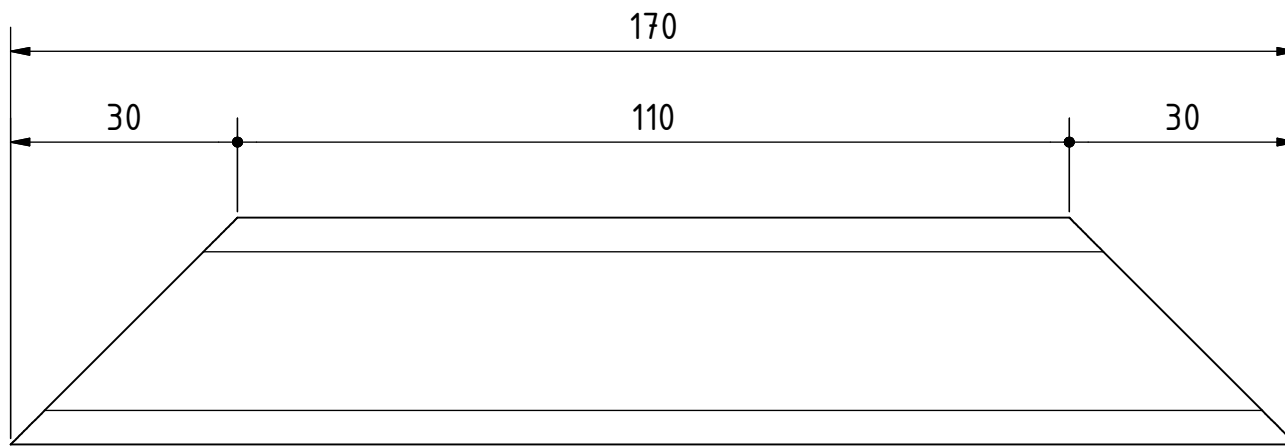


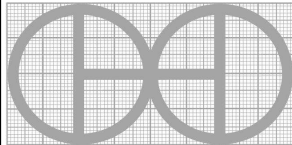
PROJECT	CREATED BY	APPROVED BY	DATE	VERSION	
Vertical Drum Hemp Harvester	A. Morillo	D. Jaeger	28-05-2024	0.07	
PART NAME	SPECIFICACIONES			CODE	
Part 1.25.6	Rectangle profile 50*30*3 mm			1.25.6	
DEVELOPED BY	REDESIGNED BY	FILENAME		QTY	
Hanfasser		1.25.6.ipt		3	
		LICENSE	DOC. TYPE	SCALE	SHEET
		CC-BY-SA 4.0	Part	2 : 5	84 /215

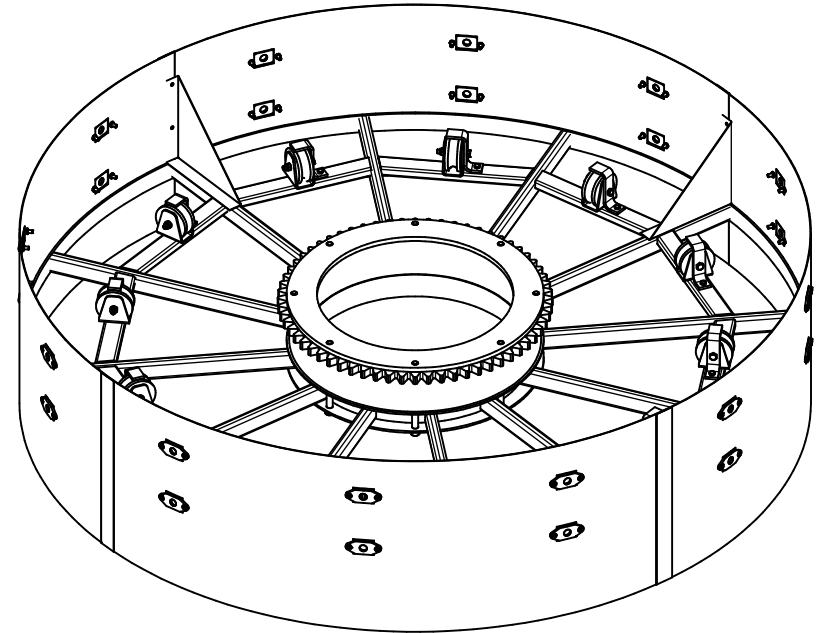
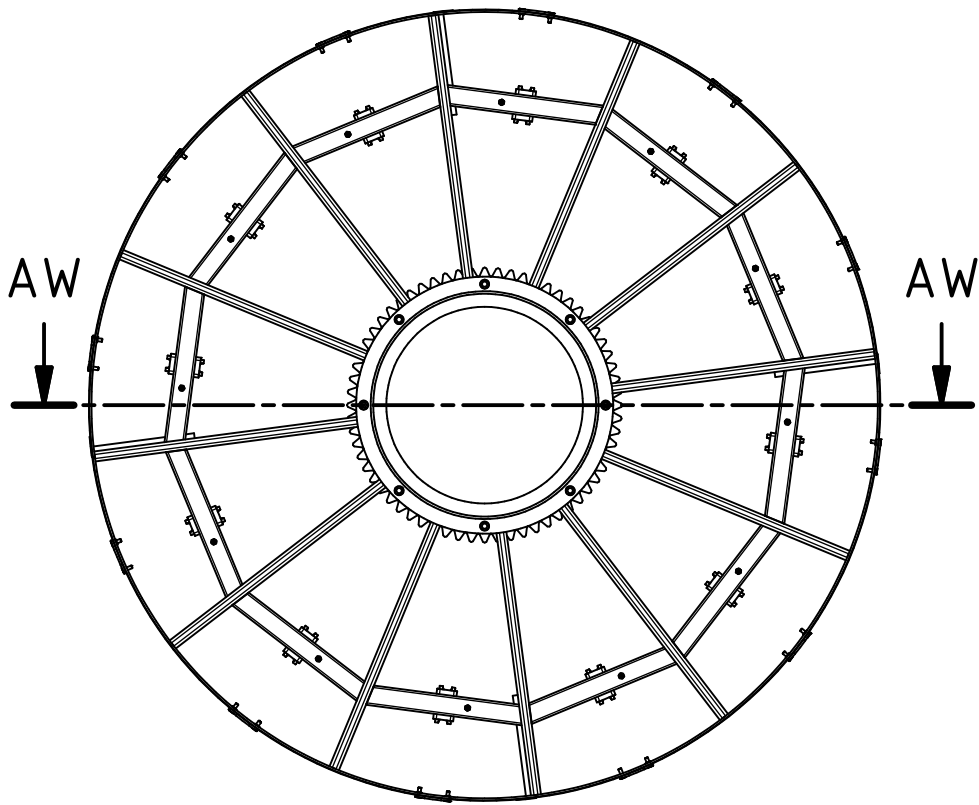
OHO e.V.



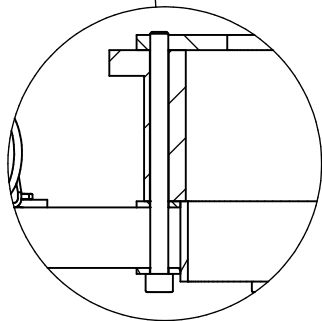
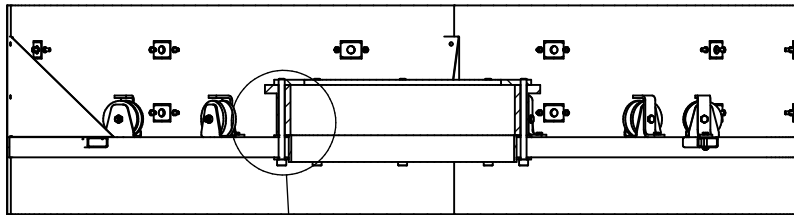
PROJECT	CREATED BY	APPROVED BY	DATE	VERSION	
Vertical Drum Hemp Harvester	A. Morillo	D. Jaeger	28-05-2024	0.07	
PART NAME	SPECIFICACIONES			CODE	
Part 1.25.7	Square profile 30*30*3 mm			1.25.7	
DEVELOPED BY	REDESIGNED BY	FILENAME		QTY	
Hanfasser		1.25.7.ipt		1	
		LICENSE	DOC. TYPE	SCALE	SHEET
		CC-BY-SA 4.0	Part	1 : 15	85 /215



PROJECT	CREATED BY	APPROVED BY	DATE	VERSION
Vertical Drum Hemp Harvester	A. Morillo	D. Jaeger	28-05-2024	0.07
PART NAME	SPECIFICACIONES			CODE
Part 1.25.8	Square profile 30*30*3 mm			1.25.8
DEVELOPED BY	REDESIGNED BY	FILENAME		QTY
		1.25.8.ipt		3
Hanfasser		LICENSE	DOC. TYPE	SCALE
		CC-BY-SA 4.0	Part	1 : 1
				SHEET
				86 /215



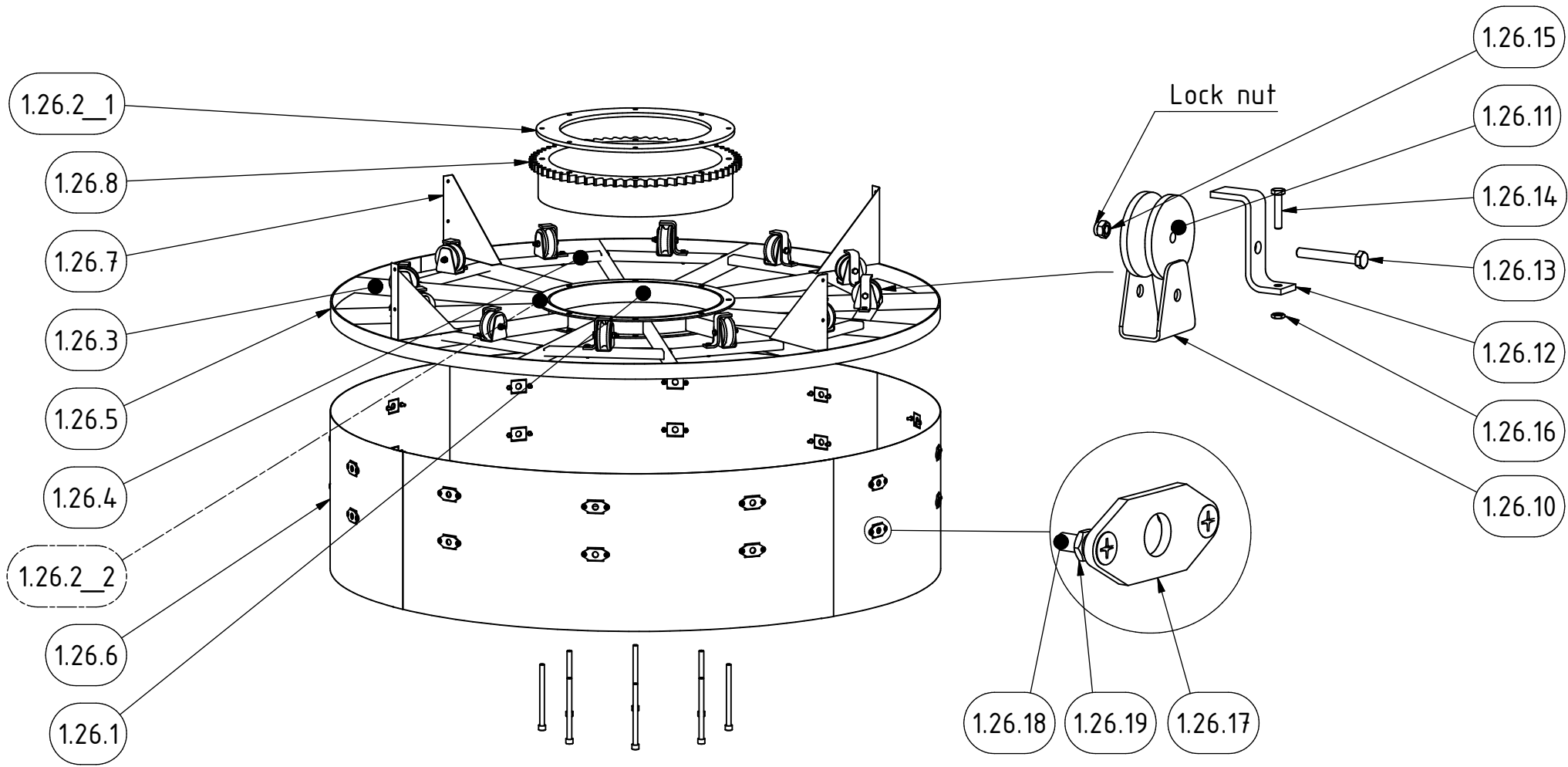
AW-AW (1 : 15)



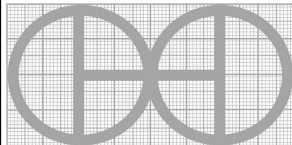
Symetrical sets

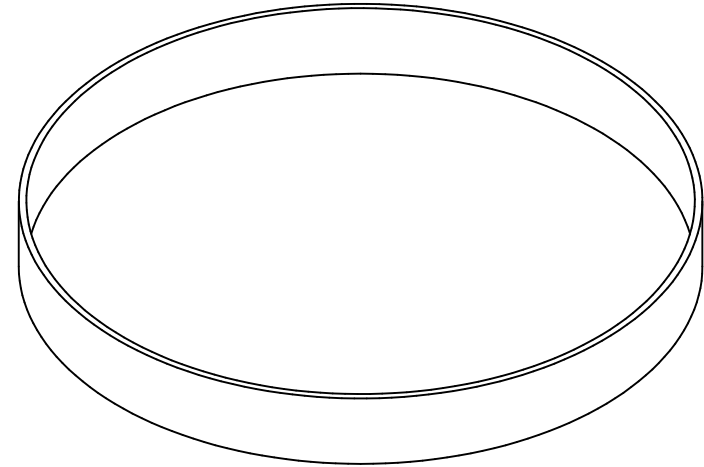
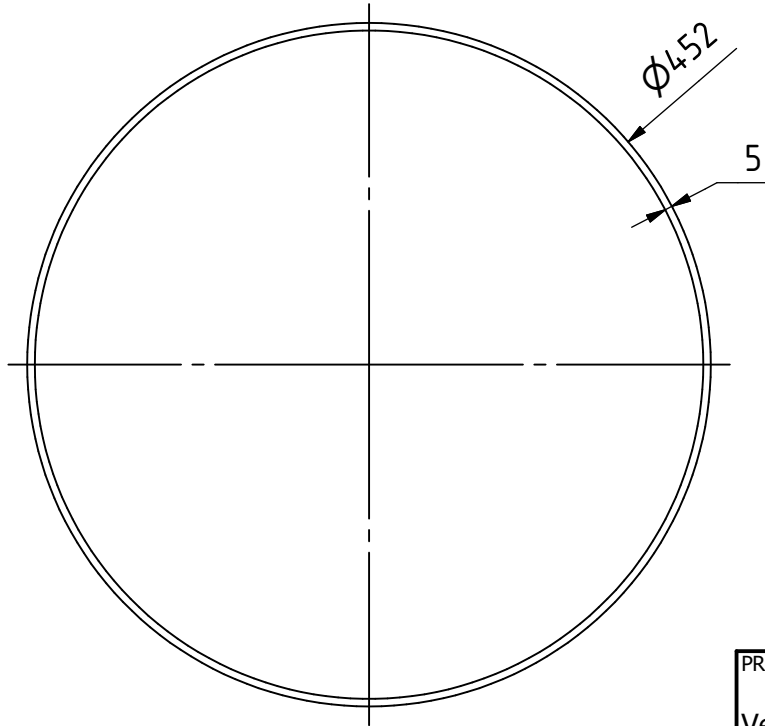
PROJECT	CREATED BY	APPROVED BY	DATE	VERSION
Vertical Drum Hemp Harvester	A. Morillo	D. Jaeger	28-05-2024	0.07
PART NAME	SPECIFICACIONES			CODE
Feed drum bottom				1.26.0
DEVELOPED BY	REDESIGNED BY	FILENAME	QTY	
		1.26.iam	2	
		LICENSE	DOC. TYPE	SCALE
Hanfasser		CC-BY-SA 4.0	Assembly	1 : 15
				SHEET
				87 /215

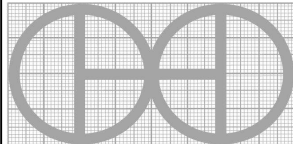
OHO e.V.



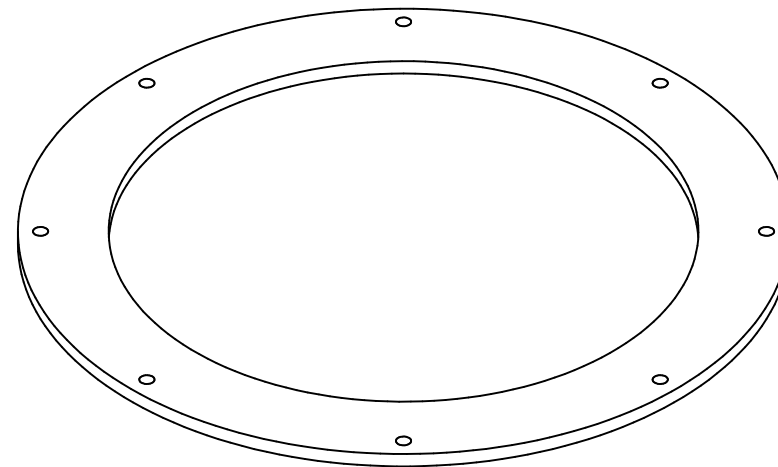
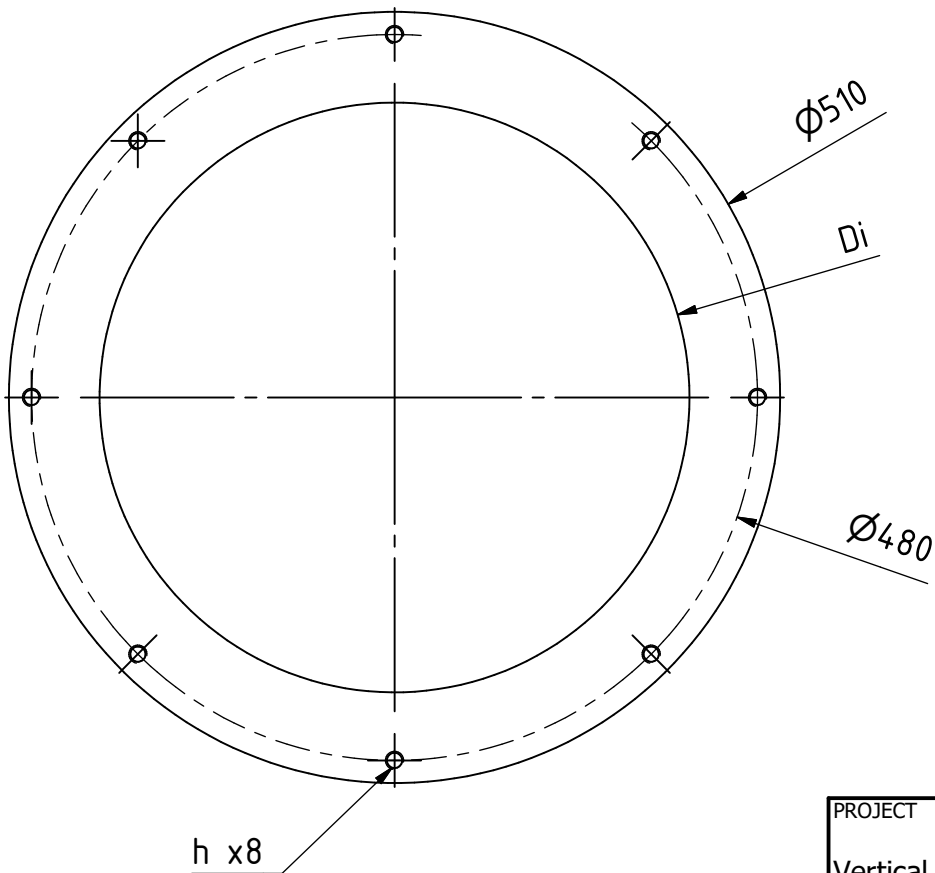
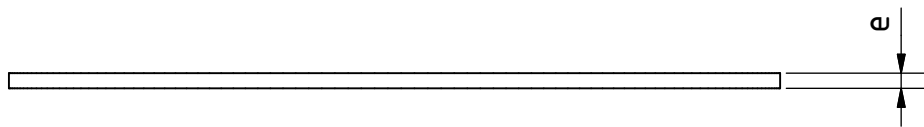
Symetrical sets

PROJECT	CREATED BY	APPROVED BY	DATE	VERSION
Vertical Drum Hemp Harvester	A. Morillo	D. Jaeger	28-05-2024	0.07
PART NAME	SPECIFICACIONES			CODE
Feed drum bottom				1.26.0
DEVELOPED BY	REDESIGNED BY	FILENAME	QTY	
		1.26.ipn	2	
Hanfasser		LICENSE	DOC. TYPE	SCALE
		CC-BY-SA 4.0	Assembly	1 : 15
				SHEET
				88 /215



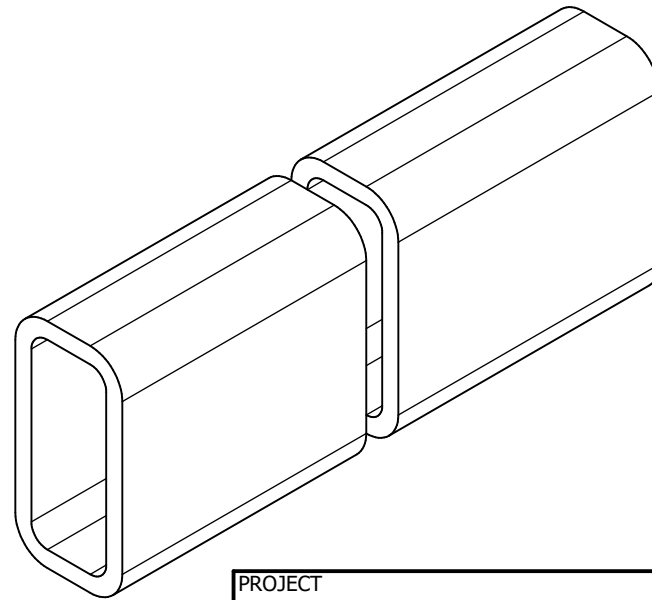
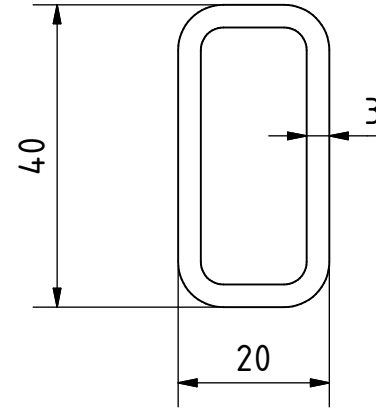
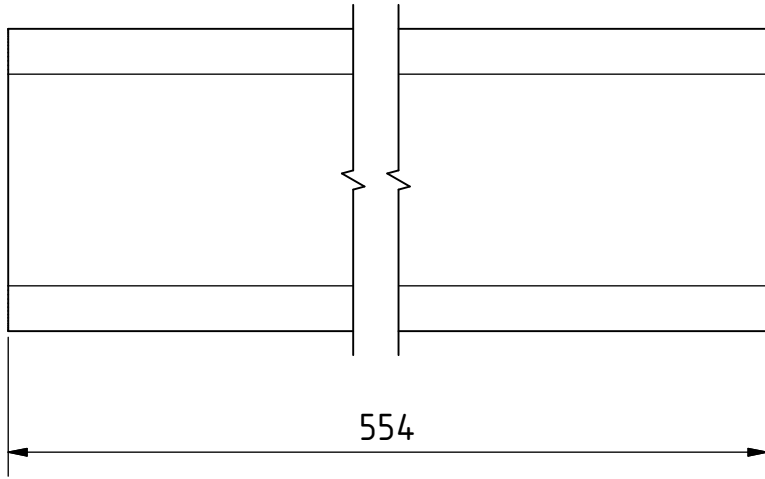
PROJECT	CREATED BY	APPROVED BY	DATE	VERSION	
Vertical Drum Hemp Harvester	A. Morillo	D. Jaeger	28-05-2024	0.07	
PART NAME	SPECIFICACIONES			CODE	
Inner ring 1	Steel 235J2			1.26.1	
DEVELOPED BY	REDESIGNED BY	FILENAME		QTY	
Hanfasser		1.26.3.ipt		1	
		LICENSE	DOC. TYPE	SCALE	SHEET
		CC-BY-SA 4.0	Part	1 : 5	89 /215

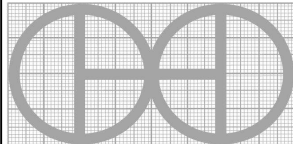
OHO e.V.

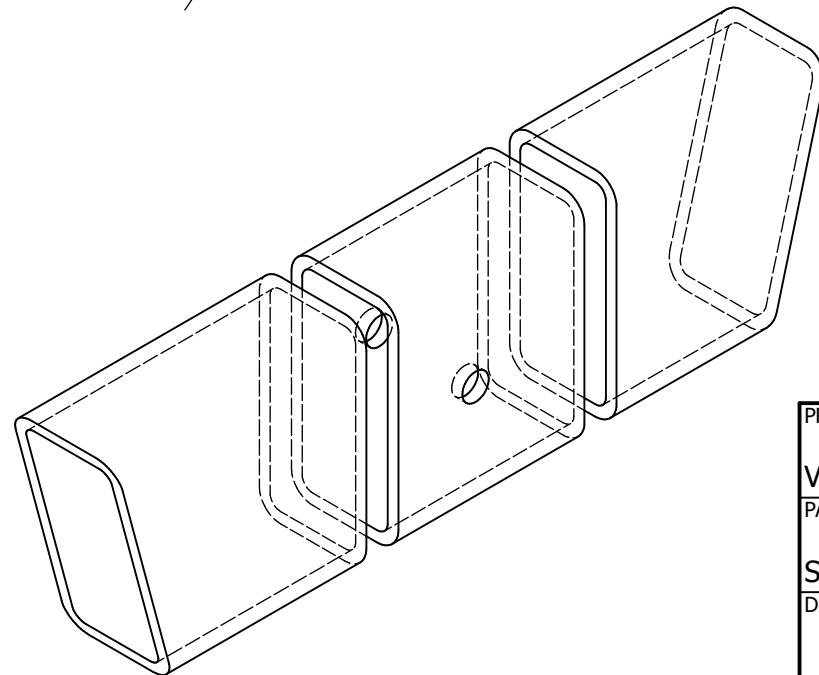
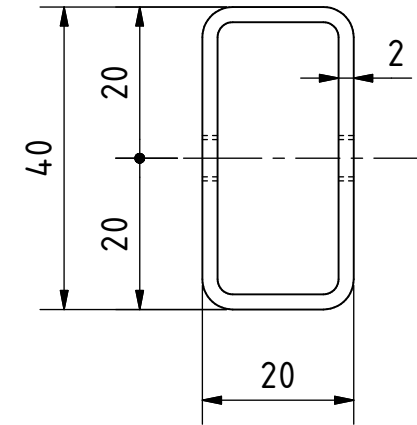
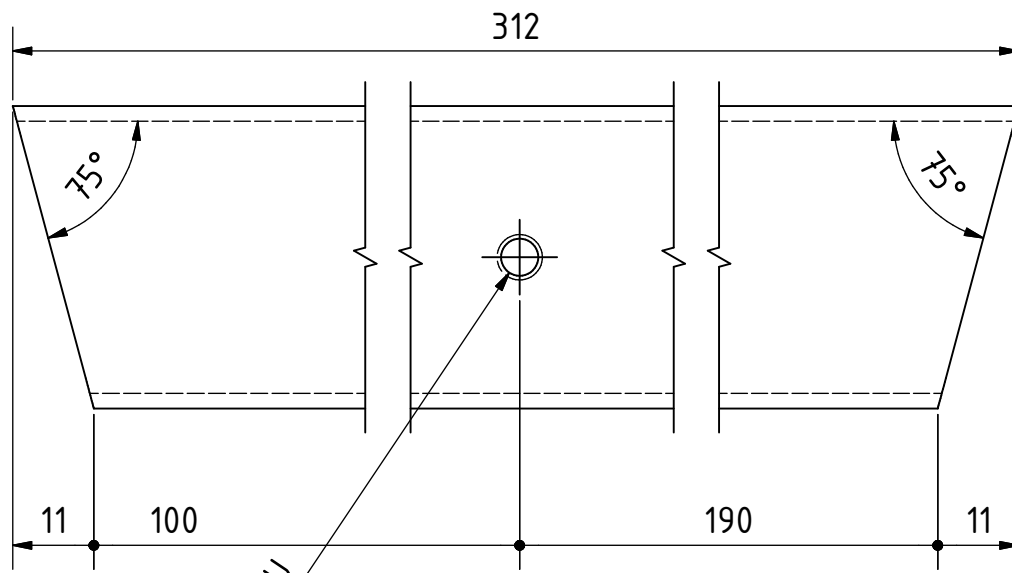


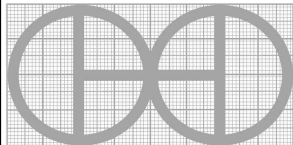
Size table				
Pos	e	Di	h	Qty
1.26_2_1	10	390	M12*1.75	1
1.26.2_2	4	452	D 12.5	2

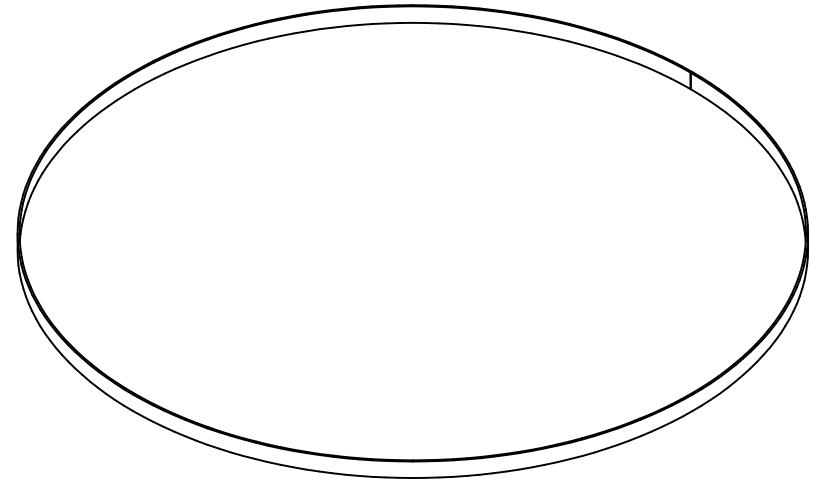
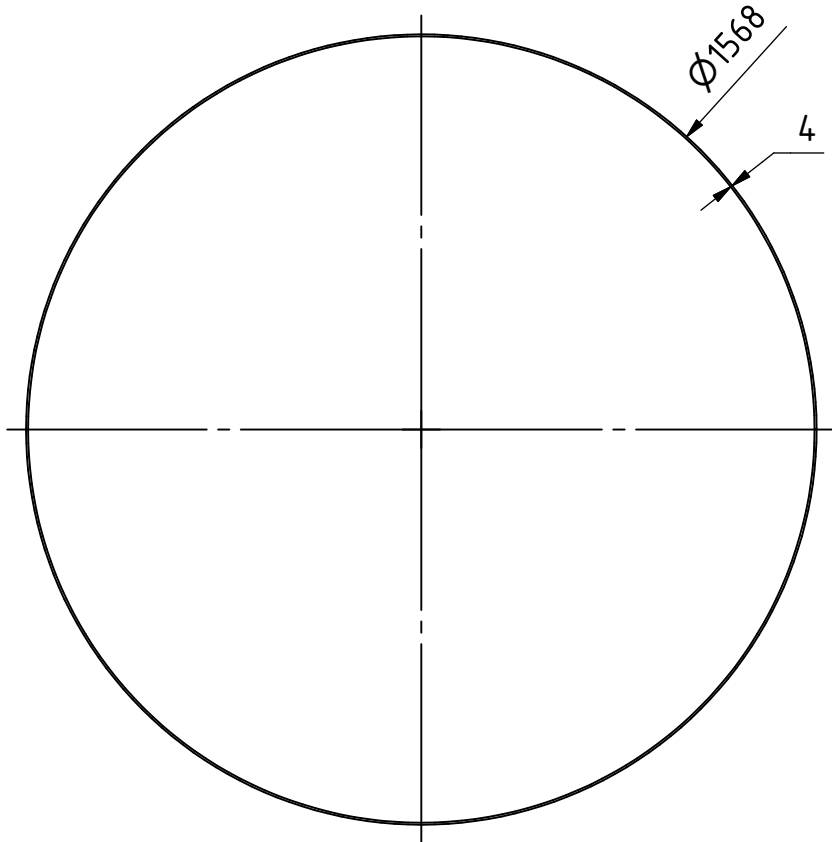
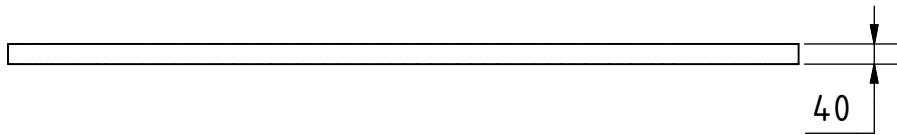
PROJECT	CREATED BY	APPROVED BY	DATE	VERSION	
Vertical Drum Hemp Harvester	A. Morillo	D. Jaeger	28-05-2024	0.07	
PART NAME	SPECIFICACIONES			CODE	
Inner ring 2	Steel 235J2			1.26.2	
DEVELOPED BY	REDESIGNED BY	FILENAME		QTY	
Hanfasser		1.26.9.ipt		3	
		LICENSE	DOC. TYPE	SCALE	SHEET
		CC-BY-SA 4.0	Part	1 : 5	90 /215

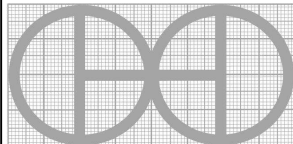


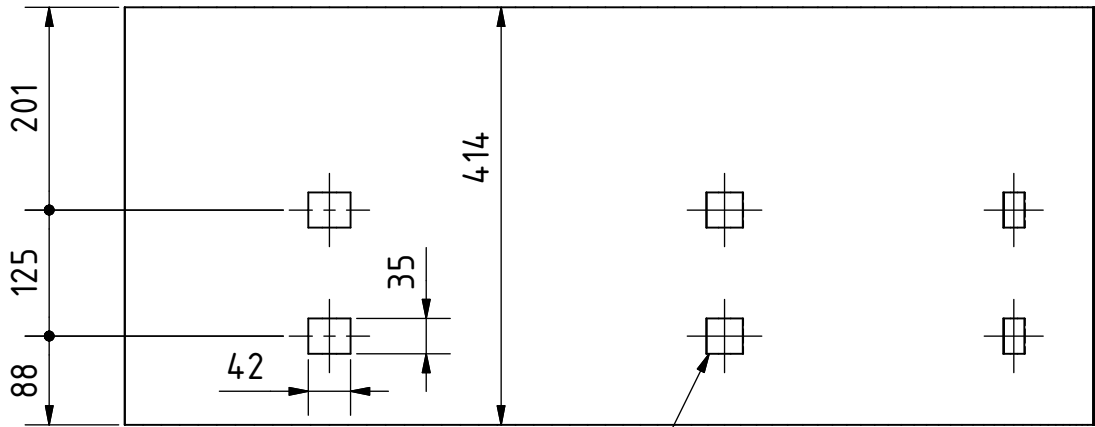
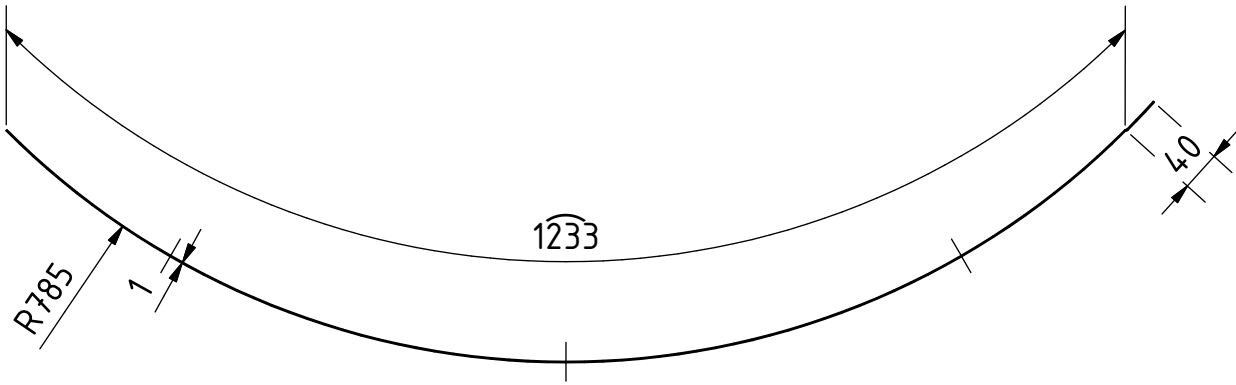
PROJECT		CREATED BY		APPROVED BY		DATE		VERSION	
Vertical Drum Hemp Harvester		A. Morillo		D. Jaeger		28-05-2024		0.07	
PART NAME		SPECIFICACIONES						CODE	
Structure support 1		Rectangle profile 40*20*3 mm						1.26.3	
DEVELOPED BY		REDESIGNED BY		FILENAME				QTY	
Hanfasser				OHO e.V. 1.26.4				12	
				LICENSE		DOC. TYPE		SCALE	
				CC-BY-SA 4.0		Part		1 : 1	
								91 /215	



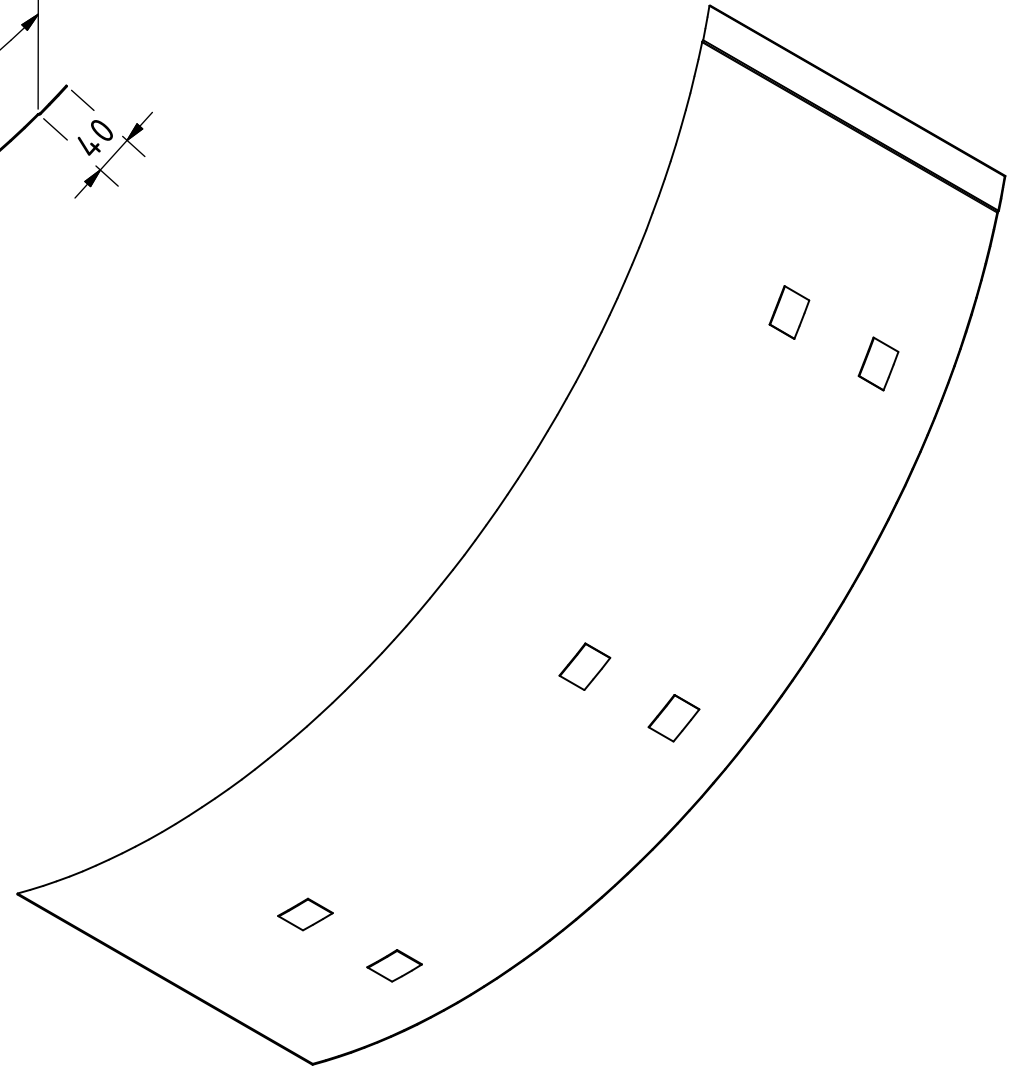
PROJECT	CREATED BY	APPROVED BY	DATE	VERSION
Vertical Drum Hemp Harvester	A. Morillo	D. Jaeger	28-05-2024	0.07
PART NAME	SPECIFICACIONES			CODE
Structure support 2	Rectangle profile 40*20*3 mm			1.26.4
DEVELOPED BY	REDESIGNED BY	FILENAME		QTY
		1.26.6		12
Hanfasser		LICENSE	DOC. TYPE	SCALE SHEET
		CC-BY-SA 4.0	Part	1 : 1 92 /215

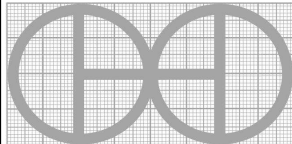


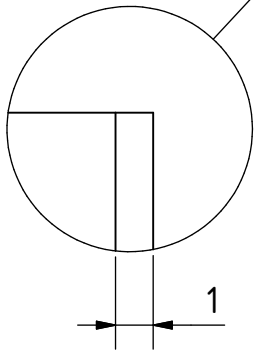
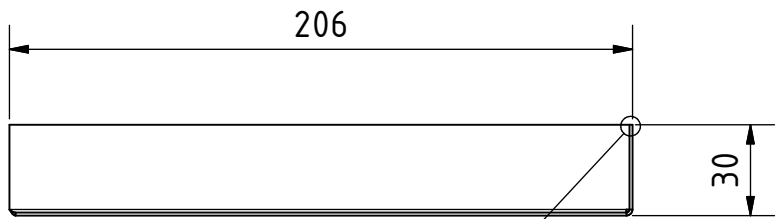
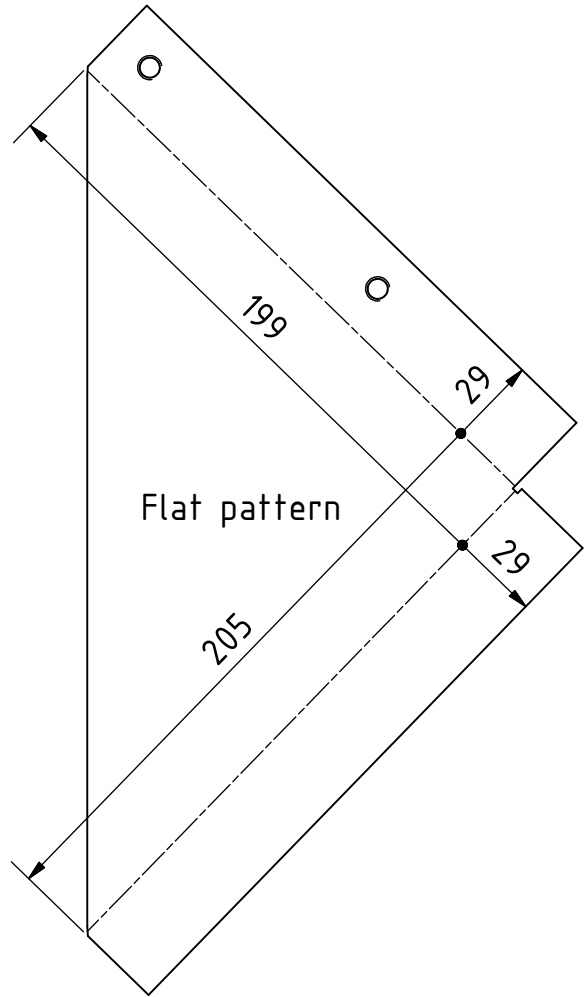
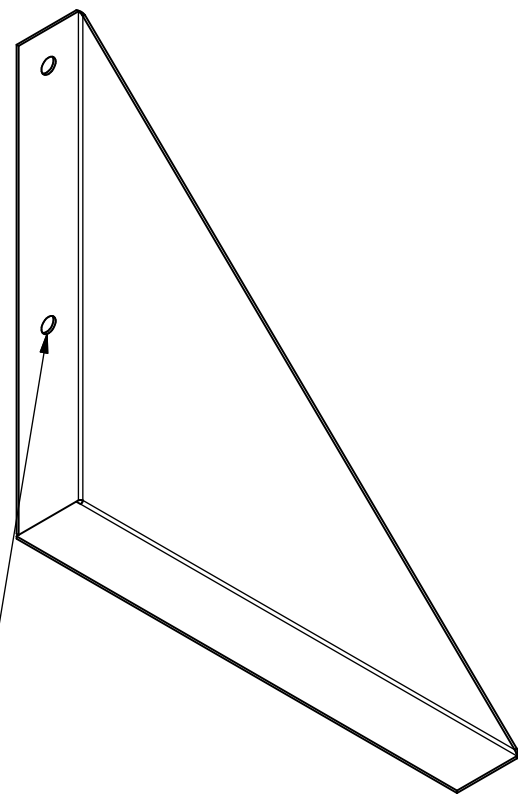
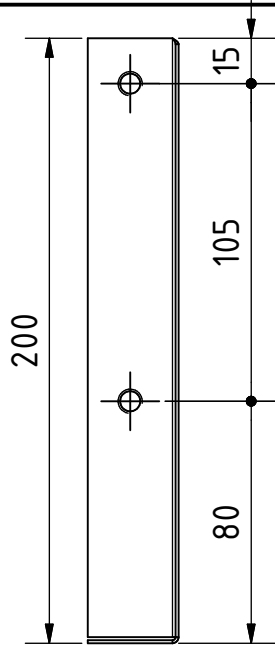
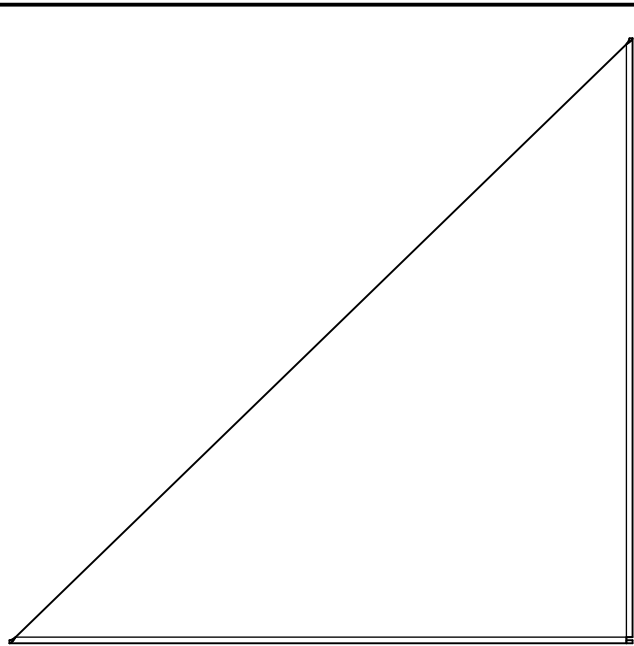
PROJECT	CREATED BY	APPROVED BY	DATE	VERSION	
Vertical Drum Hemp Harvester	A. Morillo	D. Jaeger	28-05-2024	0.07	
PART NAME	SPECIFICACIONES			CODE	
Outer ring	Flat bar 40*4 mm			1.26.5	
DEVELOPED BY	REDESIGNED BY	FILENAME		QTY	
Hanfasser		OHO e.V. 1.26.5		1	
		LICENSE	DOC. TYPE	SCALE	SHEET
		CC-BY-SA 4.0	Part	1 : 15	93 /215

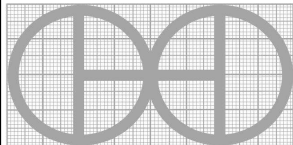


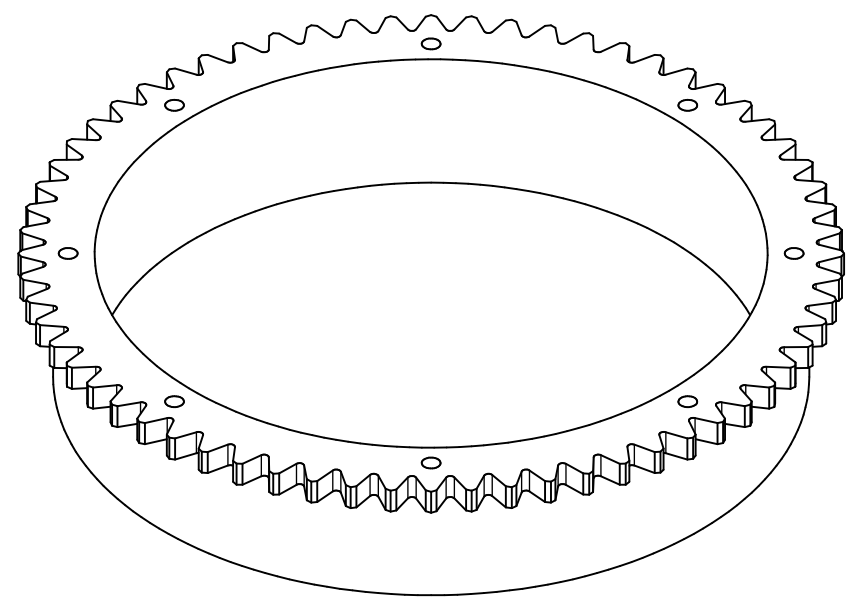
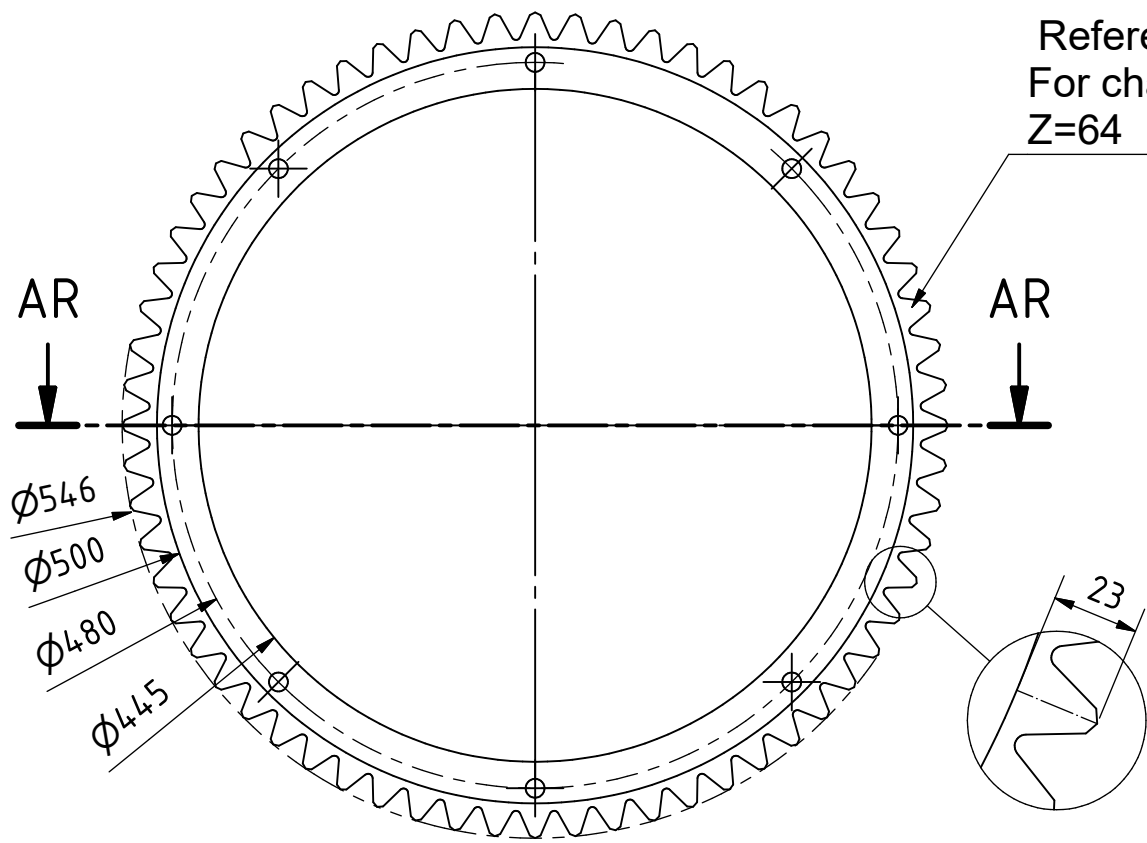
Equidistant perforations
at 30°



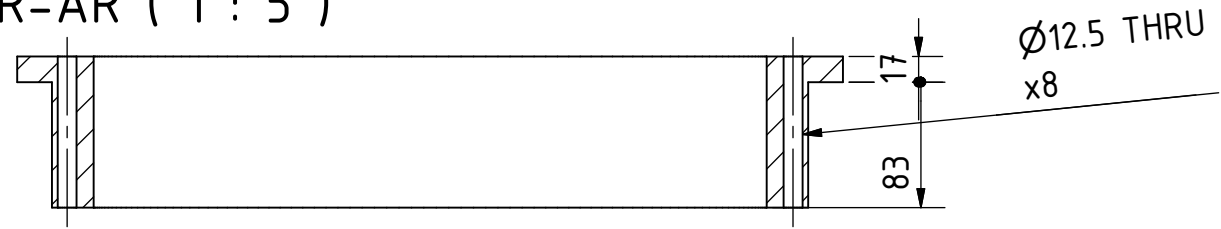
PROJECT	CREATED BY	APPROVED BY	DATE	VERSION	
Vertical Drum Hemp Harvester	A. Morillo	D. Jaeger	28-05-2024	0.07	
PART NAME	SPECIFICACIONES			CODE	
Metallic cover 1	Sheet 1mm			1.26.6	
DEVELOPED BY	REDESIGNED BY	FILENAME		QTY	
		2.20.5.ipt		4	
Hanfasser		LICENSE	DOC. TYPE	SCALE	SHEET
		CC-BY-SA 4.0	Part	2 : 15	94 /215



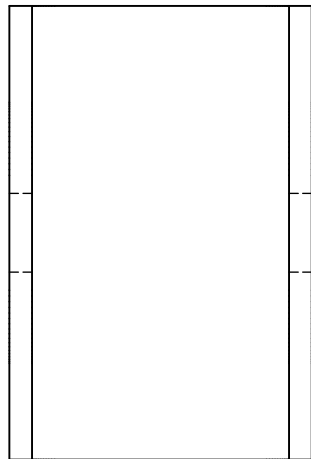
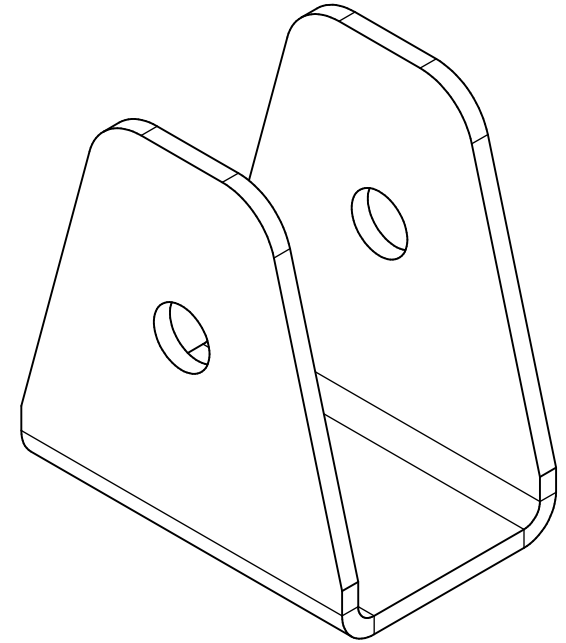
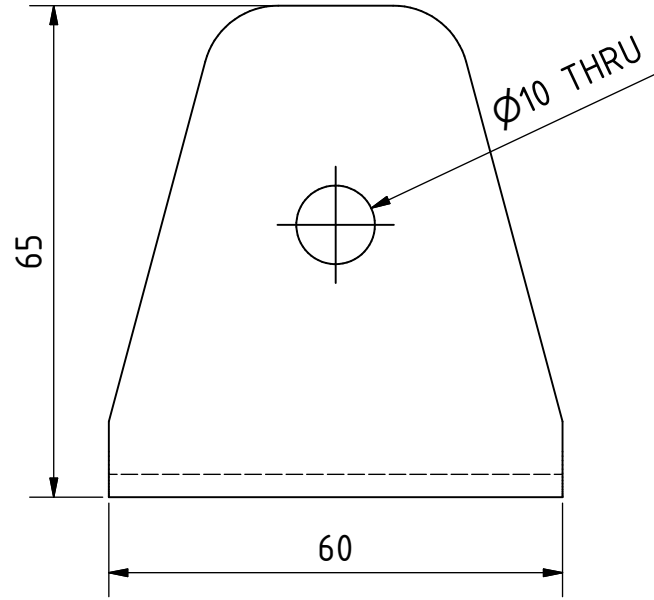
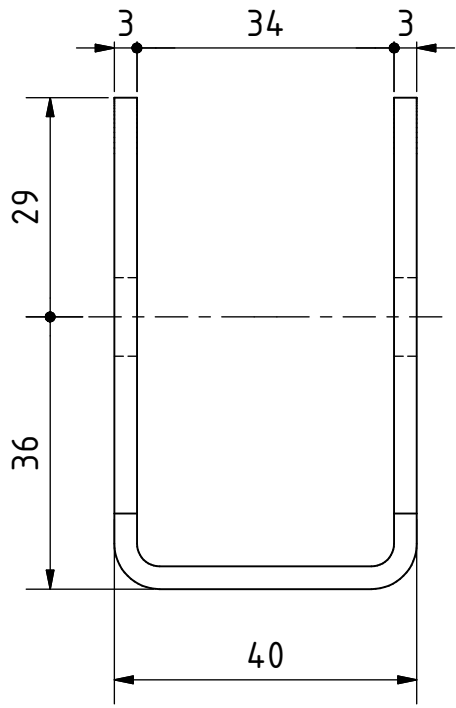
PROJECT		CREATED BY		APPROVED BY		DATE		VERSION		
Vertical Drum Hemp Harvester		A. Morillo		D. Jaeger		28-05-2024		0.07		
PART NAME		SPECIFICACIONES							CODE	
Thin sheet reinforcement		Sheet 1mm							1.26.7	
DEVELOPED BY		REDESIGNED BY		FILENAME				QTY		
Hanfasser				1.26.11.ipt				4		
				LICENSE		DOC. TYPE		SCALE		SHEET
				CC-BY-SA 4.0		Part		2 : 5		
								95 /215		

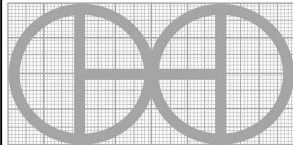


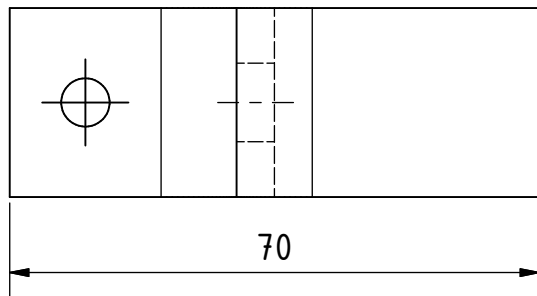
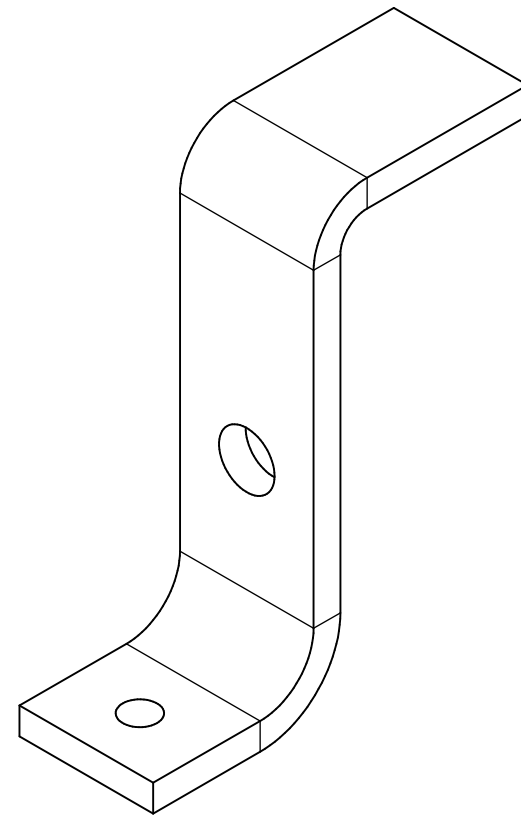
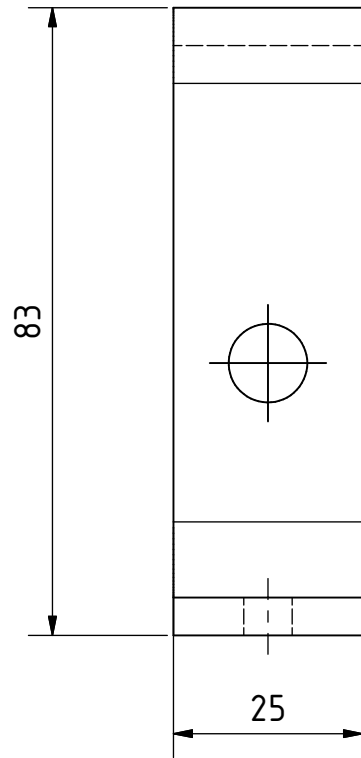
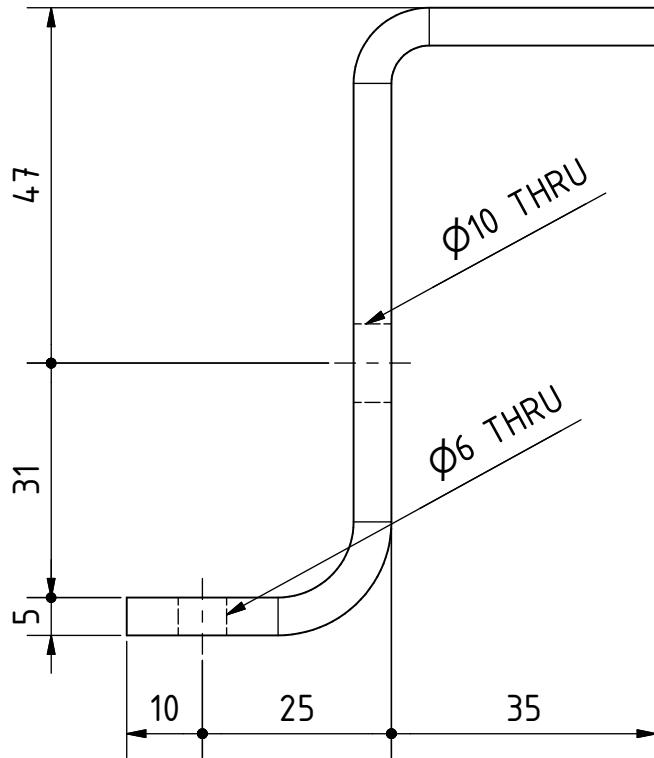
AR-AR (1 : 5)

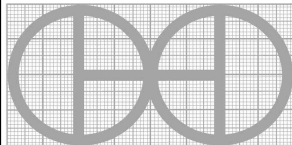


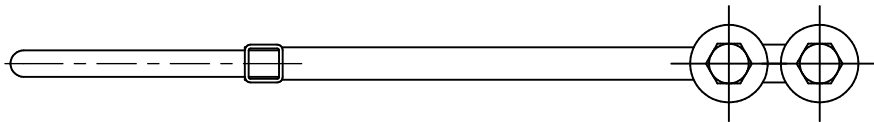
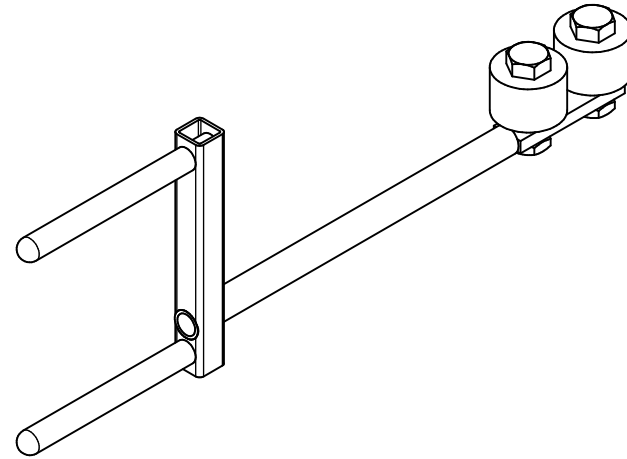
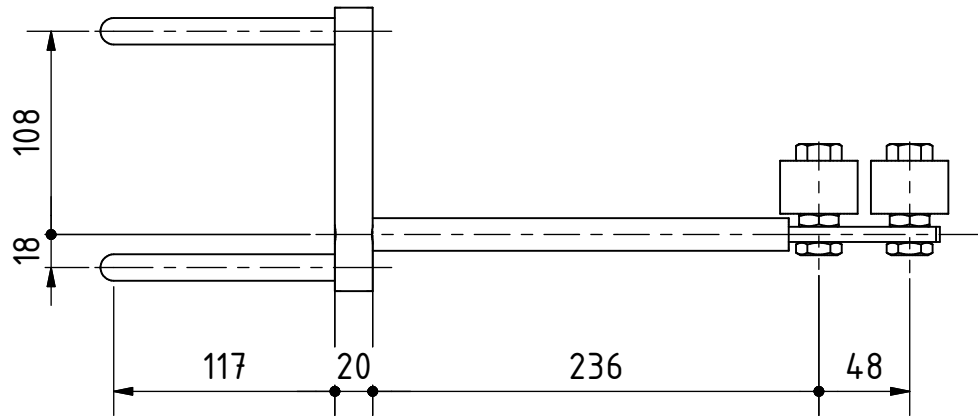
PROJECT	CREATED BY	APPROVED BY	DATE	VERSION
Vertical Drum Hemp Harvester	A. Morillo	D. Jaeger	28-05-2024	0.07
PART NAME	SPECIFICACIONES			CODE
Sprocket wheel	For chain 16B-1-70, Z=64, Steel 235J2			1.26.8
DEVELOPED BY	REDESIGNED BY	FILENAME		QTY
		1.26.1.ipt		1
Hanfasser		LICENSE	DOC. TYPE	SHEET
		CC-BY-SA 4.0	Part	1 : 5 96 /215

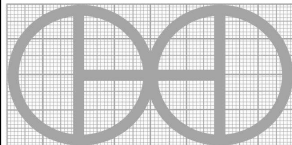


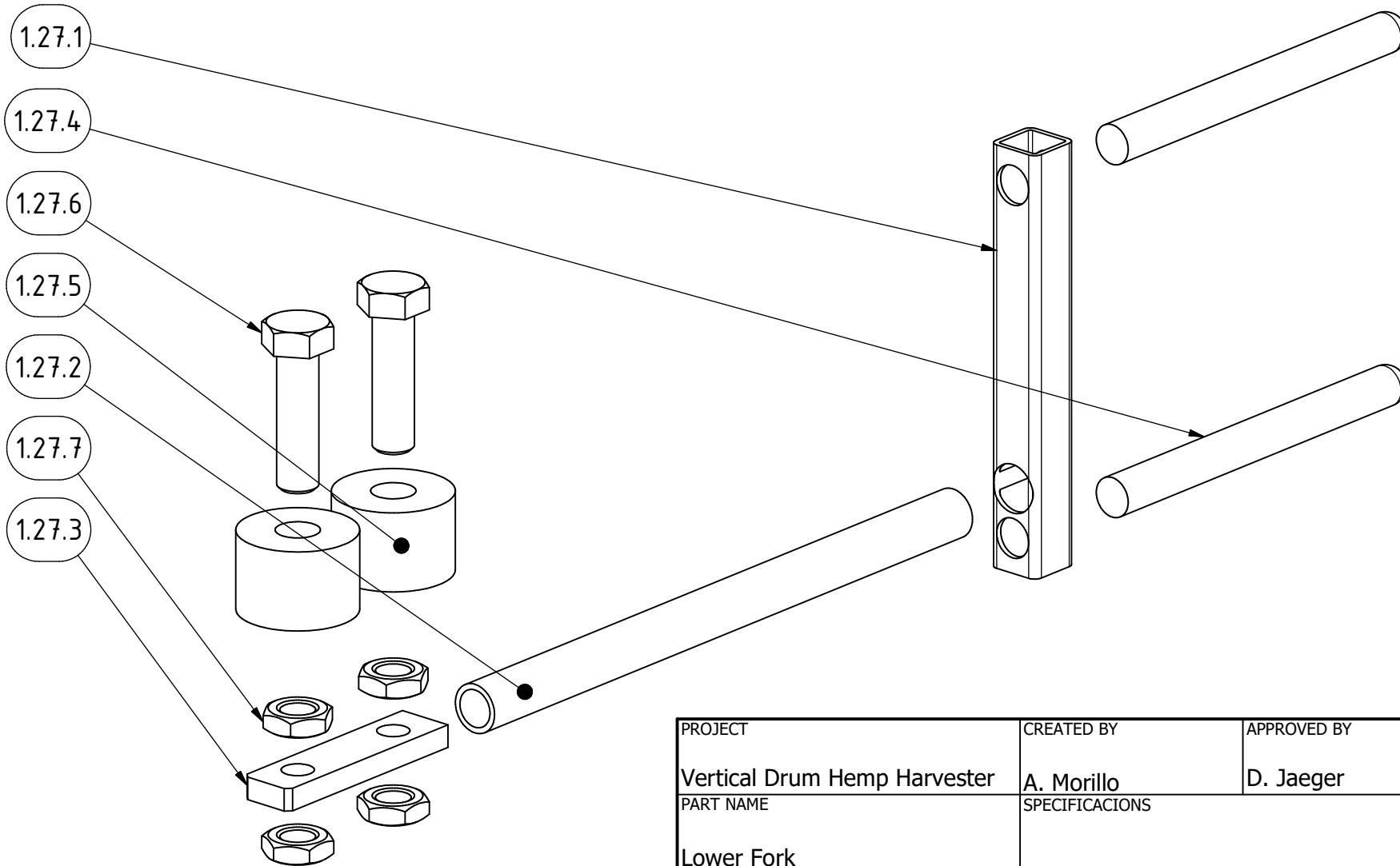
PROJECT	CREATED BY	APPROVED BY	DATE	VERSION	
Vertical Drum Hemp Harvester	A. Morillo	D. Jaeger	28-05-2024	0.07	
PART NAME	SPECIFICACIONES			CODE	
Pulley support	Steel 235J2			1.26.10	
DEVELOPED BY	REDESIGNED BY	FILENAME	QTY		
Hanfasser		1.26.7.ipt	12		
		LICENSE	DOC. TYPE	SCALE	SHEET
		CC-BY-SA 4.0	Part	1 : 1	97 /215

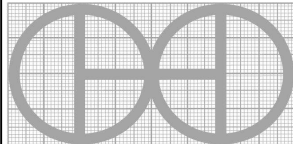


PROJECT	CREATED BY	APPROVED BY	DATE	VERSION
Vertical Drum Hemp Harvester	A. Morillo	D. Jaeger	28-05-2024	0.07
PART NAME	SPECIFICACIONES			CODE
Pulley hook	Flat bar 25*5 mm			1.26.12
DEVELOPED BY	REDESIGNED BY	FILENAME		QTY
		1.26.8.ipt		12
		LICENSE	DOC. TYPE	SCALE
Hanfasser		CC-BY-SA 4.0	Part	1 : 1
				98 /215

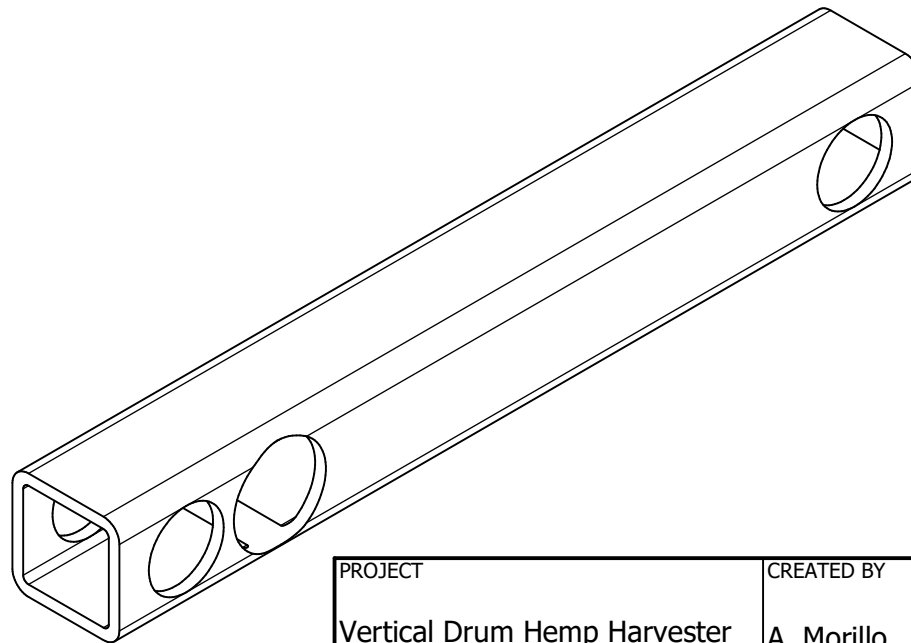
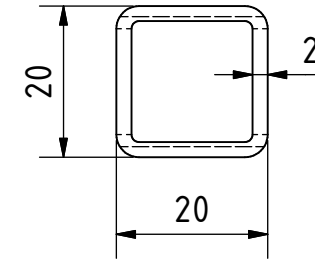
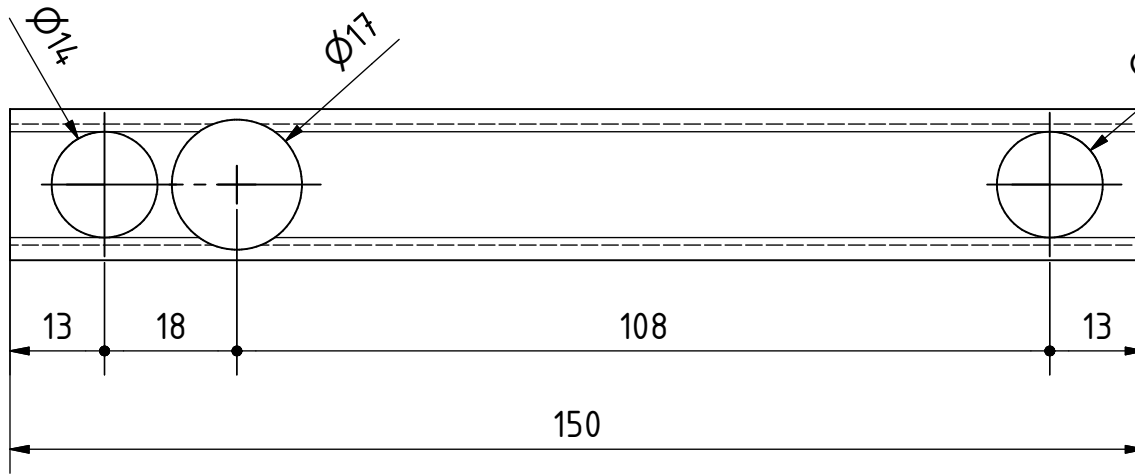


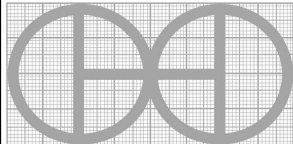
PROJECT	CREATED BY	APPROVED BY	DATE	VERSION
Vertical Drum Hemp Harvester	A. Morillo	D. Jaeger	28-05-2024	0.07
PART NAME	SPECIFICACIONES			CODE
Lower Fork				1.27.0
DEVELOPED BY	REDESIGNED BY	FILENAME	QTY	
		1.27.iam	12	
Hanfasser		LICENSE	DOC. TYPE	SHEET
		CC-BY-SA 4.0	Assembly	99 /215
		OHO e.V.	SCALE	
			1 : 4	

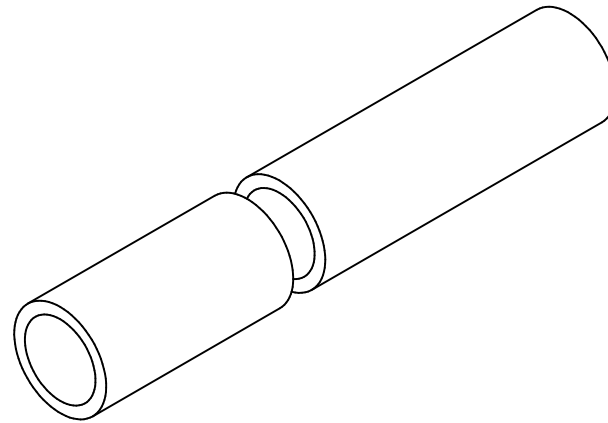
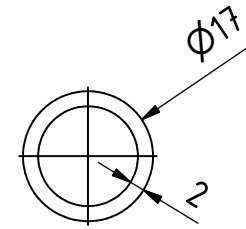
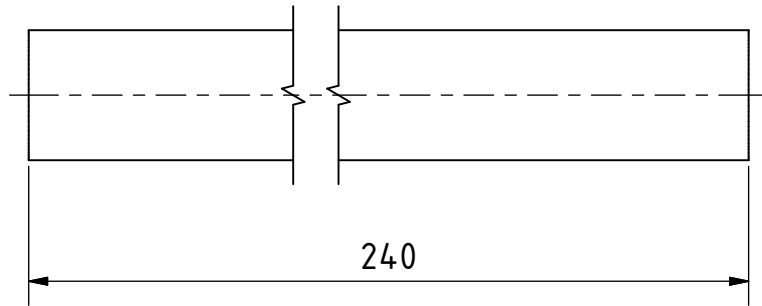


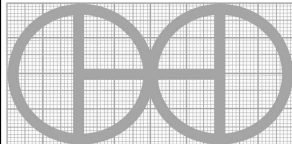
PROJECT	CREATED BY	APPROVED BY	DATE	VERSION
Vertical Drum Hemp Harvester	A. Morillo	D. Jaeger	28-05-2024	0.07
PART NAME	SPECIFICACIONES			CODE
Lower Fork				1.27.0
DEVELOPED BY	REDESIGNED BY	FILENAME		QTY
		1.27.ipn		12
		LICENSE	DOC. TYPE	SCALE
Hanfasser		CC-BY-SA 4.0	Assembly	1 : 2
				SHEET
				100 /215

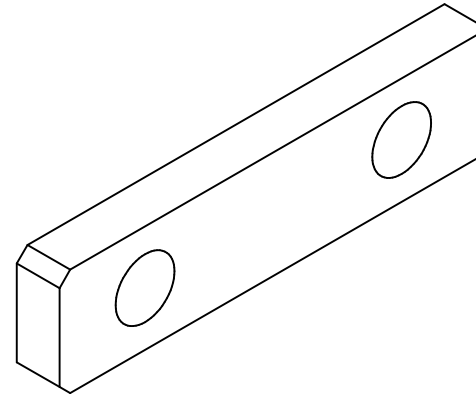
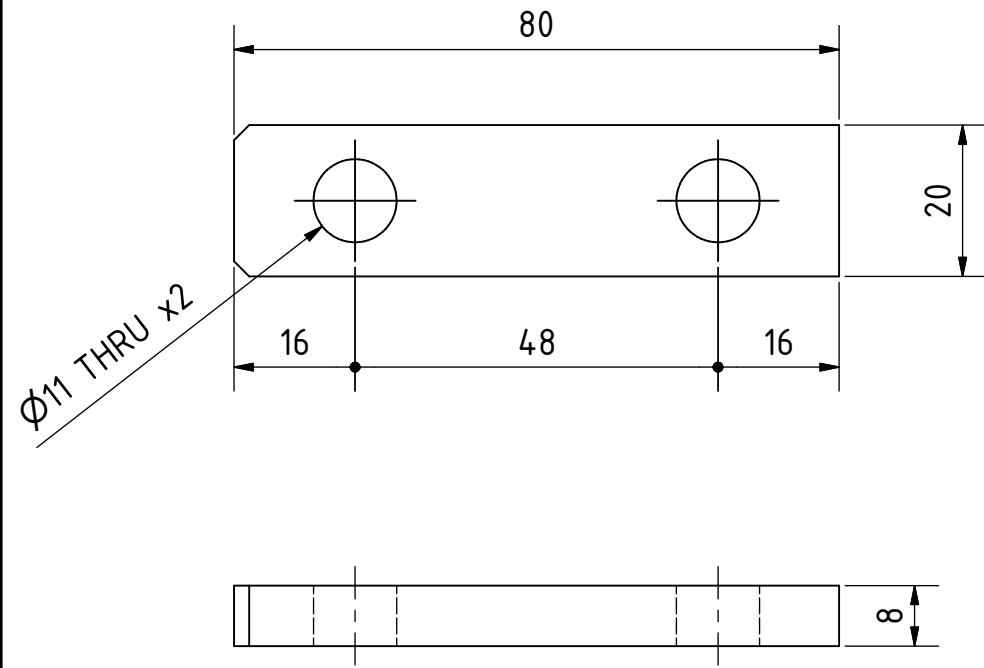
OHO e.V.

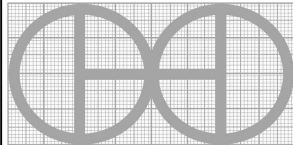


PROJECT	CREATED BY	APPROVED BY	DATE	VERSION
Vertical Drum Hemp Harvester	A. Morillo	D. Jaeger	28-05-2024	0.07
PART NAME	SPECIFICACIONES			CODE
Part 1.27.1	Square profile 20*2 mm			1.27.1
DEVELOPED BY	REDESIGNED BY	FILENAME		QTY
		1.27.2		1
		LICENSE	DOC. TYPE	SHEET
Hanfasser		CC-BY-SA 4.0	Part	101 /215
			SCALE	
			1 : 1	

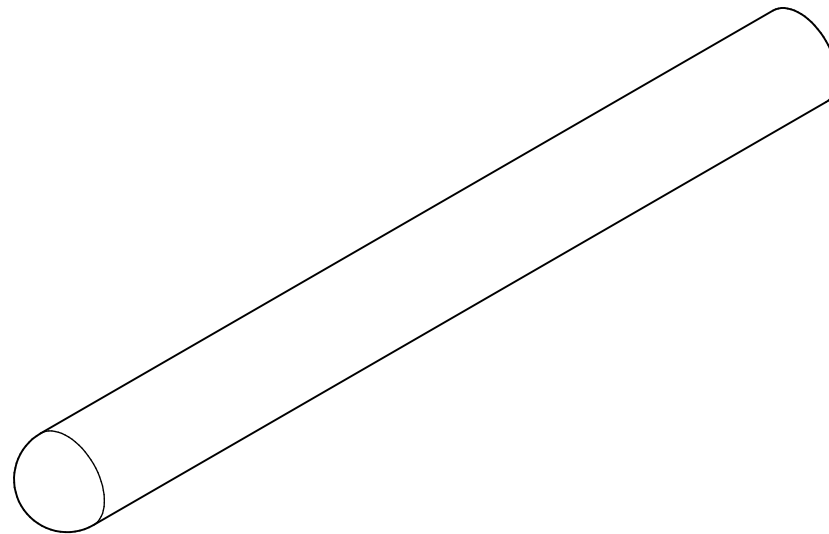
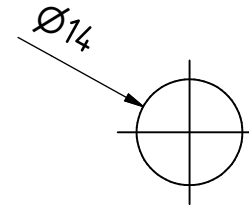
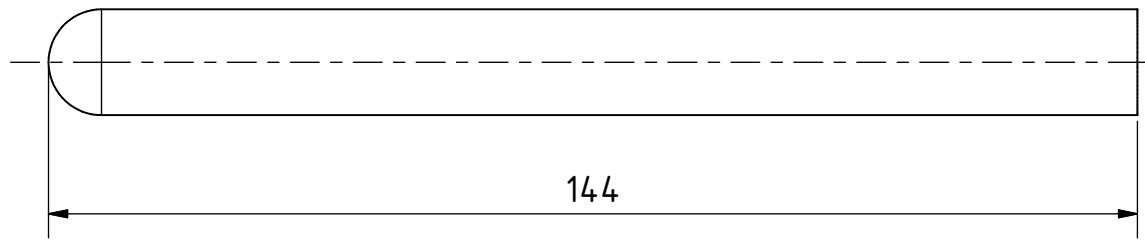


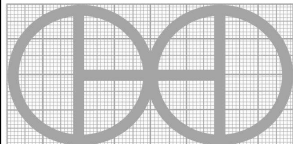
PROJECT		CREATED BY		APPROVED BY		DATE		VERSION	
Vertical Drum Hemp Harvester		A. Morillo		D. Jaeger		28-05-2024		0.07	
PART NAME		SPECIFICACIONES						CODE	
Part 1.27.2		Round tube D17*2 mm						1.27.2	
DEVELOPED BY		REDESIGNED BY		FILENAME				QTY	
Hanfasser				1.27.1				1	
				LICENSE		DOC. TYPE		SCALE	
				CC-BY-SA 4.0		Part		1 : 1	
								102 /215	

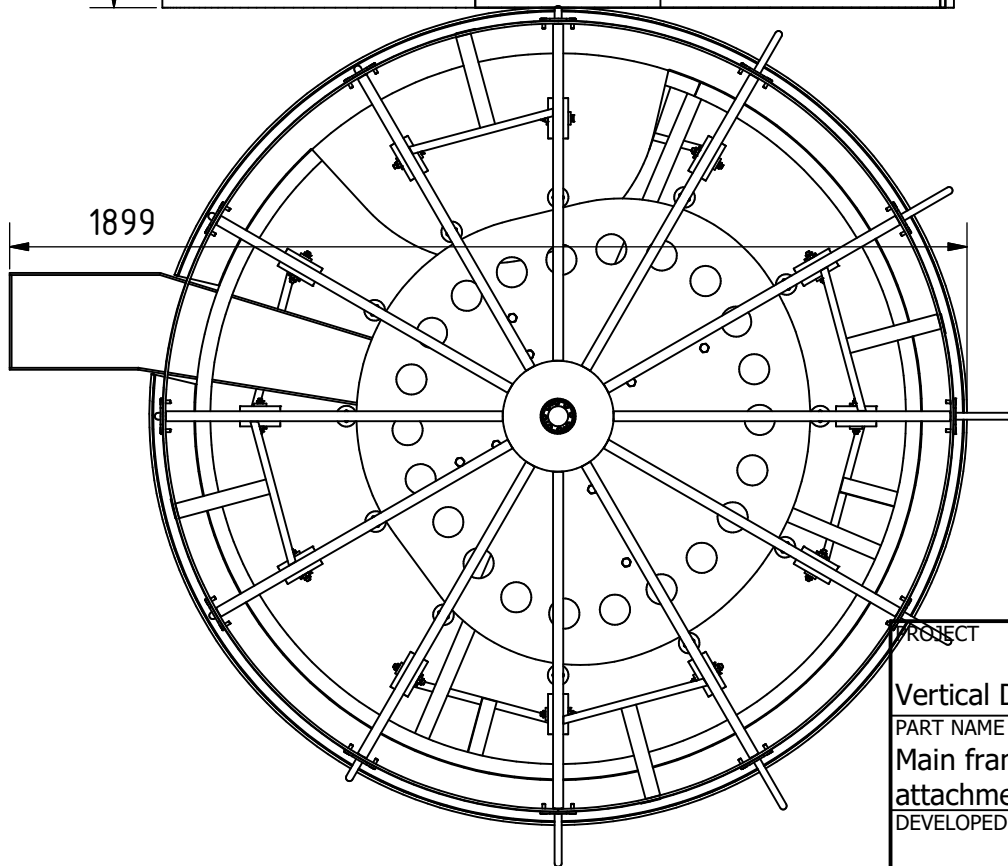
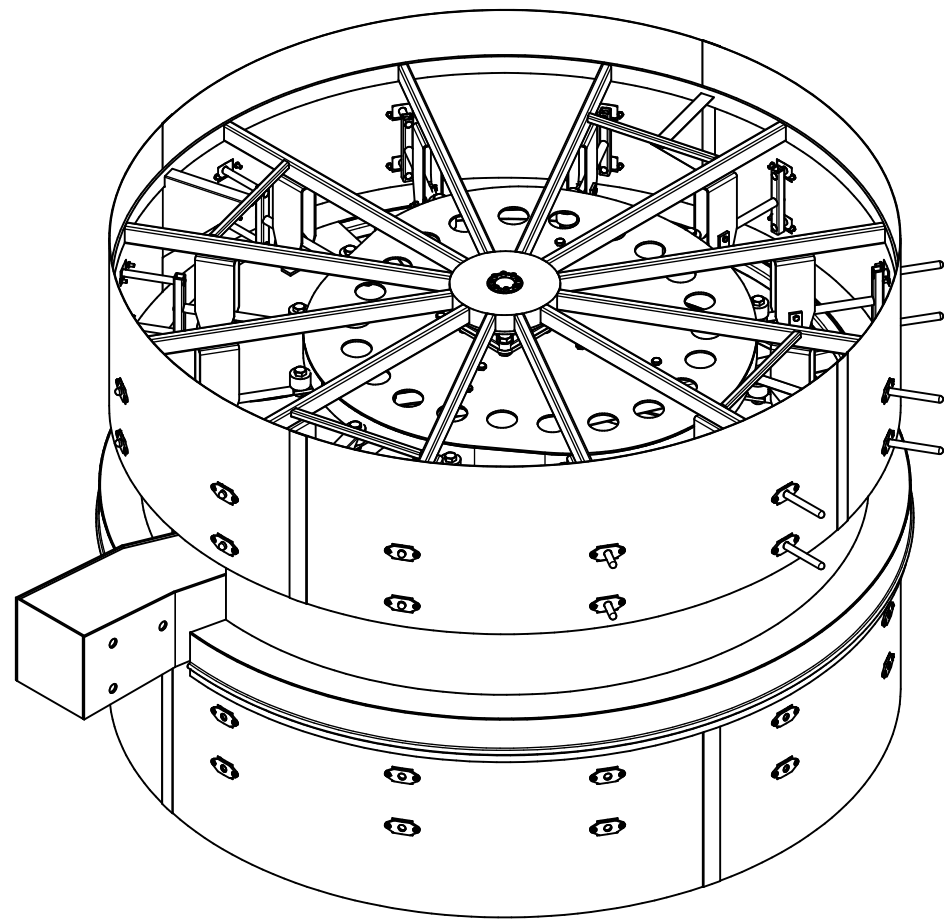
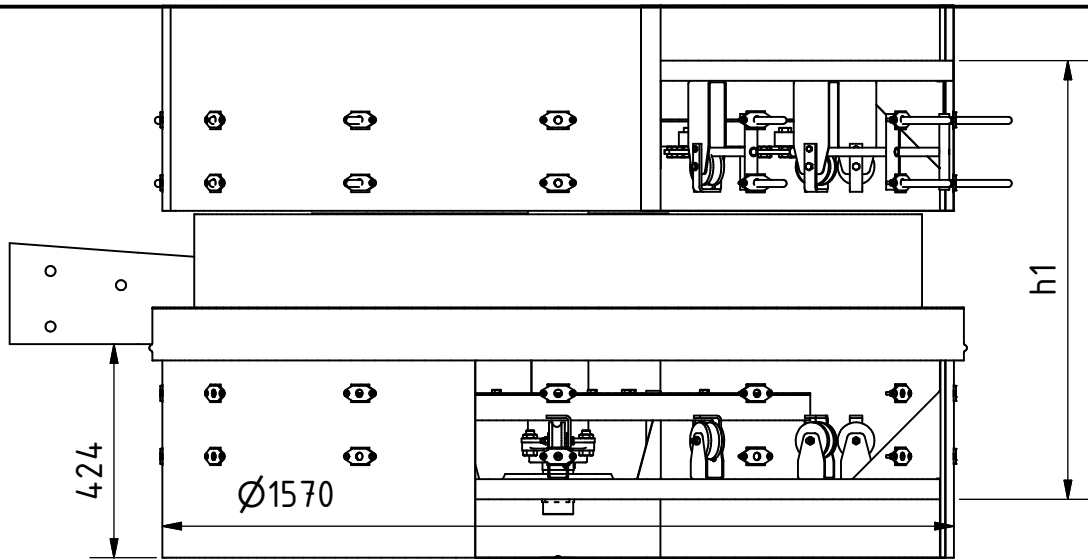


PROJECT	CREATED BY	APPROVED BY	DATE	VERSION
Vertical Drum Hemp Harvester	A. Morillo	D. Jaeger	28-05-2024	0.07
PART NAME	SPECIFICACIONES			CODE
Part 1.27.3	Steel 235J2			1.27.3
DEVELOPED BY	REDESIGNED BY	FILENAME		QTY
		1.27.4		1
Hanfasser		LICENSE	DOC. TYPE	SHEET
		CC-BY-SA 4.0	Part	103 /215
			SCALE	
			1 : 1	

OHO e.V.

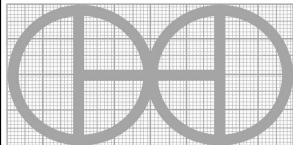


PROJECT		CREATED BY		APPROVED BY		DATE		VERSION	
Vertical Drum Hemp Harvester		A. Morillo		D. Jaeger		28-05-2024		0.07	
PART NAME		SPECIFICACIONES						CODE	
Part 1.27.4		Round bar D 14mm						1.27.4	
DEVELOPED BY		REDESIGNED BY		FILENAME				QTY	
Hanfasser				1.27.3				2	
				LICENSE		DOC. TYPE		SCALE	
				CC-BY-SA 4.0		Part		1 : 1	
								104 /215	



Size table	
Pos	h1
2_A (right)	870 mm
2_B (left)	880 mm

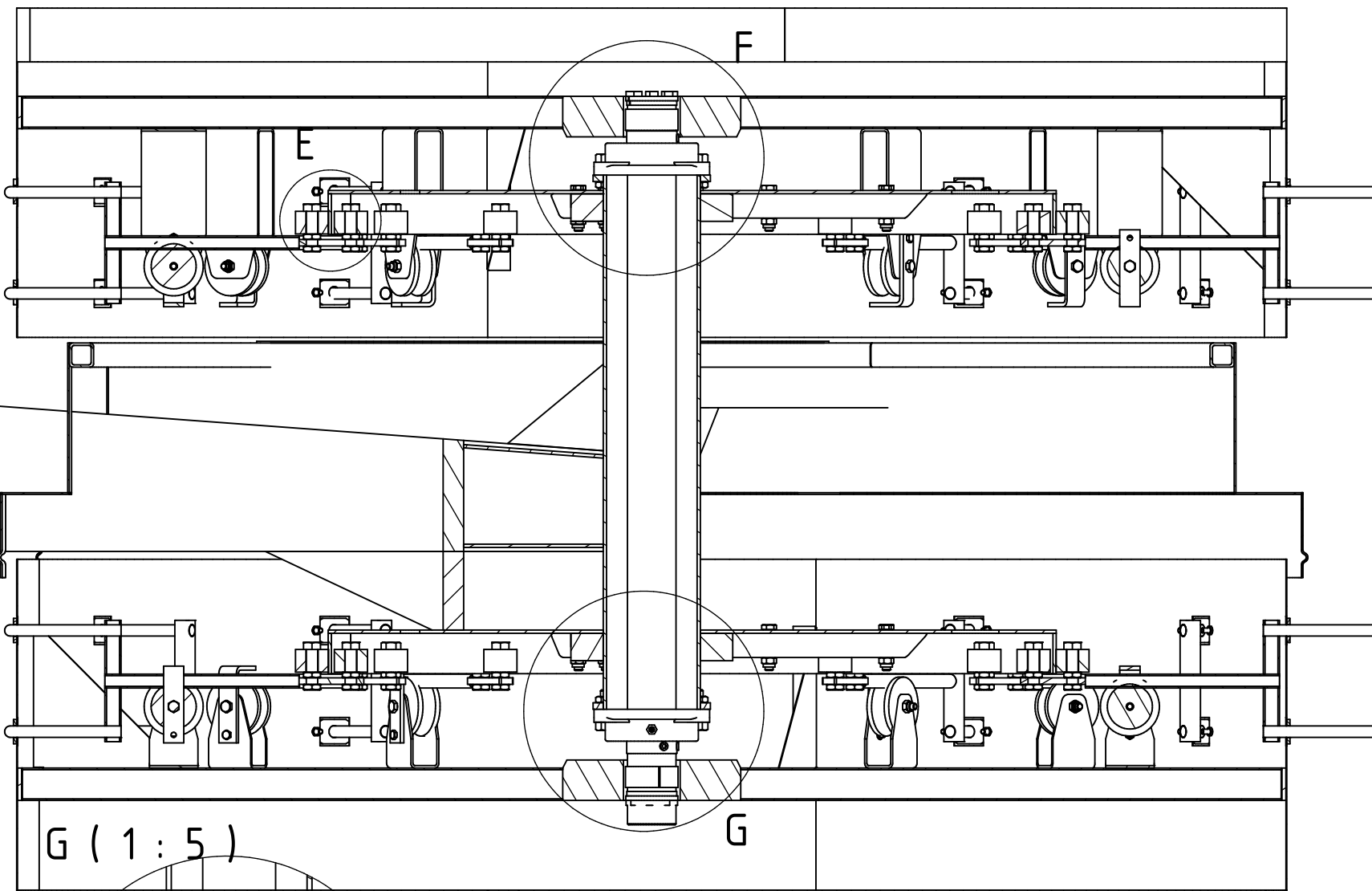
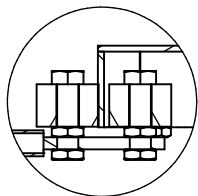
PROJECT	CREATED BY	APPROVED BY	DATE	VERSION
Vertical Drum Hemp Harvester	A. Morillo	D. Jaeger	28-05-2024	0.07
PART NAME	SPECIFICACIONES			CODE
Main frame top cpl with attachments				2.0.0
DEVELOPED BY	REDESIGNED BY	FILENAME	QTY	
		2.iam	2	
		LICENSE	DOC. TYPE	SCALE SHEET
		CC-BY-SA 4.0	Assembly	1 : 15 105 /215



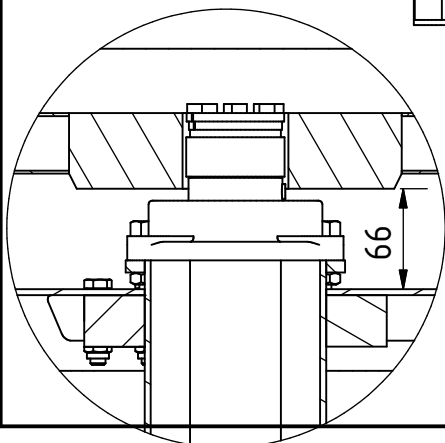
OHO e.V.

Hanfasser

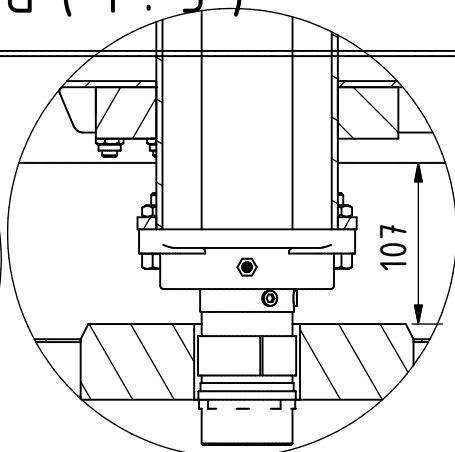
E (1 : 5)



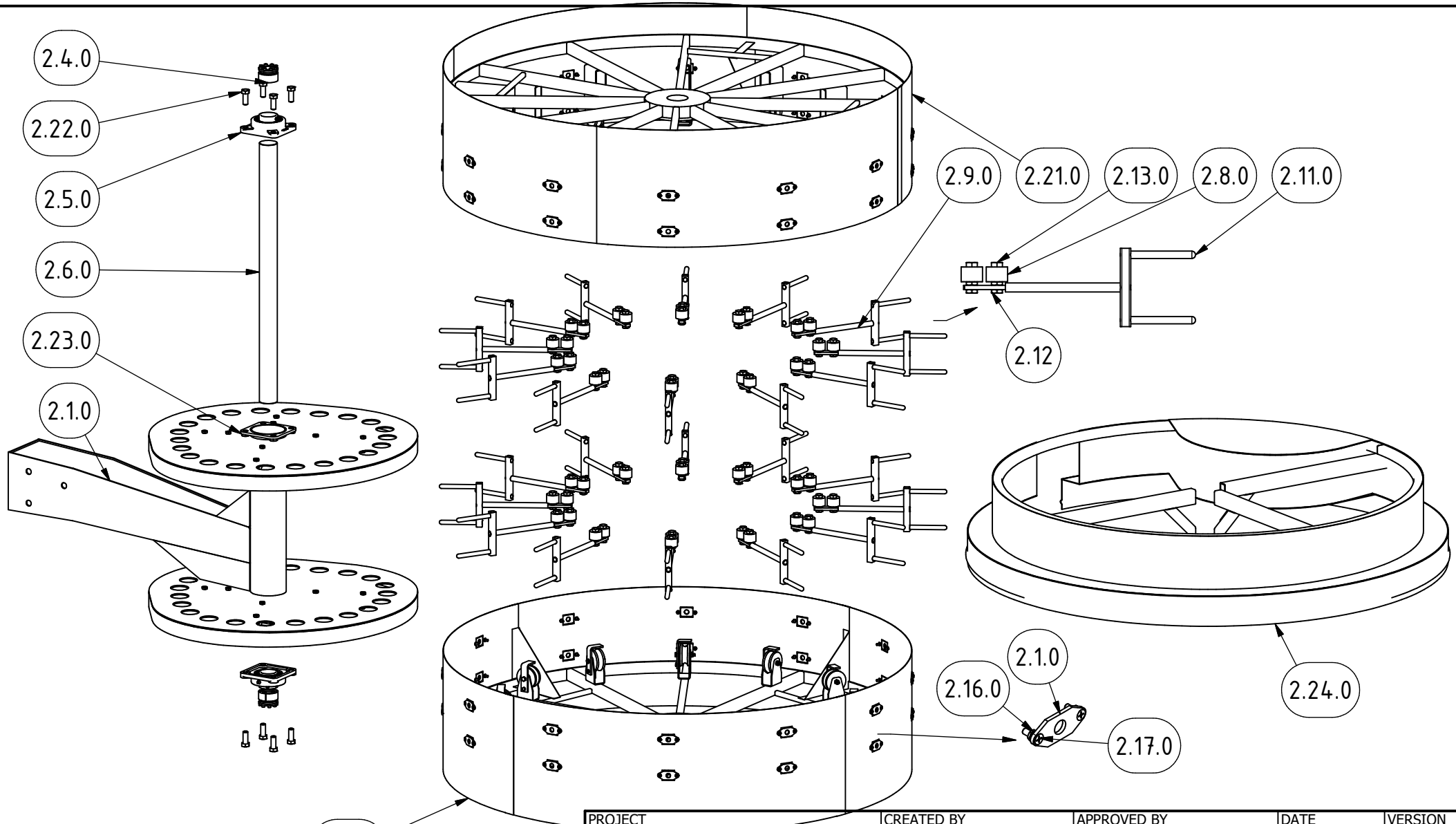
F (1 : 5)

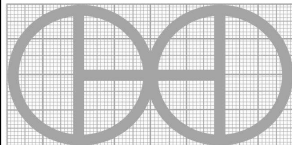


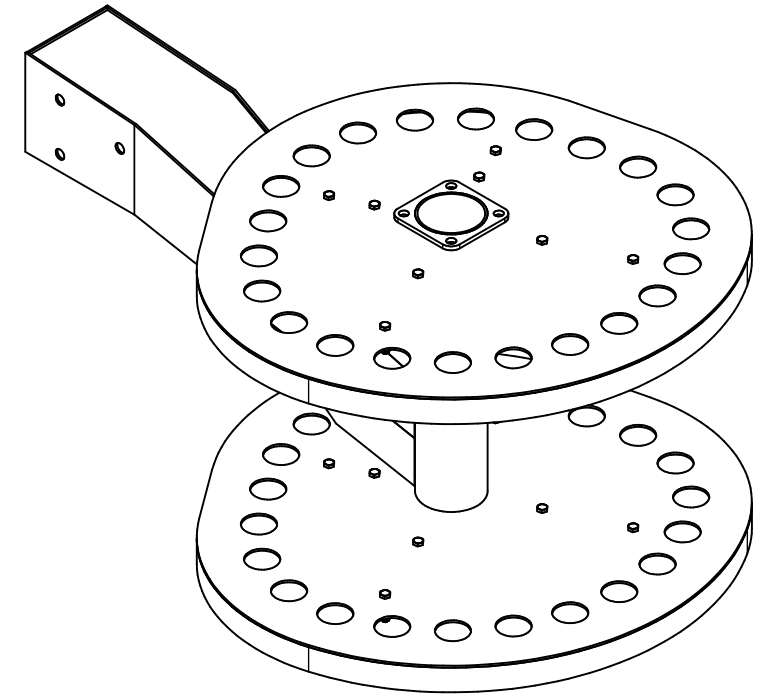
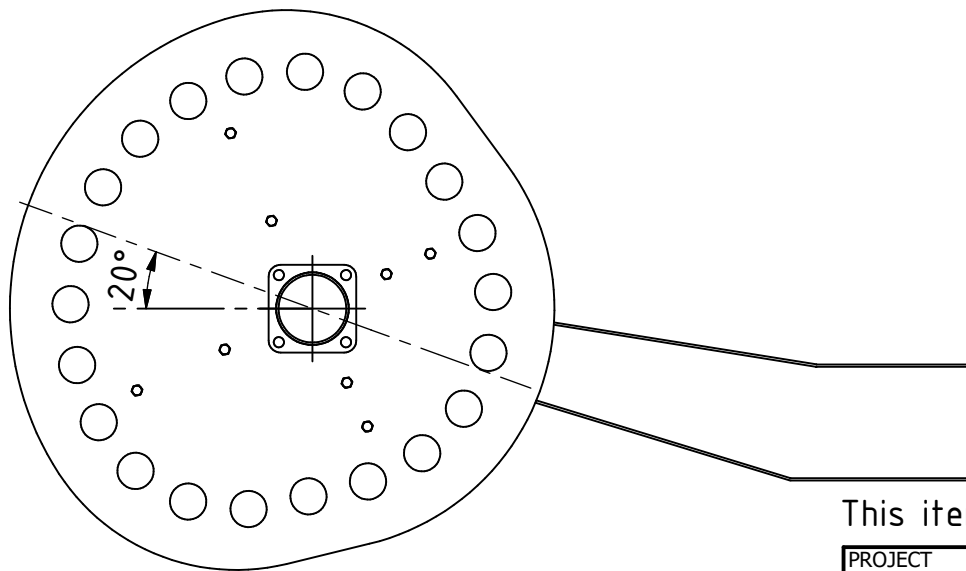
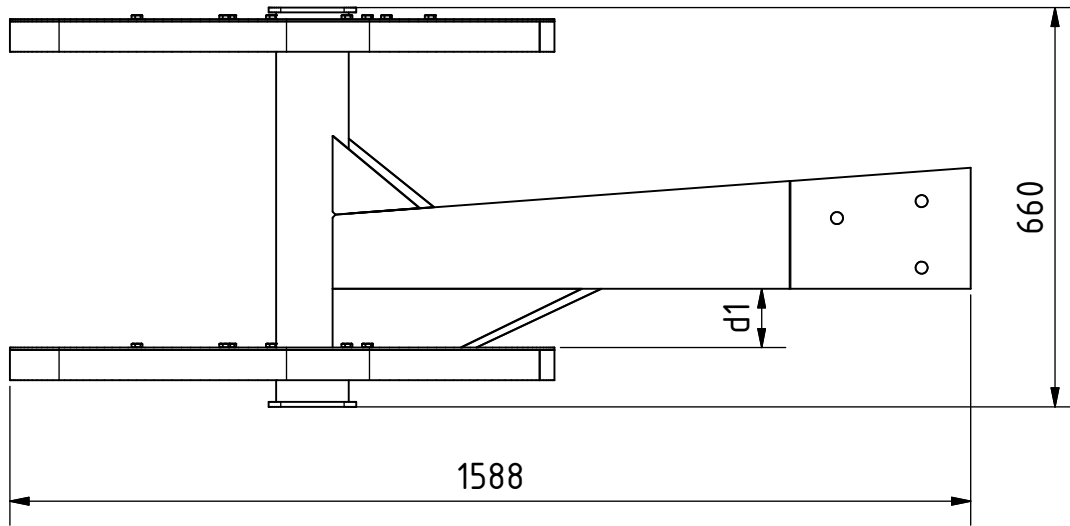
G (1 : 5)



PROJECT		CREATED BY	APPROVED BY	DATE	VERSION
Vertical Drum Hemp Harvester		A. Morillo	D. Jaeger	28-05-2024	0.07
PART NAME		SPECIFICACIONES			CODE
Main frame top cpl with attachments					2.0.0
DEVELOPED BY		REDESIGNED BY	FILENAME		QTY
Hanfasser			2.iam		2
			LICENSE	DOC. TYPE	SHEET
			CC-BY-SA 4.0	Assembly	106 /215
				SCALE	
				2 : 15	

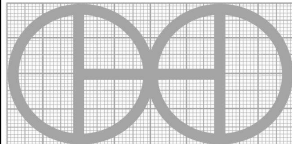


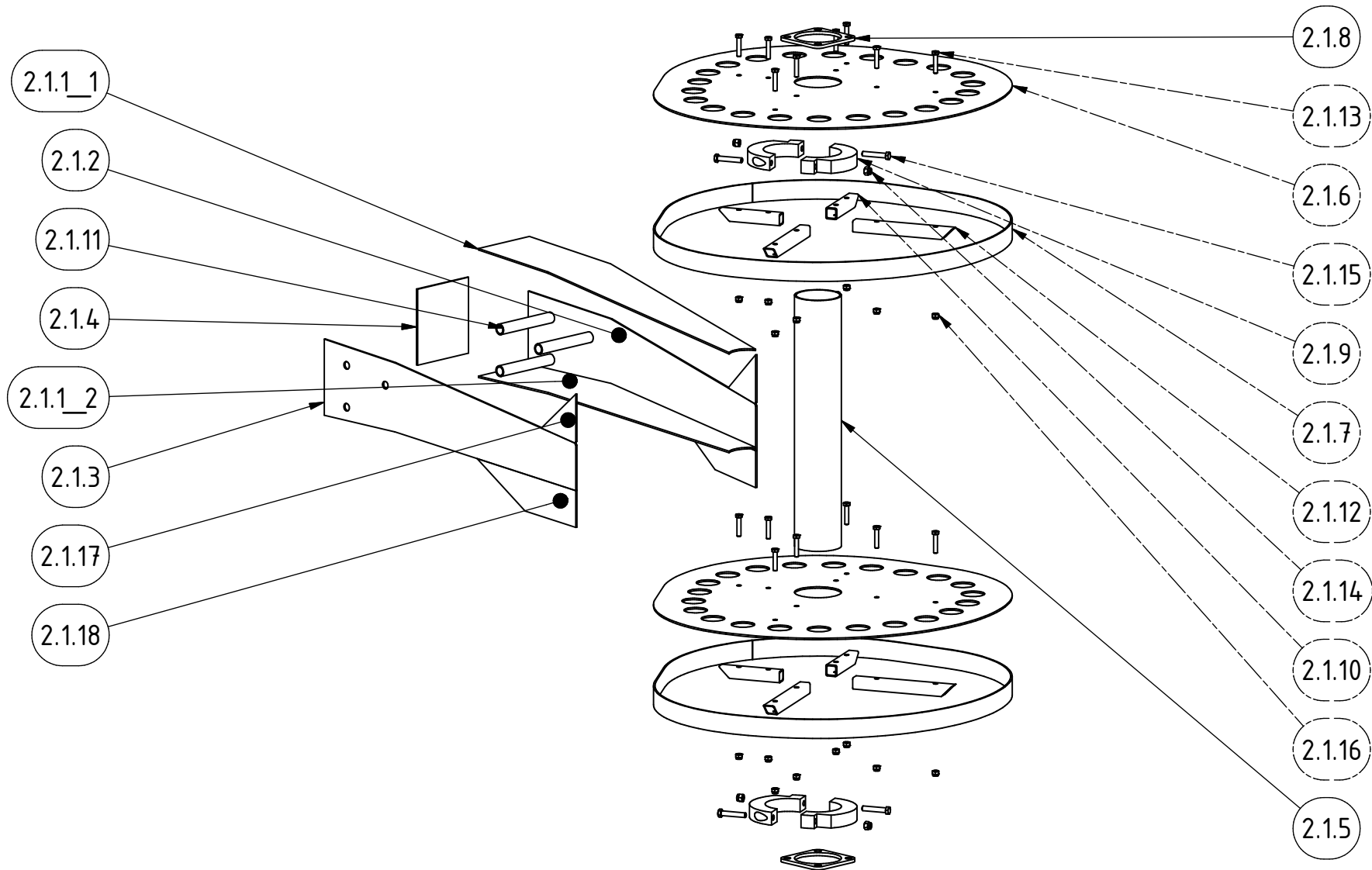
PROJECT		CREATED BY		APPROVED BY		DATE		VERSION	
Vertical Drum Hemp Harvester		A. Morillo		D. Jaeger		28-05-2024		0.07	
PART NAME		SPECIFICACIONES						CODE	
Main frame top cpl with attachments								2.0.0	
DEVELOPED BY		REDESIGNED BY		FILENAME				QTY	
Hanfasser				2.ipn				2	
				LICENSE		DOC. TYPE		SCALE	
				CC-BY-SA 4.0		Assembly		2 : 35	
								SHEET	
								107 /215	



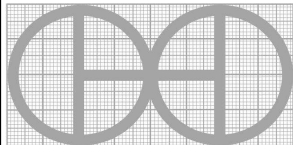
Size table	
Pos	d1
2.1_A (right)	97 mm
2.1_B (left)	137 mm

This item was adjusted to avoid interference problems

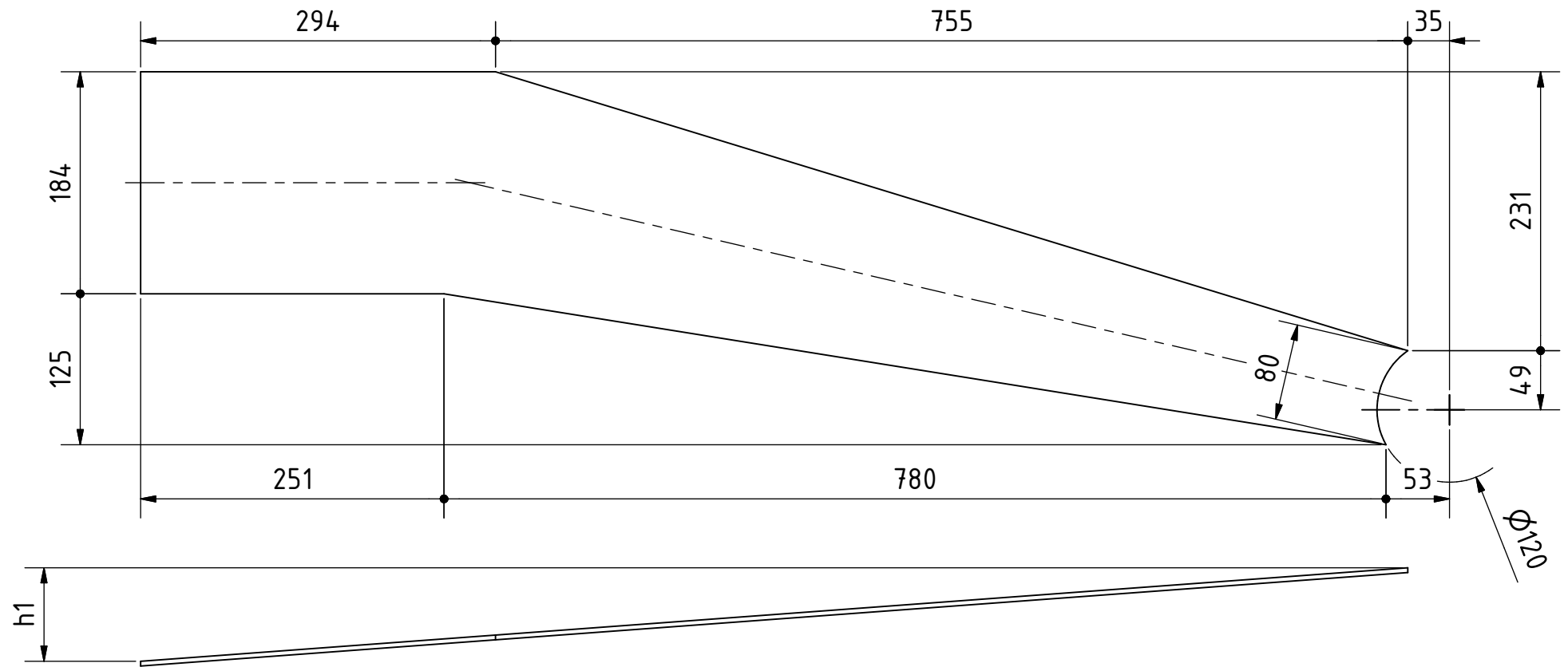
PROJECT	CREATED BY	APPROVED BY	DATE	VERSION
Vertical Drum Hemp Harvester	A. Morillo	D. Jaeger	28-05-2024	0.07
PART NAME	SPECIFICACIONES			CODE
Main frame top				2.1.0
DEVELOPED BY	REDESIGNED BY	FILENAME	QTY	
		2.1.iam	1	
Hanfasser		LICENSE	DOC. TYPE	SHEET
		CC-BY-SA 4.0	Assembly	108 /215
		OHO e.V.	SCALE	
			2 : 25	



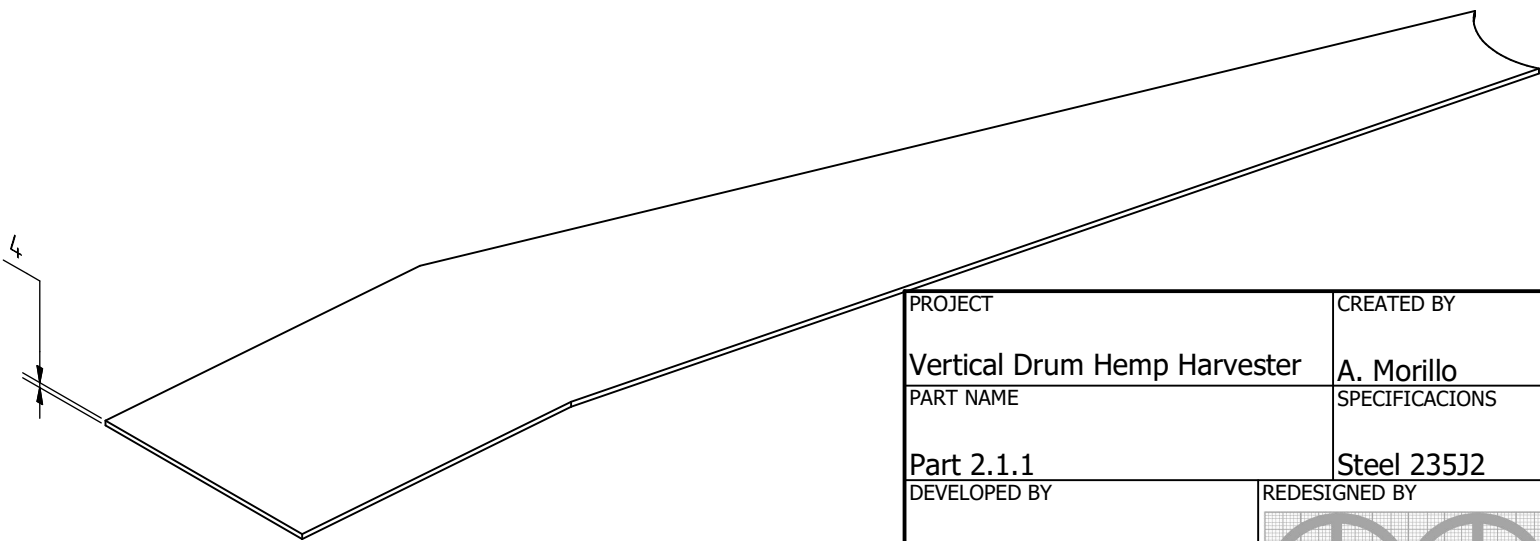
PROJECT	CREATED BY	APPROVED BY	DATE	VERSION
Vertical Drum Hemp Harvester	A. Morillo	D. Jaeger	28-05-2024	0.07
PART NAME	SPECIFICACIONES			CODE
Main frame top				2.1.0
DEVELOPED BY	REDESIGNED BY	FILENAME		QTY
		2.1.ipn		1
		LICENSE	DOC. TYPE	SHEET
		CC-BY-SA 4.0	Assembly	109 /215

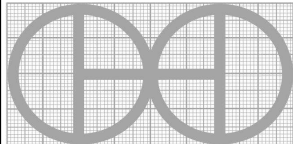


OHO e.V.

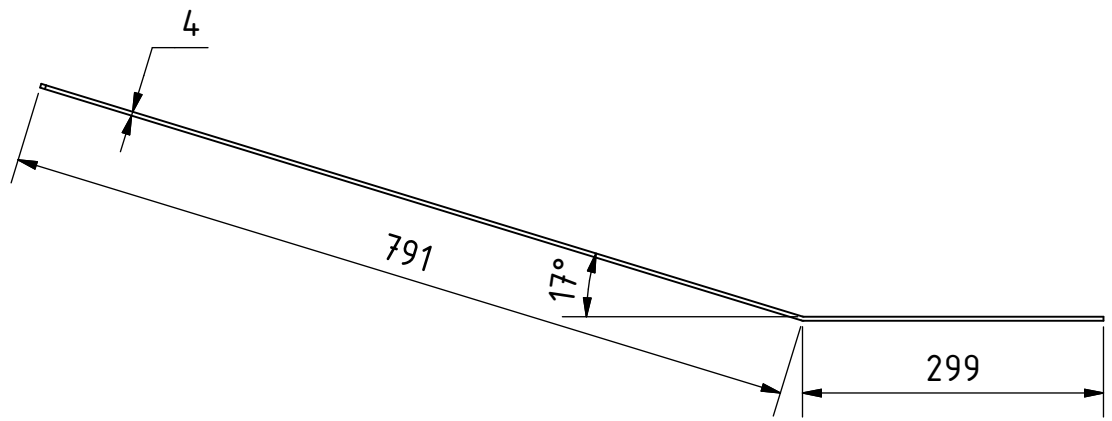
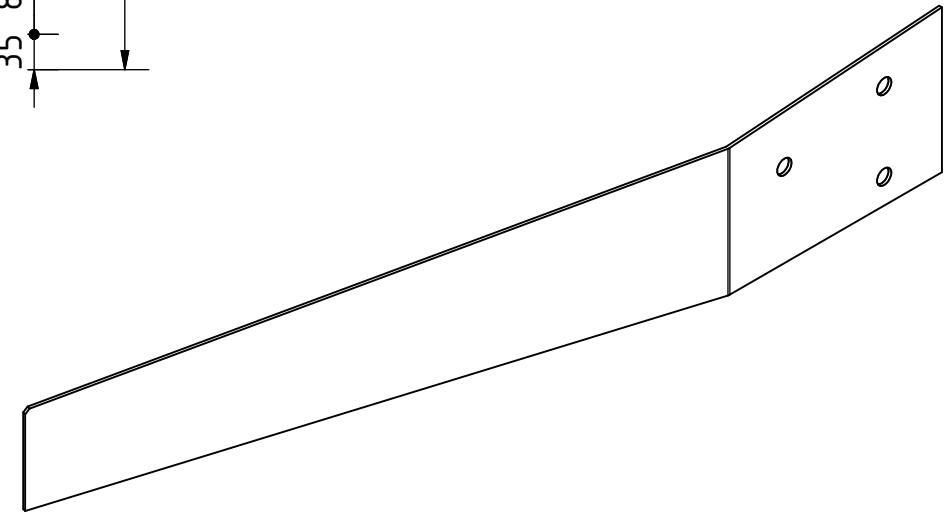
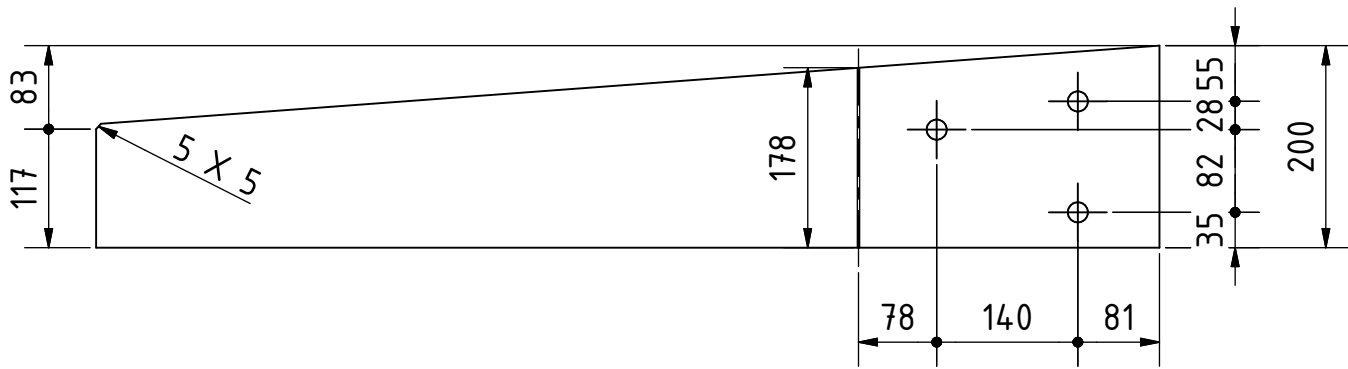


Size table	
Pos	h1
2.1.1_1	80 mm
2.1.1_2	0 mm

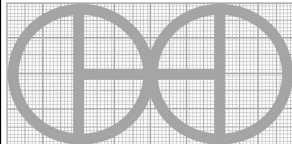


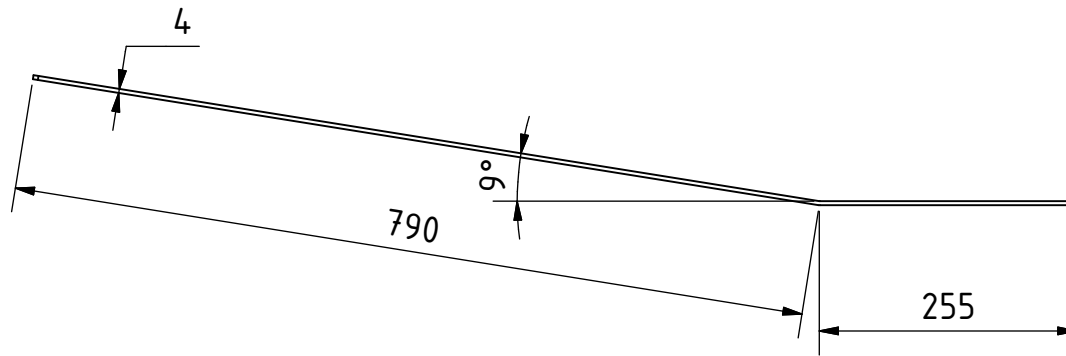
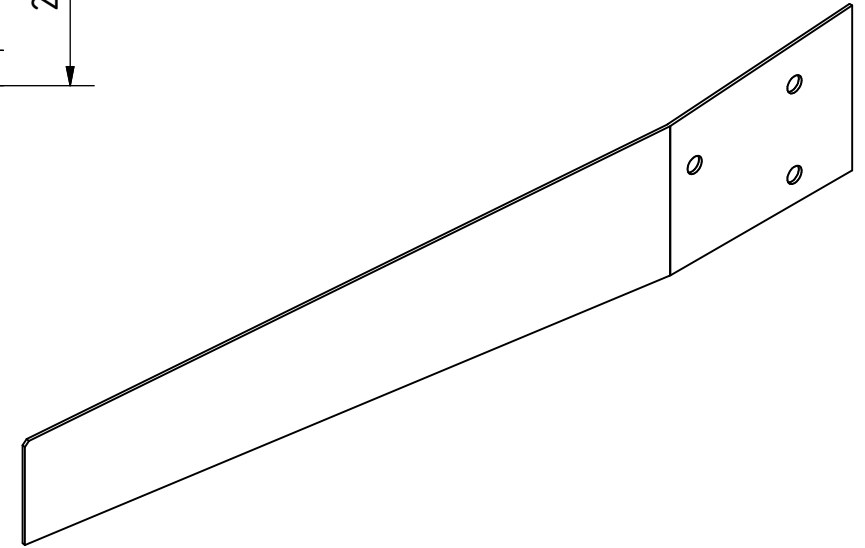
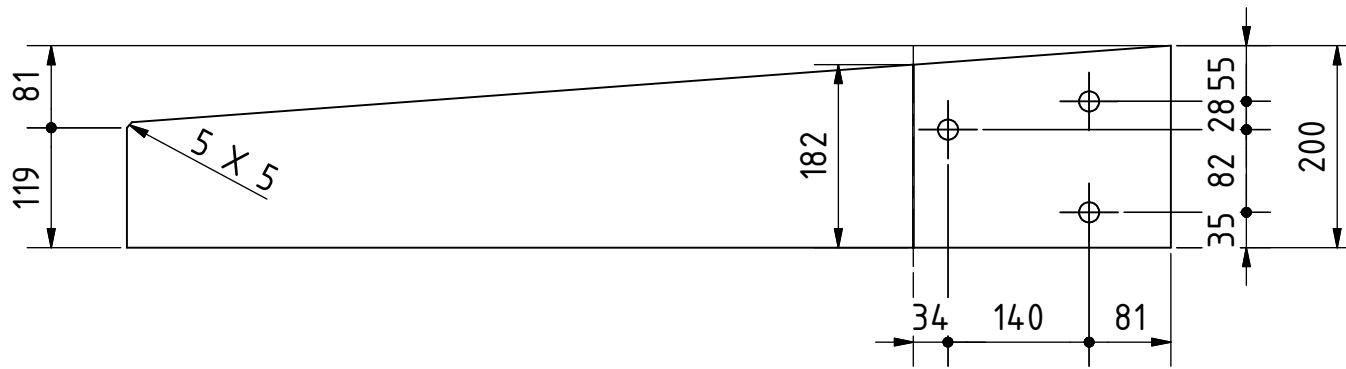
PROJECT	CREATED BY	APPROVED BY	DATE	VERSION	
Vertical Drum Hemp Harvester	A. Morillo	D. Jaeger	28-05-2024	0.07	
PART NAME	SPECIFICACIONES			CODE	
Part 2.1.1	Steel 235J2			2.1.1	
DEVELOPED BY	REDESIGNED BY	FILENAME		QTY	
		2.1.1.ipt		2	
Hanfasser		LICENSE	DOC. TYPE	SCALE	SHEET
		CC-BY-SA 4.0	Part	1 : 5	110 /215

OHO e.V.

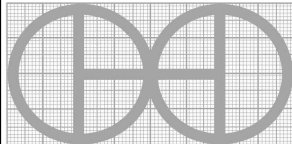


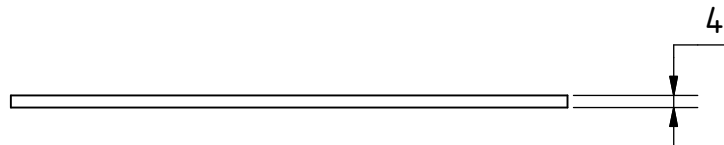
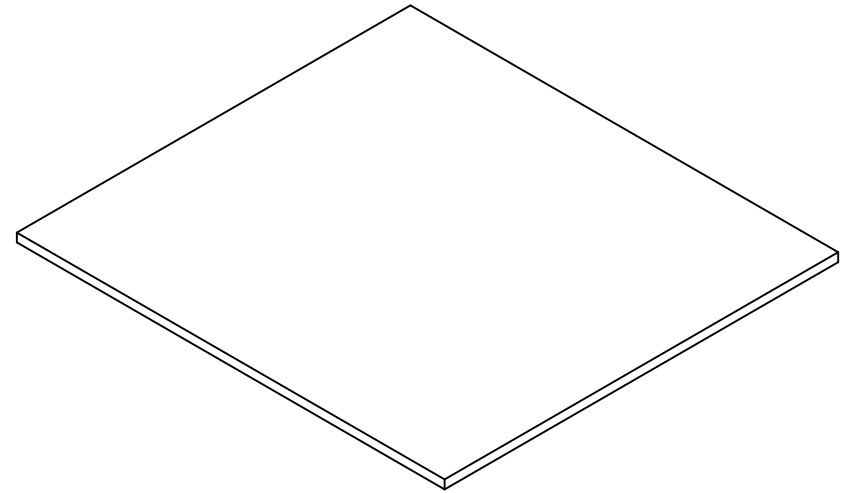
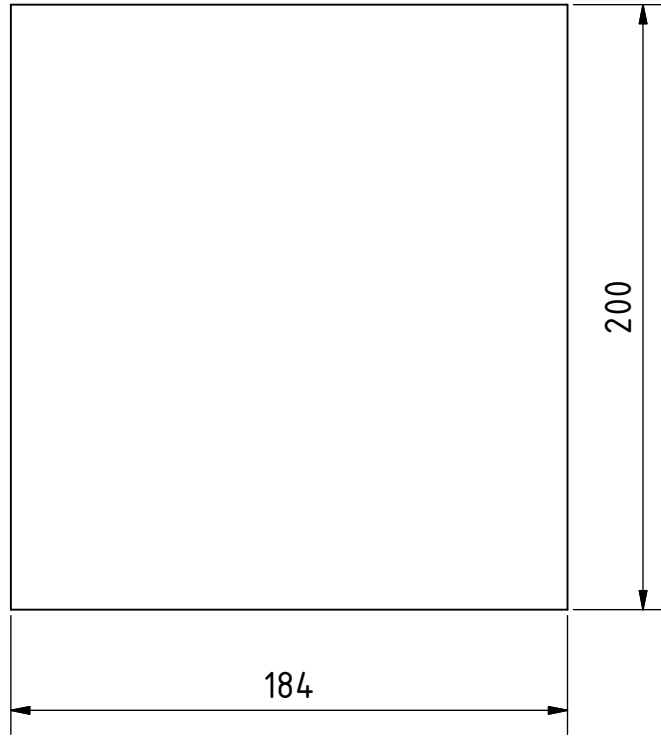
Symmetrical item

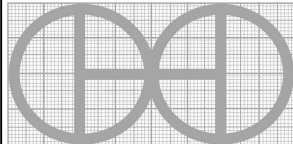
PROJECT	CREATED BY	APPROVED BY	DATE	VERSION	
Vertical Drum Hemp Harvester	A. Morillo	D. Jaeger	28-05-2024	0.07	
PART NAME	SPECIFICACIONES			CODE	
Part 2.1.2	Steel 235J2			2.1.2	
DEVELOPED BY	REDESIGNED BY	FILENAME		QTY	
Hanfasser		2.1.2.ipt		1	
		LICENSE	DOC. TYPE	SCALE	SHEET
		CC-BY-SA 4.0	Part	2 : 15	111 /215



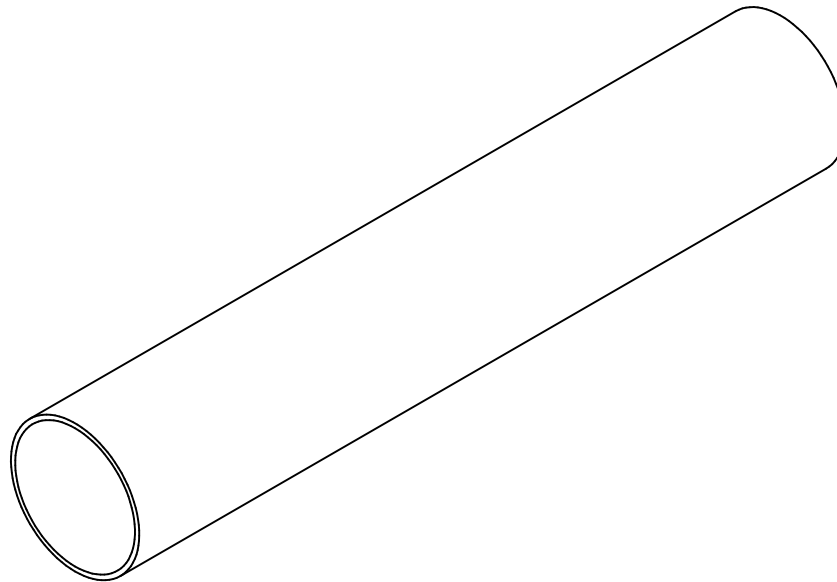
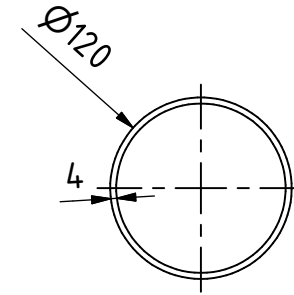
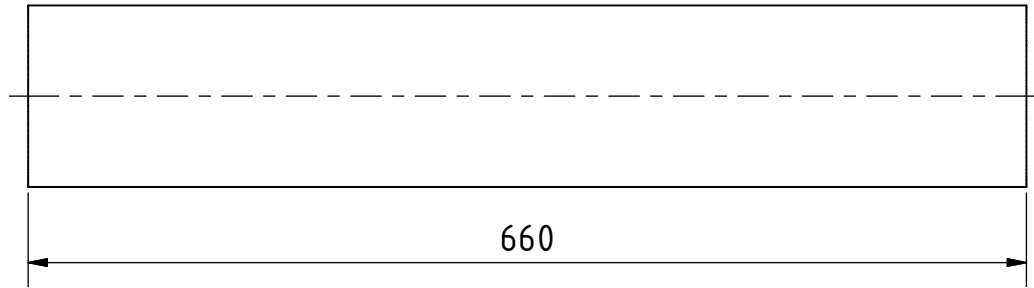
Symmetrical item

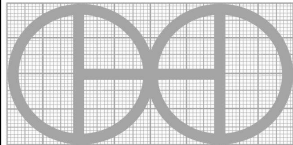
PROJECT	CREATED BY	APPROVED BY	DATE	VERSION	
Vertical Drum Hemp Harvester	A. Morillo	D. Jaeger	28-05-2024	0.07	
PART NAME	SPECIFICACIONES			CODE	
Part 2.1.3	Steel 235J2			2.1.3	
DEVELOPED BY	REDESIGNED BY	FILENAME		QTY	
Hanfasser		2.1.3.ipt		1	
		LICENSE	DOC. TYPE	SCALE	SHEET
		CC-BY-SA 4.0	Part	2 : 15	112 /215

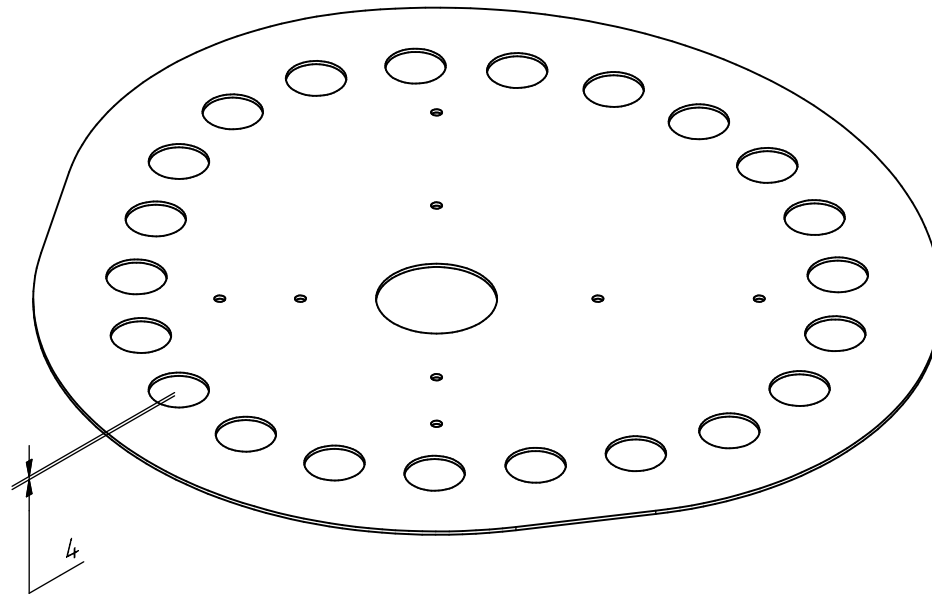
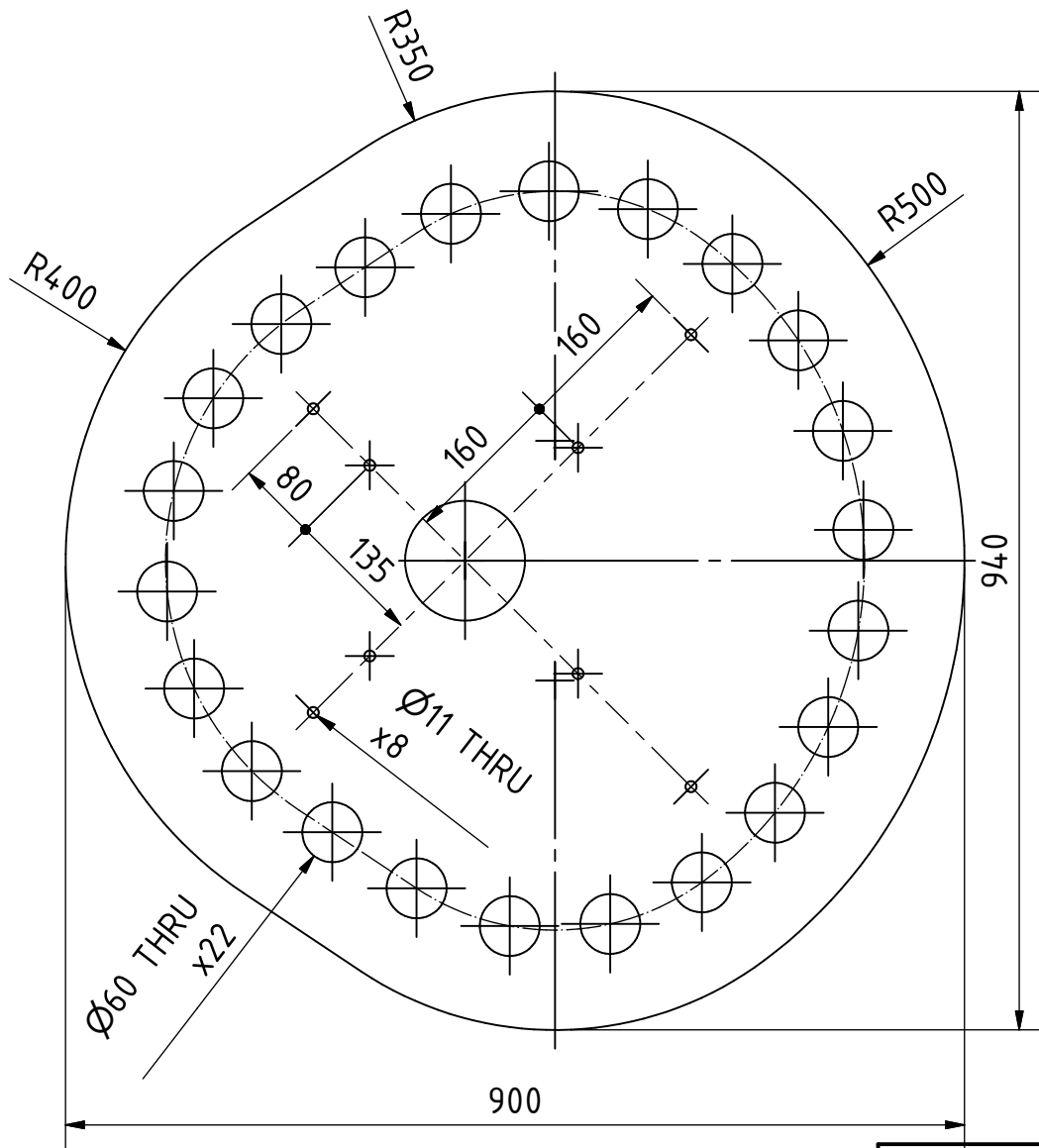


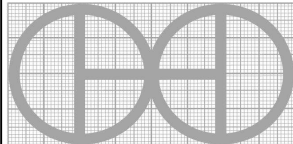
PROJECT	CREATED BY	APPROVED BY	DATE	VERSION	
Vertical Drum Hemp Harvester	A. Morillo	D. Jaeger	28-05-2024	0.07	
PART NAME	SPECIFICACIONES			CODE	
Part 2.1.4	Steel 235J2			2.1.4	
DEVELOPED BY	REDESIGNED BY	FILENAME		QTY	
Hanfasser		2.1.4.ipt		1	
		LICENSE	DOC. TYPE	SCALE	SHEET
		CC-BY-SA 4.0	Part	2 : 5	113 /215

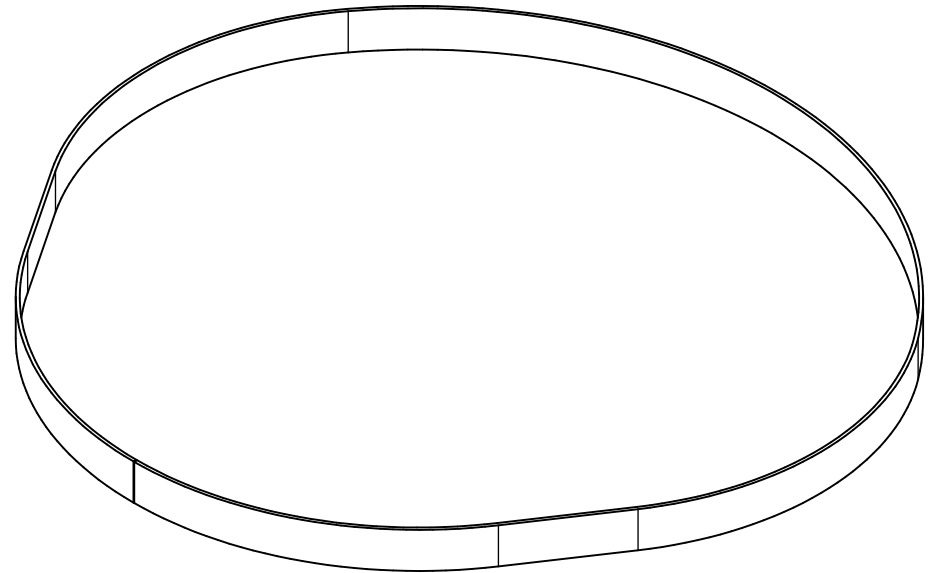
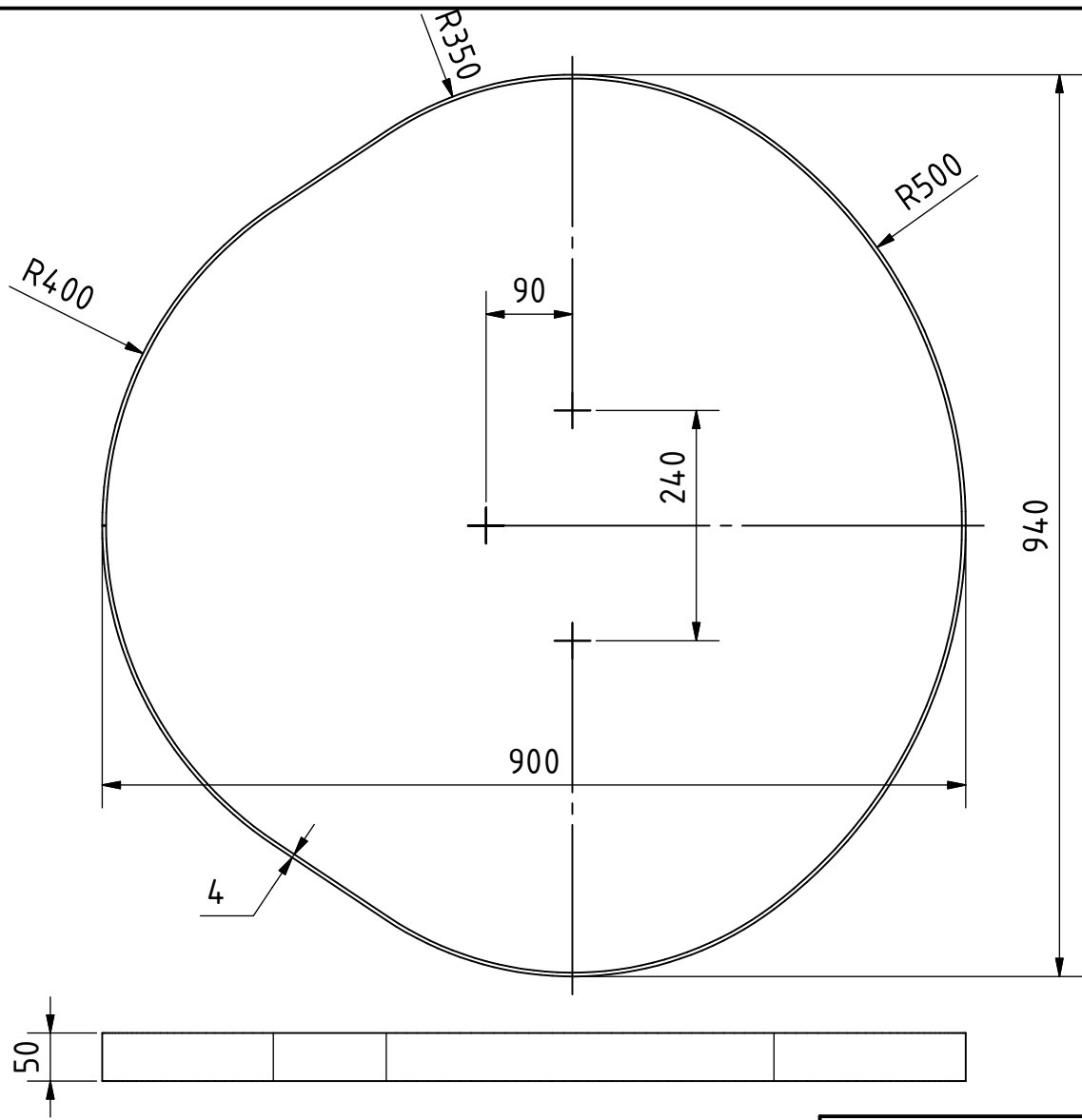
OHO e.V.

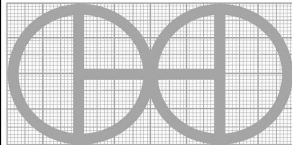


PROJECT	CREATED BY	APPROVED BY	DATE	VERSION
Vertical Drum Hemp Harvester	A. Morillo	D. Jaeger	28-05-2024	0.07
PART NAME	SPECIFICACIONES			CODE
Part 2.1.5	Round tube D120*4 mm			2.1.5
DEVELOPED BY	REDESIGNED BY	FILENAME		QTY
Hanfasser		2.1.5.ipt		1
		LICENSE	DOC. TYPE	SCALE
		CC-BY-SA 4.0	Part	1 : 5
				114 /215

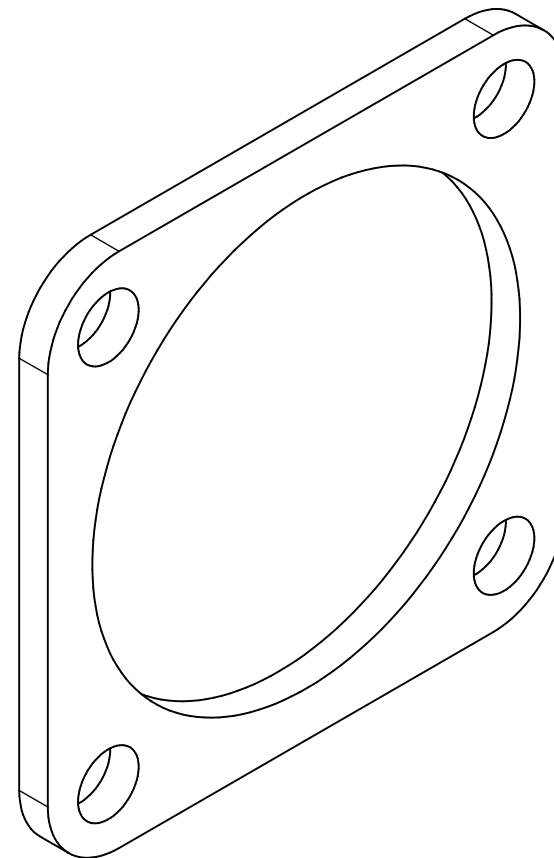
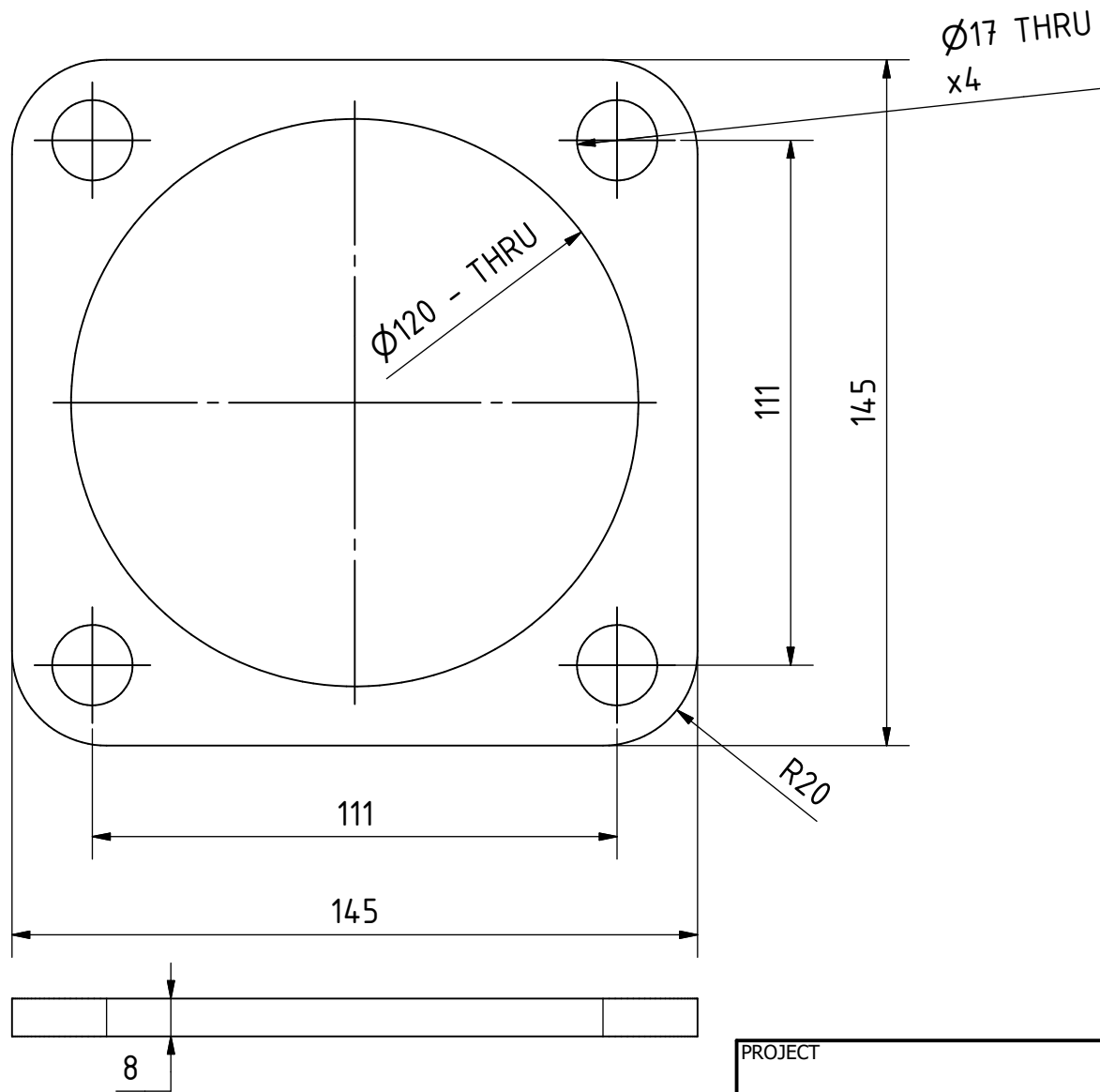


PROJECT		CREATED BY		APPROVED BY		DATE		VERSION		
Vertical Drum Hemp Harvester		A. Morillo		D. Jaeger		28-05-2024		0.07		
PART NAME		SPECIFICACIONES								CODE
Part 2.1.6		Steel 235J2								2.1.6
DEVELOPED BY		REDESIGNED BY		FILENAME				QTY		
Hanfasser				2.1.6.ipt				2		
		OHO e.V.		LICENSE		DOC. TYPE		SCALE		SHEET
				CC-BY-SA 4.0		Part		2 : 15		115 /215

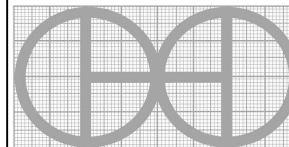


PROJECT	CREATED BY	APPROVED BY	DATE	VERSION
Vertical Drum Hemp Harvester	A. Morillo	D. Jaeger	28-05-2024	0.07
PART NAME	SPECIFICACIONES			CODE
Part 2.1.7	Flat bar 50*4 mm			2.1.7
DEVELOPED BY	REDESIGNED BY	FILENAME		QTY
		2.1.7.ipt		2
		LICENSE	DOC. TYPE	SHEET
Hanfasser		CC-BY-SA 4.0	Part	116 /215
		SCALE		
		2 : 15		

OHO e.V.

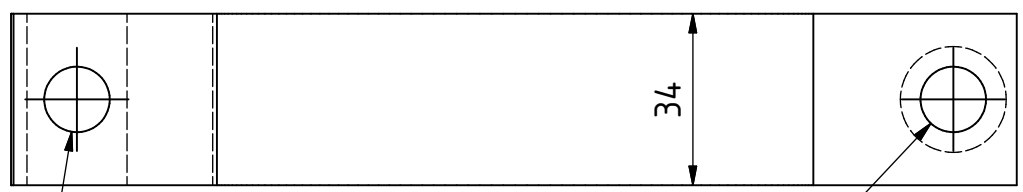
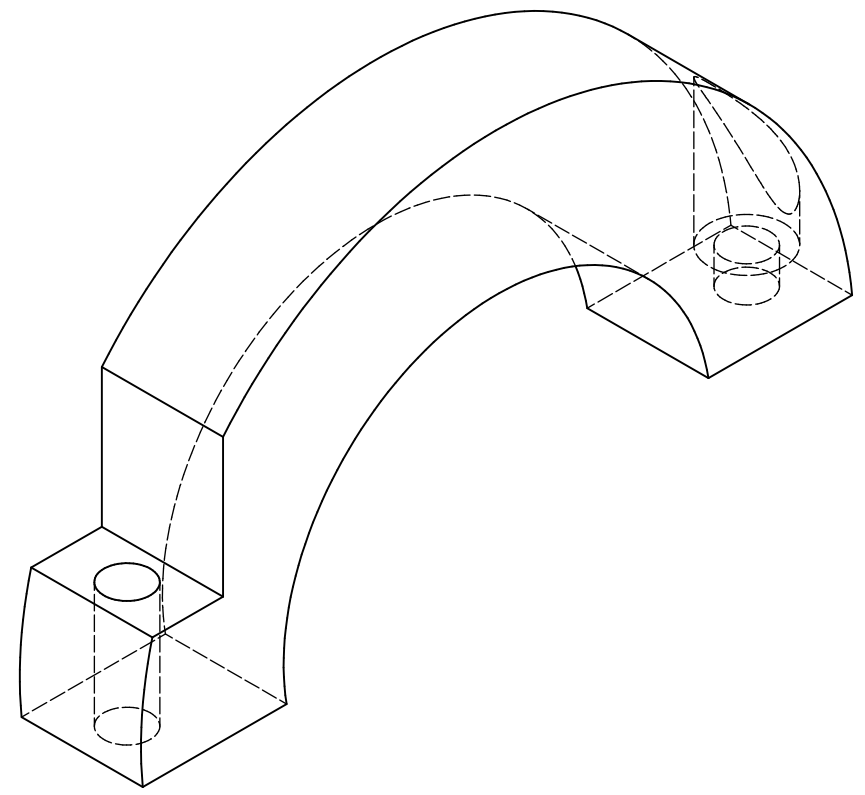
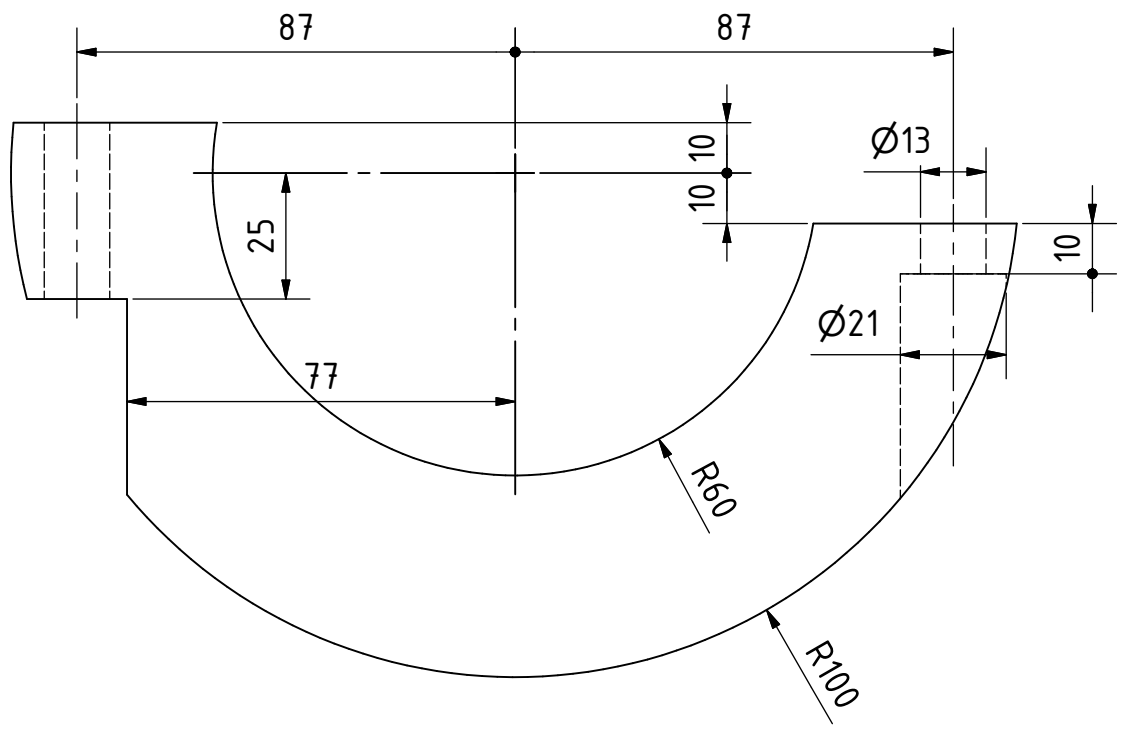


PROJECT	CREATED BY	APPROVED BY	DATE	VERSION
Vertical Drum Hemp Harvester	A. Morillo	D. Jaeger	28-05-2024	0.07
PART NAME	SPECIFICACIONES			CODE
Part 2.1.8	Steel 235J2			2.1.8
DEVELOPED BY	REDESIGNED BY	FILENAME		QTY
		2.1.8.ipt		2
		LICENSE	DOC. TYPE	SCALE
		CC-BY-SA 4.0	Part	2 : 3
				SHEET
				117 /215



OHO e.V.

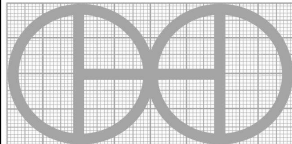
Hanfasser



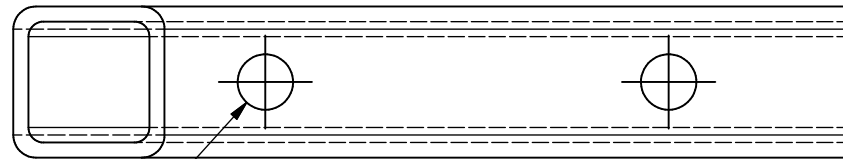
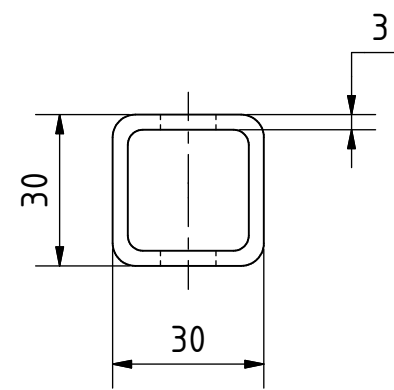
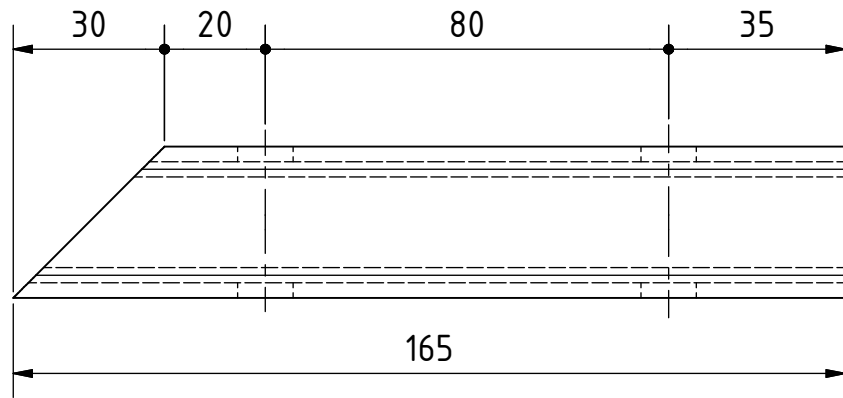
Ø13 THRU

Ø13 THRU
DIN 974 - Ø21

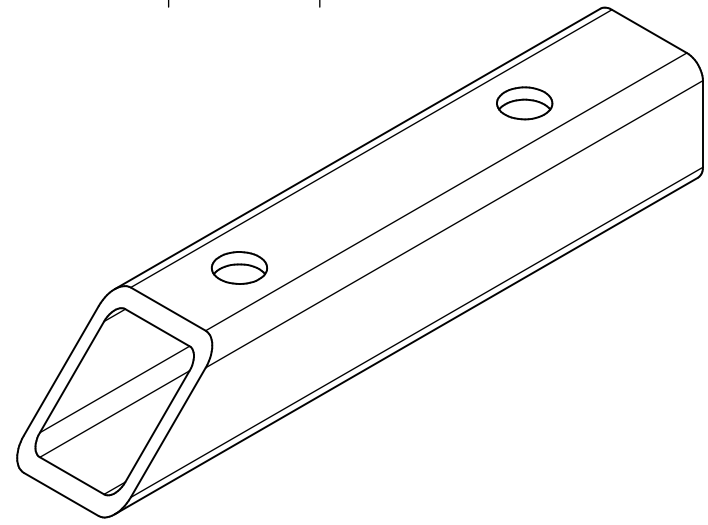
Verify material

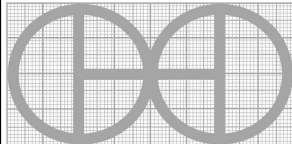
PROJECT	CREATED BY	APPROVED BY	DATE	VERSION
Vertical Drum Hemp Harvester	A. Morillo	D. Jaeger	28-05-2024	0.07
PART NAME	SPECIFICACIONES			CODE
Part 2.1.9	Cast iron (*)			2.1.9
DEVELOPED BY	REDESIGNED BY	FILENAME		QTY
		2.1.9.ipt		4
Hanfasser	LICENSE		DOC. TYPE	SHEET
	CC-BY-SA 4.0		Part	118 /215
			SCALE	
			2 : 3	

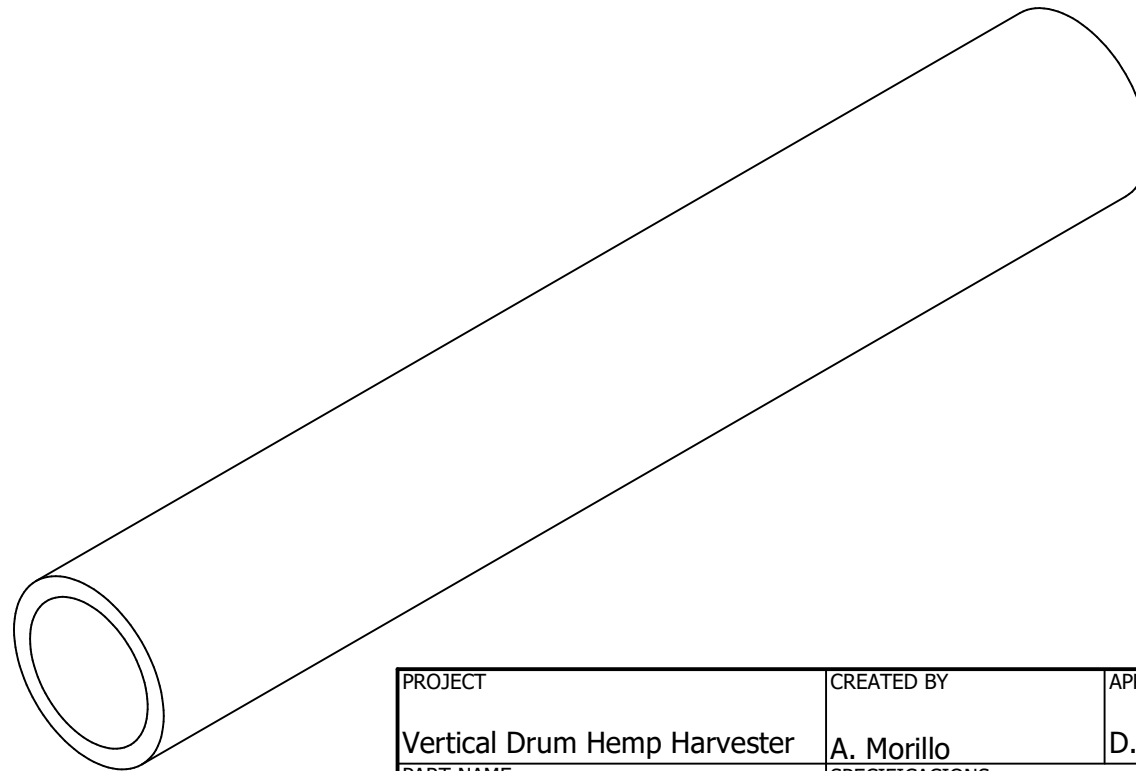
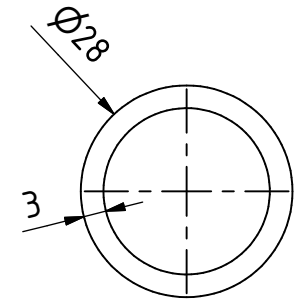
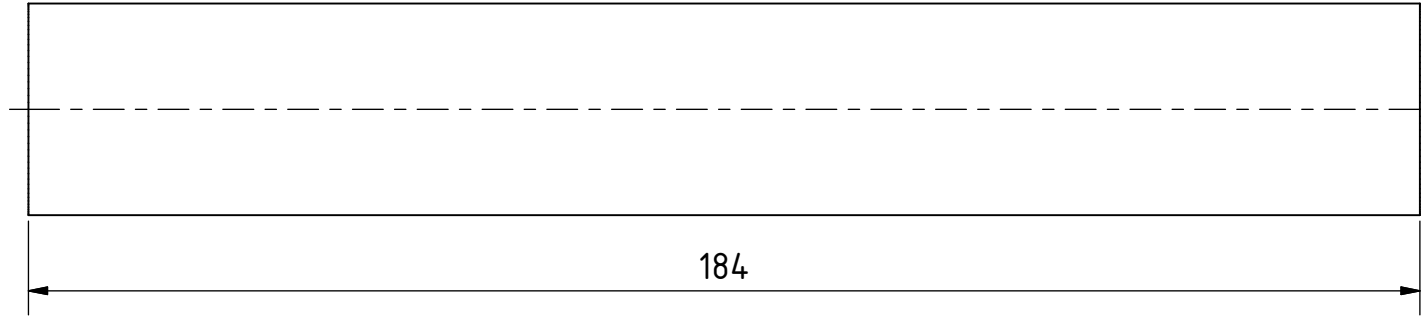
OHO e.V.

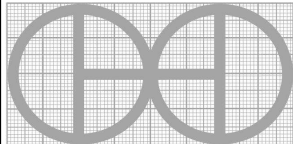


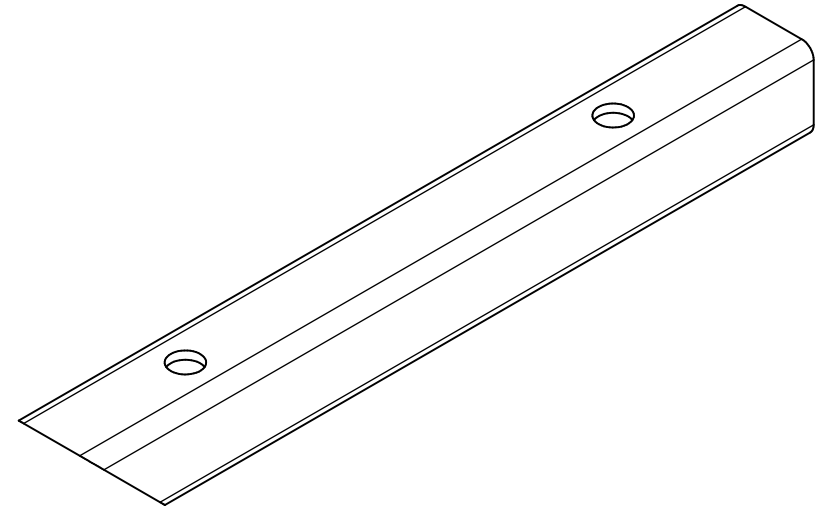
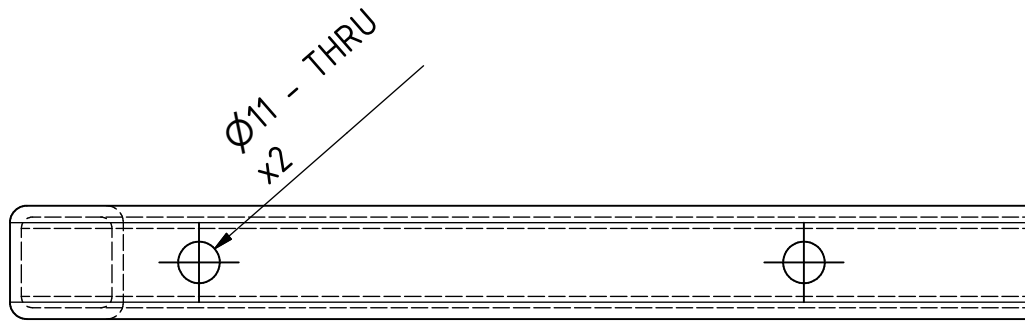
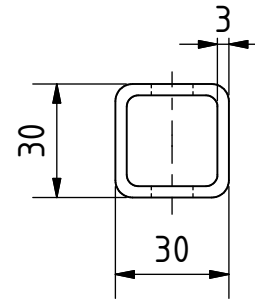
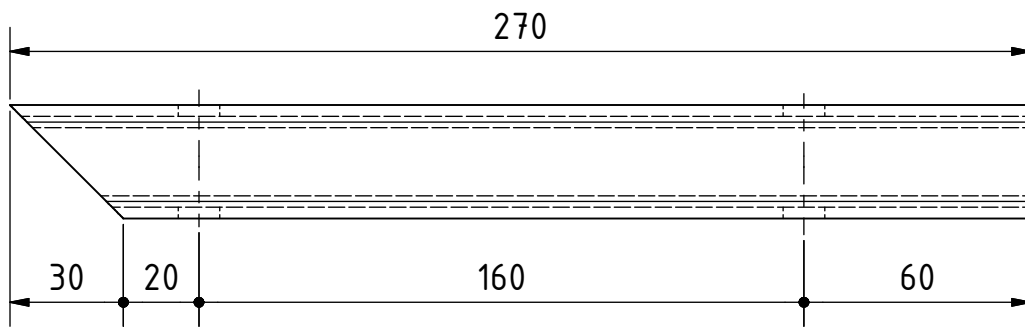
Ø11 - THRU
x2

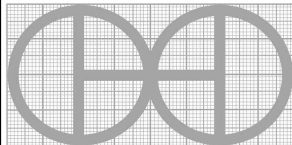


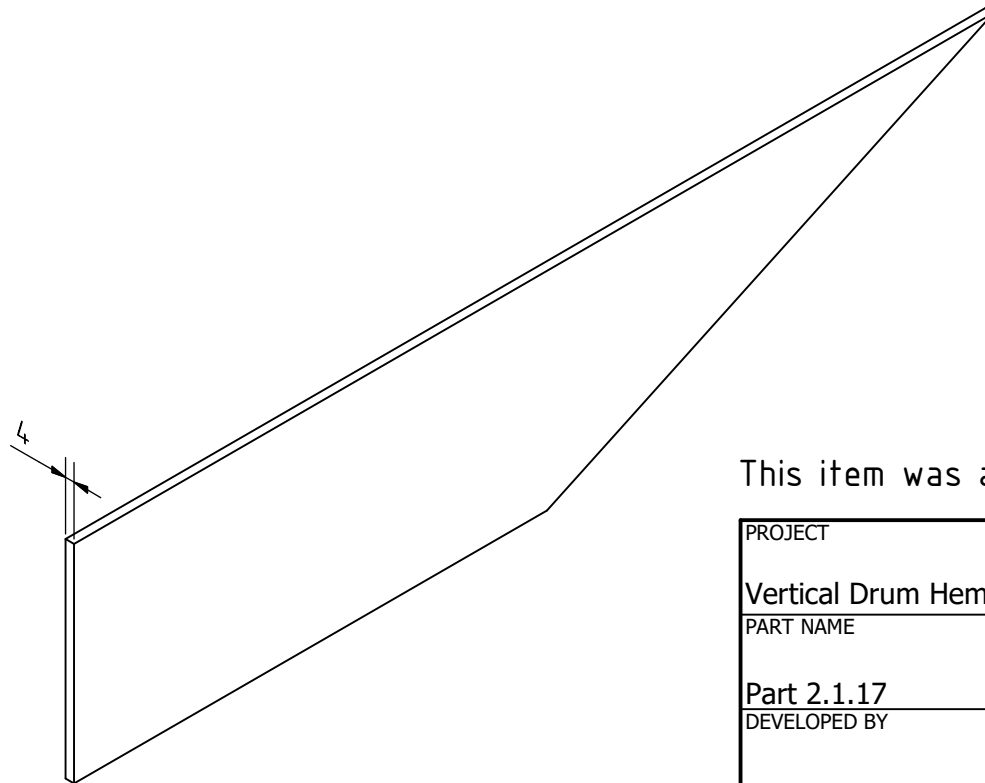
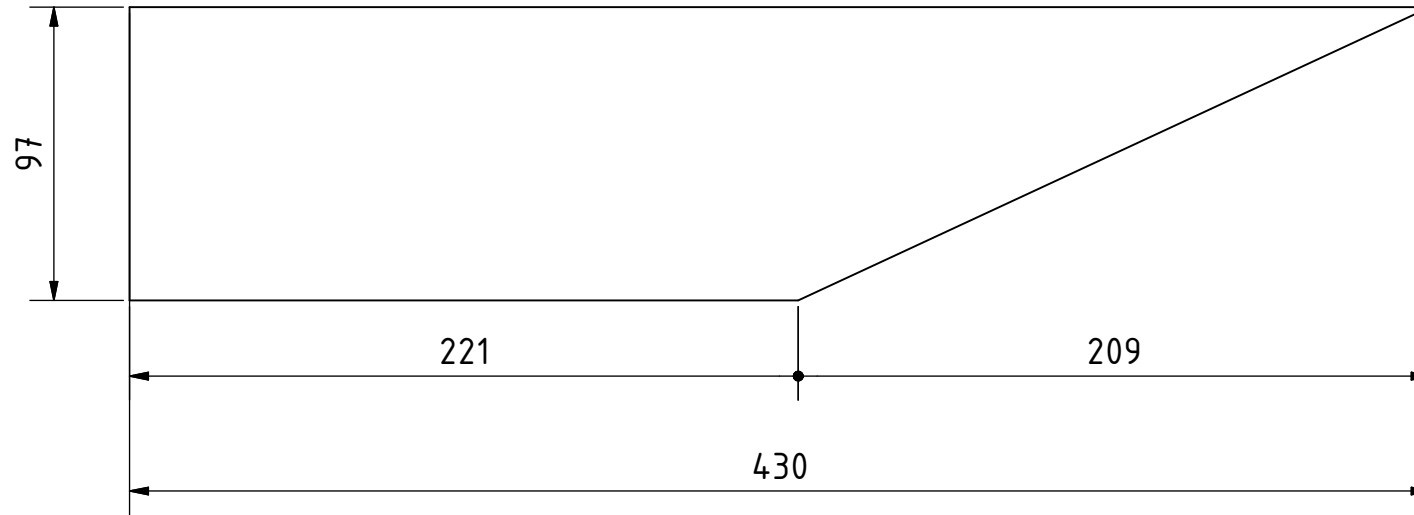
PROJECT	CREATED BY	APPROVED BY	DATE	VERSION
Vertical Drum Hemp Harvester	A. Morillo	D. Jaeger	28-05-2024	0.07
PART NAME	SPECIFICACIONES			CODE
Part 2.1.10	Square profile 30*3 mm			2.1.10
DEVELOPED BY	REDESIGNED BY	FILENAME		QTY
		2.1.10.ipt		4
Hanfasser		LICENSE	DOC. TYPE	SCALE
		CC-BY-SA 4.0	Part	2 : 3
				SHEET
				119 /215



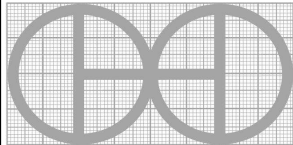
PROJECT	CREATED BY	APPROVED BY	DATE	VERSION	
Vertical Drum Hemp Harvester	A. Morillo	D. Jaeger	28-05-2024	0.07	
PART NAME	SPECIFICACIONES			CODE	
Part 2.1.11	Round tube D28*3 mm			2.1.11	
DEVELOPED BY	REDESIGNED BY	FILENAME		QTY	
Hanfasser		OHO e.V. 2.1.11.ipt		3	
		LICENSE	DOC. TYPE	SCALE	SHEET
		CC-BY-SA 4.0	Part	1 : 1	120 /215



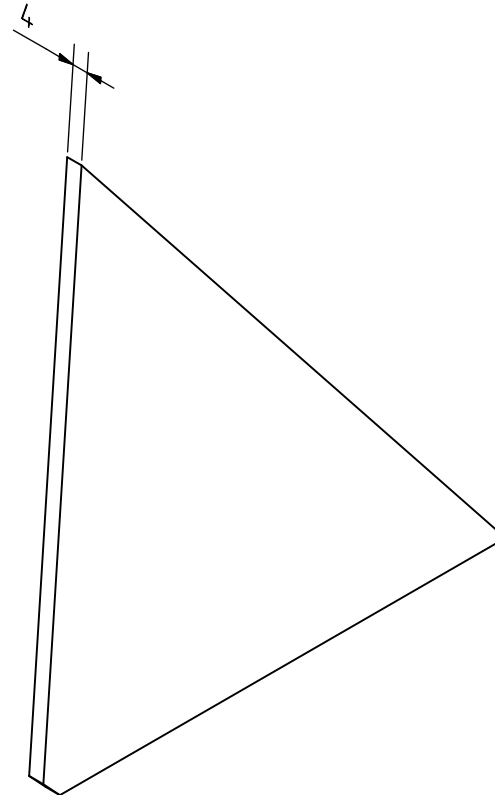
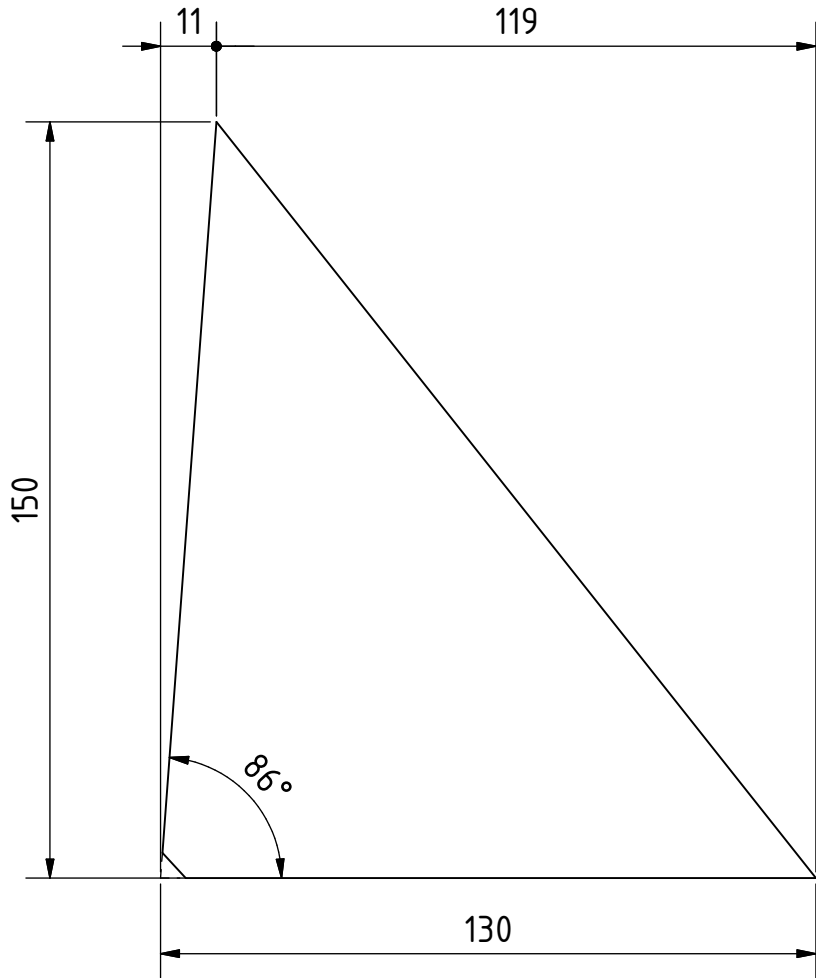
PROJECT	CREATED BY	APPROVED BY	DATE	VERSION
Vertical Drum Hemp Harvester	A. Morillo	D. Jaeger	28-05-2024	0.07
PART NAME	SPECIFICACIONES			CODE
Part 2.1.12	Square profile 30*3 mm			2.1.12
DEVELOPED BY	REDESIGNED BY	FILENAME		QTY
		2.1.12.ipt		4
Hanfasser		LICENSE	DOC. TYPE	SCALE
		CC-BY-SA 4.0	Part	1 : 2
				SHEET
				121 /215



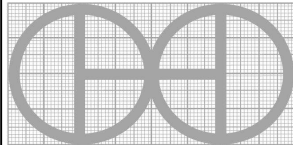
This item was adjusted to avoid interference problems

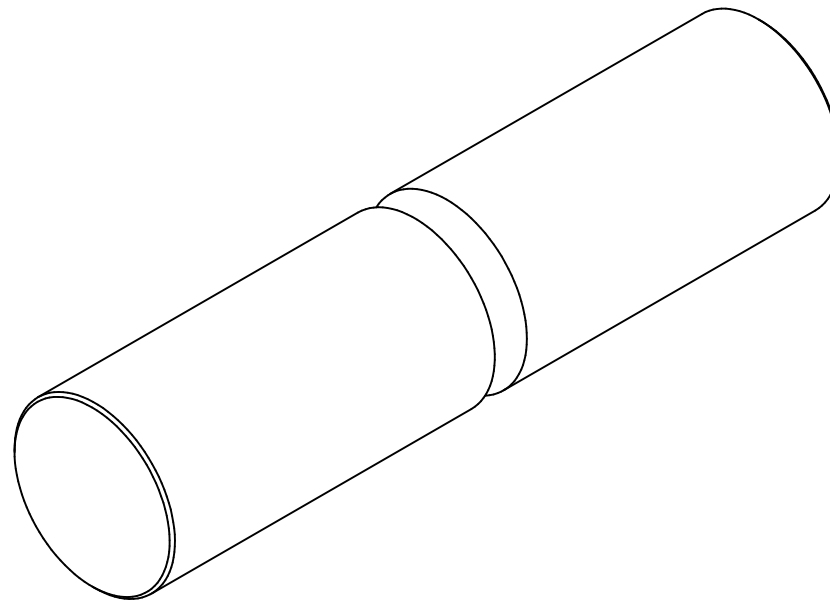
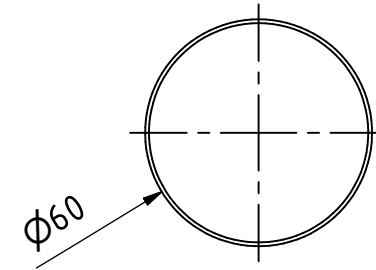
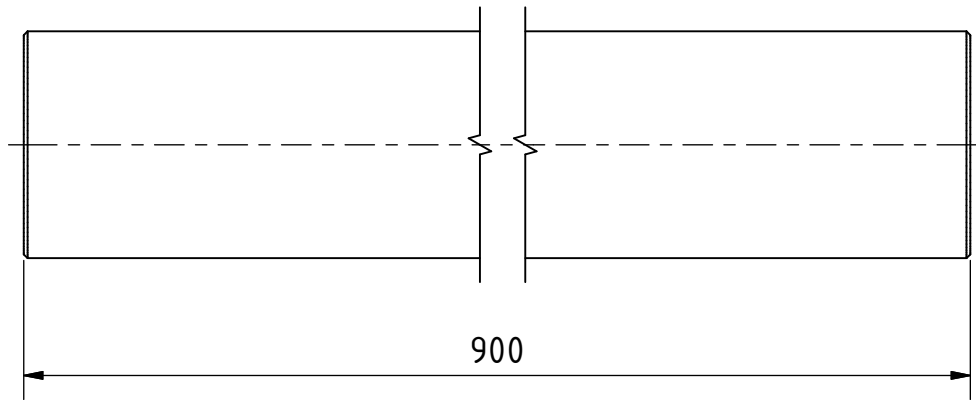
PROJECT	CREATED BY	APPROVED BY	DATE	VERSION	
Vertical Drum Hemp Harvester	A. Morillo	D. Jaeger	28-05-2024	0.07	
PART NAME	SPECIFICACIONES			CODE	
Part 2.1.17	Steel 235J2			2.1.17	
DEVELOPED BY	REDESIGNED BY	FILENAME		QTY	
		2.1.17.ipt		2	
Hanfasser		LICENSE	DOC. TYPE	SCALE	SHEET
		CC-BY-SA 4.0	Part	2 : 5	122 /215

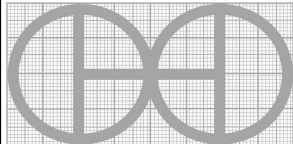
OHO e.V.



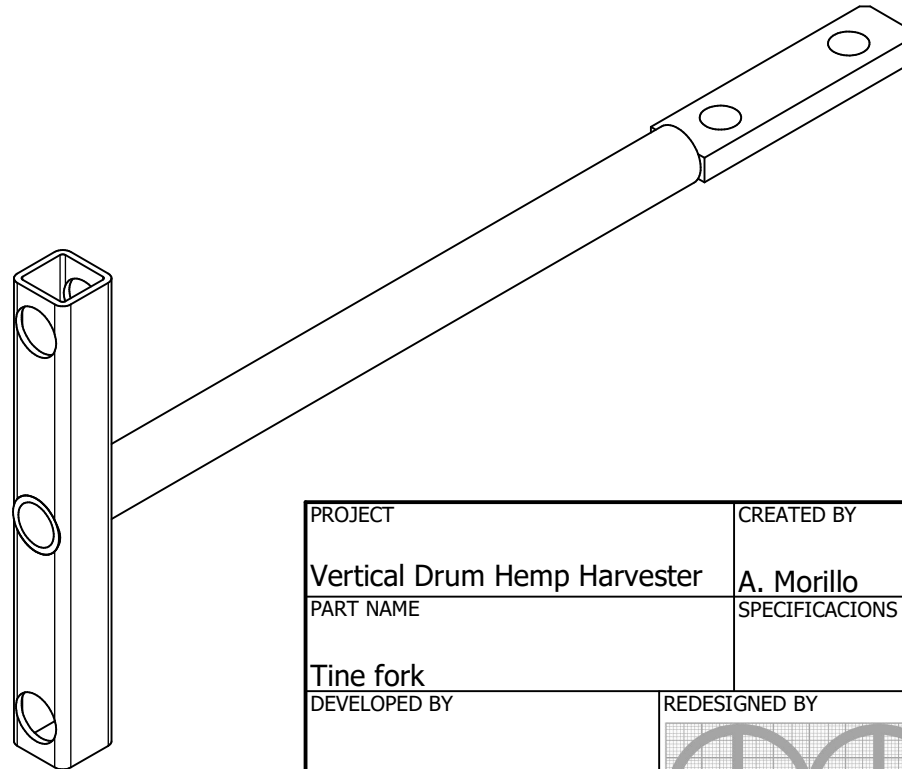
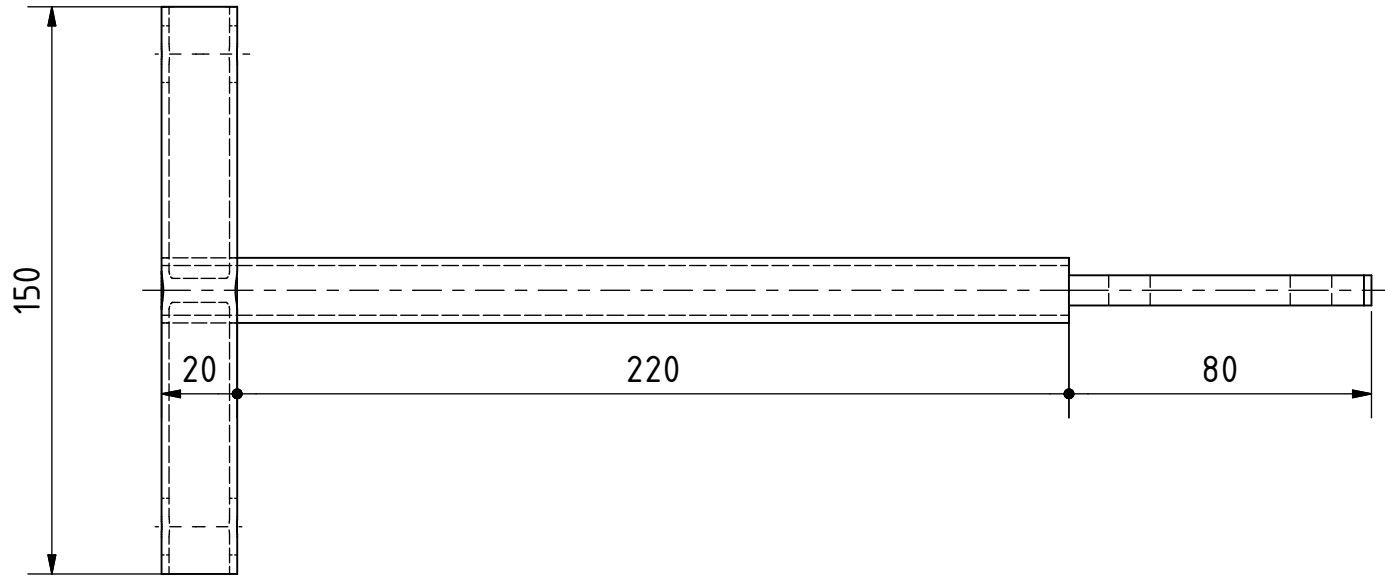
This item was adjusted to avoid interference problems

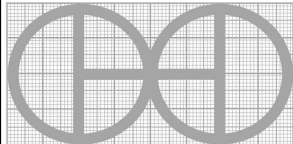
PROJECT	CREATED BY	APPROVED BY	DATE	VERSION	
Vertical Drum Hemp Harvester	A. Morillo	D. Jaeger	28-05-2024	0.07	
PART NAME	SPECIFICACIONES			CODE	
Part 2.1.18	Steel 235J2			2.1.18	
DEVELOPED BY	REDESIGNED BY	FILENAME		QTY	
Hanfasser		2.1.18.ipt		2	
		LICENSE	DOC. TYPE	SCALE	SHEET
		CC-BY-SA 4.0	Part	2 : 3	123 /215



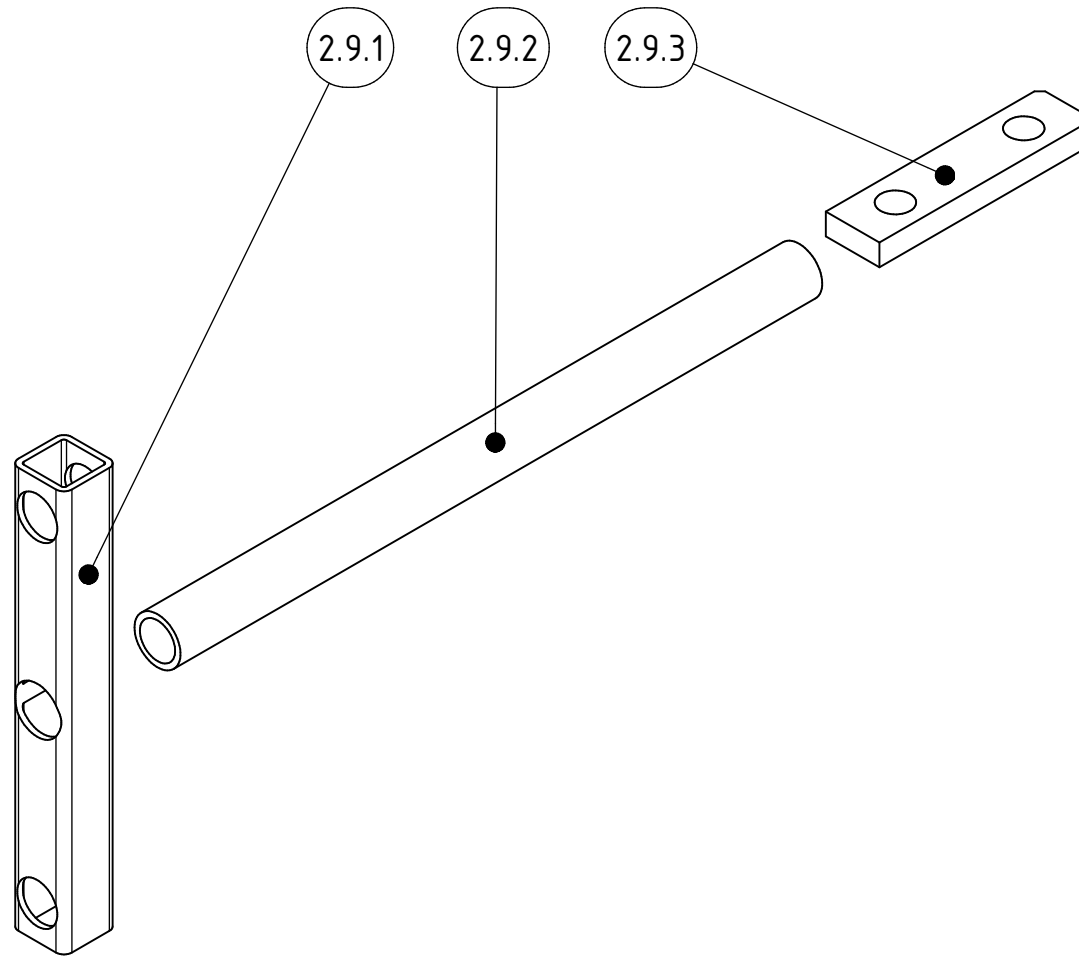
PROJECT	CREATED BY	APPROVED BY	DATE	VERSION	
Vertical Drum Hemp Harvester	A. Morillo	D. Jaeger	28-05-2024	0.07	
PART NAME	SPECIFICACIONES			CODE	
Axle for drum mounting diam. 40	Steel 235J2			2.6.0	
DEVELOPED BY	REDESIGNED BY	FILENAME		QTY	
Hanfasser		2.6.ipt		1	
		LICENSE	DOC. TYPE	SCALE	SHEET
		CC-BY-SA 4.0	Part	1 : 2	124 /215

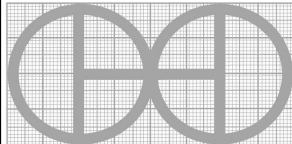
OHO e.V.



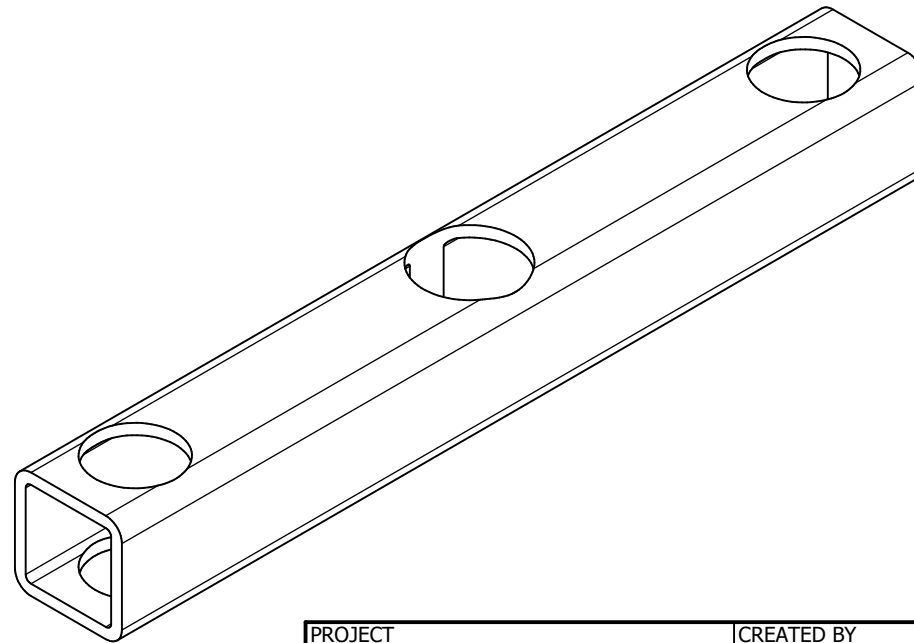
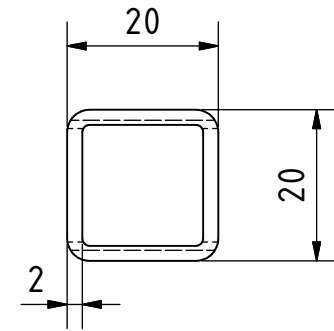
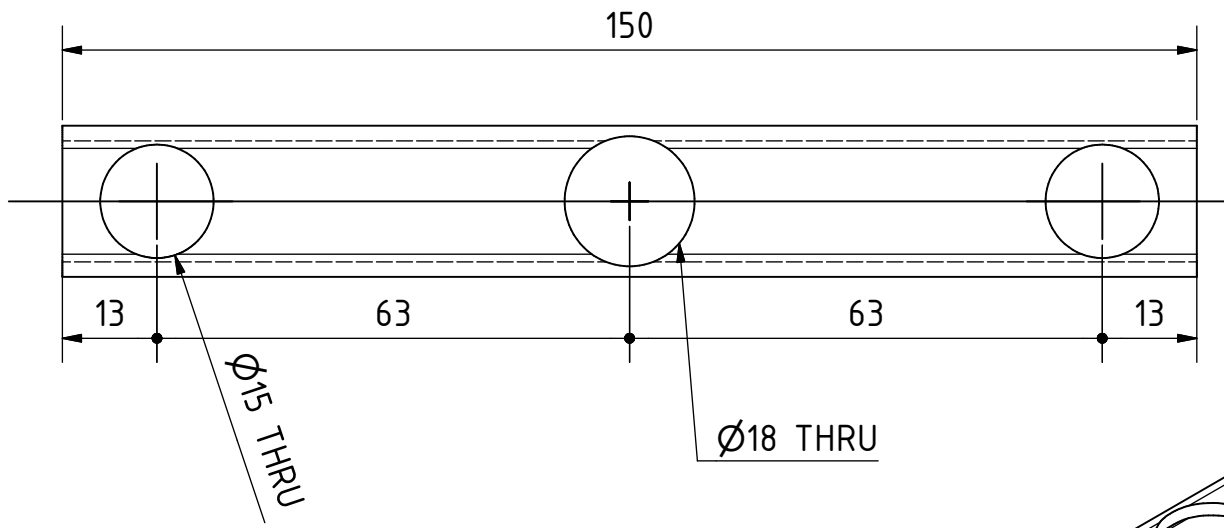
PROJECT	CREATED BY	APPROVED BY	DATE	VERSION
Vertical Drum Hemp Harvester	A. Morillo	D. Jaeger	28-05-2024	0.07
PART NAME	SPECIFICACIONES			CODE
Tine fork				2.9.0
DEVELOPED BY	REDESIGNED BY	FILENAME		QTY
		2.9.iam		24
Hanfasser		LICENSE	DOC. TYPE	SCALE
		CC-BY-SA 4.0	Assembly	1 : 2
				SHEET
				125 /215

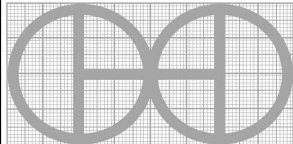
OHO e.V.

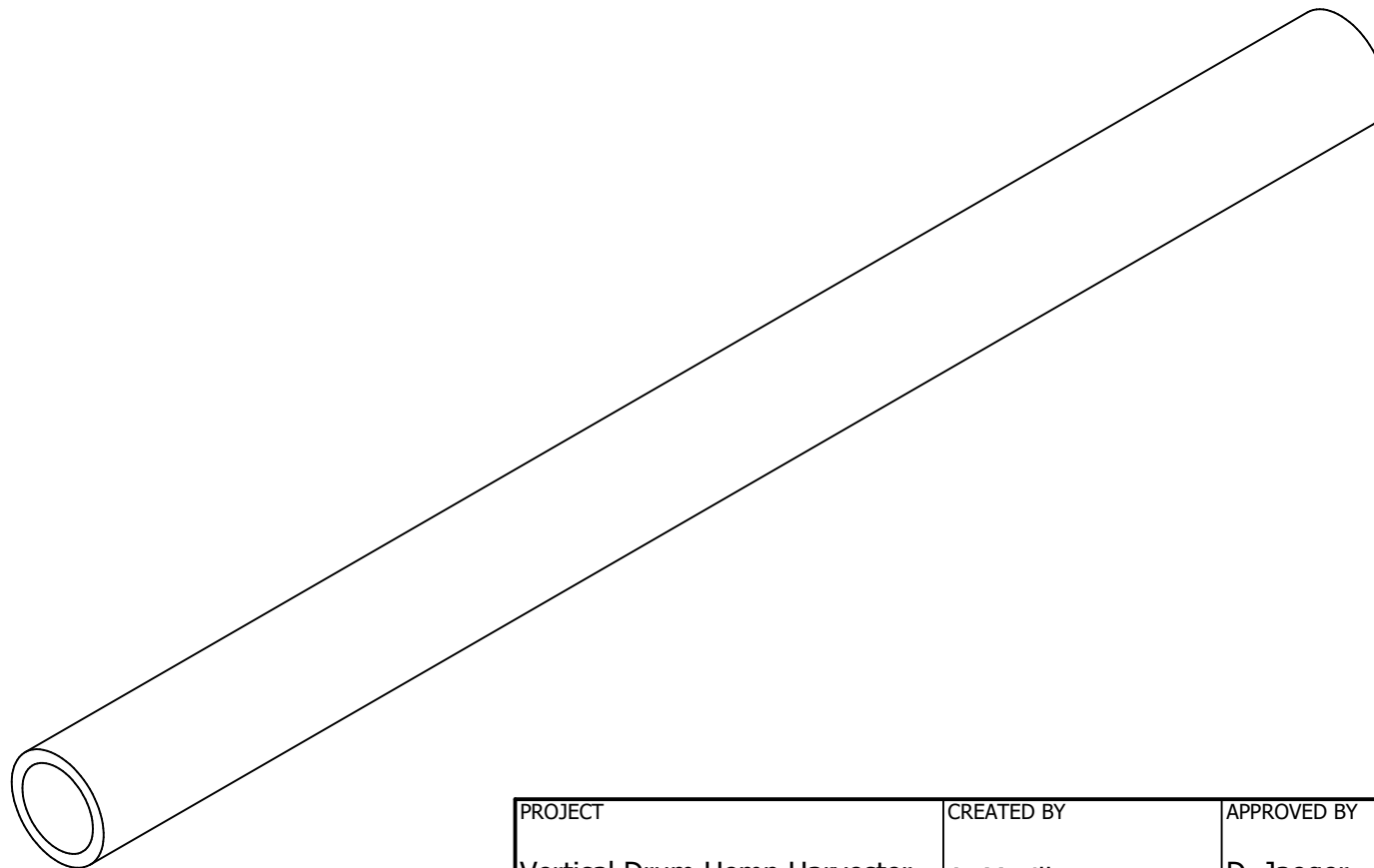
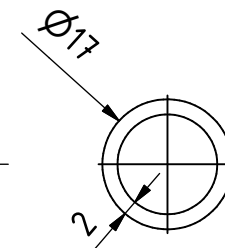
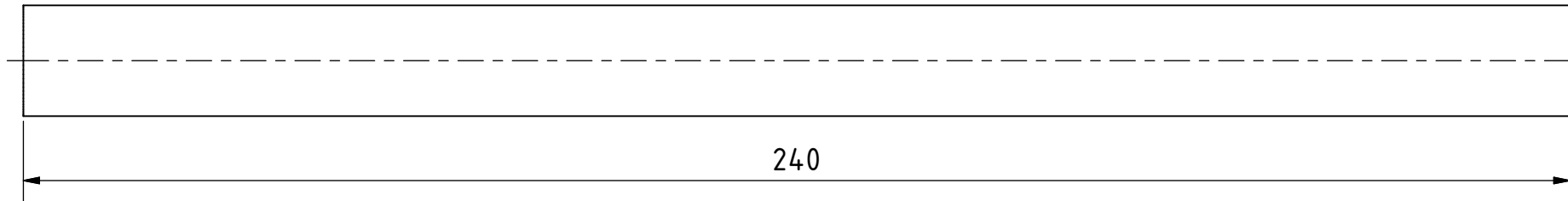


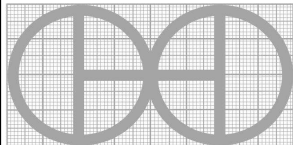
PROJECT	CREATED BY	APPROVED BY	DATE	VERSION
Vertical Drum Hemp Harvester	A. Morillo	D. Jaeger	28-05-2024	0.07
PART NAME	SPECIFICACIONES			CODE
Tine fork				2.9.0
DEVELOPED BY	REDESIGNED BY	FILENAME		QTY
		2.9.ipn		24
Hanfasser		LICENSE	DOC. TYPE	SHEET
		CC-BY-SA 4.0	Assembly	126 /215
		SCALE	1 : 2	

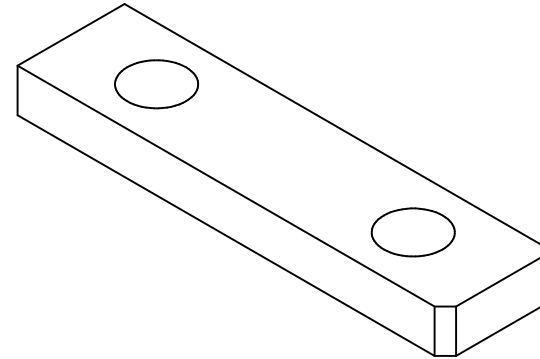
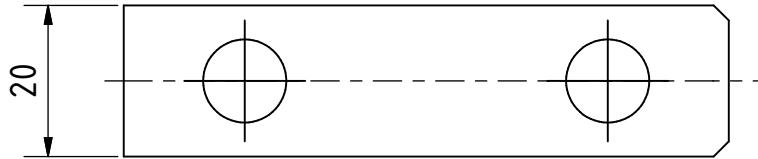
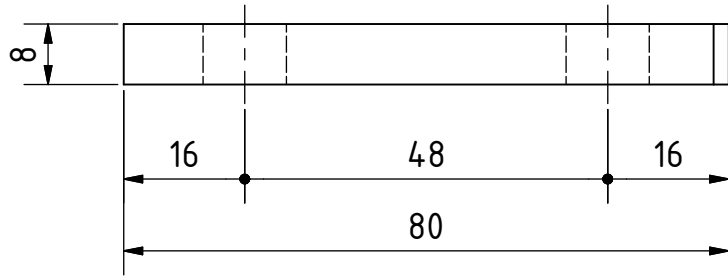
OHO e.V.

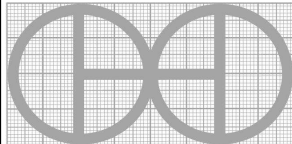


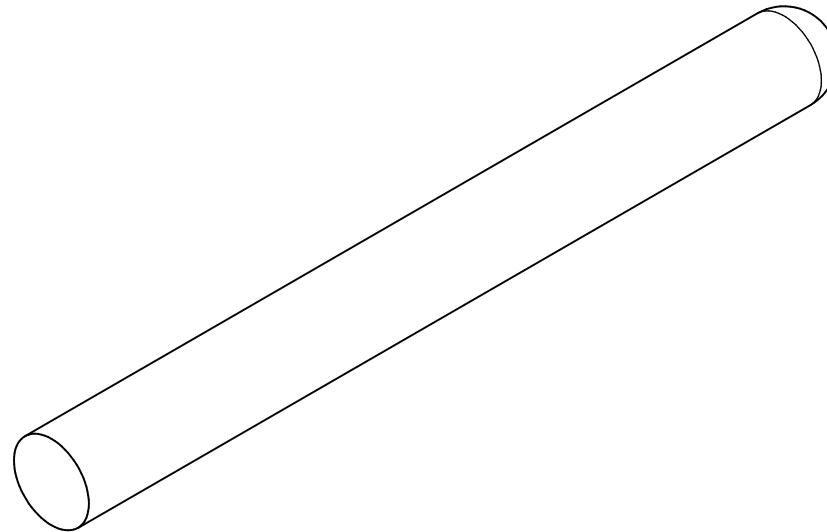
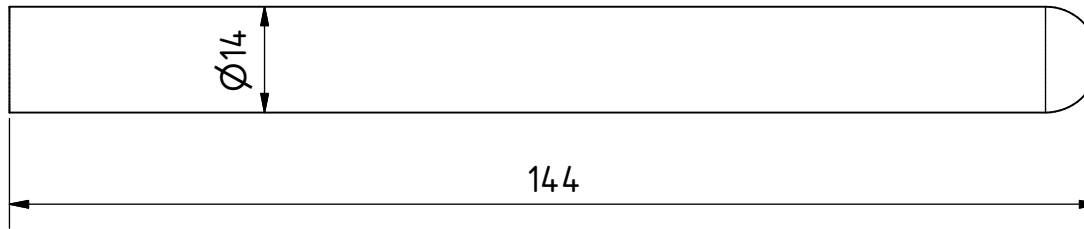
PROJECT	CREATED BY	APPROVED BY	DATE	VERSION
Vertical Drum Hemp Harvester	A. Morillo	D. Jaeger	28-05-2024	0.07
PART NAME	SPECIFICACIONES			CODE
Part 2.9.1	Square profile 20*2 mm			2.9.1
DEVELOPED BY	REDESIGNED BY	FILENAME		QTY
		2.9.1.ipt		1
Hanfasser		LICENSE	DOC. TYPE	SCALE
		CC-BY-SA 4.0	Part	1 : 1
				SHEET
				127 /215

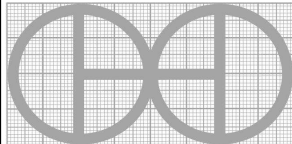


PROJECT	CREATED BY	APPROVED BY	DATE	VERSION	
Vertical Drum Hemp Harvester	A. Morillo	D. Jaeger	28-05-2024	0.07	
PART NAME	SPECIFICACIONES			CODE	
Part 2.9.2	Round tube D17*2 mm			2.9.2	
DEVELOPED BY	REDESIGNED BY	FILENAME		QTY	
Hanfasser		2.9.2.ipt		1	
		LICENSE	DOC. TYPE	SCALE	SHEET
		CC-BY-SA 4.0	Part	1 : 1	128 /215

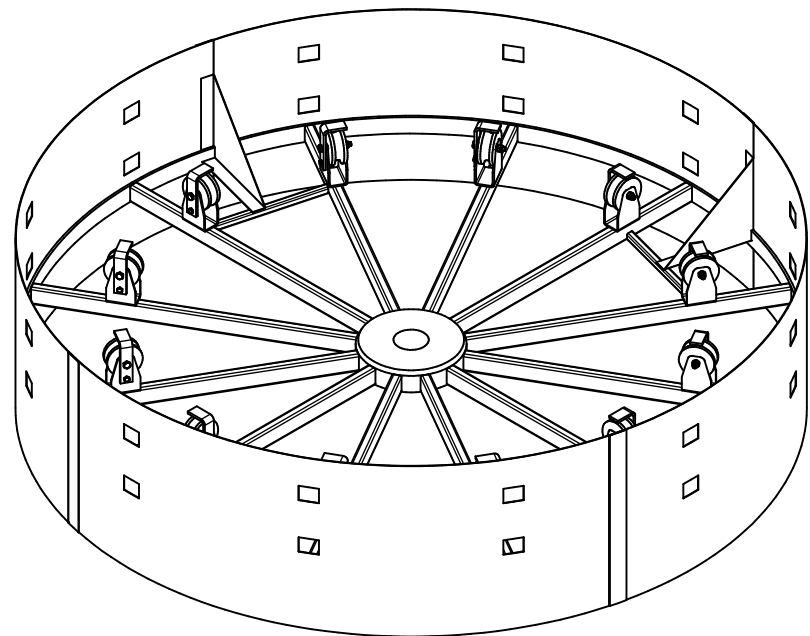
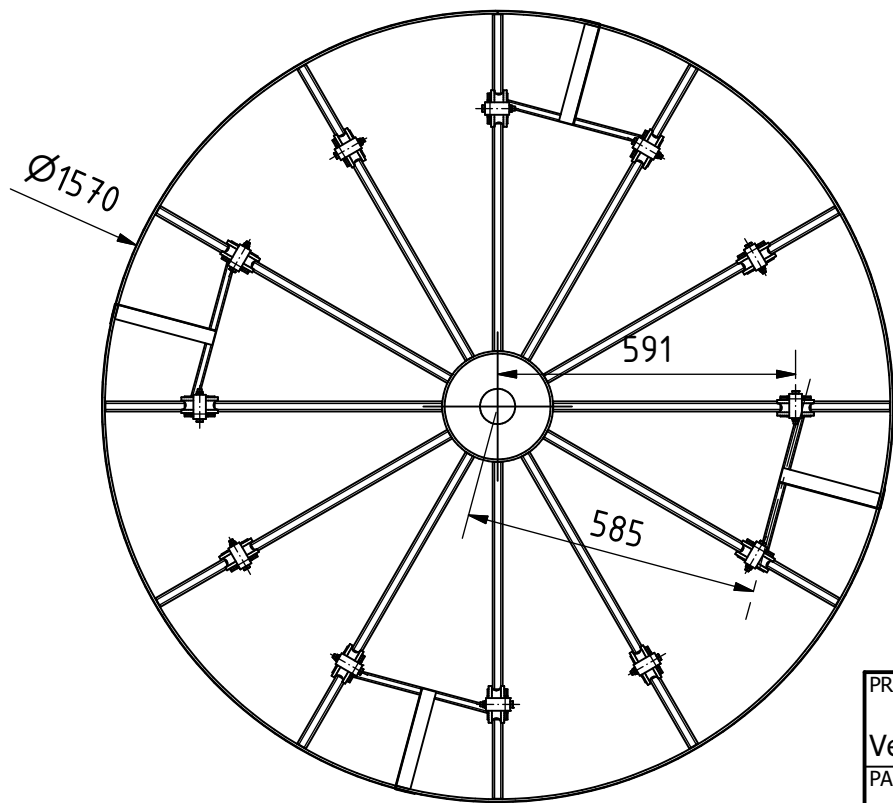
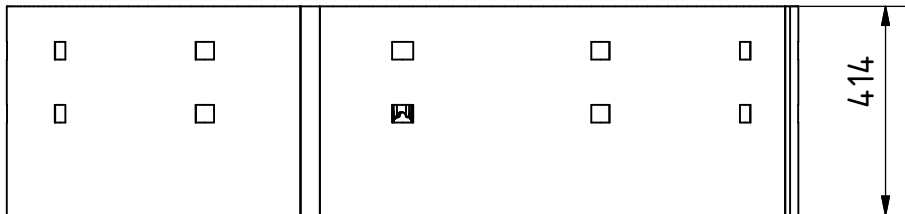


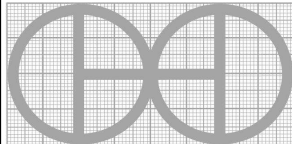
PROJECT	CREATED BY	APPROVED BY	DATE	VERSION	
Vertical Drum Hemp Harvester	A. Morillo	D. Jaeger	28-05-2024	0.07	
PART NAME	SPECIFICACIONES			CODE	
Part 2.9.3	Steel 235J2			2.9.3	
DEVELOPED BY	REDESIGNED BY	FILENAME		QTY	
Hanfasser		2.9.3.ipt		1	
		LICENSE	DOC. TYPE	SCALE	SHEET
		CC-BY-SA 4.0	Part	1 : 1	129 / 215

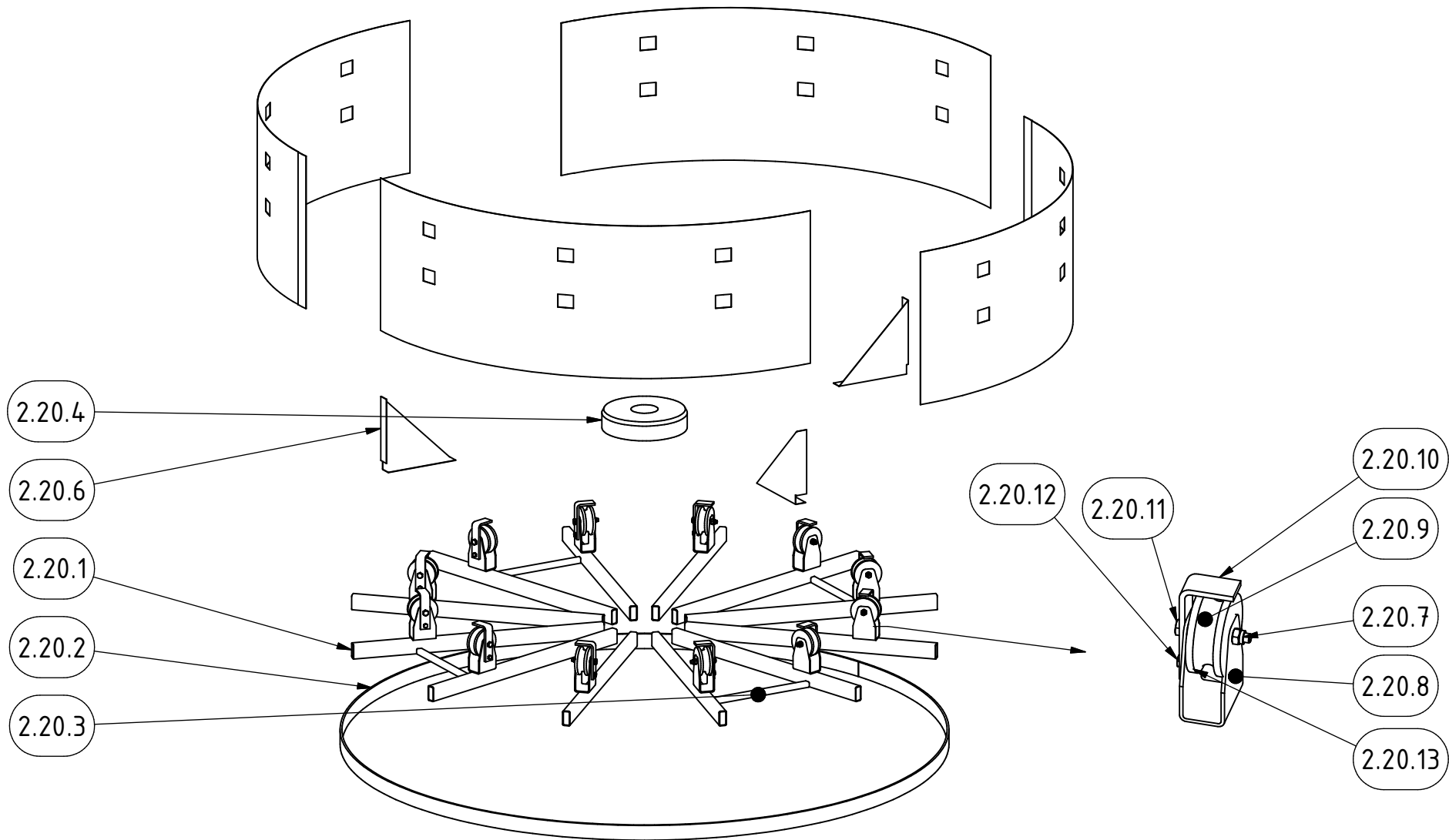


PROJECT	CREATED BY	APPROVED BY	DATE	VERSION	
Vertical Drum Hemp Harvester	A. Morillo	D. Jaeger	28-05-2024	0.07	
PART NAME	SPECIFICACIONES			CODE	
Tines	Round bar D 14mm			2.11.0	
DEVELOPED BY	REDESIGNED BY	FILENAME		QTY	
Hanfasser		2.11.ipt		48	
		LICENSE	DOC. TYPE	SCALE	SHEET
		CC-BY-SA 4.0	Part	1 : 1	130 /215

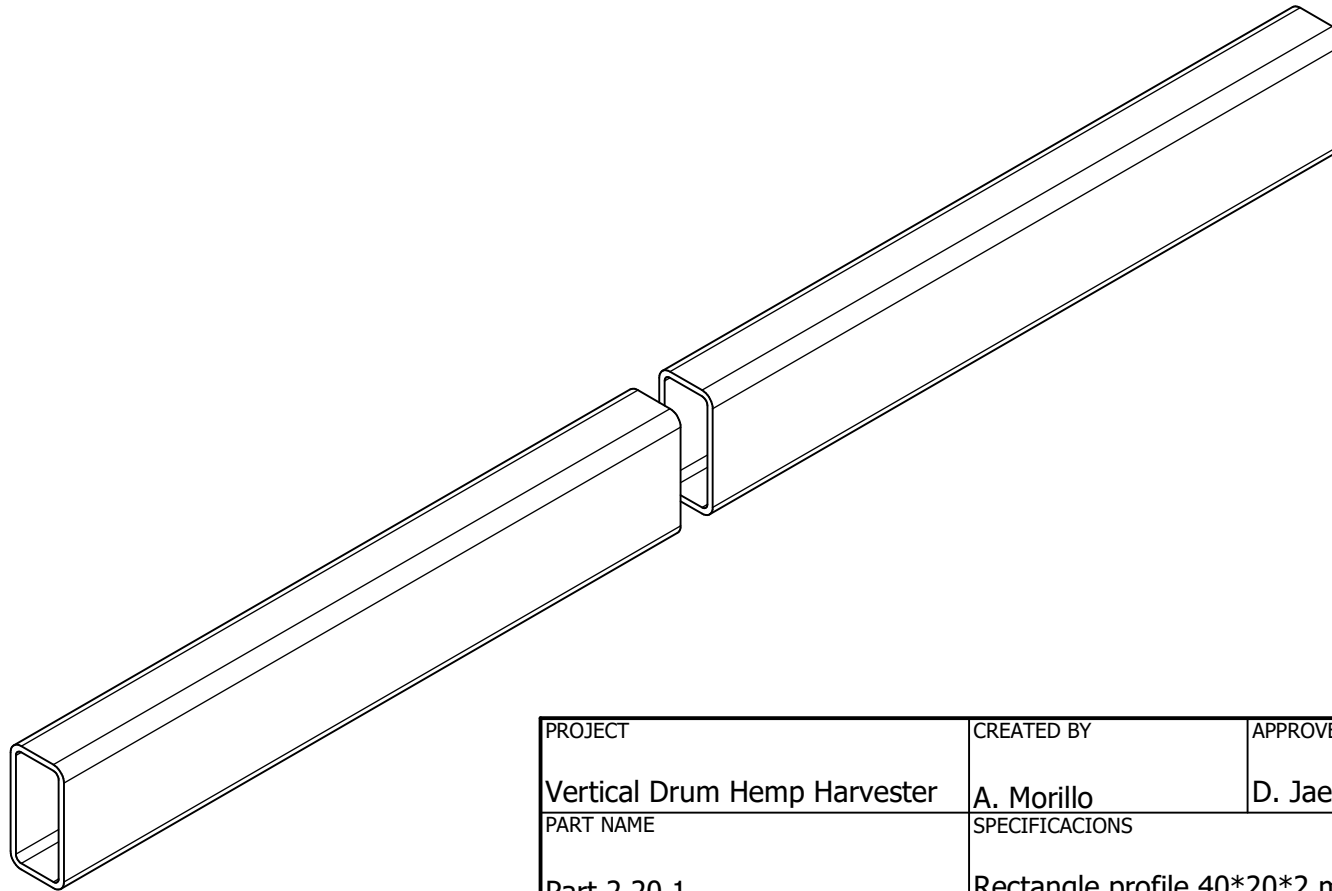
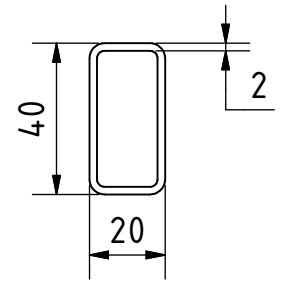
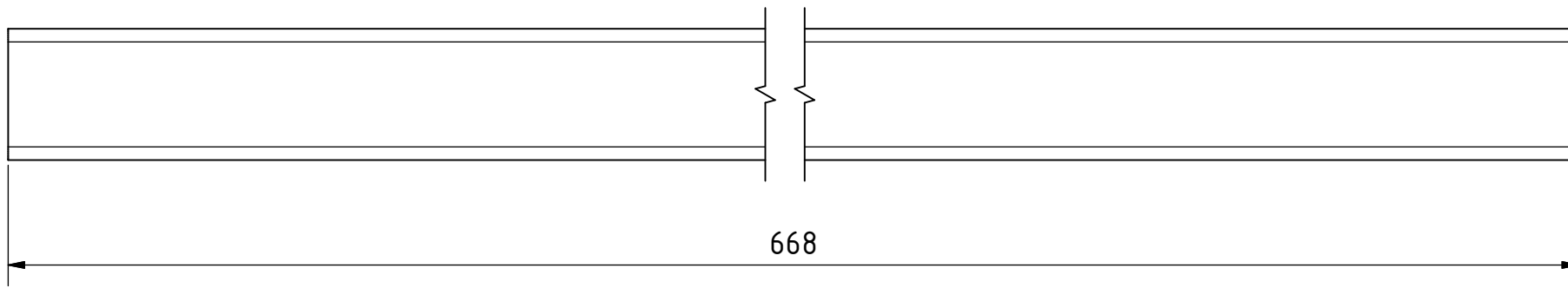
OHO e.V.

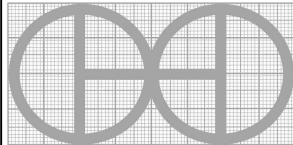


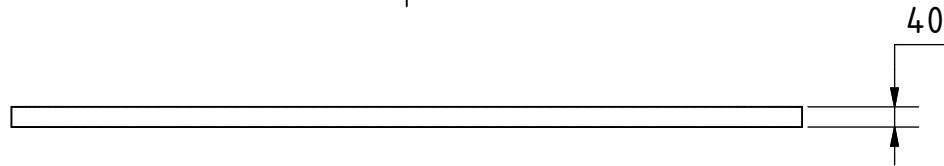
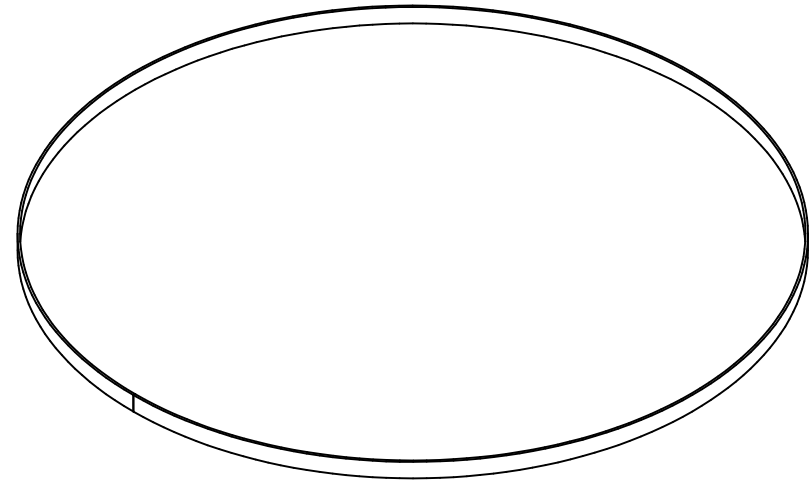
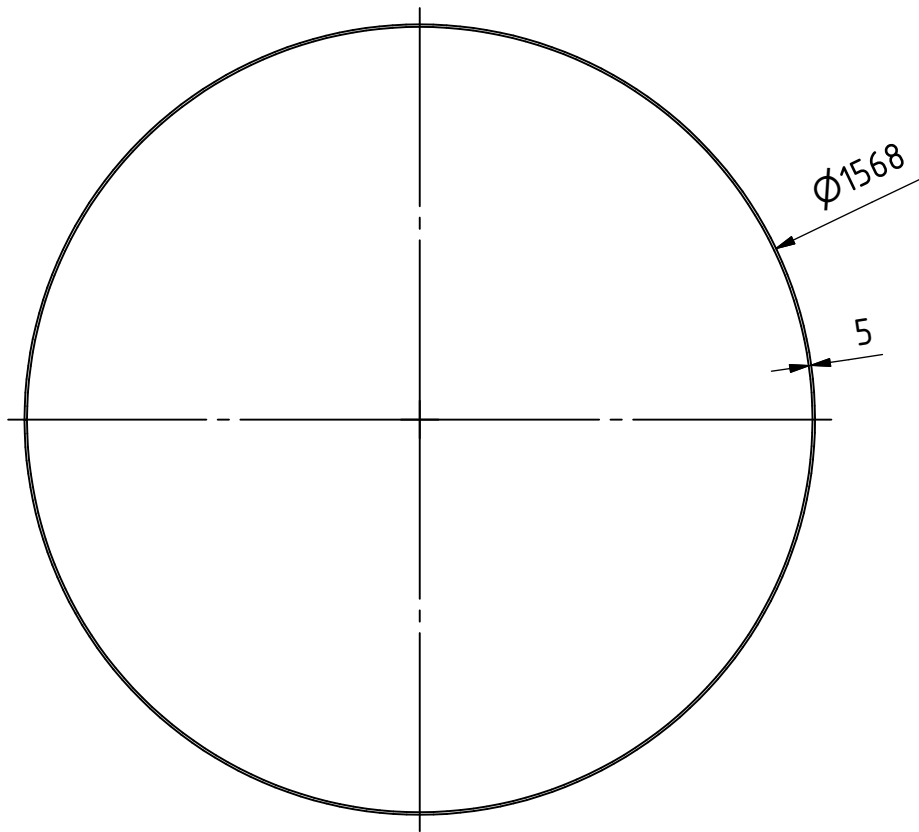
PROJECT		CREATED BY		APPROVED BY		DATE		VERSION		
Vertical Drum Hemp Harvester		A. Morillo		D. Jaeger		28-05-2024		0.07		
PART NAME				SPECIFICACIONES				CODE		
Feed drum_center cpl								2.20.0		
DEVELOPED BY			REDESIGNED BY			FILENAME			QTY	
Hanfasser						2.20.iam			1	
			OHO e.V.			LICENSE		DOC. TYPE	SCALE	SHEET
			CC-BY-SA 4.0			Assembly		1 : 15	131 /215	

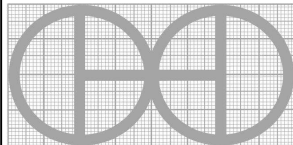


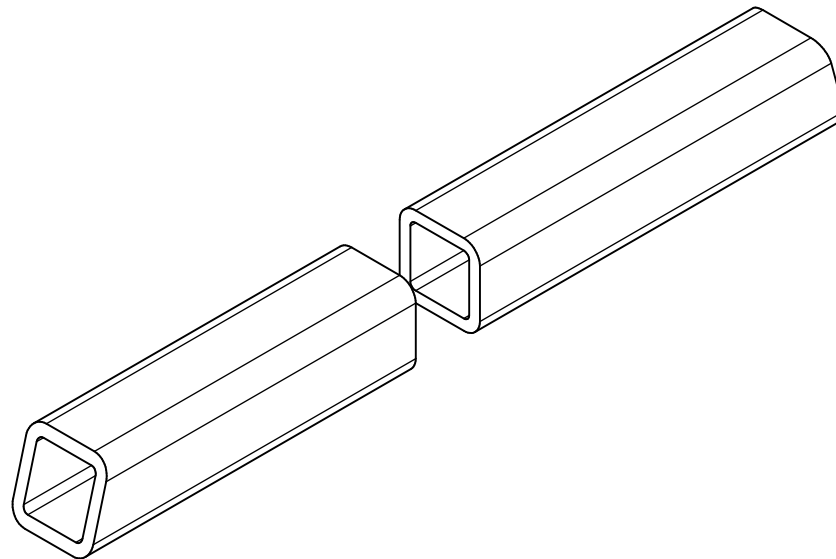
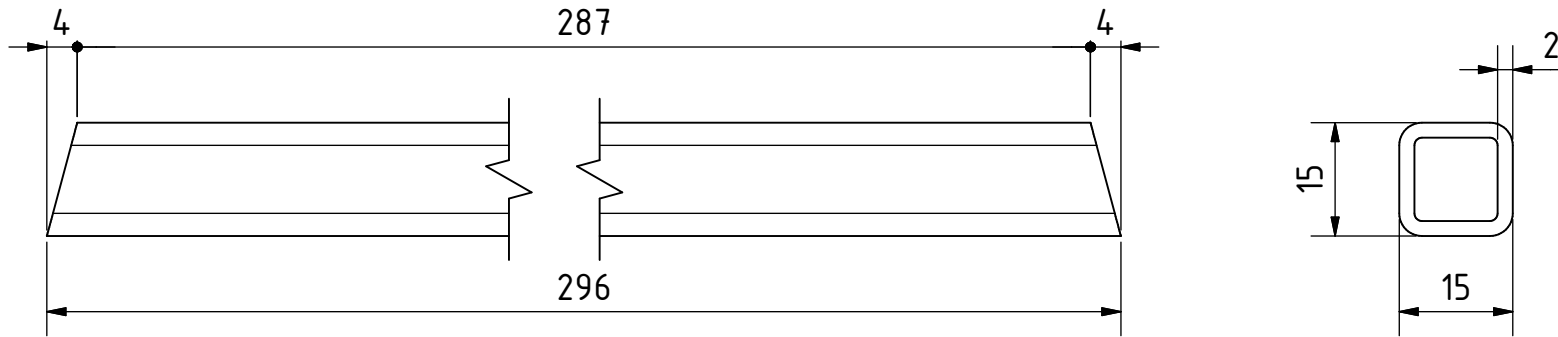
PROJECT	CREATED BY	APPROVED BY	DATE	VERSION
Vertical Drum Hemp Harvester	A. Morillo	D. Jaeger	28-05-2024	0.07
PART NAME	SPECIFICACIONES			CODE
Feed drum_center cpl				2.20.0
DEVELOPED BY	REDESIGNED BY	FILENAME		QTY
		2.20.ipn		1
		LICENSE	DOC. TYPE	SCALE
		CC-BY-SA 4.0	Assembly	1 : 15
Handfasser				132 /215

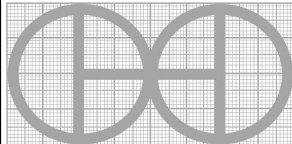


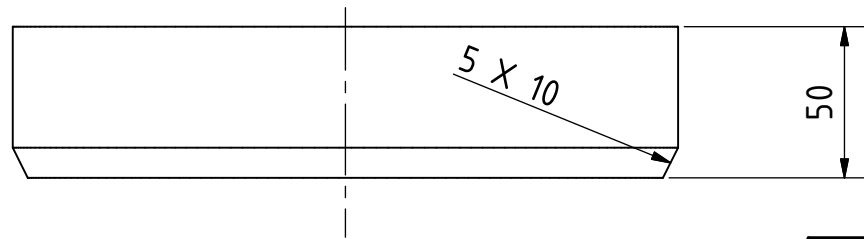
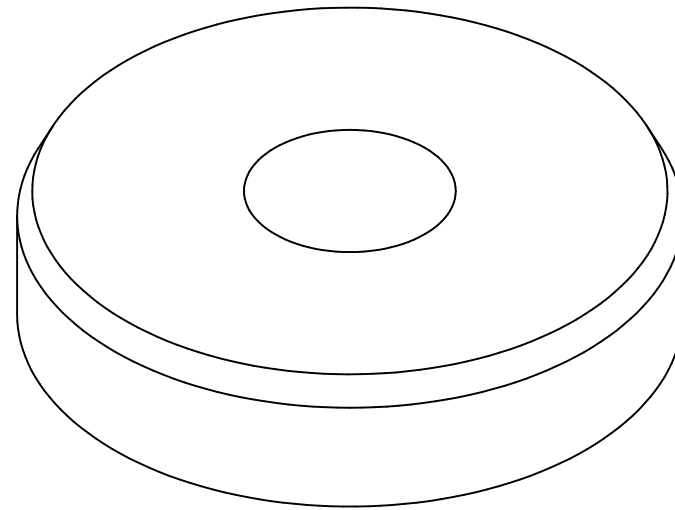
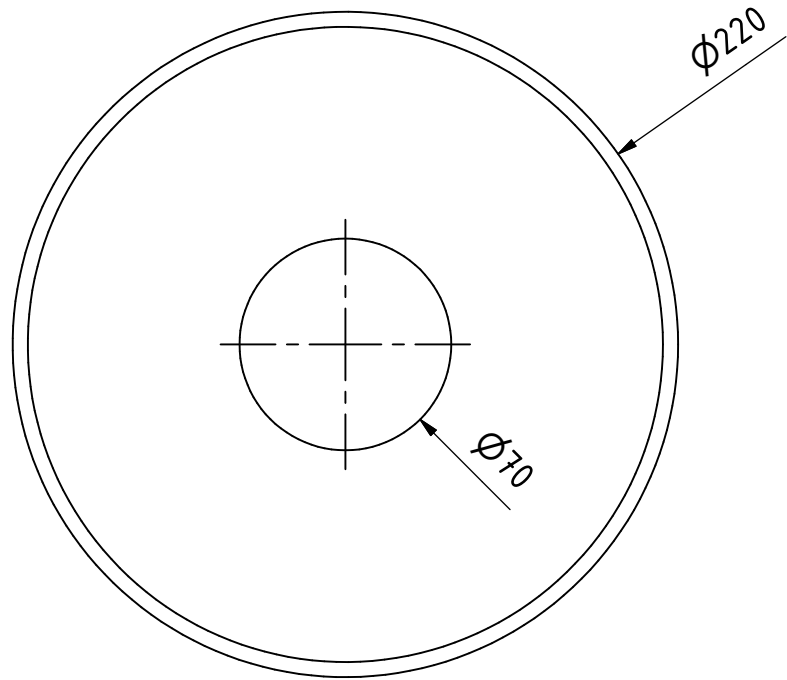
PROJECT	CREATED BY	APPROVED BY	DATE	VERSION	
Vertical Drum Hemp Harvester	A. Morillo	D. Jaeger	28-05-2024	0.07	
PART NAME	SPECIFICACIONES			CODE	
Part 2.20.1	Rectangle profile 40*20*2 mm			2.20.1	
DEVELOPED BY	REDESIGNED BY	FILENAME		QTY	
Hanfasser		OHO e.V. 2.20.1.ipt		12	
		LICENSE	DOC. TYPE	SCALE	SHEET
		CC-BY-SA 4.0	Part	1 : 2	133 /215

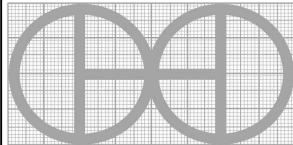


PROJECT	CREATED BY	APPROVED BY	DATE	VERSION
Vertical Drum Hemp Harvester	A. Morillo	D. Jaeger	28-05-2024	0.07
PART NAME	SPECIFICACIONES			CODE
Part 2.20.2	Flat bar 40*5 mm			2.20.2
DEVELOPED BY	REDESIGNED BY	FILENAME		QTY
Hanfasser		2.20.2.ipt		1
		LICENSE	DOC. TYPE	SCALE
		CC-BY-SA 4.0	Part	1 : 15 134 /215

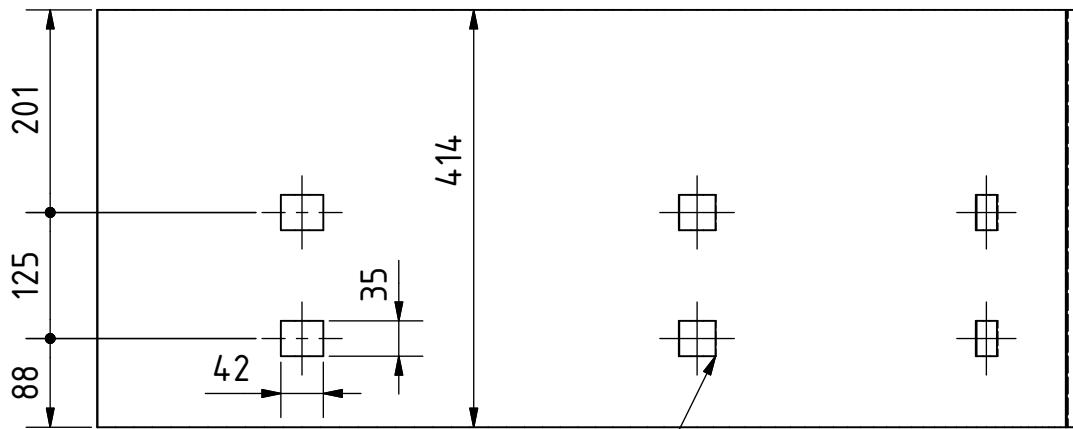
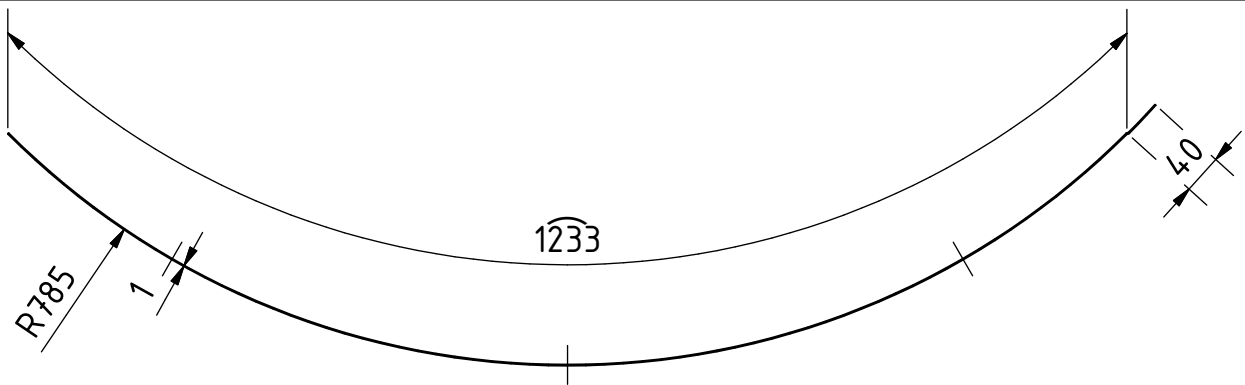


PROJECT	CREATED BY	APPROVED BY	DATE	VERSION	
Vertical Drum Hemp Harvester	A. Morillo	D. Jaeger	28-05-2024	0.07	
PART NAME	SPECIFICACIONES			CODE	
Part 2.20.3	Square profile 15*2 mm			2.20.3	
DEVELOPED BY	REDESIGNED BY	FILENAME		QTY	
Hanfasser		2.20.3.ipt		4	
		LICENSE	DOC. TYPE	SCALE	SHEET
		CC-BY-SA 4.0	Part	1 : 1	135 /215

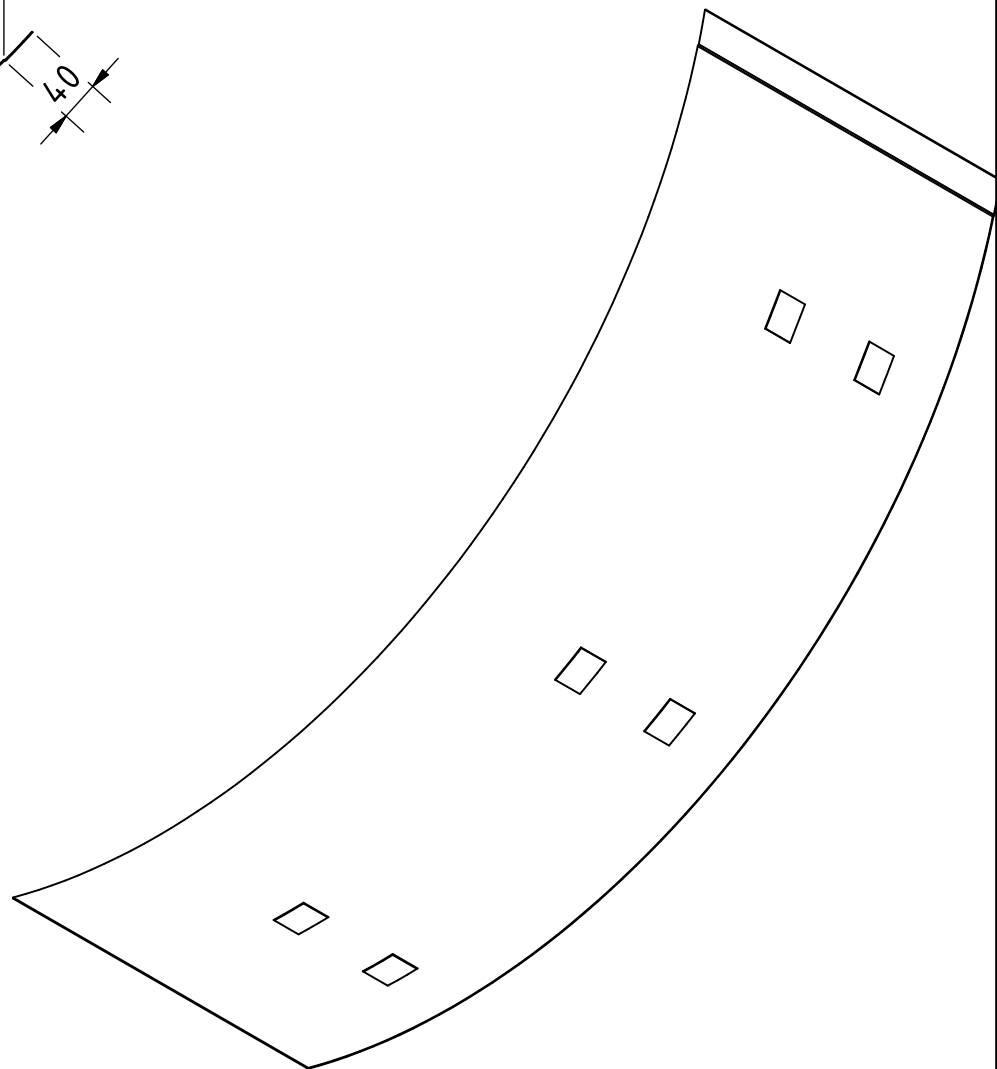


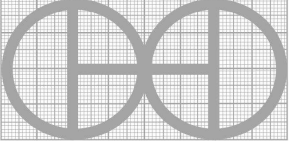
PROJECT	CREATED BY	APPROVED BY	DATE	VERSION	
Vertical Drum Hemp Harvester	A. Morillo	D. Jaeger	28-05-2024	0.07	
PART NAME	SPECIFICACIONES			CODE	
Part 2.20.4	Cast iron (*)			2.20.4	
DEVELOPED BY	REDESIGNED BY	FILENAME		QTY	
Hanfasser		2.20.4.ipt		1	
		LICENSE	DOC. TYPE	SCALE	SHEET
		CC-BY-SA 4.0	Part	2 : 5	136 /215

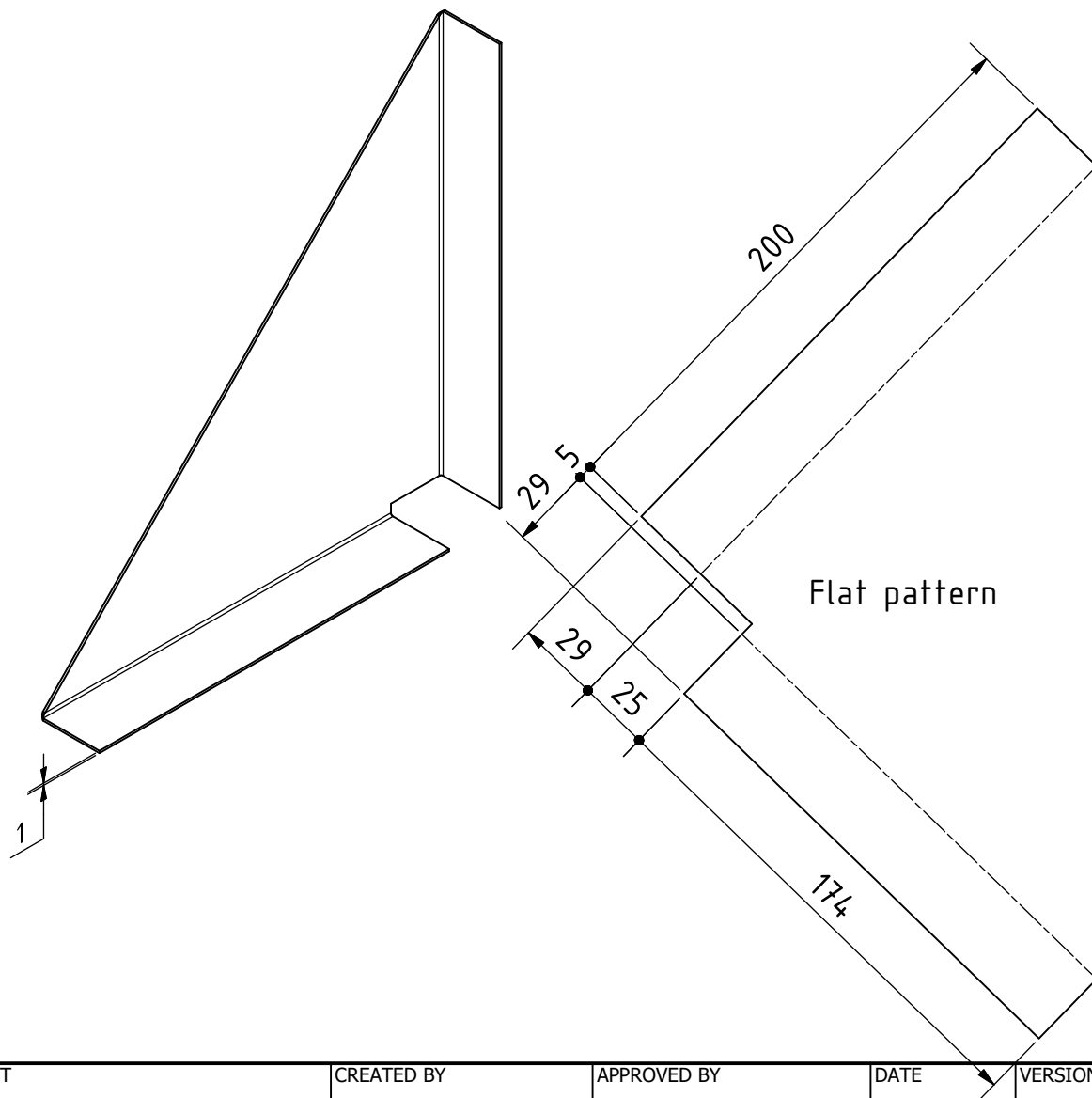
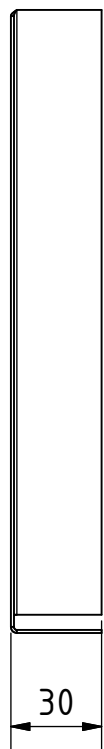
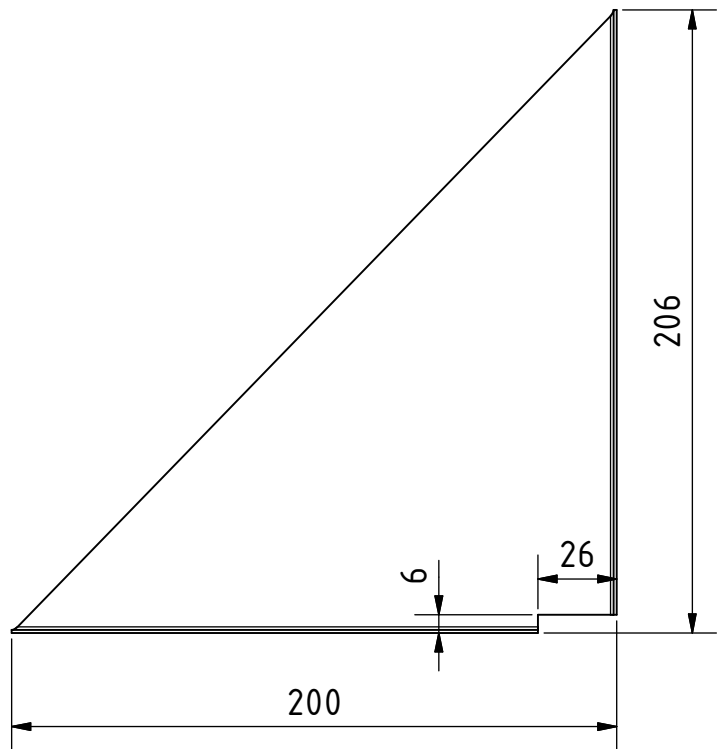
OHO e.V.

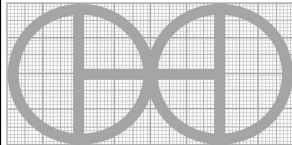


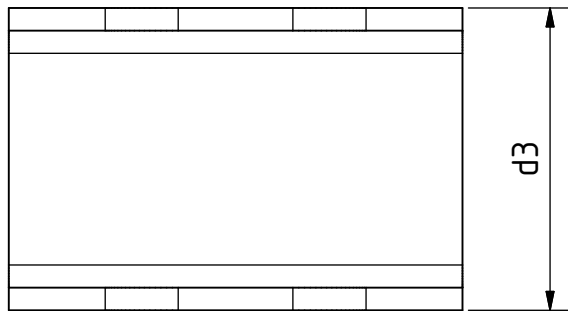
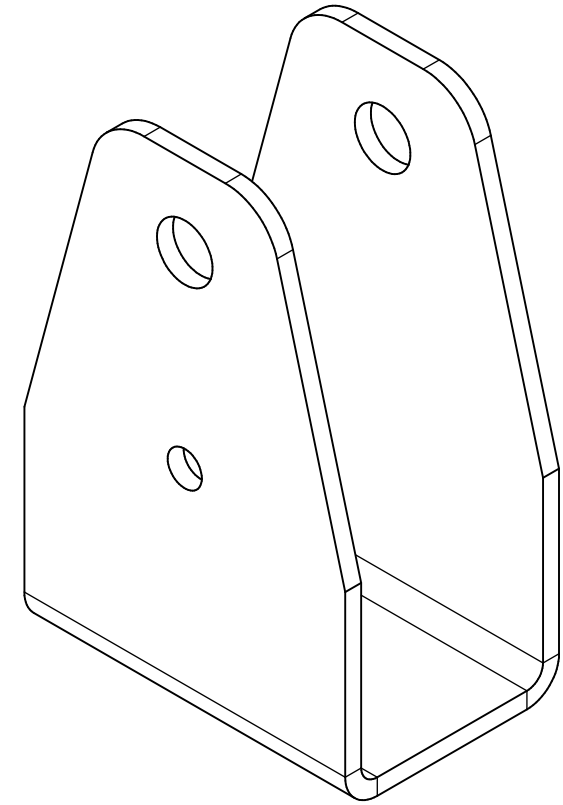
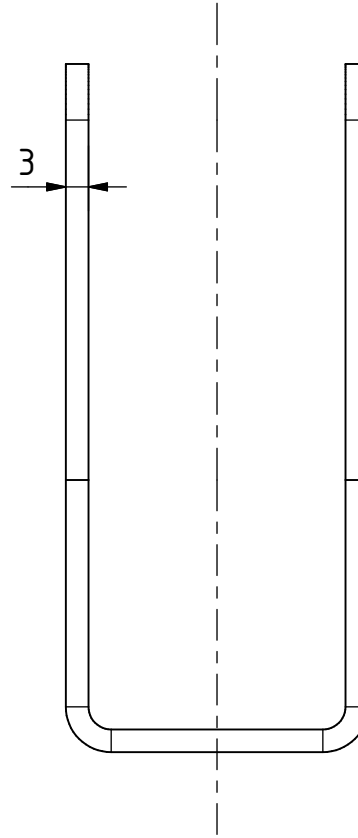
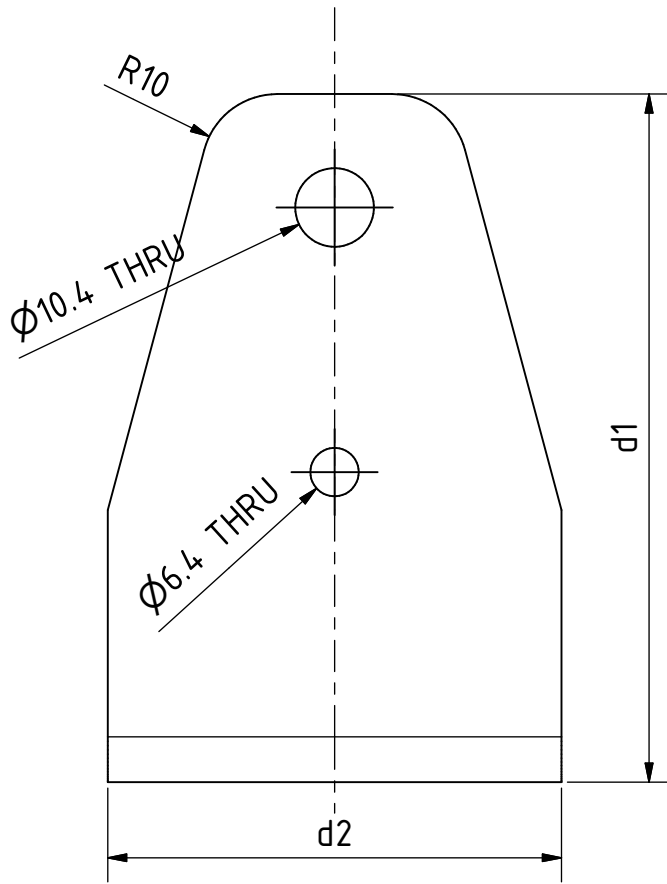
Equidistant perforations
at 30°



PROJECT	CREATED BY	APPROVED BY	DATE	VERSION
Vertical Drum Hemp Harvester	A. Morillo	D. Jaeger	28-05-2024	0.07
PART NAME	SPECIFICACIONES			CODE
Part 2.20.5	Sheet 1mm			2.20.5
DEVELOPED BY	REDESIGNED BY	FILENAME		QTY
		2.20.5.ipt		4
Hanfasser		LICENSE	DOC. TYPE	SHEET
		CC-BY-SA 4.0	Part	137 /215
		SCALE	2 : 15	

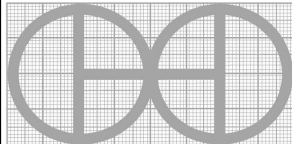


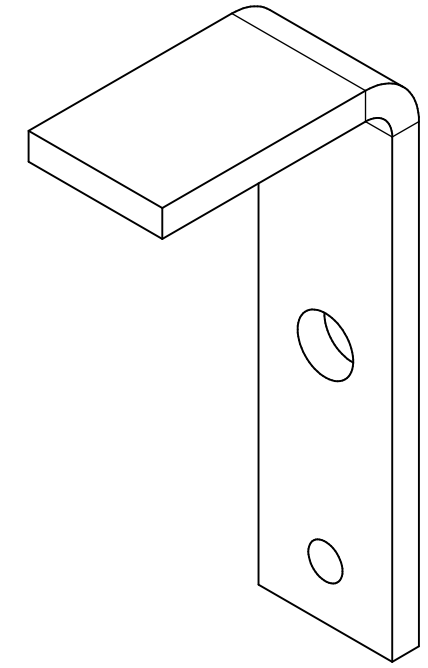
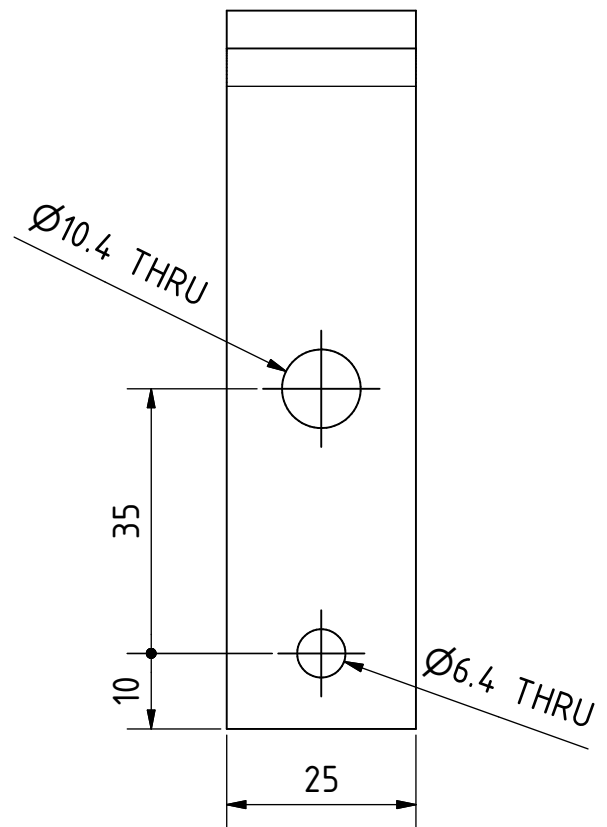
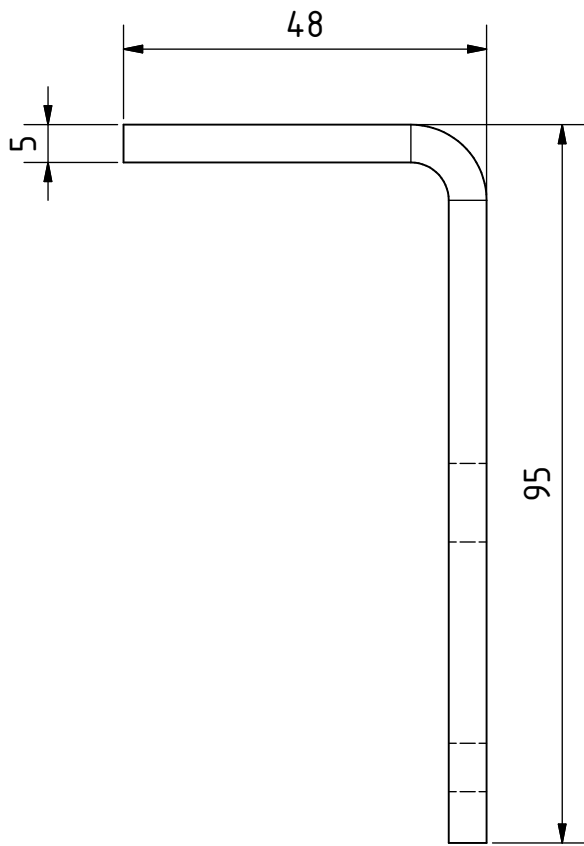
PROJECT	CREATED BY	APPROVED BY	DATE	VERSION
Vertical Drum Hemp Harvester	A. Morillo	D. Jaeger	28-05-2024	0.07
PART NAME	SPECIFICACIONES			CODE
Part 2.20.6	Sheet 1mm			2.20.6
DEVELOPED BY	REDESIGNED BY	FILENAME		QTY
		2.20.6.ipt		4
Hanfasser		LICENSE	DOC. TYPE	SHEET
		CC-BY-SA 4.0	Part	138 /215
		OHO e.V.	SCALE	
			2 : 5	

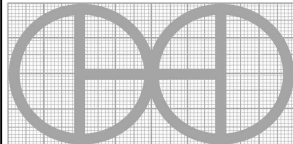


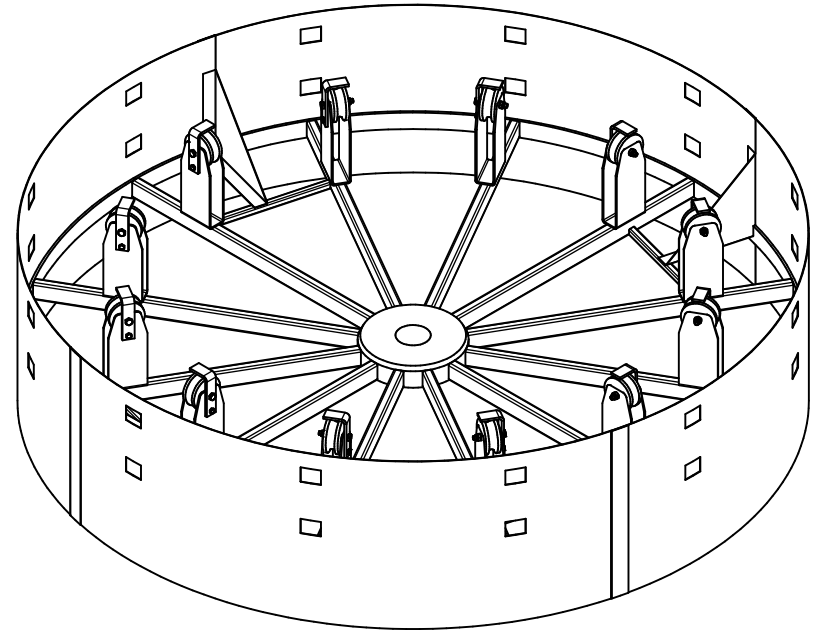
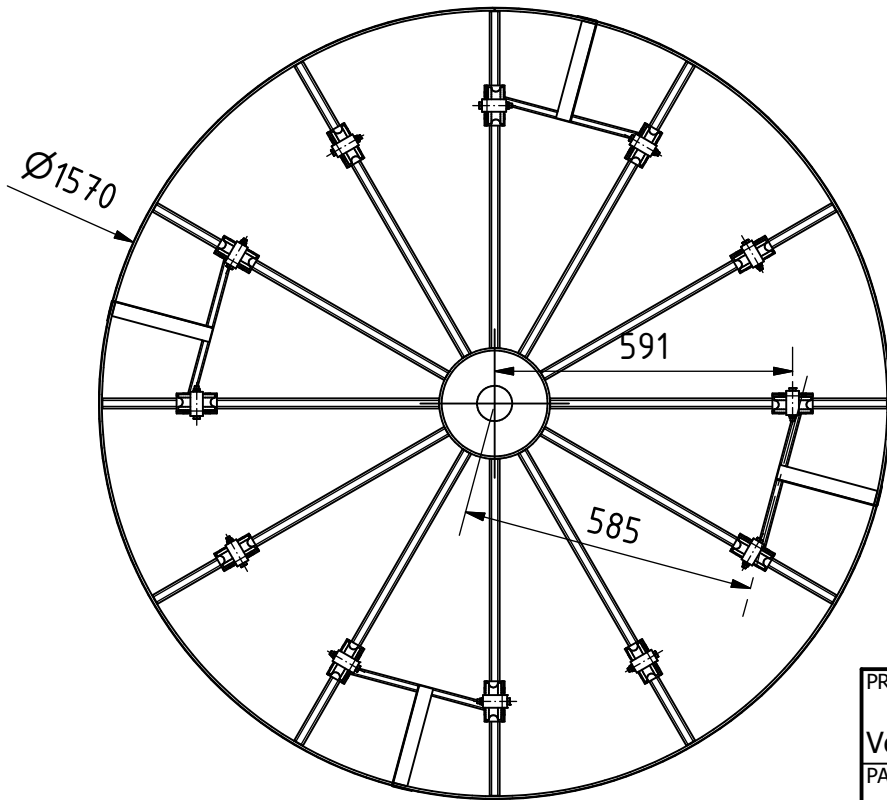
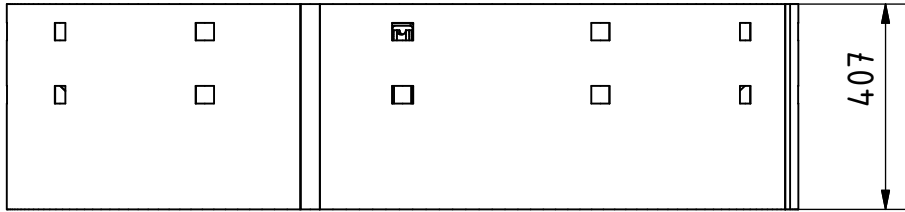
Size table			
Pos	d1	d2	d3
2.20.8_A (right)	91 mm	60 mm	40 mm
2.20.8_B (left)	97 mm	50mm	40 mm

This item was adjusted to avoid interference problems

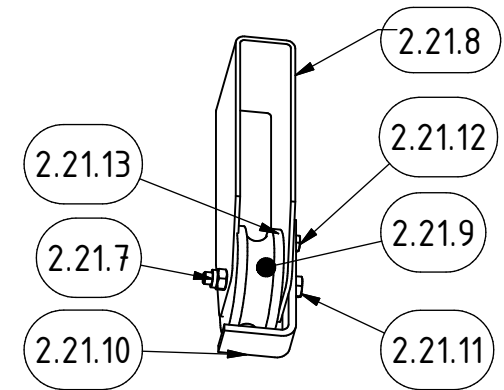
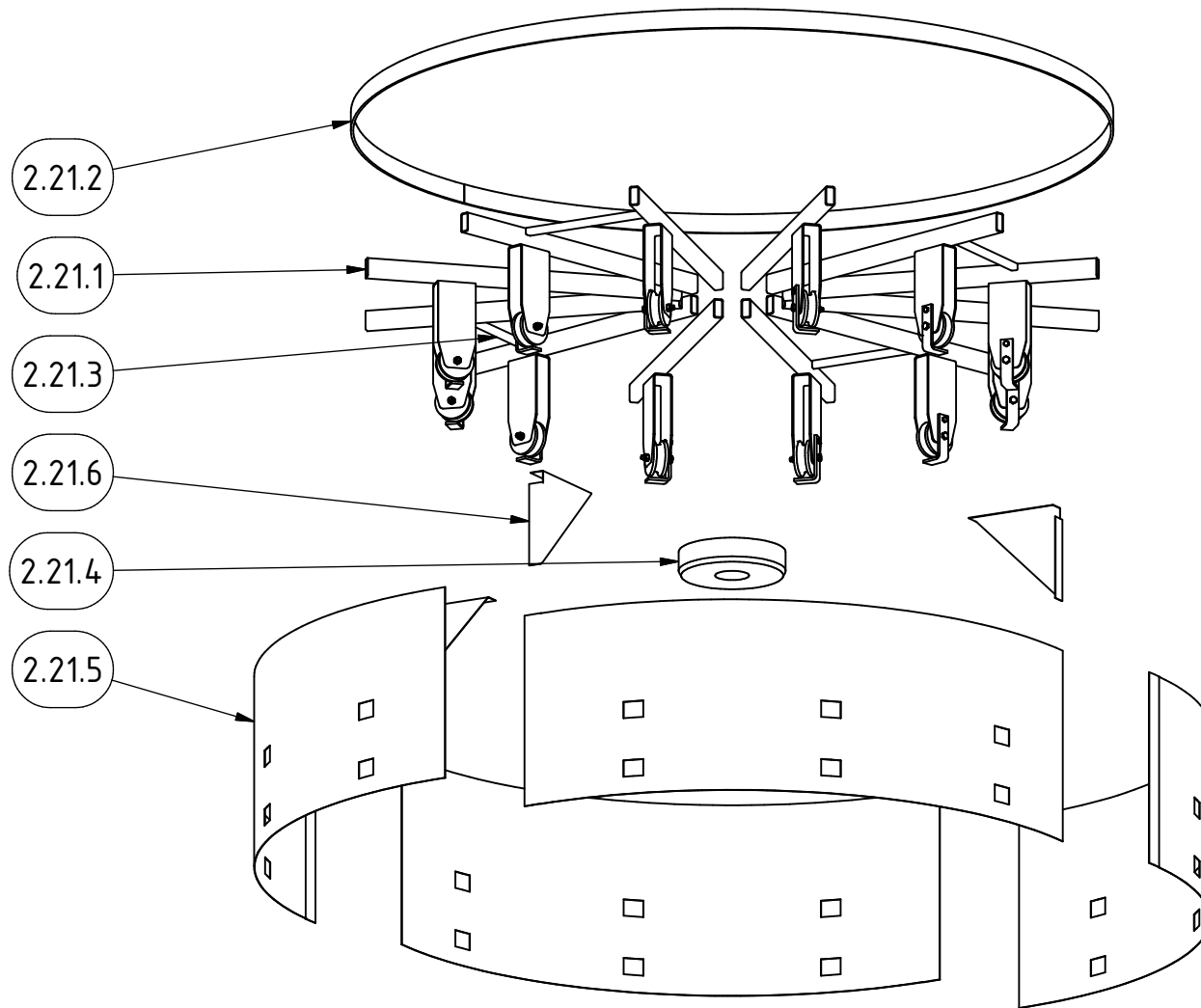
PROJECT	CREATED BY	APPROVED BY	DATE	VERSION
Vertical Drum Hemp Harvester	A. Morillo	D. Jaeger	28-05-2024	0.07
PART NAME	SPECIFICACIONES			CODE
Part 2.20.8	Steel 235J2			2.20.8
DEVELOPED BY	REDESIGNED BY	FILENAME		QTY
		2.20.8.ipt		12
Hanfasser		LICENSE	DOC. TYPE	SCALE
		CC-BY-SA 4.0	Part	1 : 1
				SHEET
				139 /215

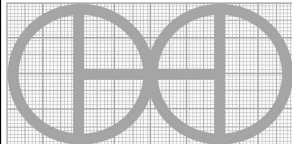


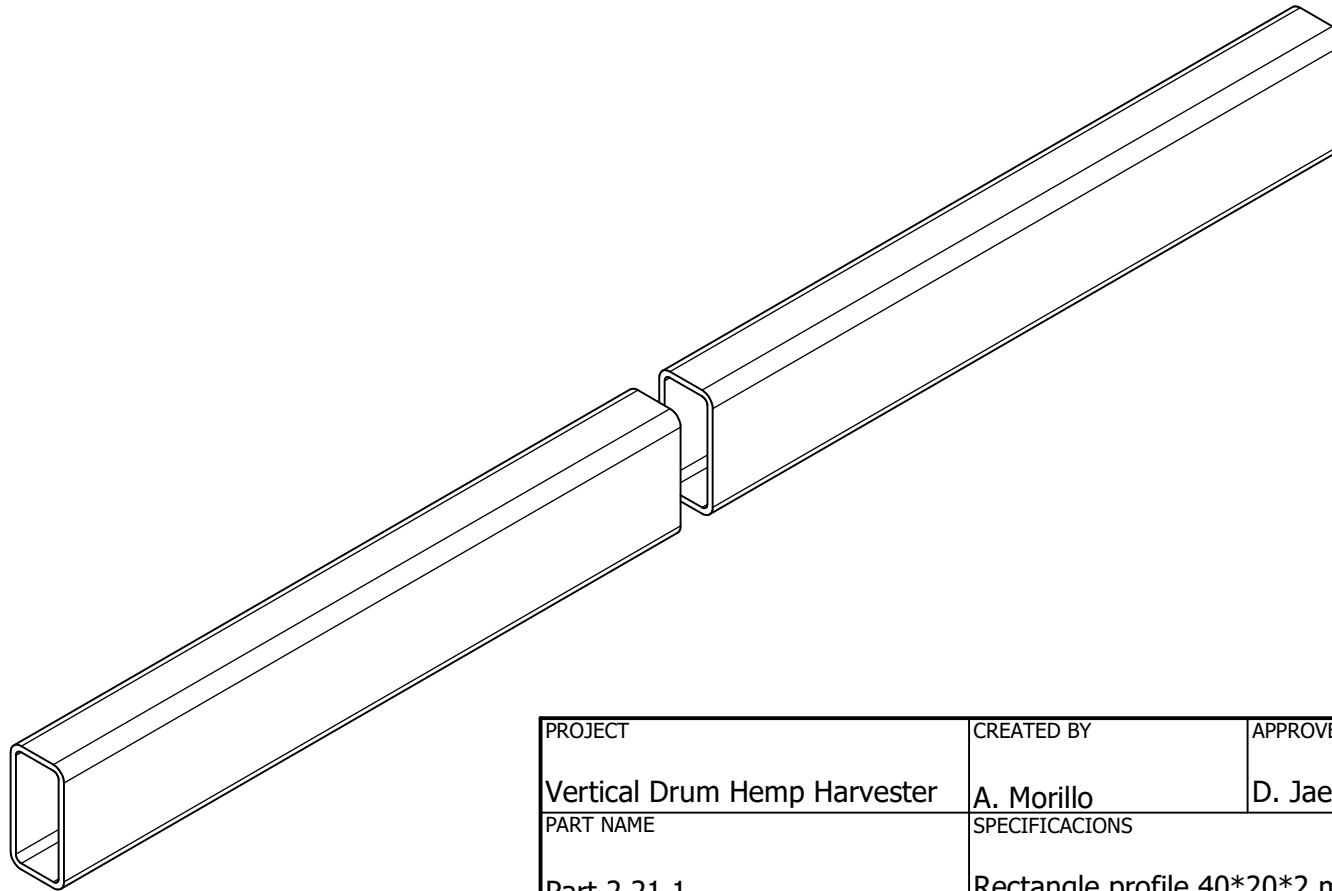
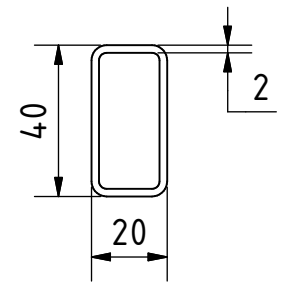
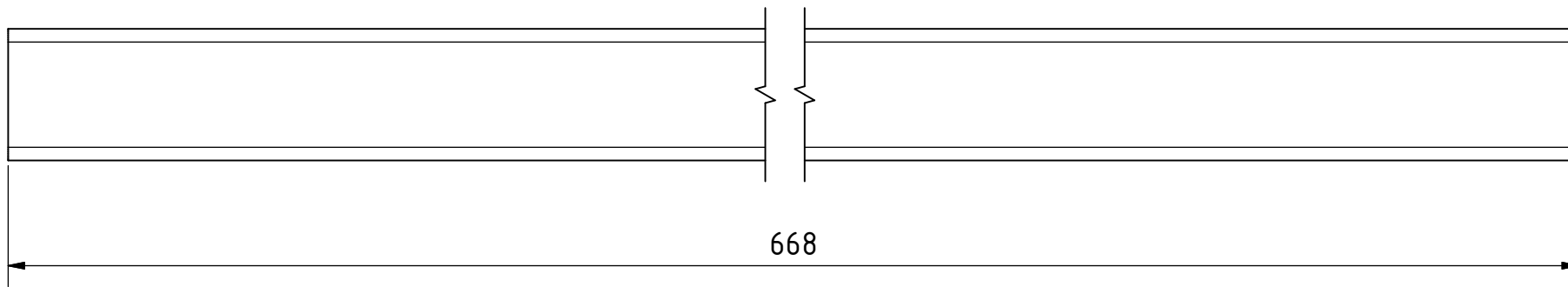
PROJECT	CREATED BY	APPROVED BY	DATE	VERSION
Vertical Drum Hemp Harvester	A. Morillo	D. Jaeger	28-05-2024	0.07
PART NAME	SPECIFICACIONES			CODE
Part 2.20.10	Flat bar 25*5 mm			2.20.10
DEVELOPED BY	REDESIGNED BY	FILENAME		QTY
		2.20.10.ipt		12
Hanfasser		LICENSE	DOC. TYPE	SCALE
		CC-BY-SA 4.0	Part	1 : 1
				SHEET
				140 /215

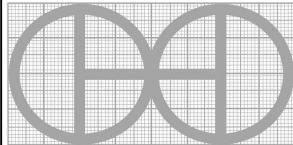


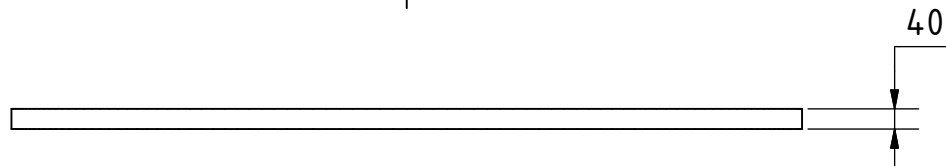
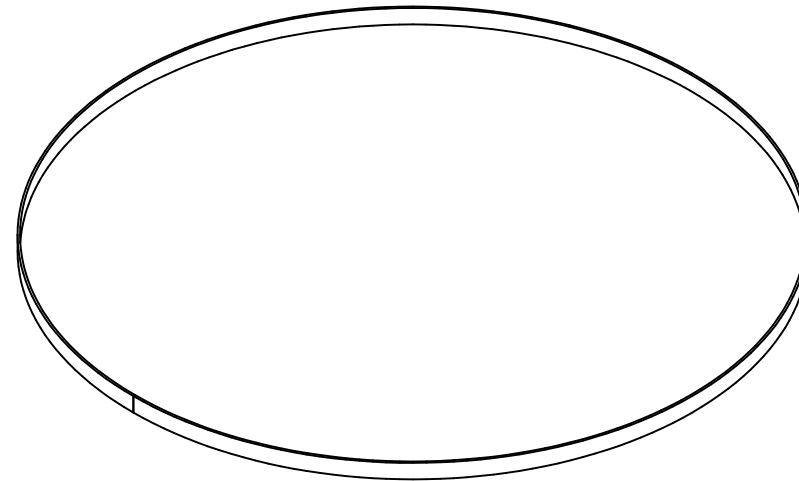
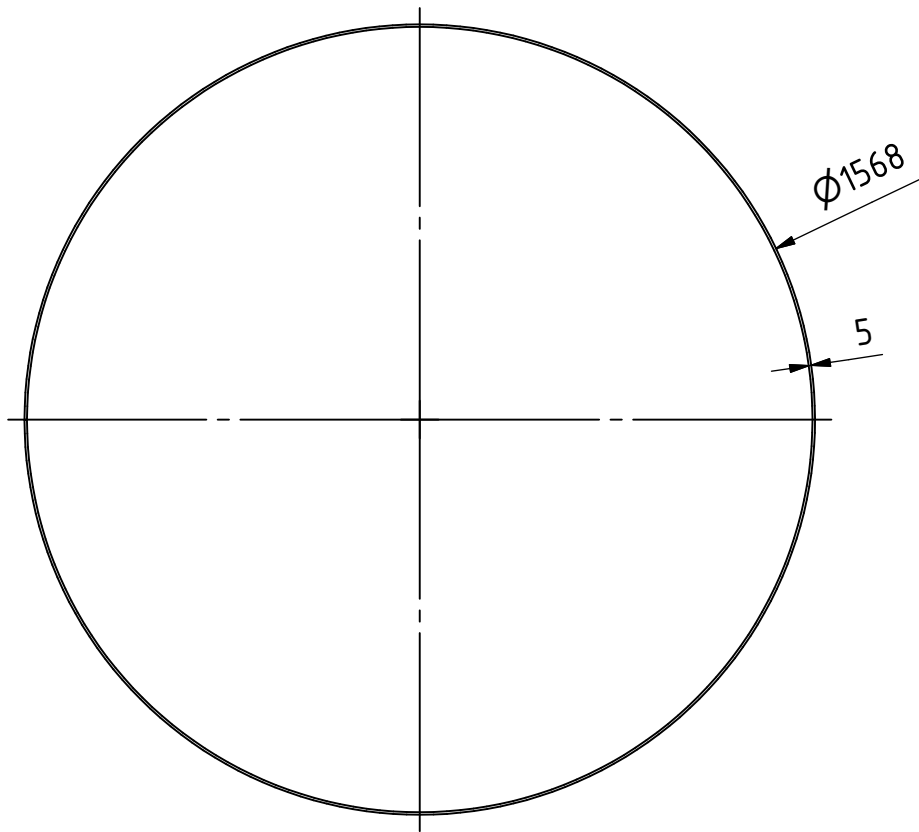
PROJECT	CREATED BY	APPROVED BY	DATE	VERSION
Vertical Drum Hemp Harvester	A. Morillo	D. Jaeger	28-05-2024	0.07
PART NAME	SPECIFICACIONES			CODE
Feed drum_top cpl				2.21.0
DEVELOPED BY	REDESIGNED BY	FILENAME		QTY
		2.21.iam		1
		LICENSE	DOC. TYPE	SCALE
		CC-BY-SA 4.0	Assembly	1 : 15
Handfasser				141 /215

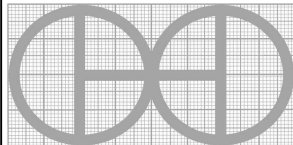


PROJECT		CREATED BY		APPROVED BY		DATE		VERSION	
Vertical Drum Hemp Harvester		A. Morillo		D. Jaeger		28-05-2024		0.07	
PART NAME				SPECIFICACIONES				CODE	
Feed drum_top cpl								2.21.0	
DEVELOPED BY			REDESIGNED BY			FILENAME			QTY
Hanfasser						2.21.ipn			1
LICENSE		DOC. TYPE		SCALE		SHEET			
CC-BY-SA 4.0		Assembly		1 : 15		142 /215			

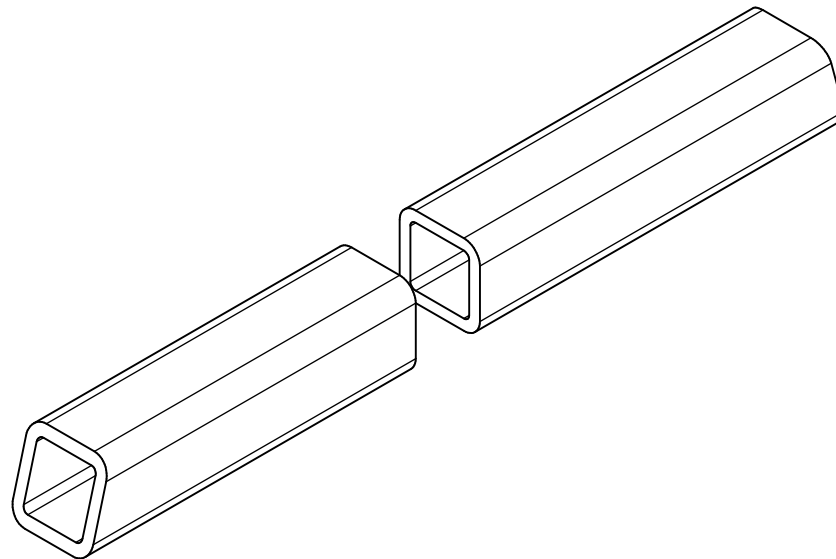
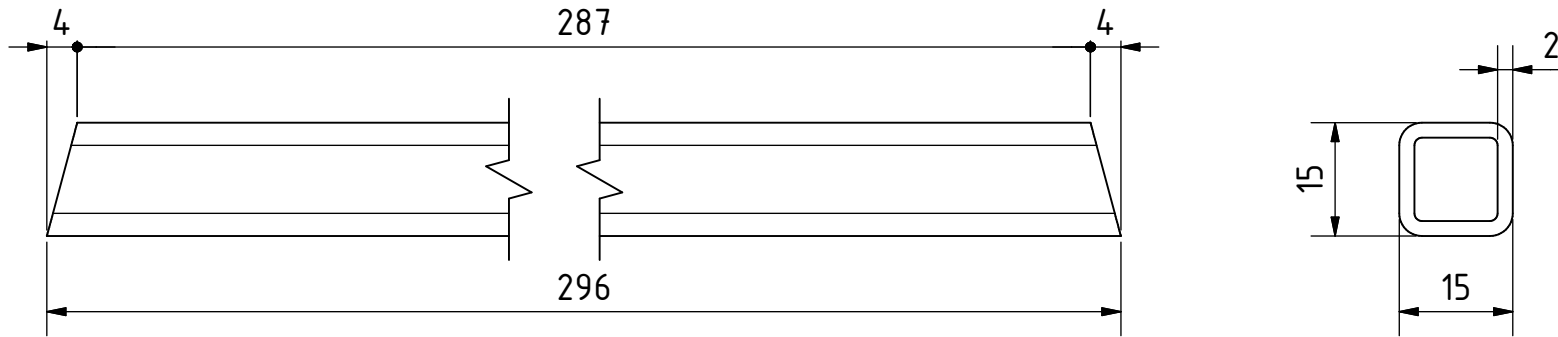


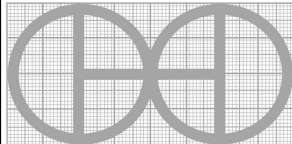
PROJECT	CREATED BY	APPROVED BY	DATE	VERSION	
Vertical Drum Hemp Harvester	A. Morillo	D. Jaeger	28-05-2024	0.07	
PART NAME	SPECIFICACIONES			CODE	
Part 2.21.1	Rectangle profile 40*20*2 mm			2.21.1	
DEVELOPED BY	REDESIGNED BY	FILENAME		QTY	
Hanfasser		OHO e.V. 2.21.1.ipt		12	
		LICENSE	DOC. TYPE	SCALE	SHEET
		CC-BY-SA 4.0	Part	1 : 2	143 /215

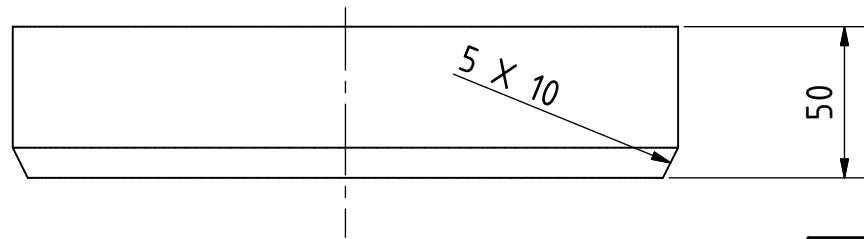
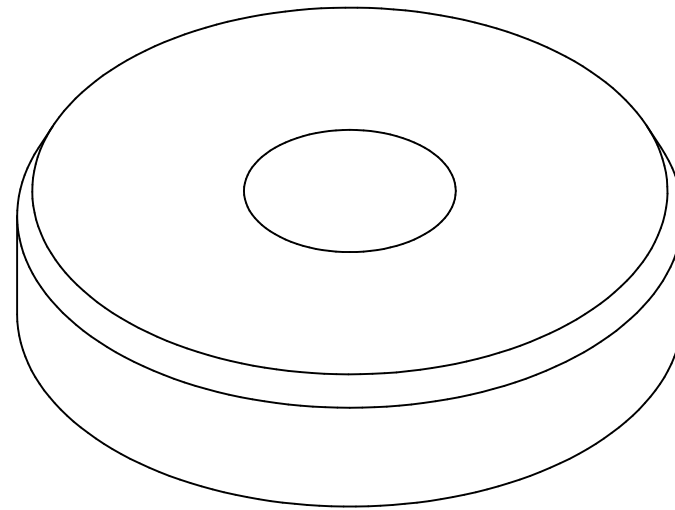
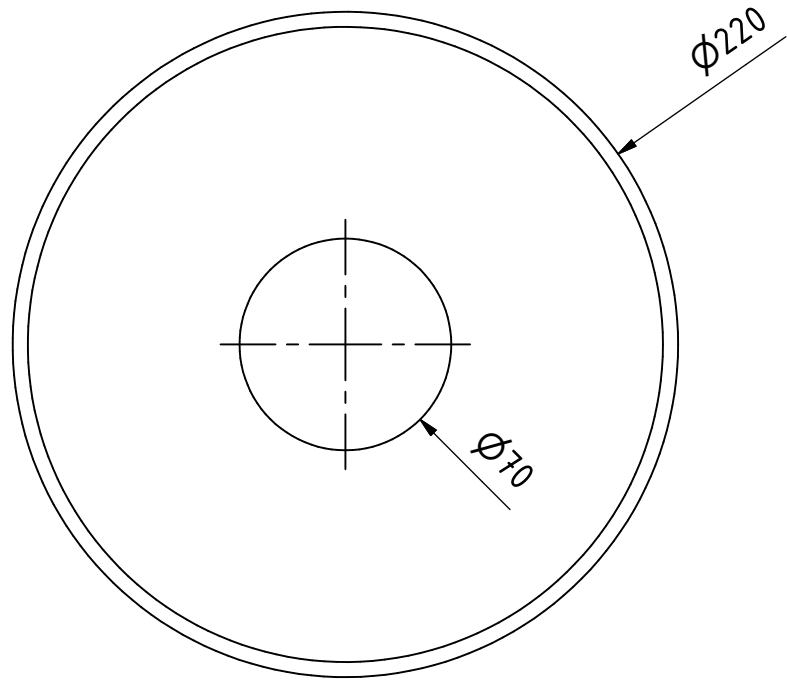


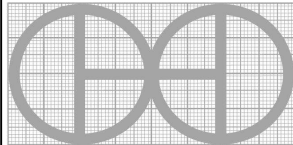
PROJECT	CREATED BY	APPROVED BY	DATE	VERSION
Vertical Drum Hemp Harvester	A. Morillo	D. Jaeger	28-05-2024	0.07
PART NAME	SPECIFICACIONES			CODE
Part 2.21.2	Flat bar 40*5 mm			2.21.2
DEVELOPED BY	REDESIGNED BY	FILENAME		QTY
Hanfasser		2.21.2.ipt		1
		LICENSE	DOC. TYPE	SCALE
		CC-BY-SA 4.0	Part	1 : 15 144 /215

OHO e.V.

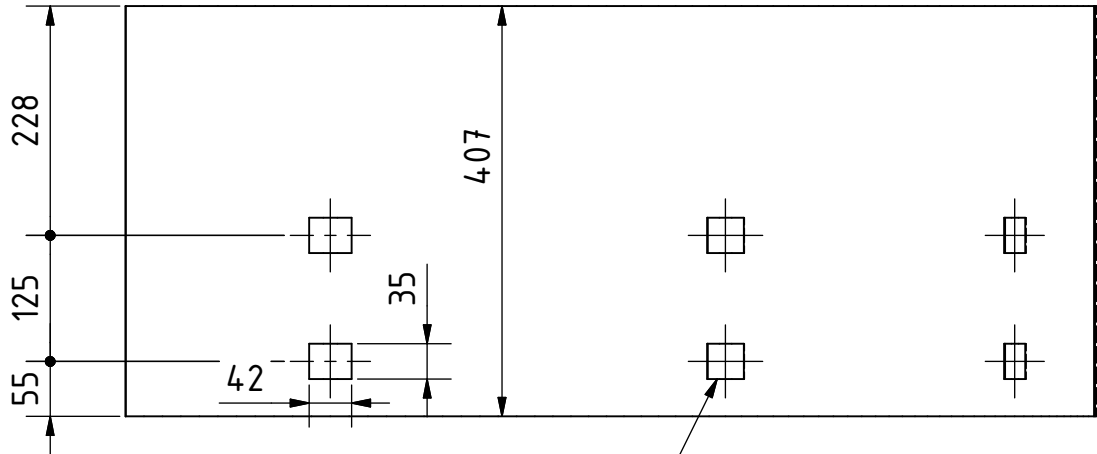
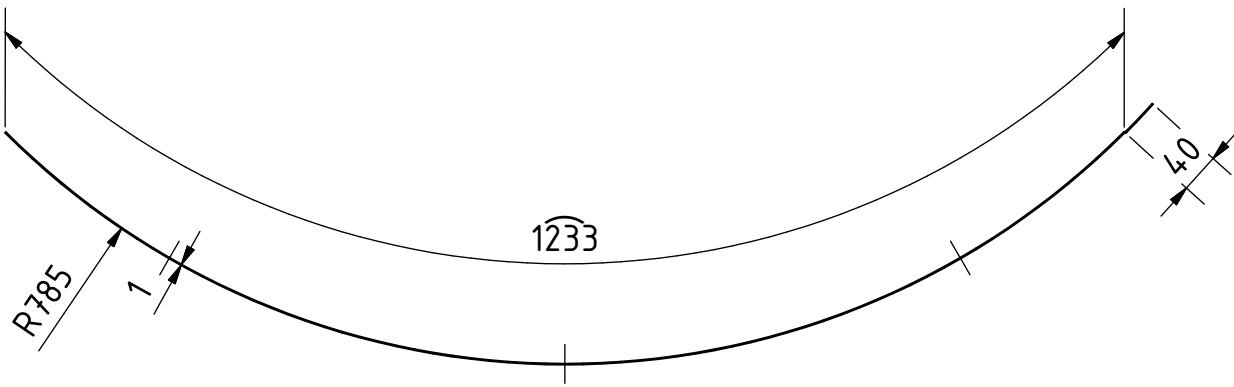


PROJECT	CREATED BY	APPROVED BY	DATE	VERSION	
Vertical Drum Hemp Harvester	A. Morillo	D. Jaeger	28-05-2024	0.07	
PART NAME	SPECIFICACIONES			CODE	
Part 2.21.3	Square profile 15*2 mm			2.21.3	
DEVELOPED BY	REDESIGNED BY	FILENAME		QTY	
Hanfasser		2.21.3.ipt		4	
		LICENSE	DOC. TYPE	SCALE	SHEET
		CC-BY-SA 4.0	Part	1 : 1	145 /215

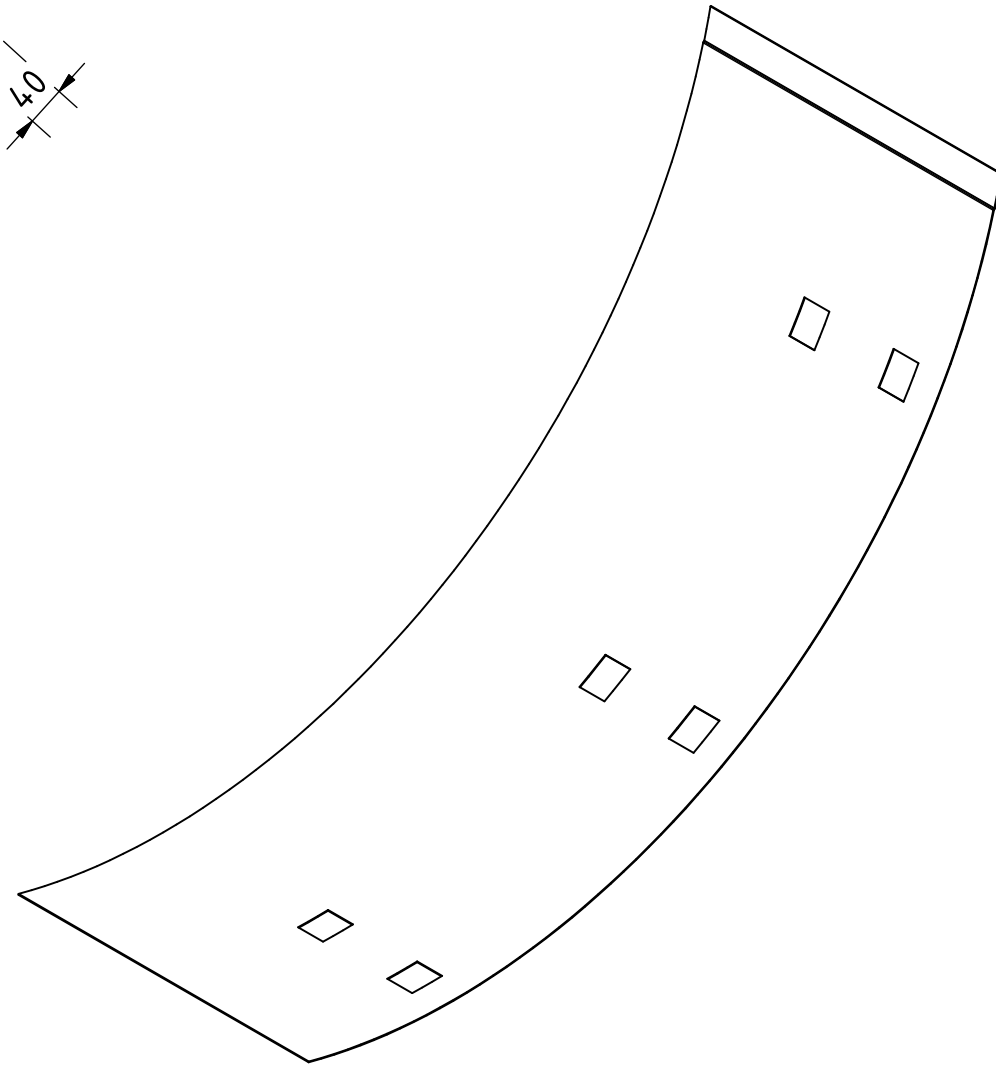


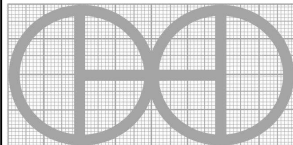
PROJECT	CREATED BY	APPROVED BY	DATE	VERSION	
Vertical Drum Hemp Harvester	A. Morillo	D. Jaeger	28-05-2024	0.07	
PART NAME	SPECIFICACIONES			CODE	
Part 2.21.4	Cast Iron (*)			2.21.4	
DEVELOPED BY	REDESIGNED BY	FILENAME		QTY	
Hanfasser		2.21.4.ipt		1	
		LICENSE	DOC. TYPE	SCALE	SHEET
		CC-BY-SA 4.0	Part	2 : 5	146 /215

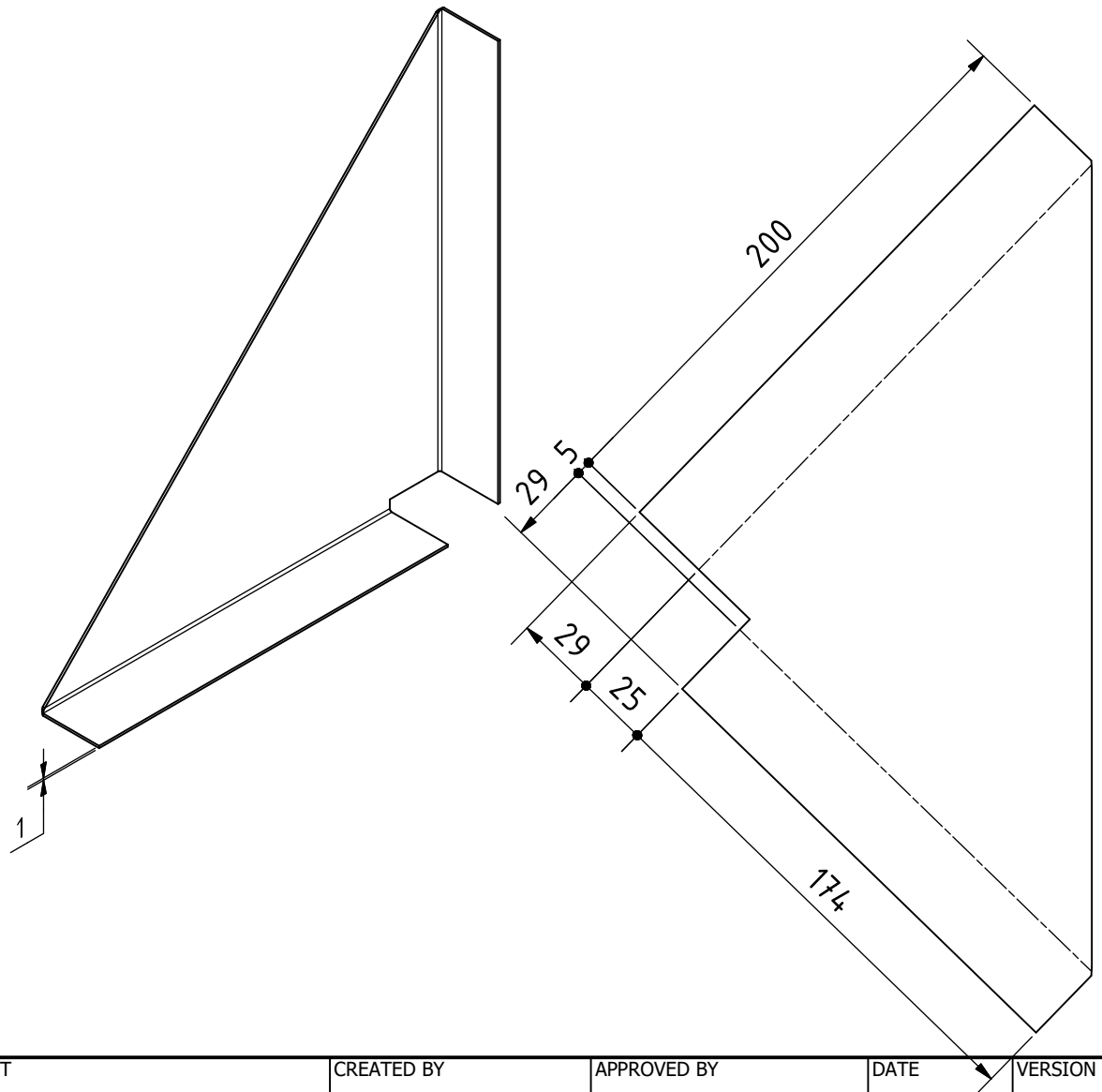
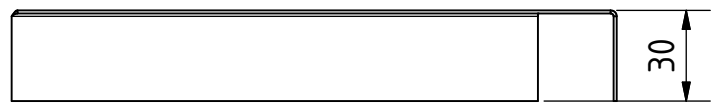
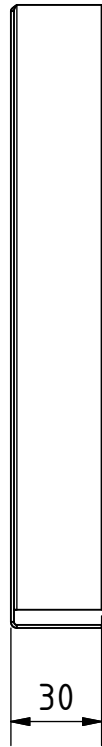
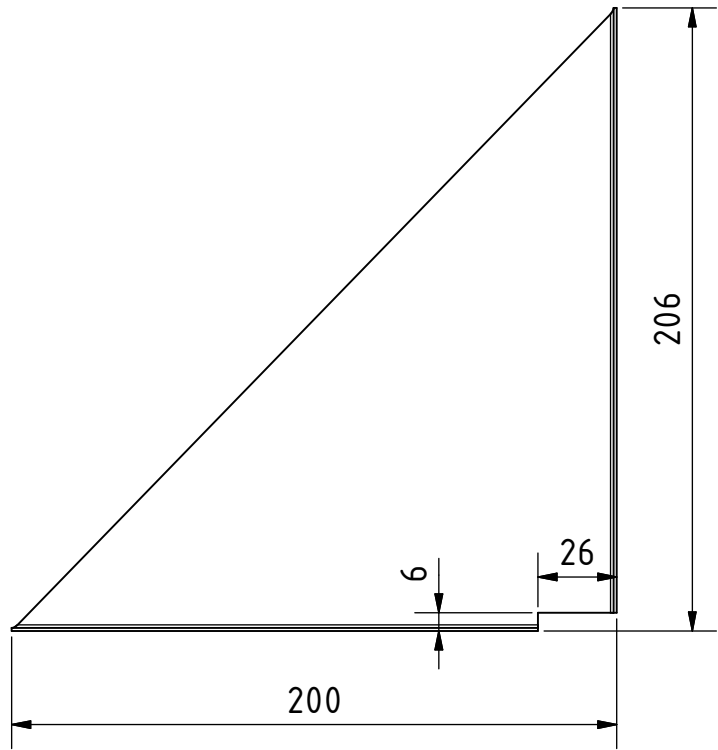
OHO e.V.

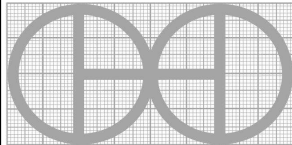


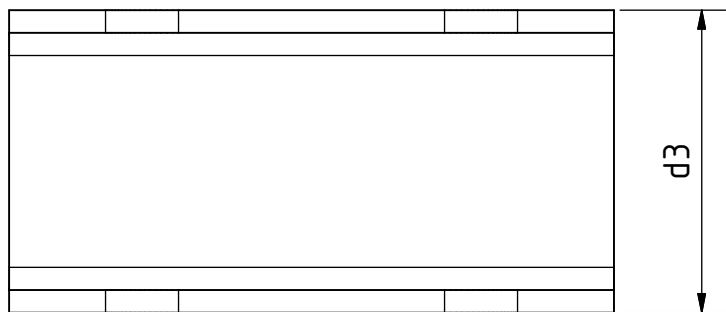
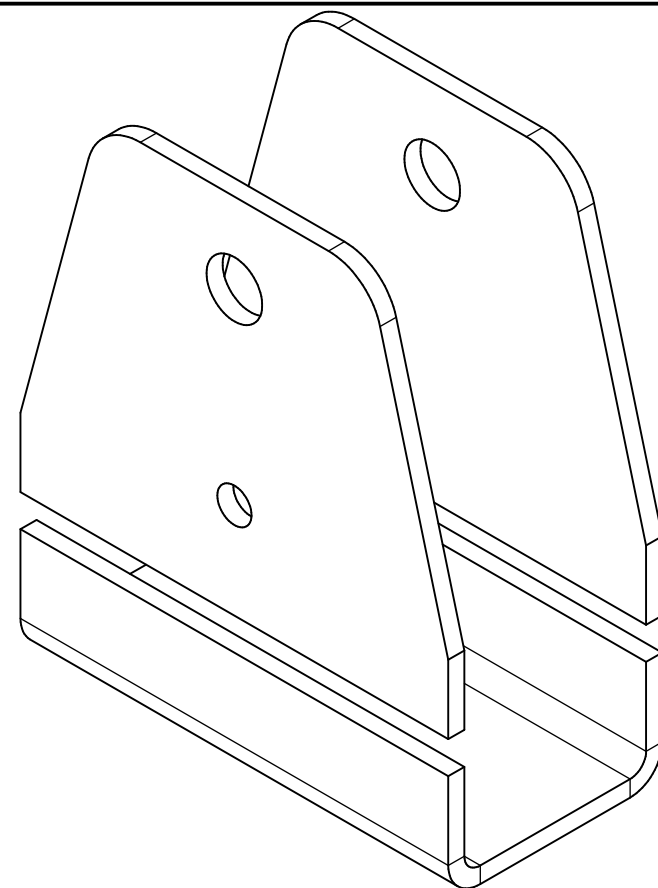
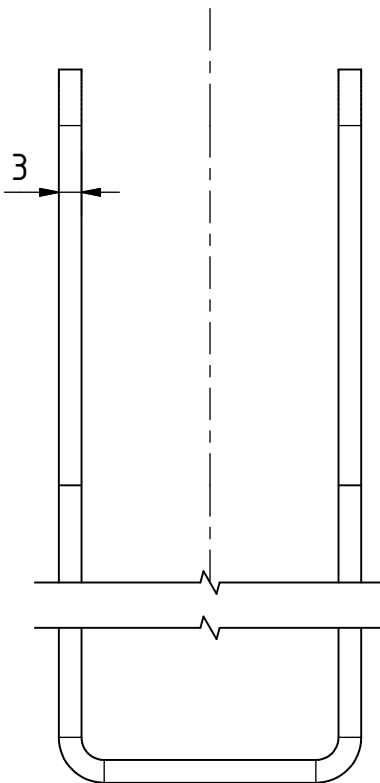
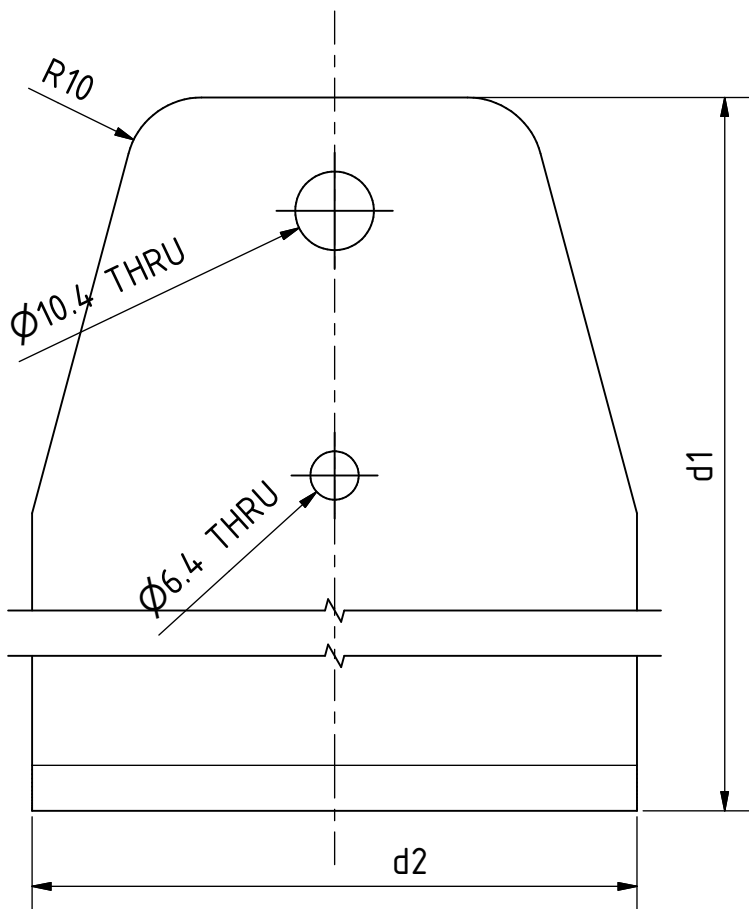
Equidistant perforations
at 30°



PROJECT	CREATED BY	APPROVED BY	DATE	VERSION
Vertical Drum Hemp Harvester	A. Morillo	D. Jaeger	28-05-2024	0.07
PART NAME	SPECIFICACIONES			CODE
Part 2.21.5	Sheet 1mm			2.21.5
DEVELOPED BY	REDESIGNED BY	FILENAME		QTY
		2.21.5.ipt		4
		LICENSE	DOC. TYPE	SCALE
Hanfasser		CC-BY-SA 4.0	Part	2 : 15
				SHEET
				147 /215

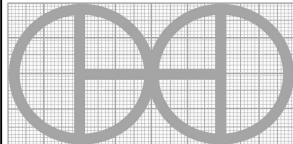


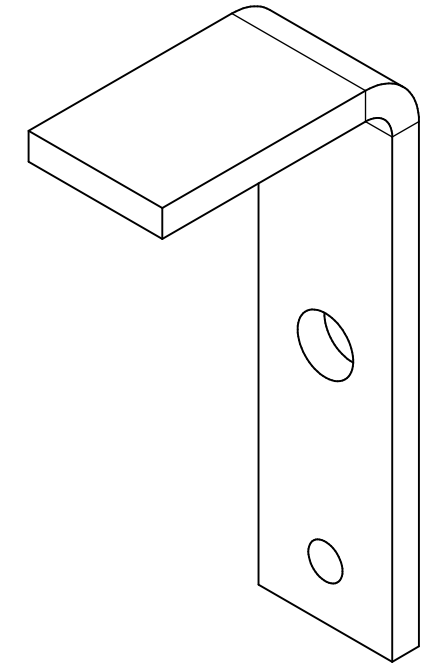
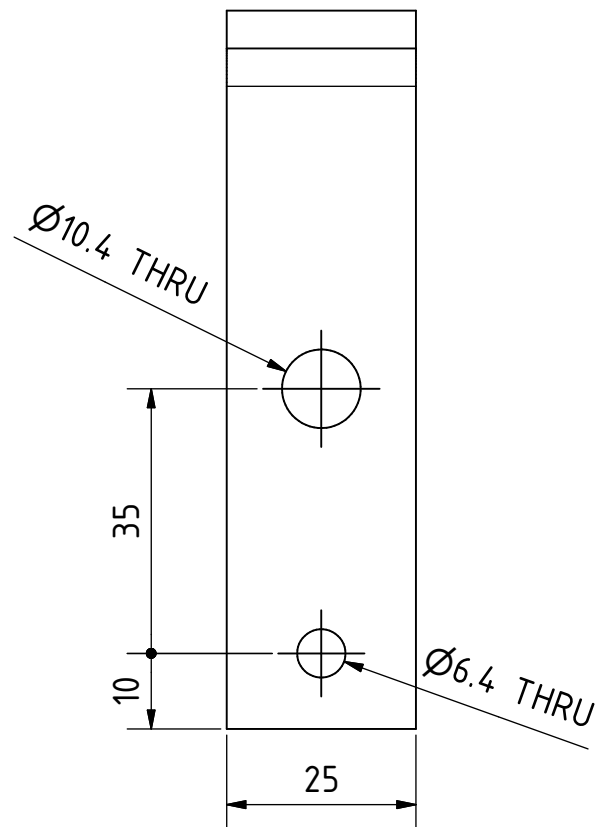
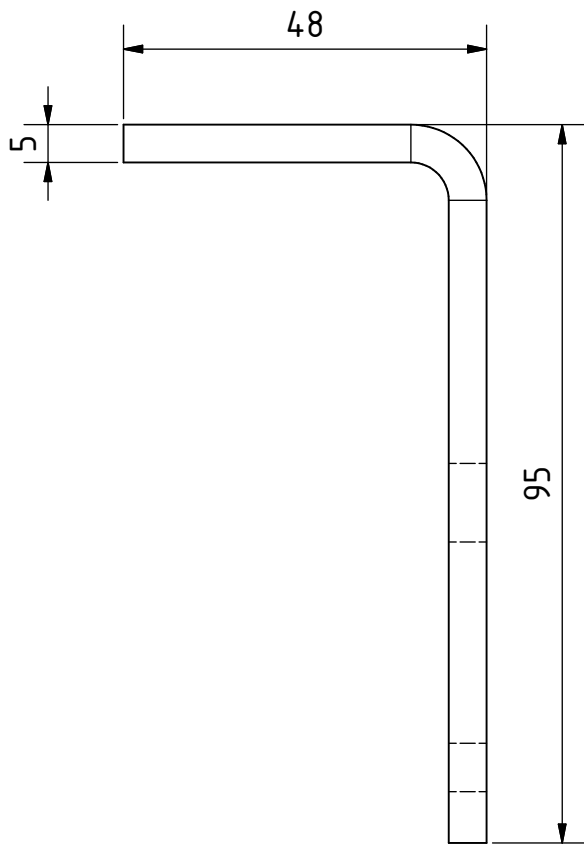
PROJECT	CREATED BY	APPROVED BY	DATE	VERSION
Vertical Drum Hemp Harvester	A. Morillo	D. Jaeger	28-05-2024	0.07
PART NAME	SPECIFICACIONES			CODE
Part 2.21.6	Sheet 1mm			2.21.6
DEVELOPED BY	REDESIGNED BY	FILENAME		QTY
		2.21.6.ipt		4
Hanfasser		LICENSE	DOC. TYPE	SHEET
		CC-BY-SA 4.0	Part	148 /215
		OHO e.V.	SCALE	
			2 : 5	

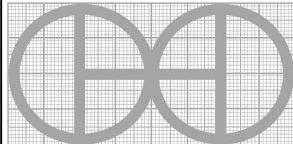


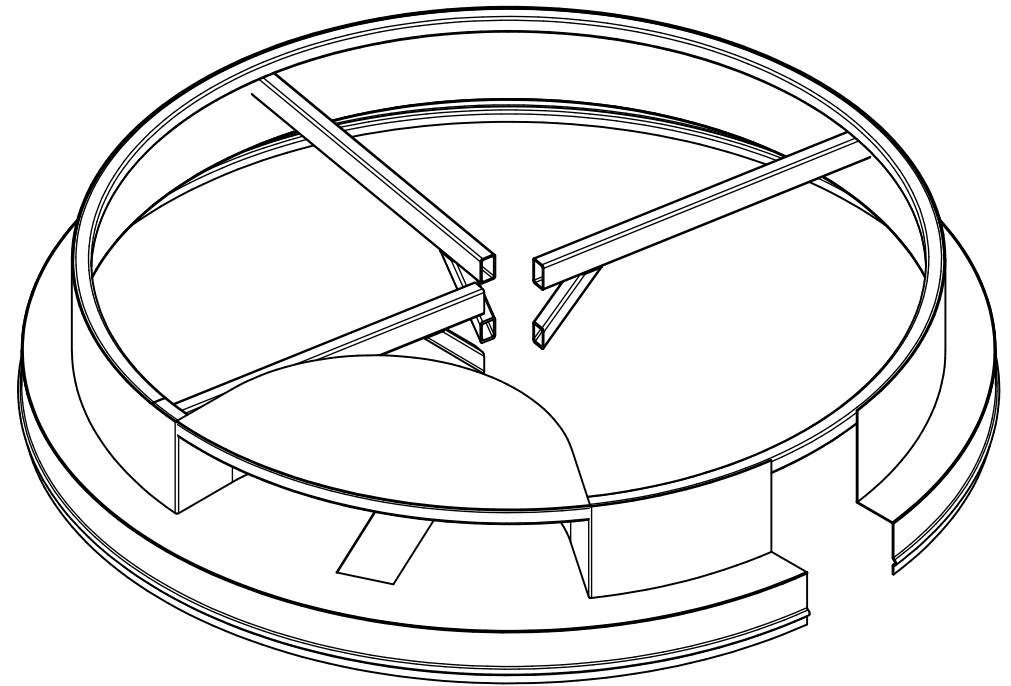
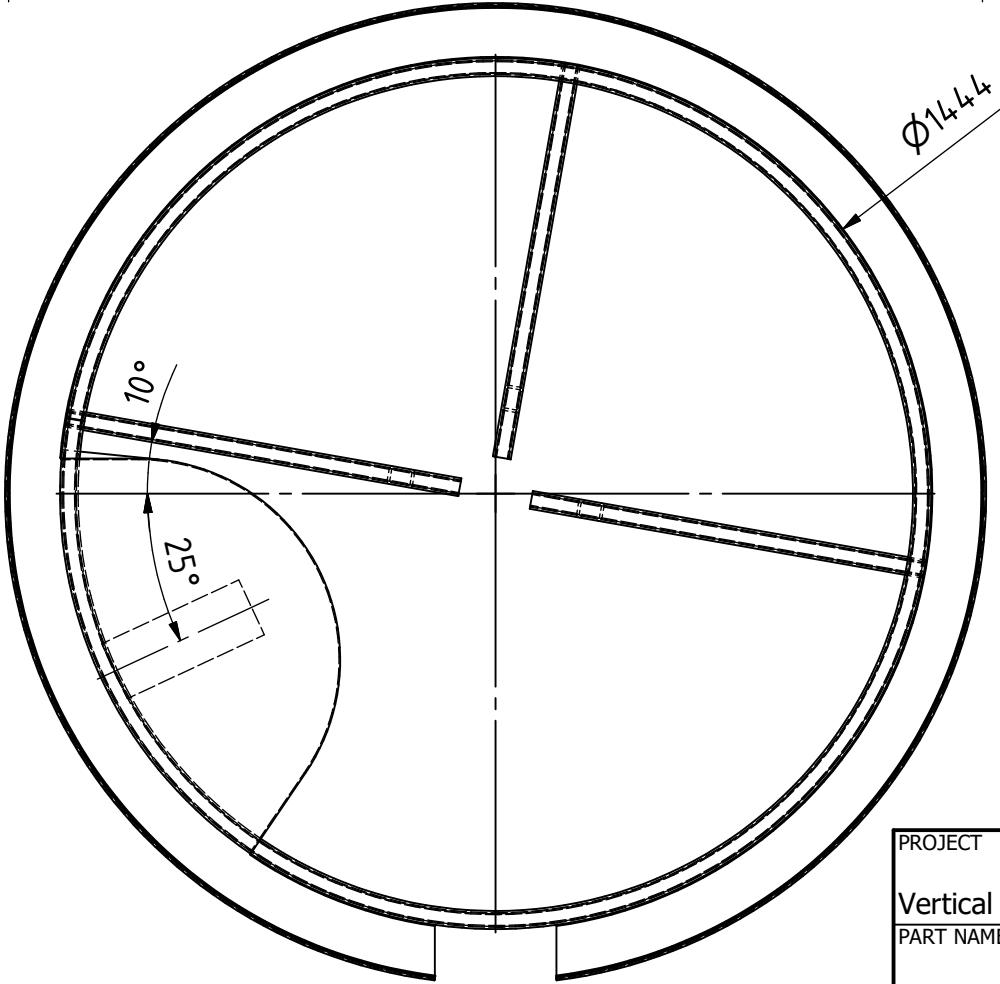
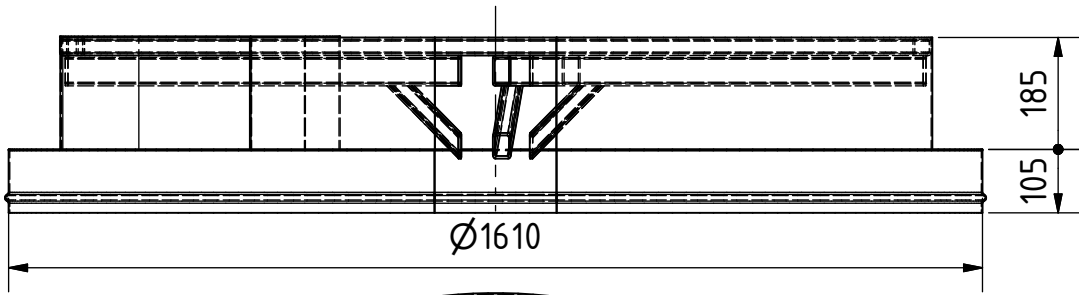
Size table			
Pos	d1	d2	d3
2.21.8_A (right)	185 mm	80 mm	40 mm
2.21.8_B (left)	190 mm	80 mm	40 mm

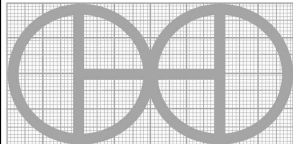
This item was adjusted to avoid interference problems

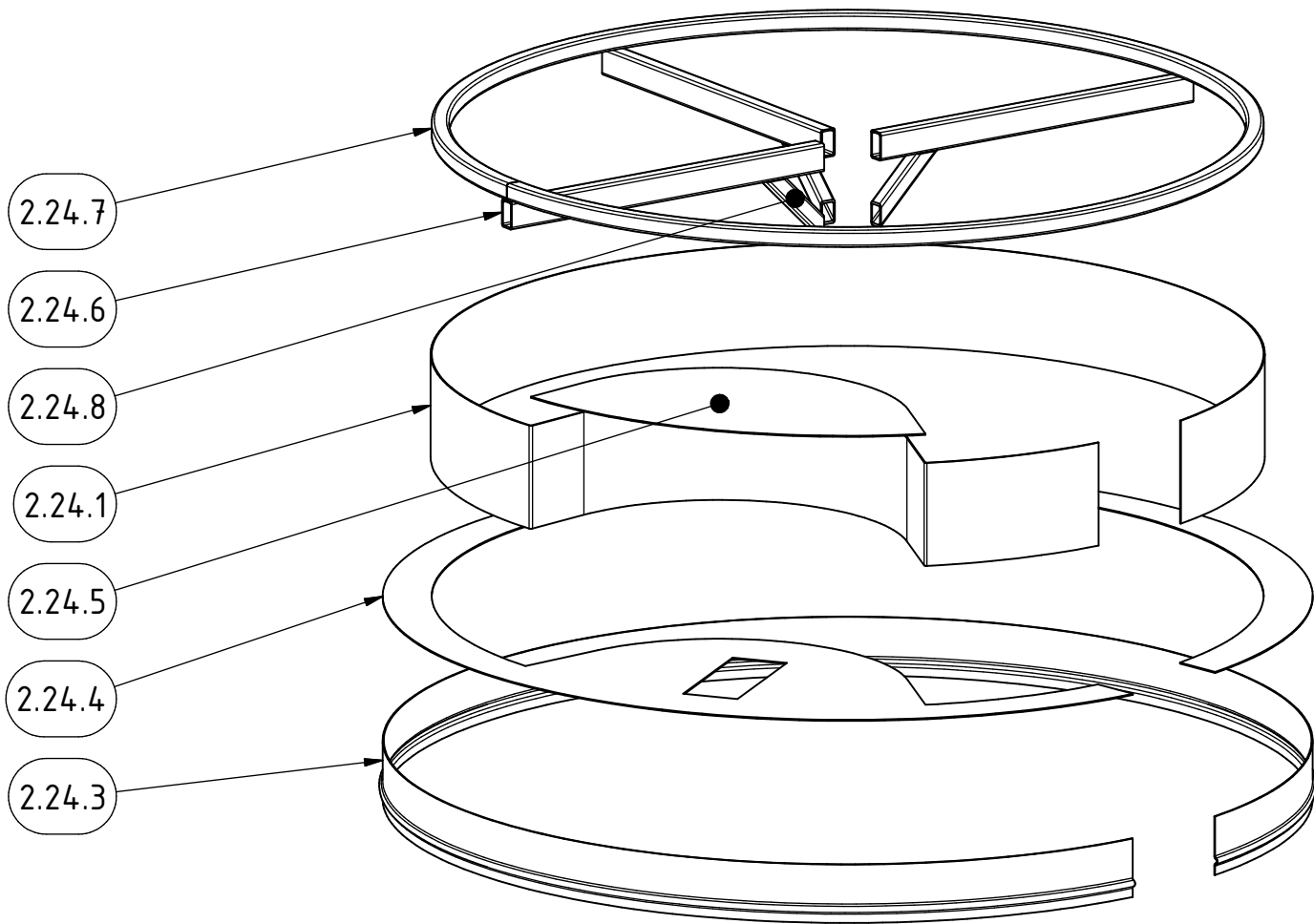
PROJECT	CREATED BY	APPROVED BY	DATE	VERSION
Vertical Drum Hemp Harvester	A. Morillo	D. Jaeger	28-05-2024	0.07
PART NAME	SPECIFICACIONES			CODE
Part 2.21.8	Steel 235J2			2.21.8
DEVELOPED BY	REDESIGNED BY	FILENAME		QTY
		2.21.8.ipt		12
		LICENSE	DOC. TYPE	SHEET
Hanfasser		CC-BY-SA 4.0	Part	1 : 1 149 /215

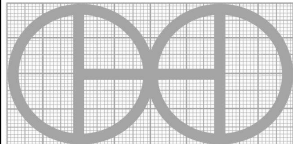


PROJECT	CREATED BY	APPROVED BY	DATE	VERSION
Vertical Drum Hemp Harvester	A. Morillo	D. Jaeger	28-05-2024	0.07
PART NAME	SPECIFICACIONES			CODE
Part 2.21.10	Flat bar 25*5 mm			2.21.10
DEVELOPED BY	REDESIGNED BY	FILENAME		QTY
		2.21.10.ipt		12
Hanfasser		LICENSE	DOC. TYPE	SCALE
		CC-BY-SA 4.0	Part	1 : 1
				SHEET
				150 /215

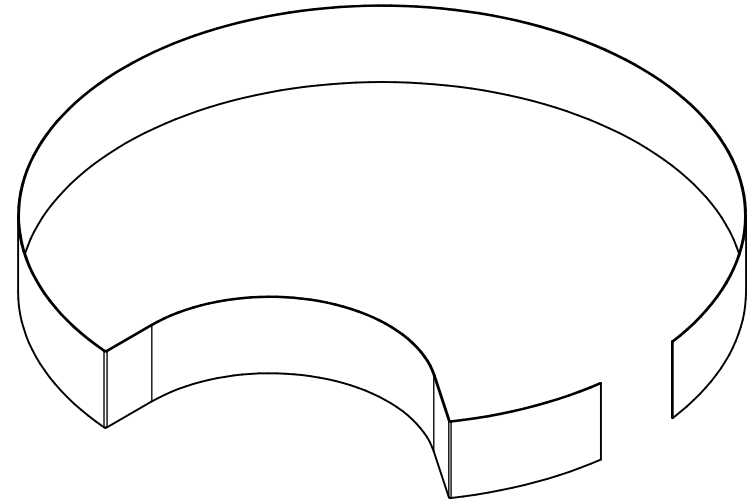
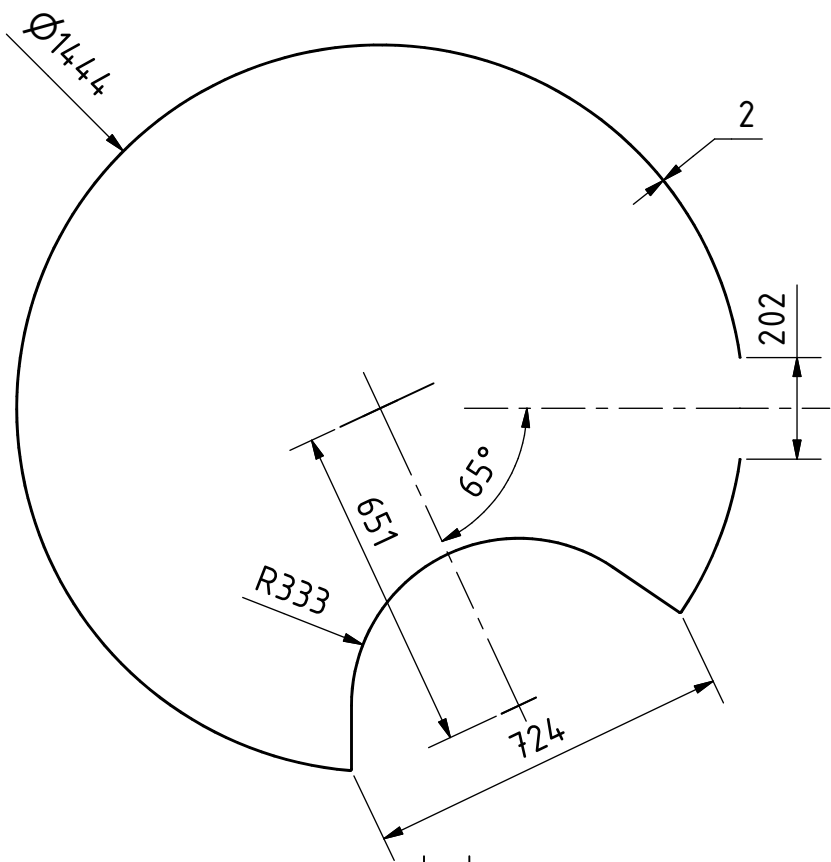


PROJECT	CREATED BY	APPROVED BY	DATE	VERSION
Vertical Drum Hemp Harvester	A. Morillo	D. Jaeger	28-05-2024	0.07
PART NAME	SPECIFICACIONES			CODE
Feeding drums 2				2.24.0
DEVELOPED BY	REDESIGNED BY	FILENAME		QTY
		2.24.iam		1
Hanfasser		LICENSE	DOC. TYPE	SCALE
		CC-BY-SA 4.0	Assembly	2 : 25
				SHEET
				151 /215

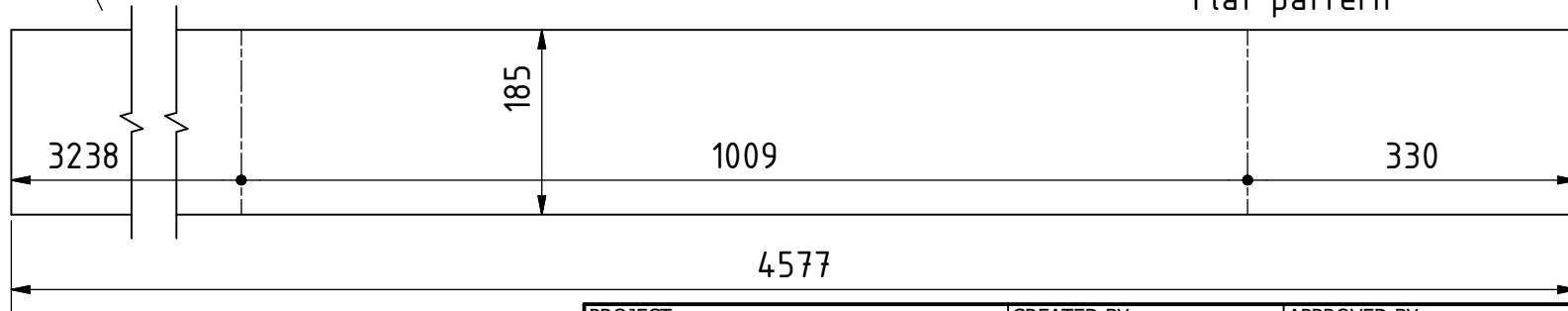


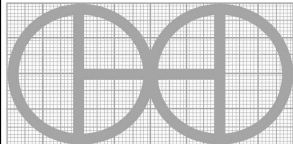
PROJECT	CREATED BY	APPROVED BY	DATE	VERSION
Vertical Drum Hemp Harvester	A. Morillo	D. Jaeger	28-05-2024	0.07
PART NAME	SPECIFICACIONES			CODE
Feeding drums 2				2.24.0
DEVELOPED BY	REDESIGNED BY	FILENAME		QTY
		2.24.ipn		1
		LICENSE	DOC. TYPE	SCALE
Hanfasser		CC-BY-SA 4.0	Assembly	2 : 25
				SHEET
				152 /215

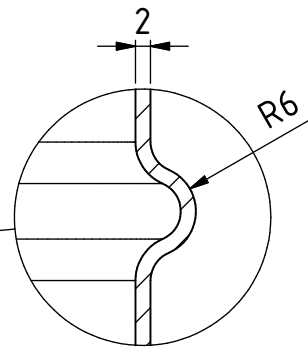
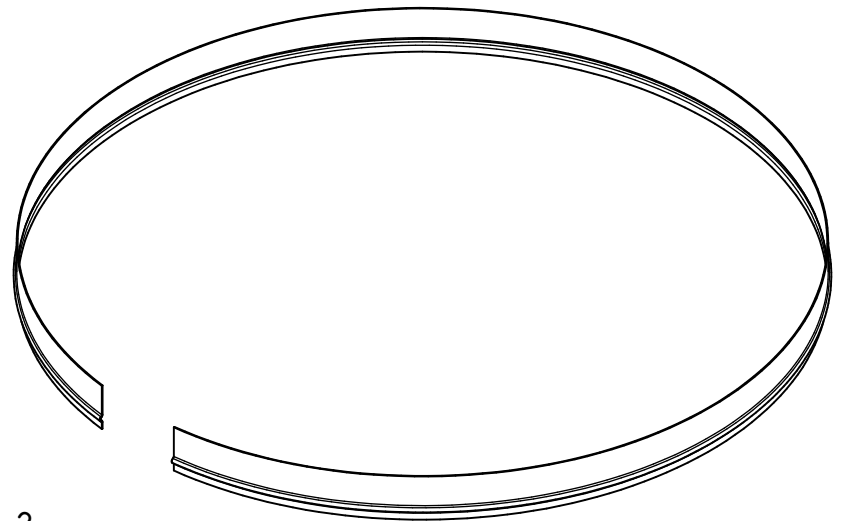
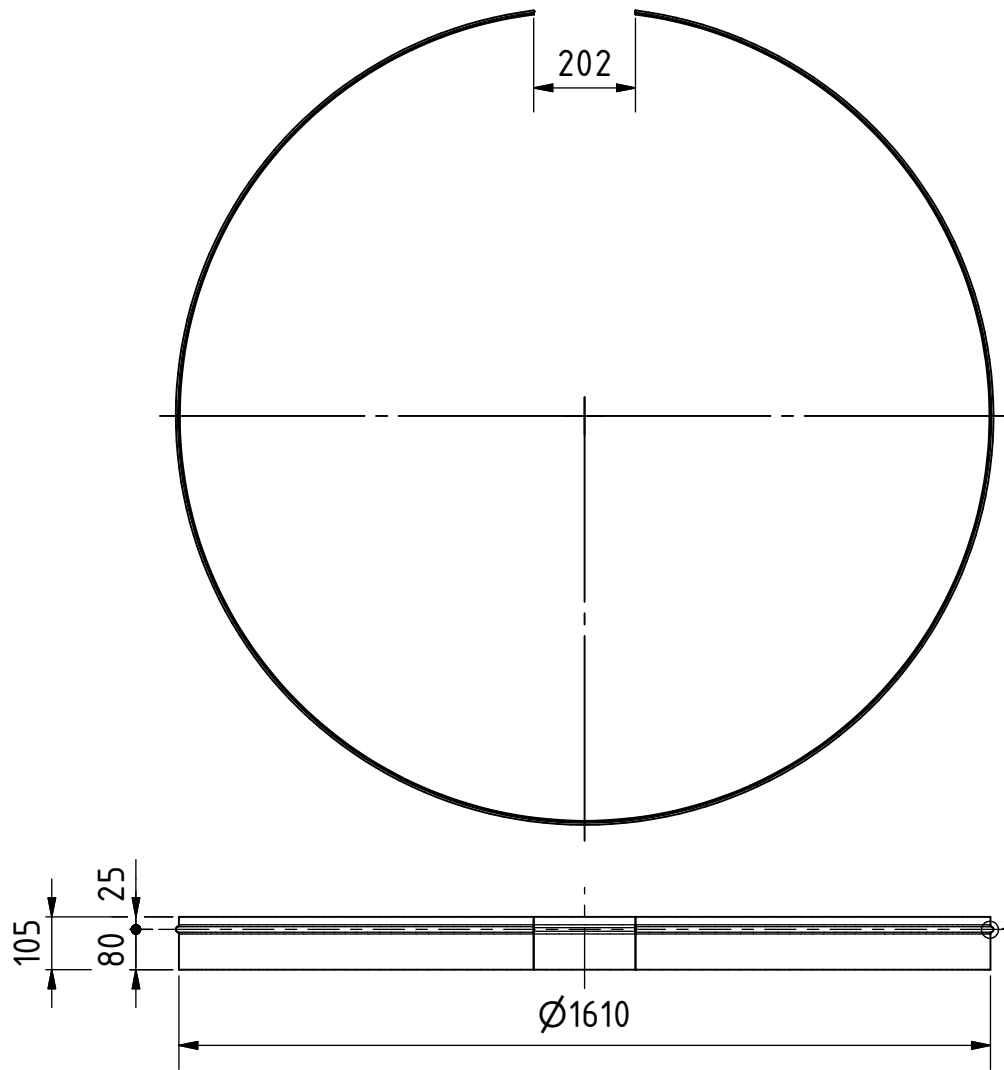
OHO e.V.

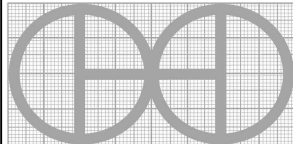


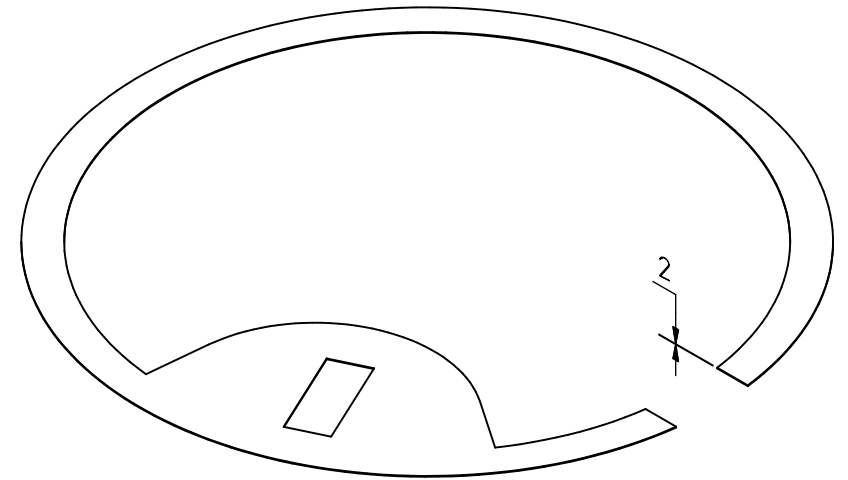
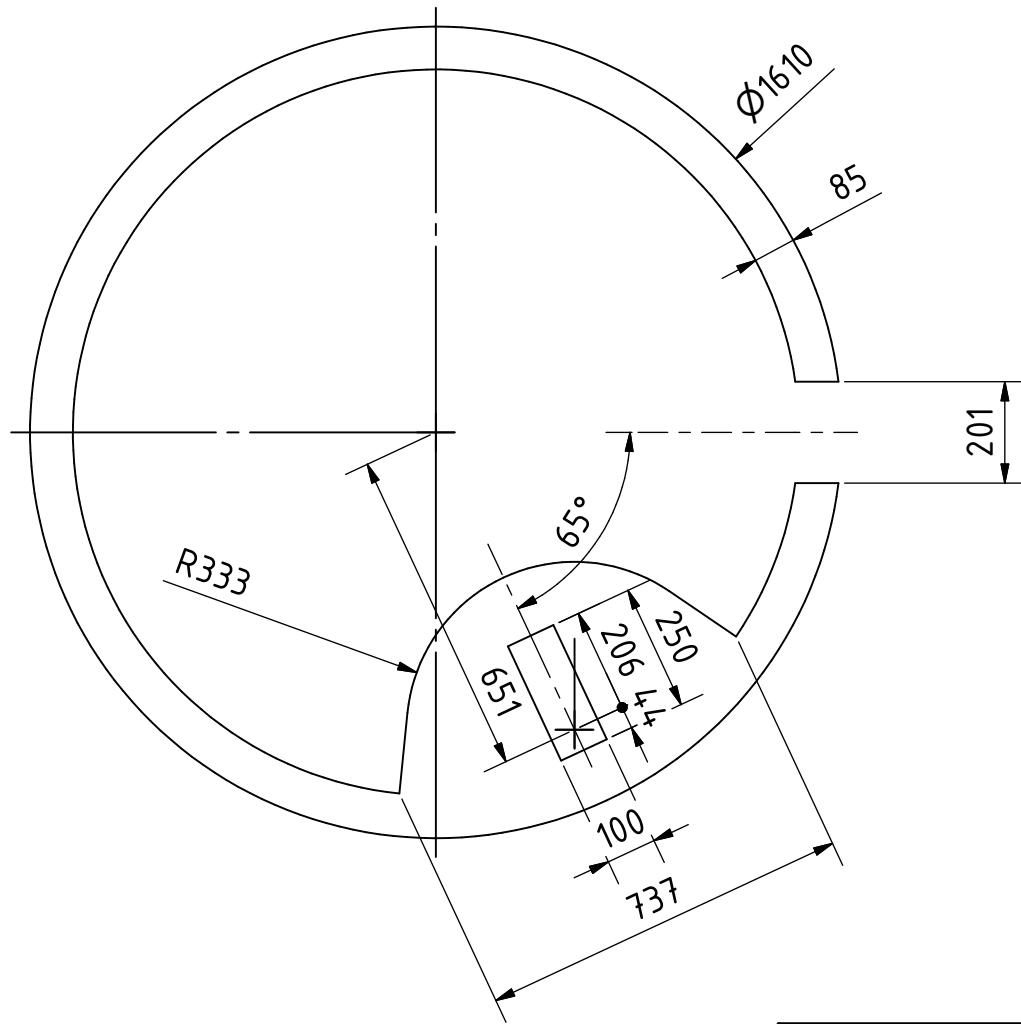
Flat pattern

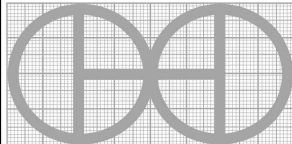


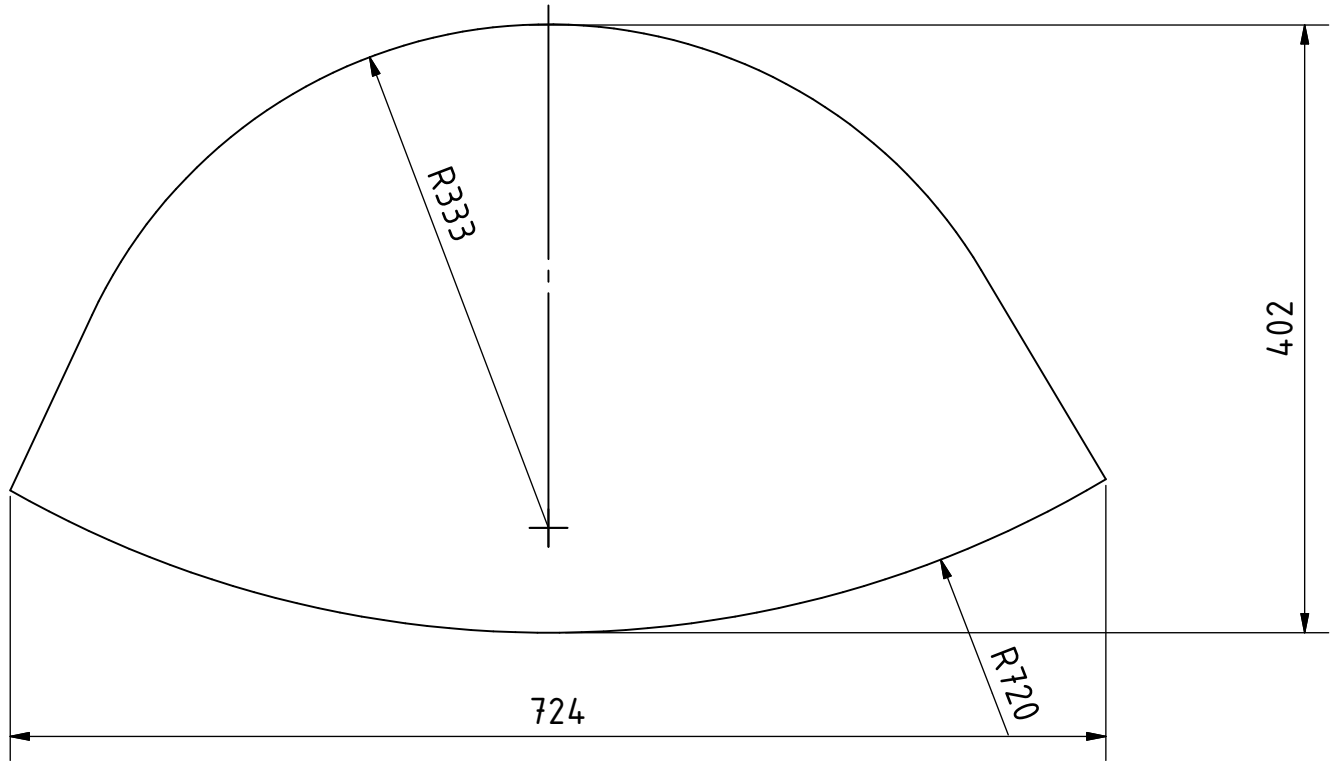
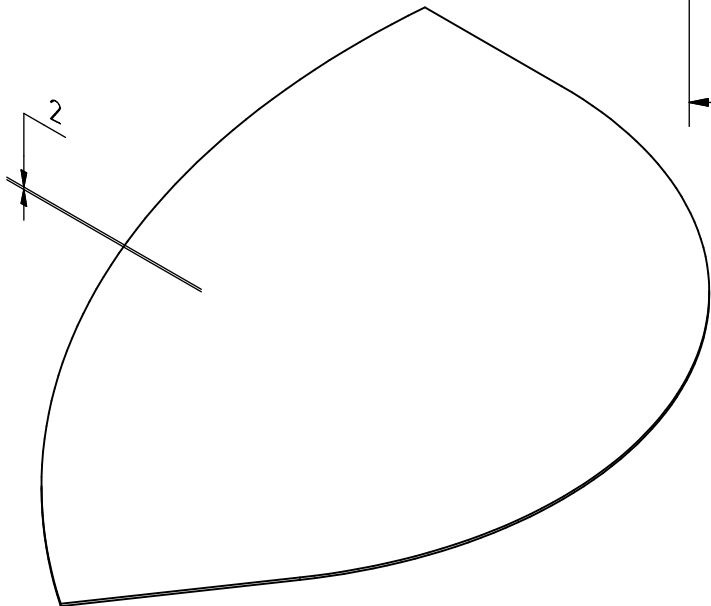
PROJECT	CREATED BY	APPROVED BY	DATE	VERSION
Vertical Drum Hemp Harvester	A. Morillo	D. Jaeger	28-05-2024	0.07
PART NAME	SPECIFICACIONES			CODE
Part 2.24.1	Sheet 2mm			2.24.1
DEVELOPED BY	REDESIGNED BY	FILENAME		QTY
		2.24.1.ipt		1
Hanfasser		LICENSE	DOC. TYPE	SCALE
		CC-BY-SA 4.0	Part	1 : 15
				SHEET
				153 /215

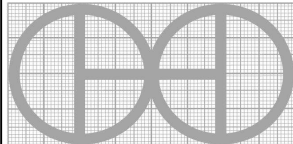


PROJECT	CREATED BY	APPROVED BY	DATE	VERSION	
Vertical Drum Hemp Harvester	A. Morillo	D. Jaeger	28-05-2024	0.07	
PART NAME	SPECIFICACIONES			CODE	
Part 2.24.3	Sheet 2mm			2.24.3	
DEVELOPED BY	REDESIGNED BY	FILENAME		QTY	
Hanfasser		2.24.3.ipt		1	
		LICENSE	DOC. TYPE	SCALE	SHEET
		CC-BY-SA 4.0	Part	1 : 15	154 /215

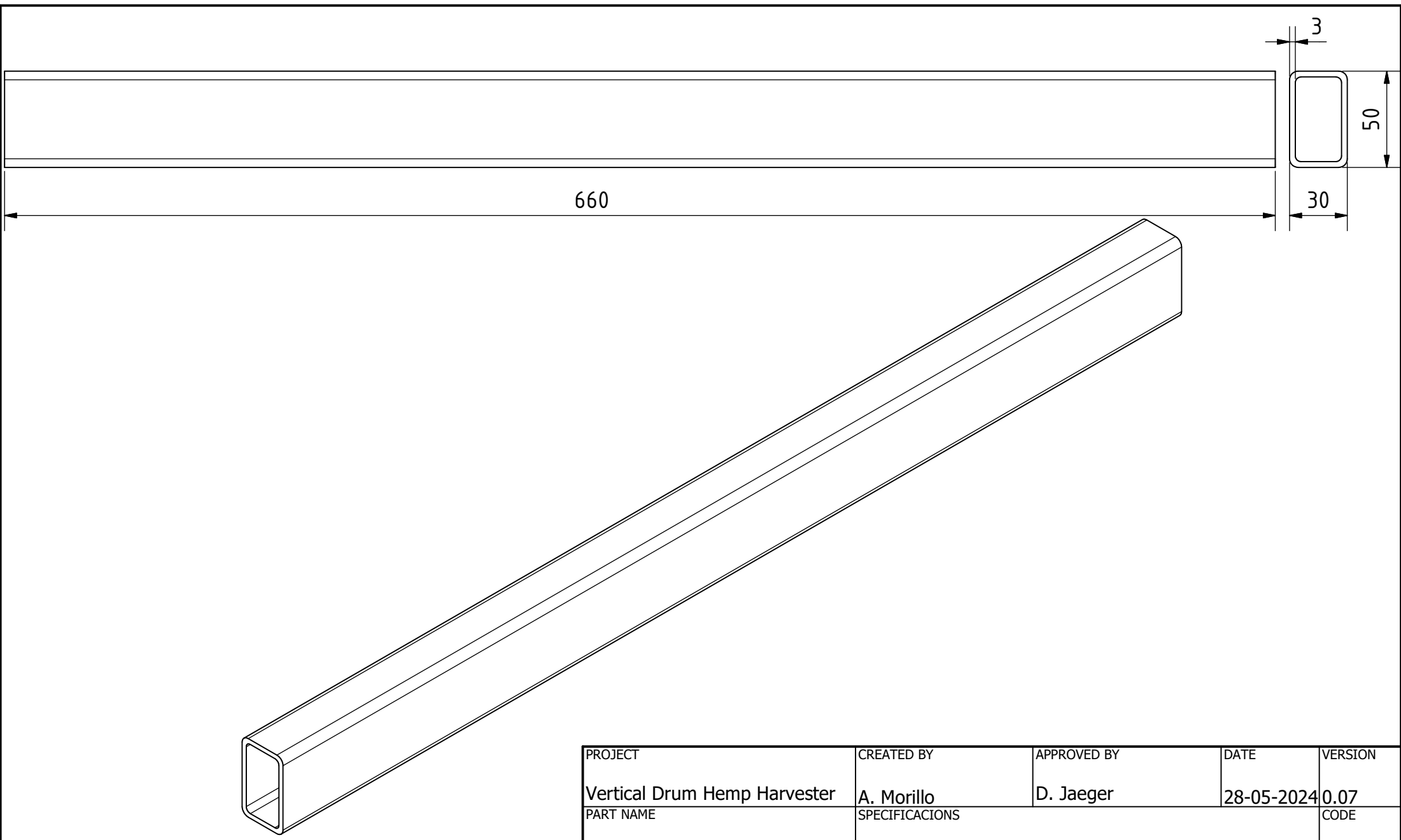


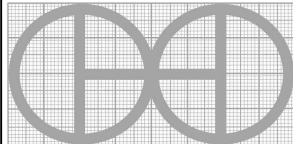
PROJECT	CREATED BY	APPROVED BY	DATE	VERSION
Vertical Drum Hemp Harvester	A. Morillo	D. Jaeger	28-05-2024	0.07
PART NAME	SPECIFICACIONES			CODE
Part 2.24.4	Sheet 2mm			2.24.4
DEVELOPED BY	REDESIGNED BY	FILENAME		QTY
		2.24.4.ipt		1
		LICENSE	DOC. TYPE	SCALE
Hanfasser		CC-BY-SA 4.0	Part	1 : 1
				SHEET
				155 /215



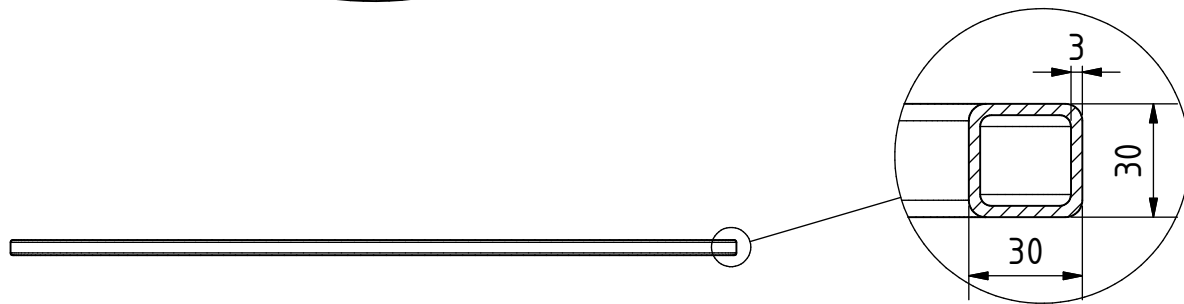
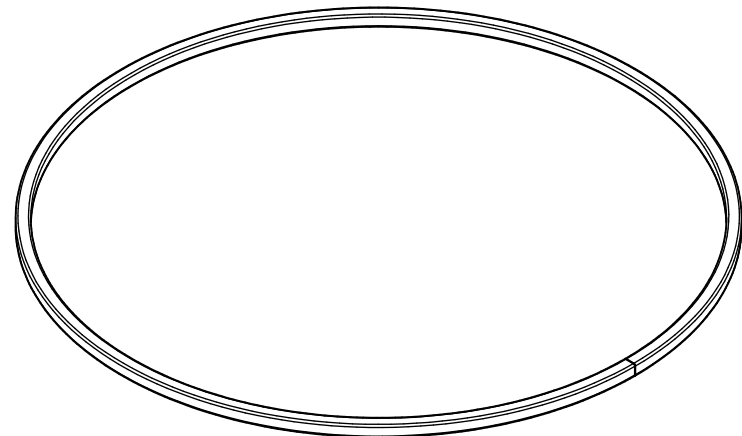
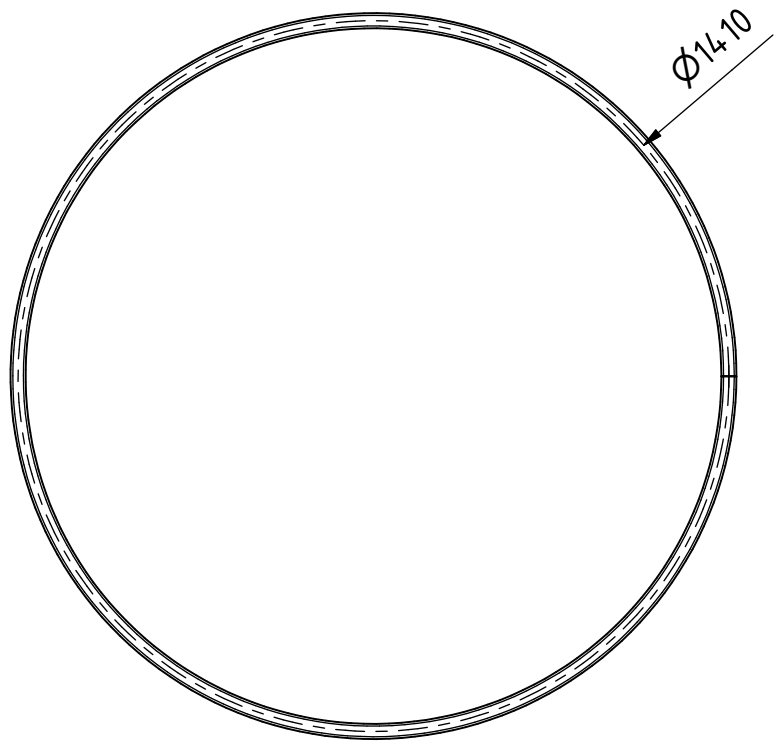
PROJECT	CREATED BY	APPROVED BY	DATE	VERSION	
Vertical Drum Hemp Harvester	A. Morillo	D. Jaeger	28-05-2024	0.07	
PART NAME	SPECIFICACIONES			CODE	
Part 2.24.5	Sheet 2mm			2.24.5	
DEVELOPED BY	REDESIGNED BY	FILENAME		QTY	
Hanfasser		2.24.5.ipt		1	
		LICENSE	DOC. TYPE	SCALE	SHEET
		CC-BY-SA 4.0	Part	1 : 5	156 /215

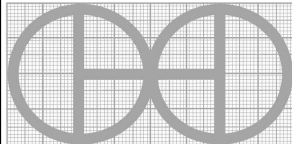
OHO e.V.

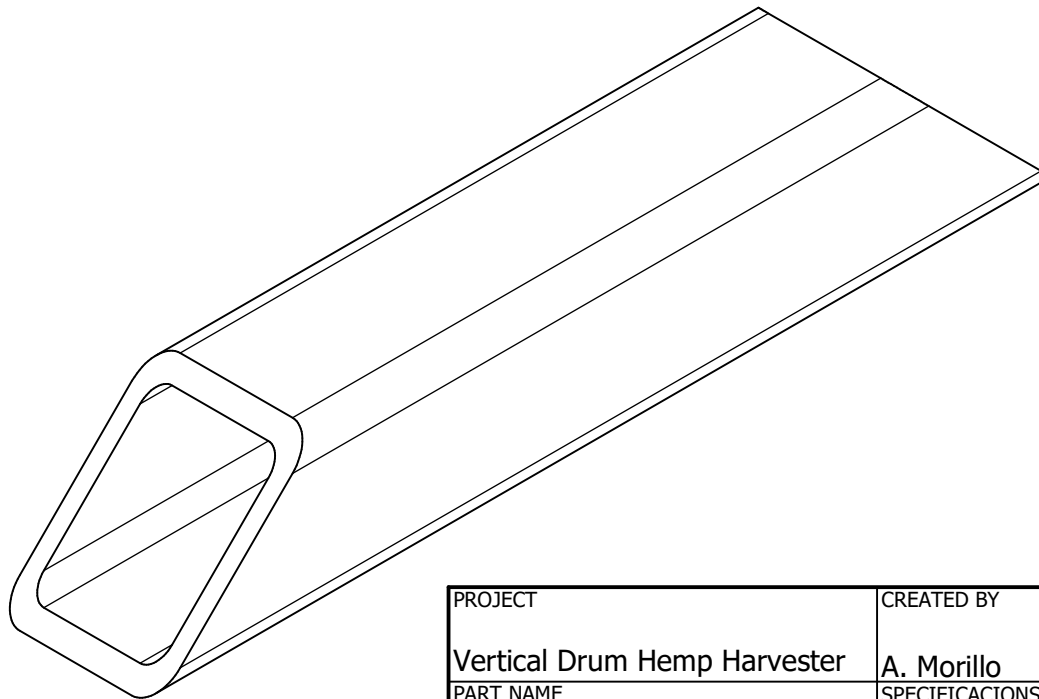
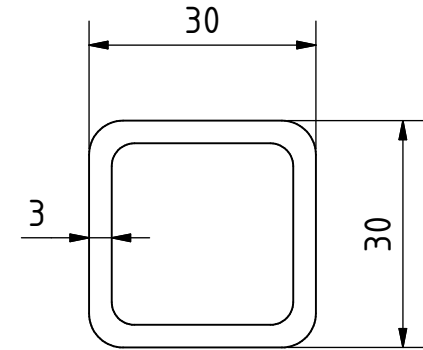
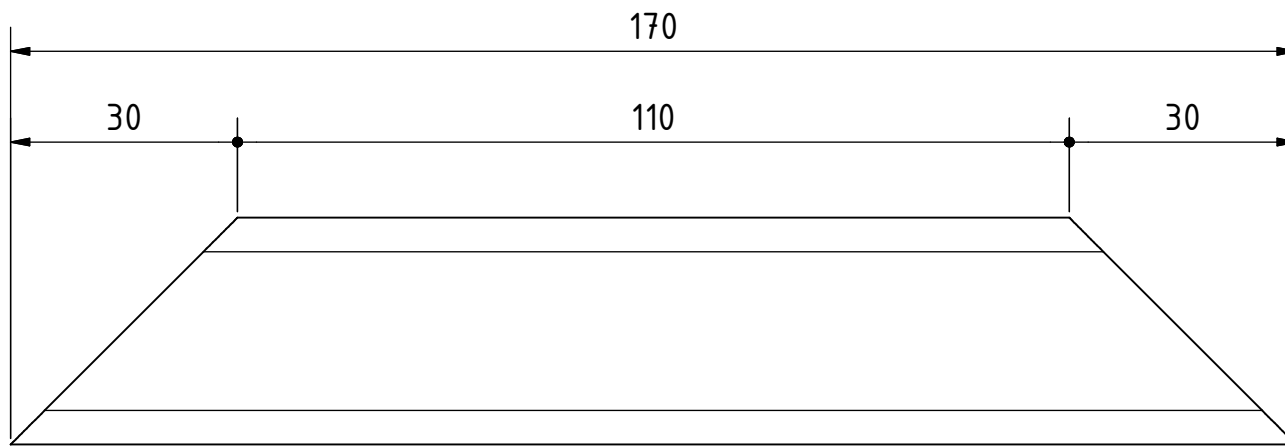


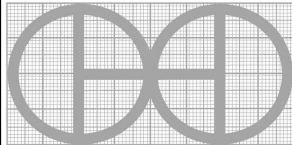
PROJECT	CREATED BY	APPROVED BY	DATE	VERSION	
Vertical Drum Hemp Harvester	A. Morillo	D. Jaeger	28-05-2024	0.07	
PART NAME	SPECIFICACIONES			CODE	
Part 2.24.6	Rectangle profile 50*30*3 mm			2.24.6	
DEVELOPED BY	REDESIGNED BY	FILENAME		QTY	
Hanfasser		2.24.6.ipt		3	
		LICENSE	DOC. TYPE	SCALE	SHEET
		CC-BY-SA 4.0	Part	2 : 5	157 /215

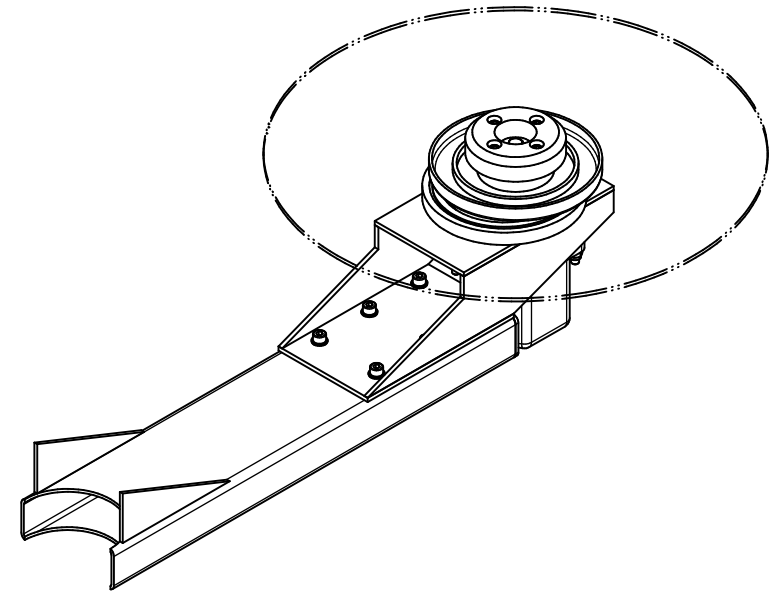
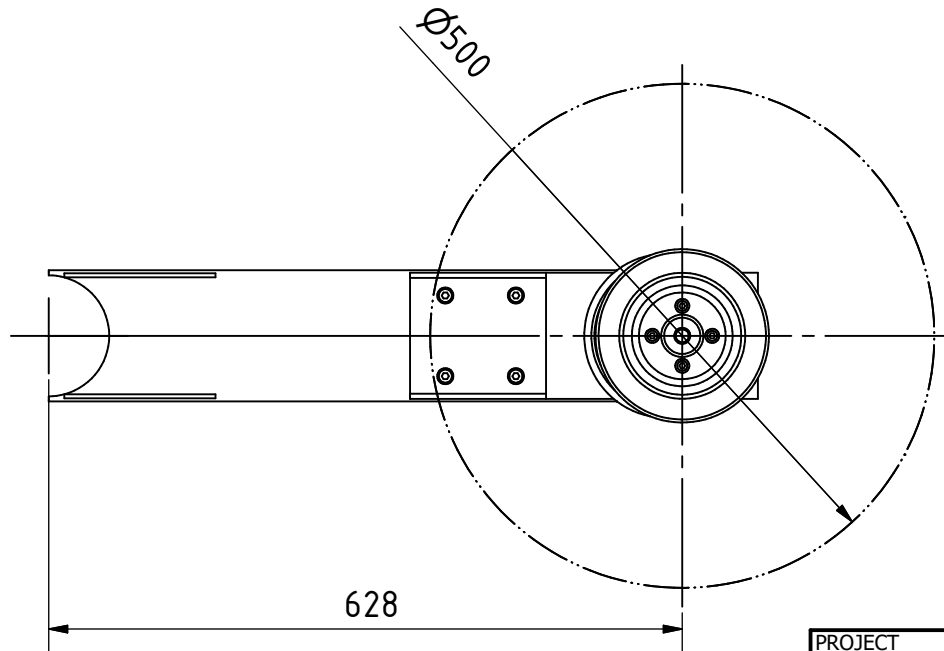
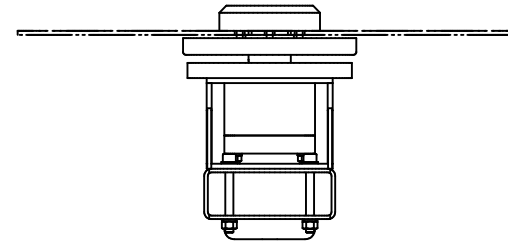
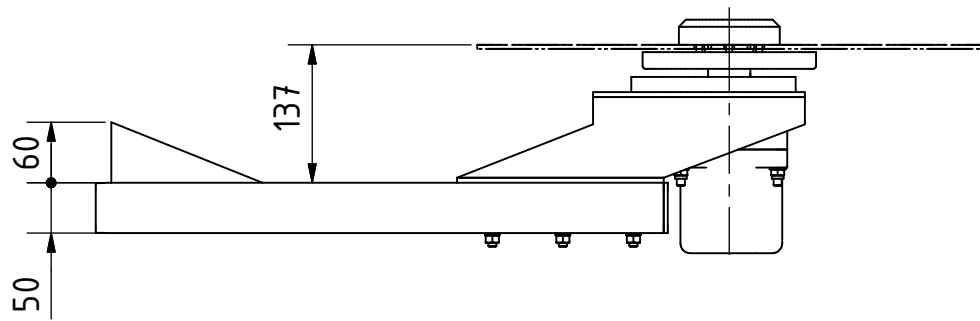
OHO e.V.



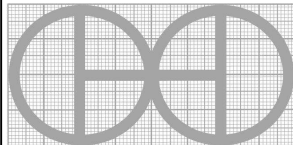
PROJECT	CREATED BY	APPROVED BY	DATE	VERSION	
Vertical Drum Hemp Harvester	A. Morillo	D. Jaeger	28-05-2024	0.07	
PART NAME	SPECIFICACIONES			CODE	
Part 2.24.7	Square profile 30*3 mm			2.24.7	
DEVELOPED BY	REDESIGNED BY	FILENAME		QTY	
Hanfasser		2.24.7.ipt		1	
		LICENSE	DOC. TYPE	SCALE	SHEET
		CC-BY-SA 4.0	Part	1 : 15	158 / 215

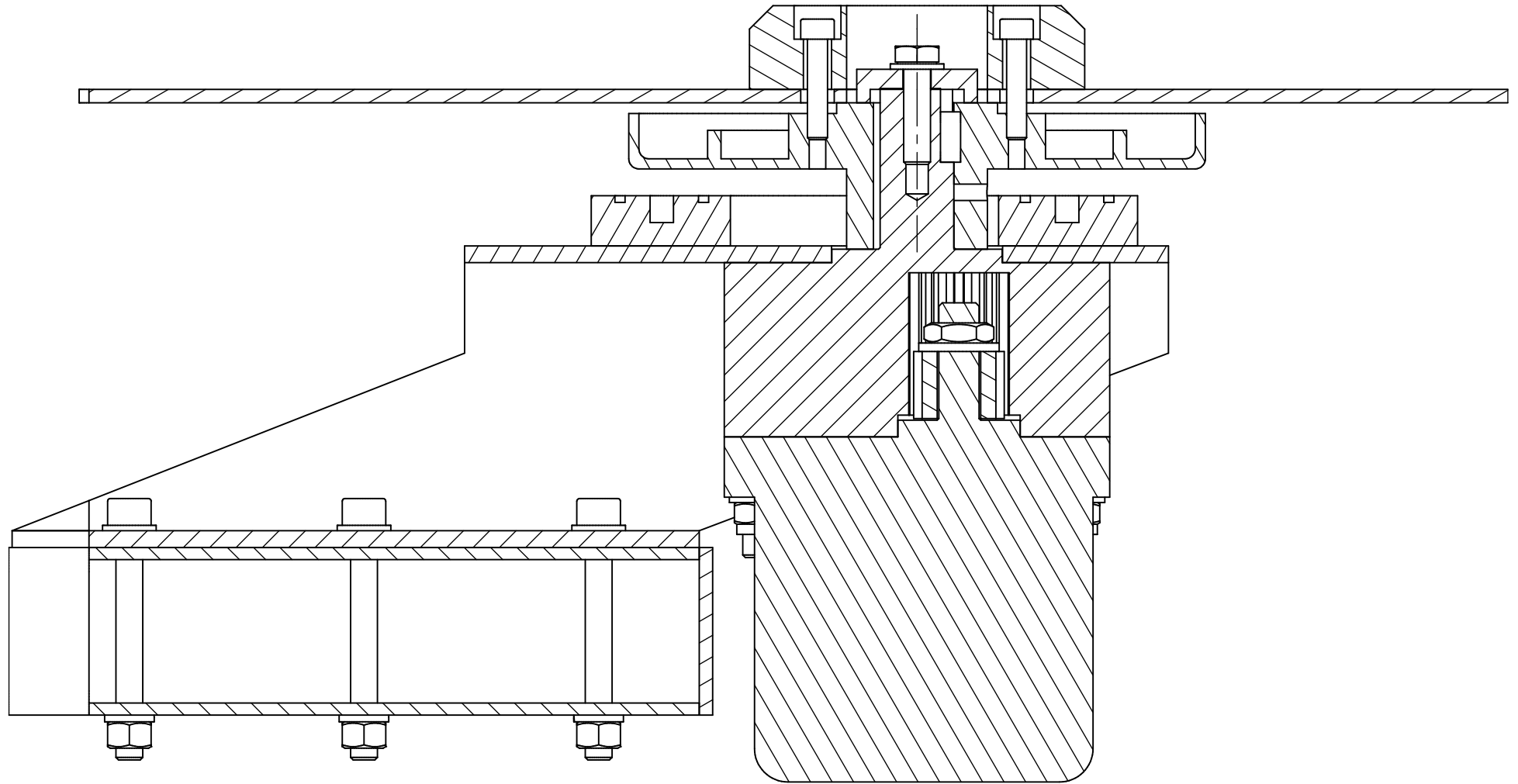


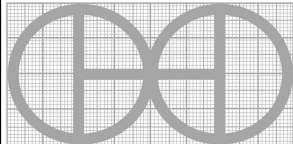
PROJECT	CREATED BY	APPROVED BY	DATE	VERSION
Vertical Drum Hemp Harvester	A. Morillo	D. Jaeger	28-05-2024	0.07
PART NAME	SPECIFICACIONES			CODE
Part 2.24.8	Square profile 30*3 mm			2.24.8
DEVELOPED BY	REDESIGNED BY	FILENAME		QTY
		2.24.8.ipt		3
Hanfasser		LICENSE	DOC. TYPE	SCALE
		CC-BY-SA 4.0	Part	1 : 1
				SHEET
				159 /215

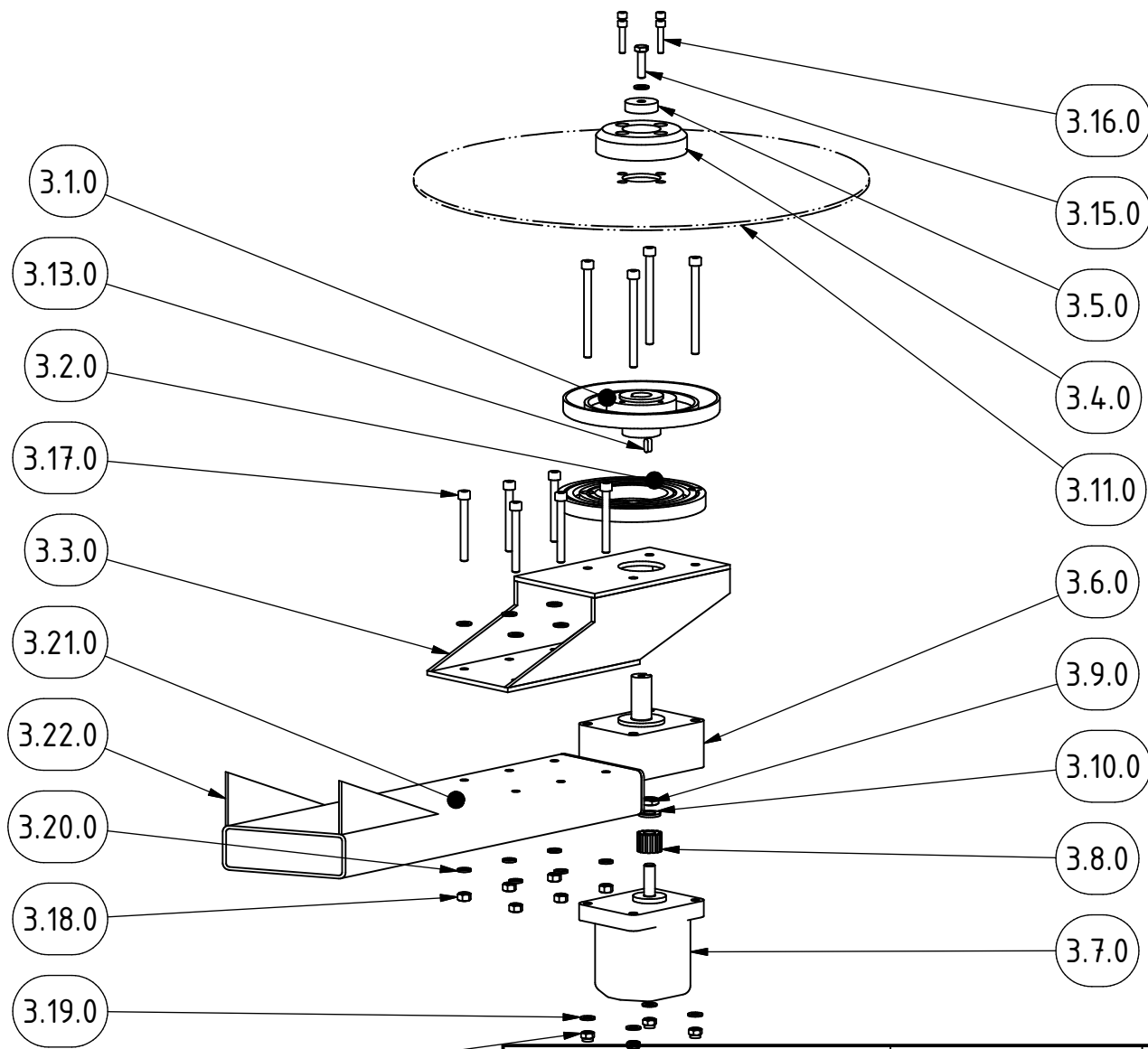


This assembly only applies to the right drum

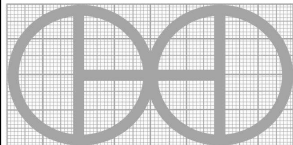
PROJECT	CREATED BY	APPROVED BY	DATE	VERSION
Vertical Drum Hemp Harvester	A. Morillo	D. Jaeger	28-05-2024	0.07
PART NAME	SPECIFICACIONES			CODE
Circular saws				3.0.0
DEVELOPED BY	REDESIGNED BY	FILENAME		QTY
		3.iam		3
Hanfasser		OHO e.V.	LICENSE	DOC. TYPE
		CC-BY-SA 4.0	Assembly	SCALE
				SHEET
			2 : 15	160 /215



PROJECT	CREATED BY	APPROVED BY	DATE	VERSION
Vertical Drum Hemp Harvester	A. Morillo	D. Jaeger	28-05-2024	0.07
PART NAME	SPECIFICACIONES			CODE
Circular saws				3.0.0
DEVELOPED BY	REDESIGNED BY	FILENAME		QTY
		3.iam		3
		LICENSE	DOC. TYPE	SCALE
		CC-BY-SA 4.0	Assembly	4 : 7
Handfasser			OHO e.V.	161 /215

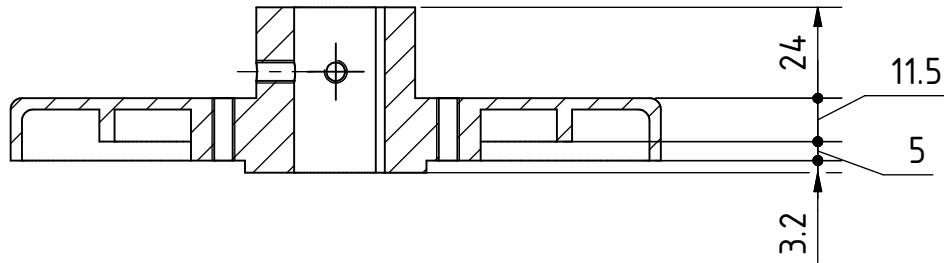
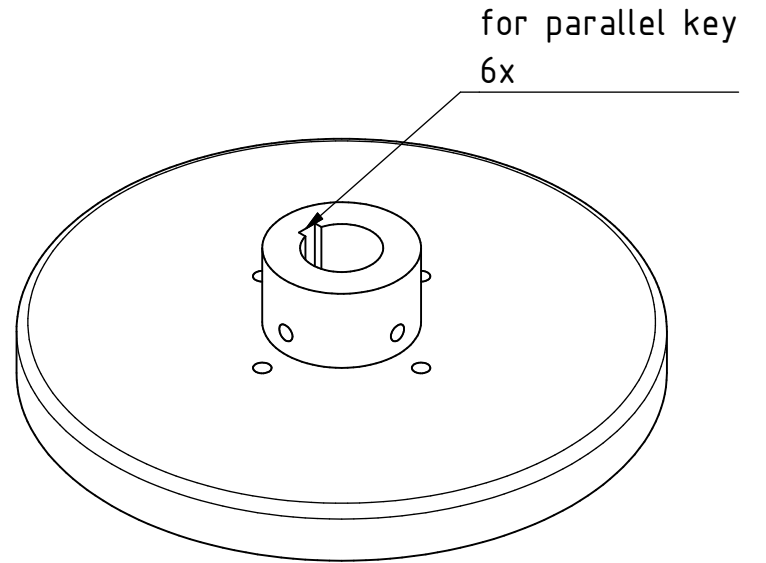
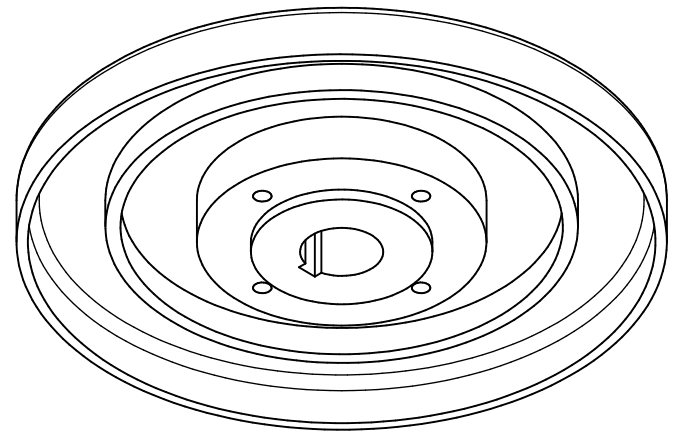
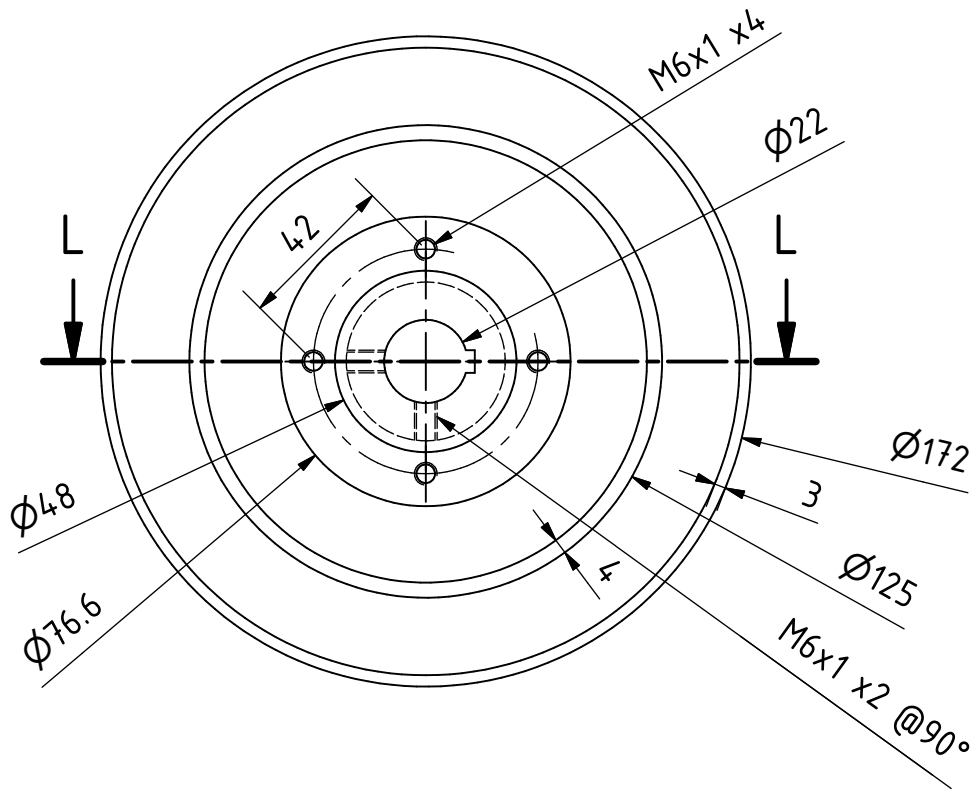


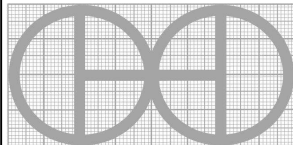
PROJECT	CREATED BY	APPROVED BY	DATE	VERSION
Vertical Drum Hemp Harvester	A. Morillo	D. Jaeger	28-05-2024	0.07
PART NAME	SPECIFICACIONES			CODE
Circular saws				3.0.0
DEVELOPED BY	REDESIGNED BY	FILENAME	QTY	
		3.ipn	3	
		LICENSE	DOC. TYPE	SCALE SHEET
		CC-BY-SA 4.0	Assembly	2 : 15 162 /215

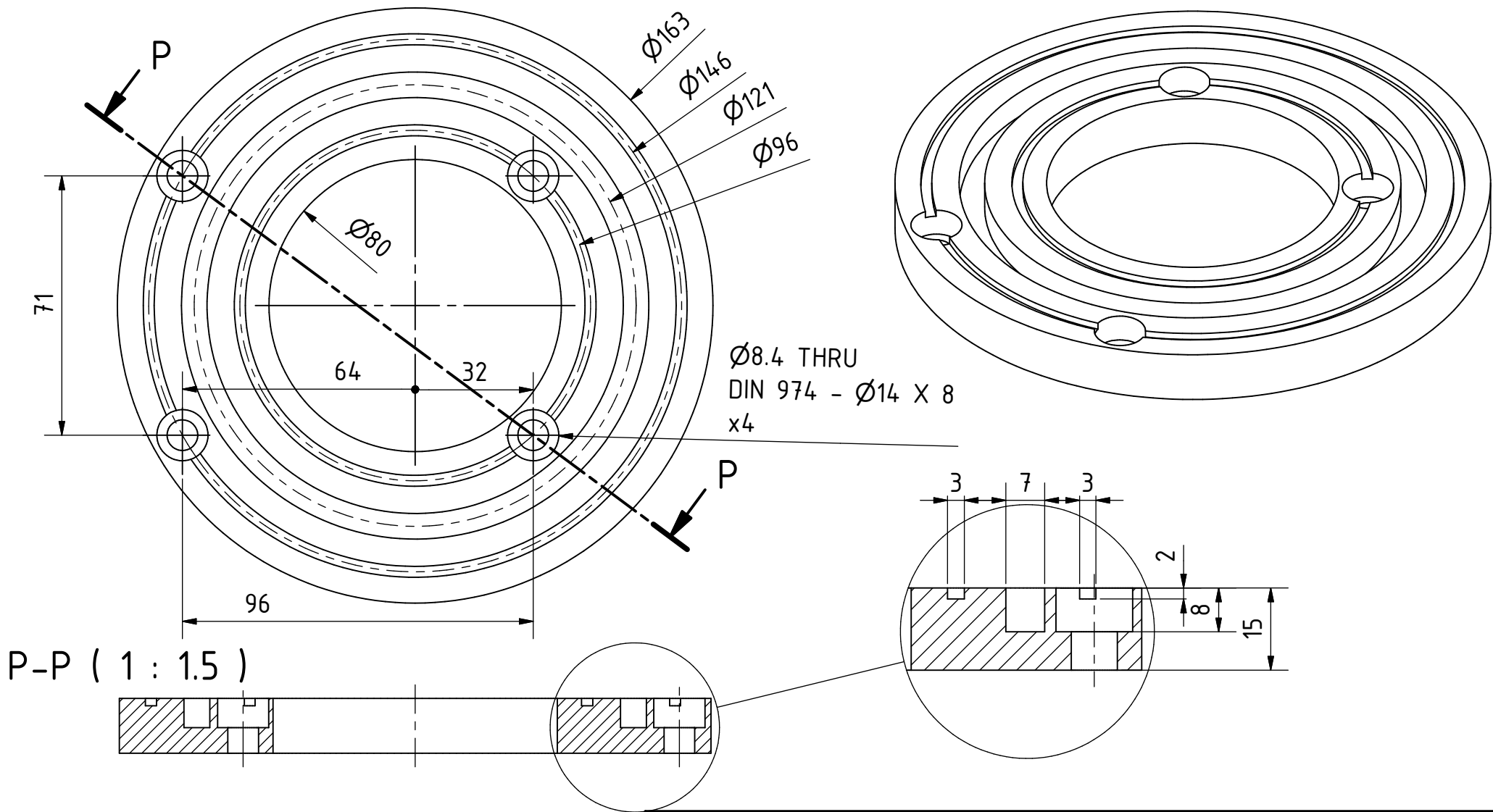


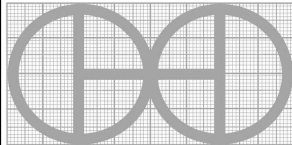
OHO e.V.

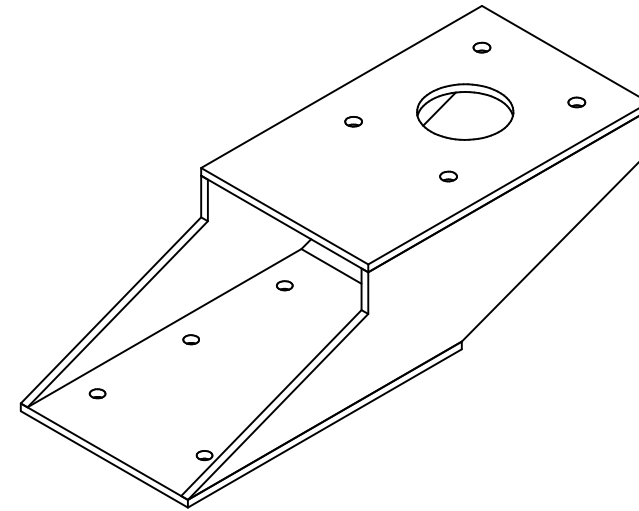
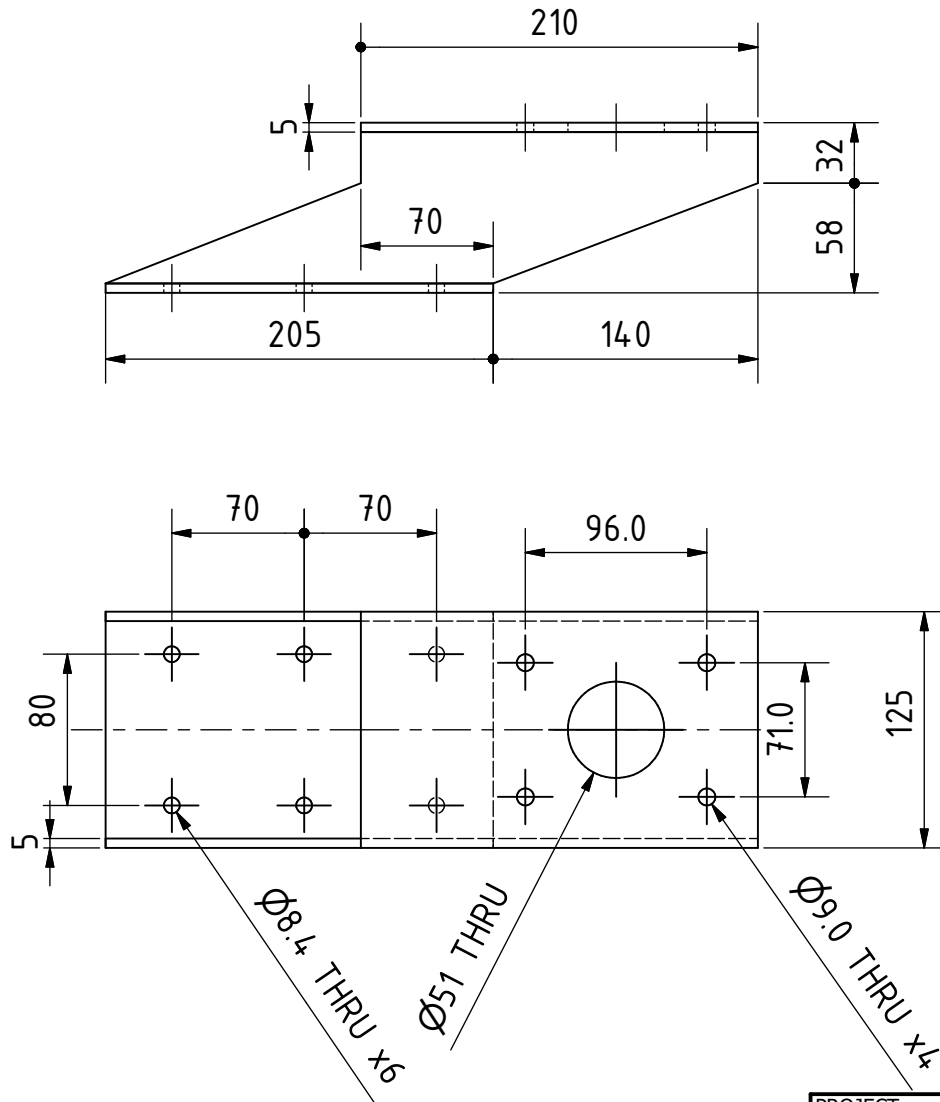
Hanfasser



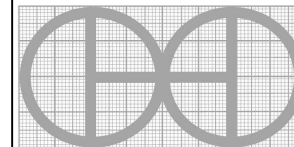
PROJECT		CREATED BY		APPROVED BY		DATE		VERSION		
Vertical Drum Hemp Harvester		A. Morillo		D. Jaeger		28-05-2024		0.07		
PART NAME		SPECIFICACIONES							CODE	
Circular saw fastening lower part		Steel 235J2							3.1.0	
DEVELOPED BY		REDESIGNED BY		FILENAME				QTY		
Hanfasser				3.1.ipt				1		
				LICENSE		DOC. TYPE		SCALE		
				CC-BY-SA 4.0		Part		1 : 2		
								163 /215		



PROJECT	CREATED BY	APPROVED BY	DATE	VERSION
Vertical Drum Hemp Harvester	A. Morillo	D. Jaeger	28-05-2024	0.07
PART NAME	SPECIFICACIONES			CODE
Motor mounting plate	Steel 235J2			3.2.0
DEVELOPED BY	REDESIGNED BY	FILENAME		QTY
		3.2.ipt		1
		LICENSE	DOC. TYPE	SHEET
Hanfasser		CC-BY-SA 4.0	Part	164 /215
			SCALE	
			2 : 3	

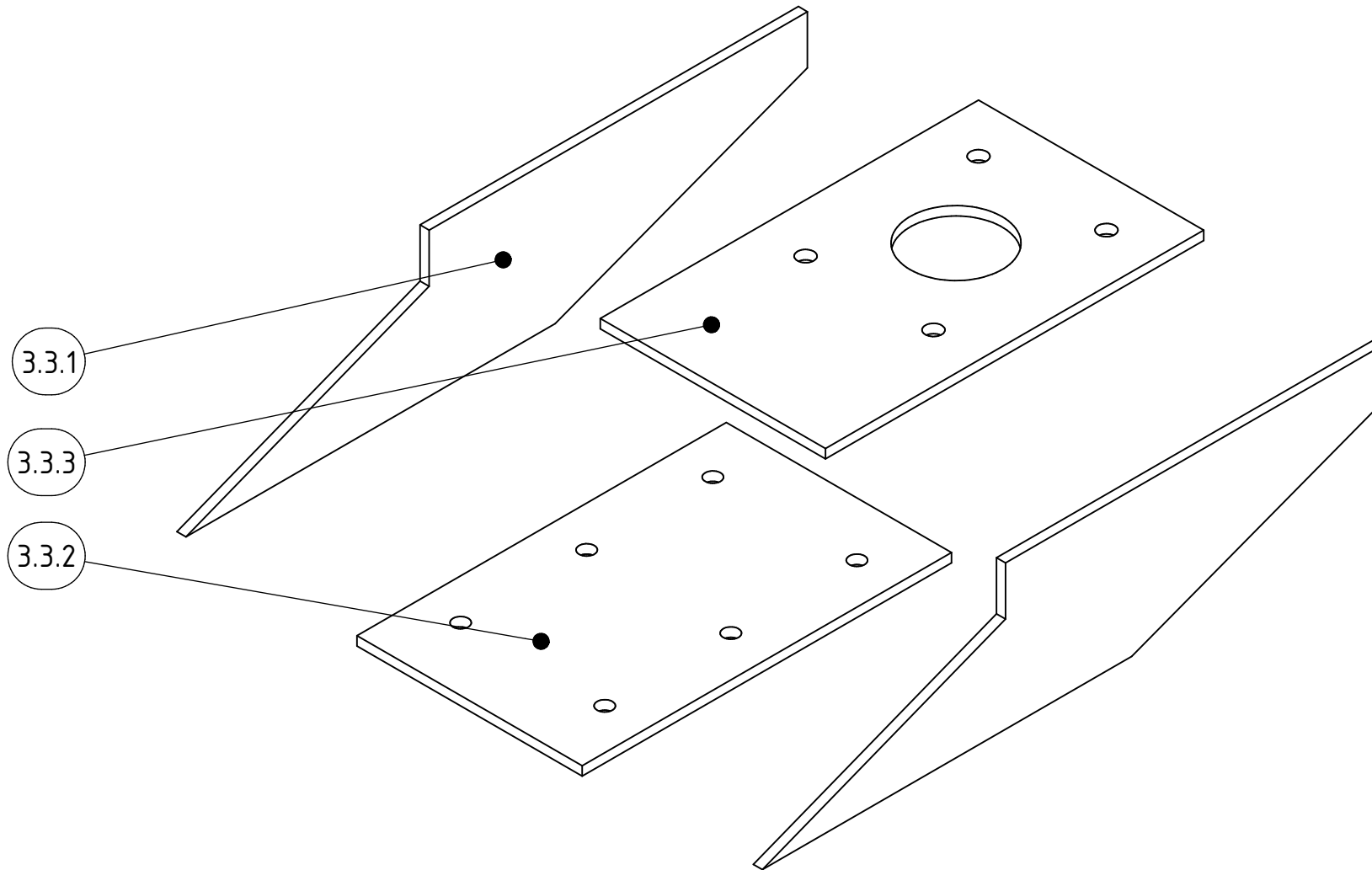


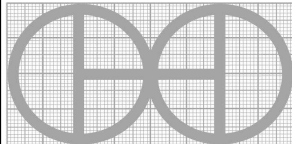
PROJECT	CREATED BY	APPROVED BY	DATE	VERSION
Vertical Drum Hemp Harvester	A. Morillo	D. Jaeger	28-05-2024	0.07
PART NAME	SPECIFICACIONES			CODE
Console for circular saw	Steel 235J2			3.3.0
DEVELOPED BY	REDESIGNED BY	FILENAME		QTY
		3.3.iam		1
		LICENSE	DOC. TYPE	SCALE
		CC-BY-SA 4.0	Assembly	1 : 4
				SHEET
				165 /215

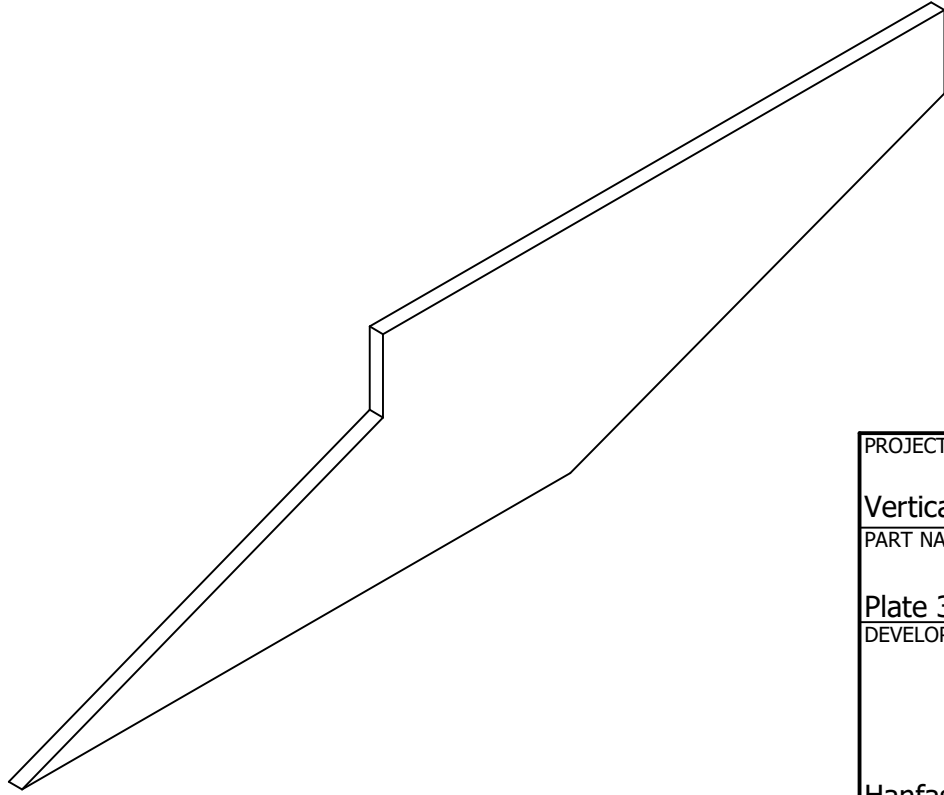
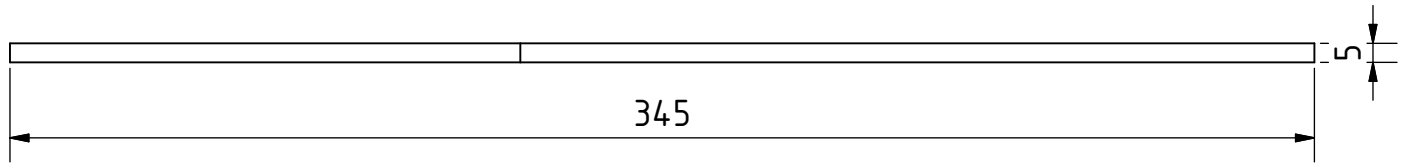
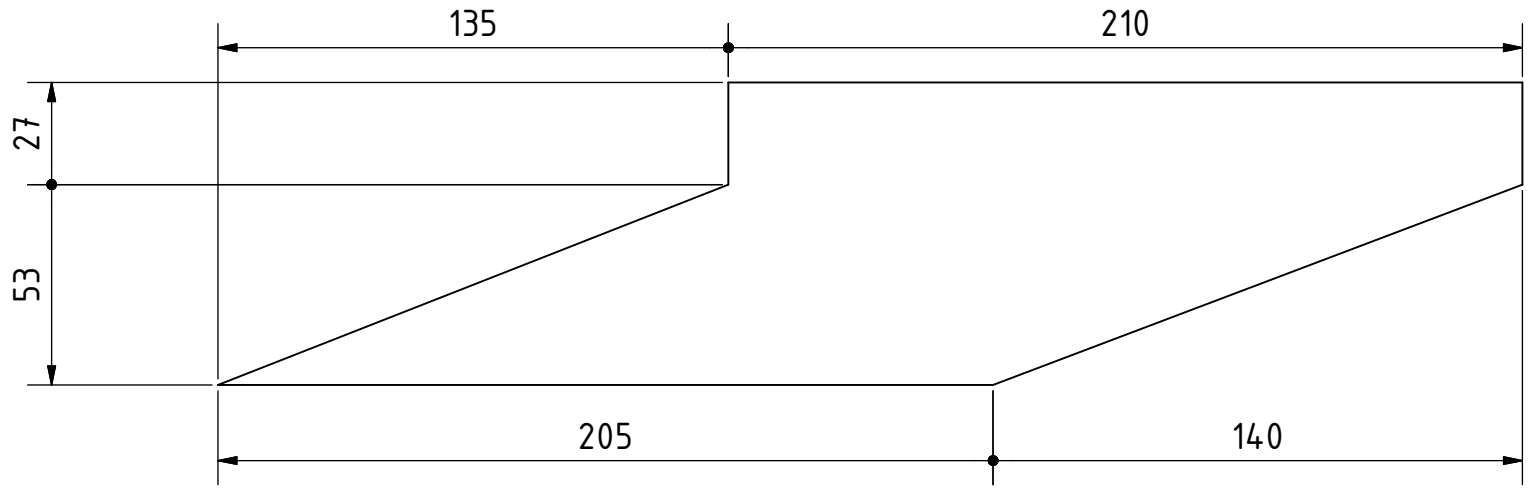


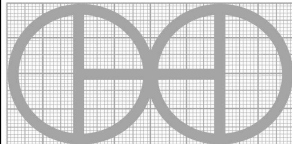
OHO e.V.

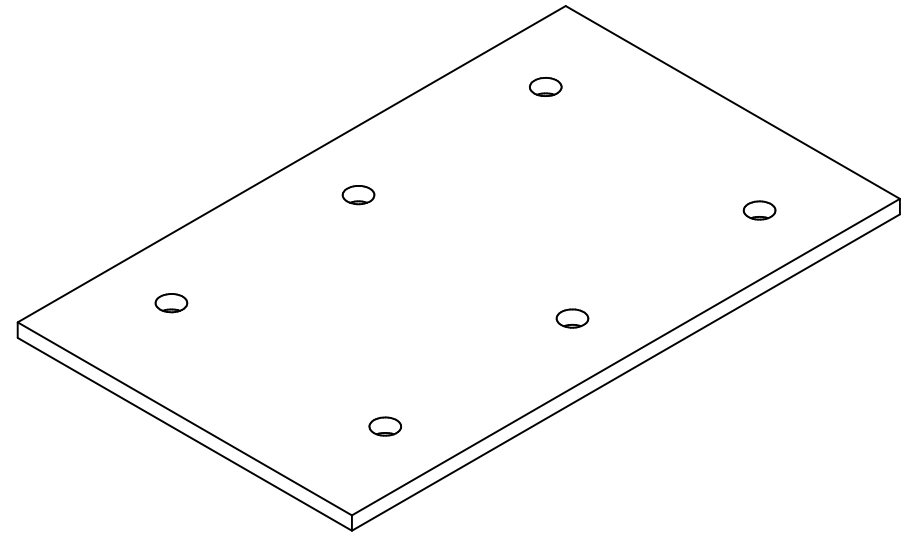
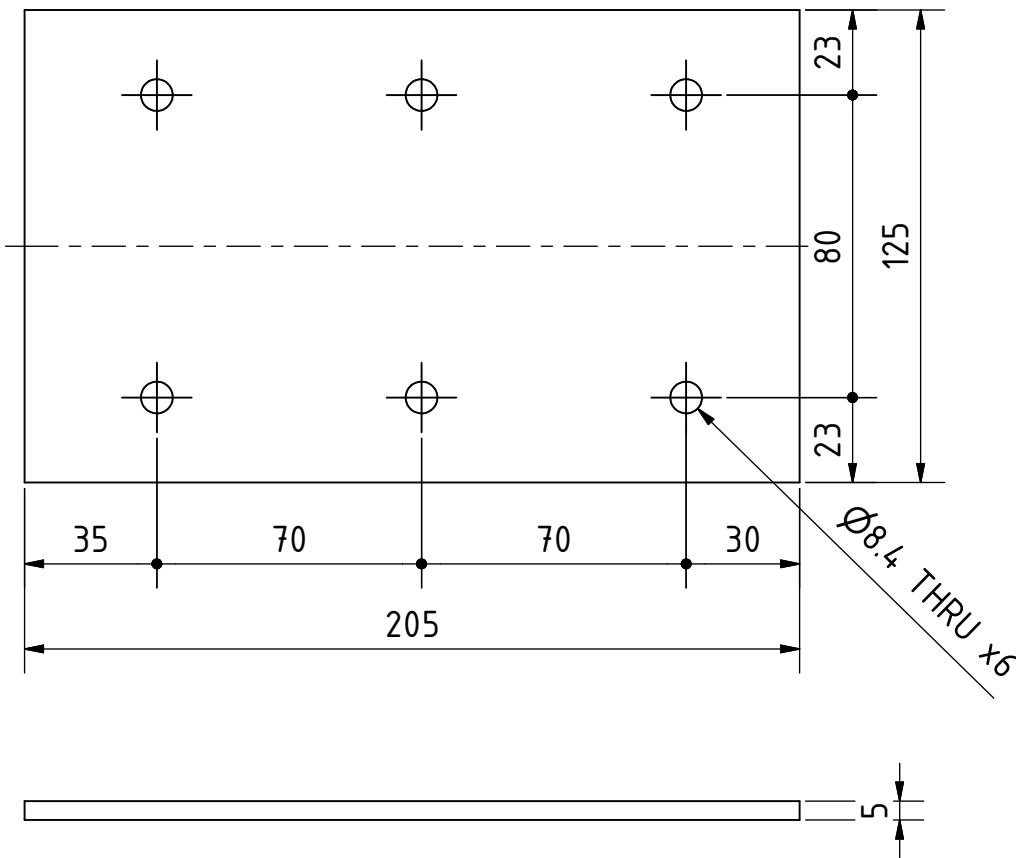
Hanfasser

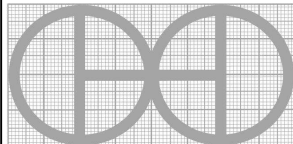


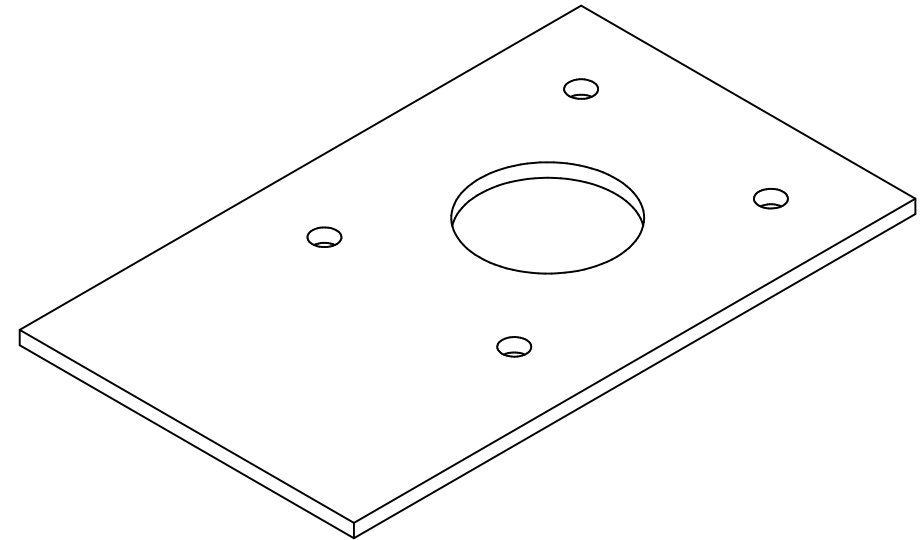
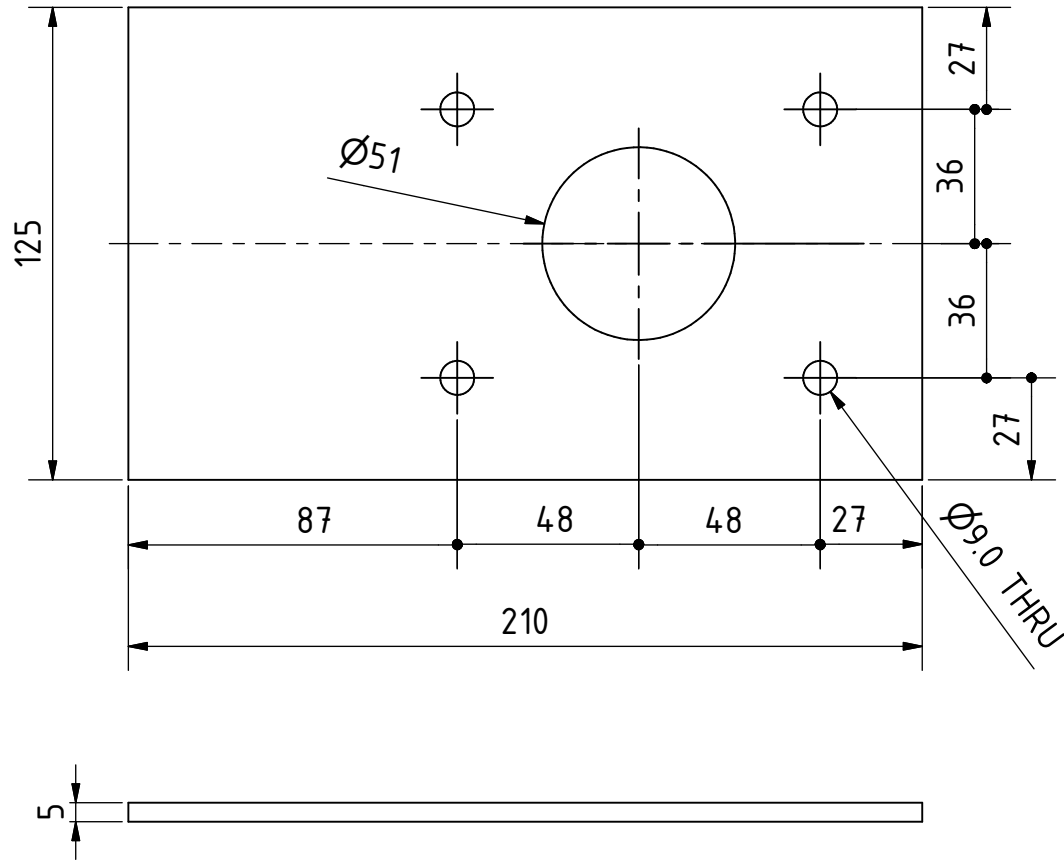
PROJECT	CREATED BY	APPROVED BY	DATE	VERSION	
Vertical Drum Hemp Harvester	A. Morillo	D. Jaeger	28-05-2024	0.07	
PART NAME	SPECIFICACIONES			CODE	
Console for circular saw	Steel 235J2			3.3.0	
DEVELOPED BY	REDESIGNED BY	FILENAME		QTY	
Hanfasser		3.3.ipn		1	
		LICENSE	DOC. TYPE	SCALE	SHEET
		CC-BY-SA 4.0	Assembly	2 : 5	166 /215

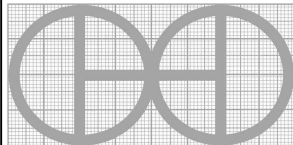


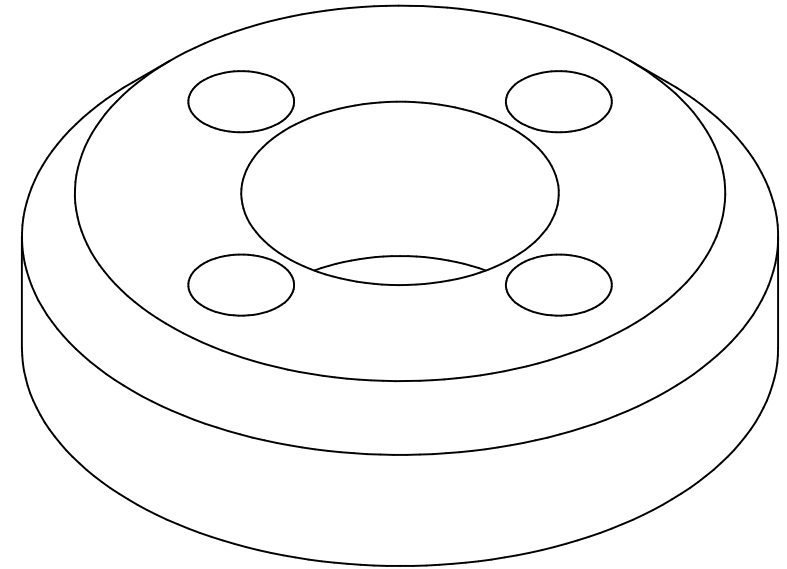
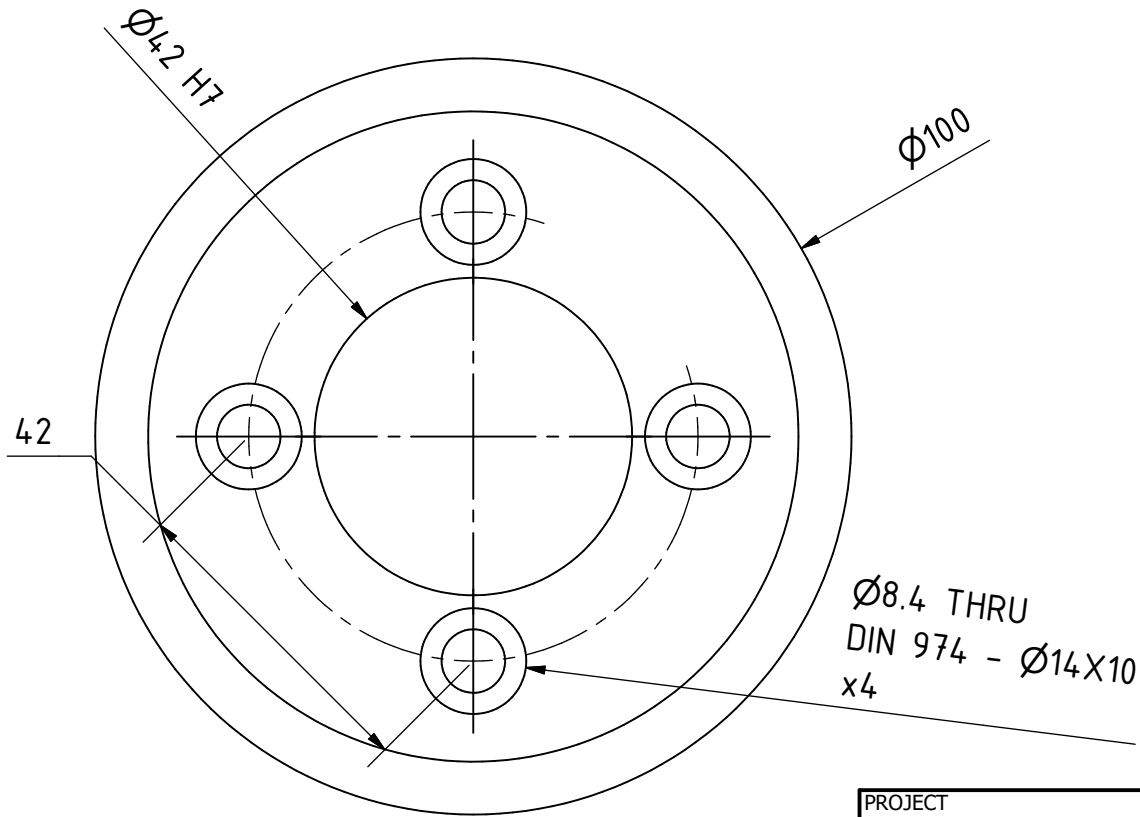
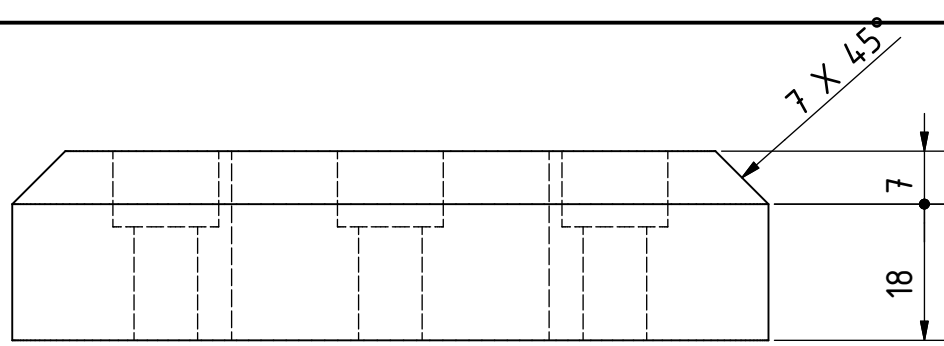
PROJECT		CREATED BY		APPROVED BY		DATE		VERSION	
Vertical Drum Hemp Harvester		A. Morillo		D. Jaeger		28-05-2024		0.07	
PART NAME		SPECIFICACIONES						CODE	
Plate 3.3.1		Steel 235J2						3.3.1	
DEVELOPED BY		REDESIGNED BY		FILENAME				QTY	
Hanfasser				3.3.1.ipt				2	
				LICENSE		DOC. TYPE		SCALE	
				CC-BY-SA 4.0		Part		1 : 2	
								SHEET	
								167 /215	

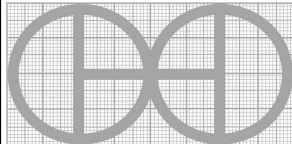


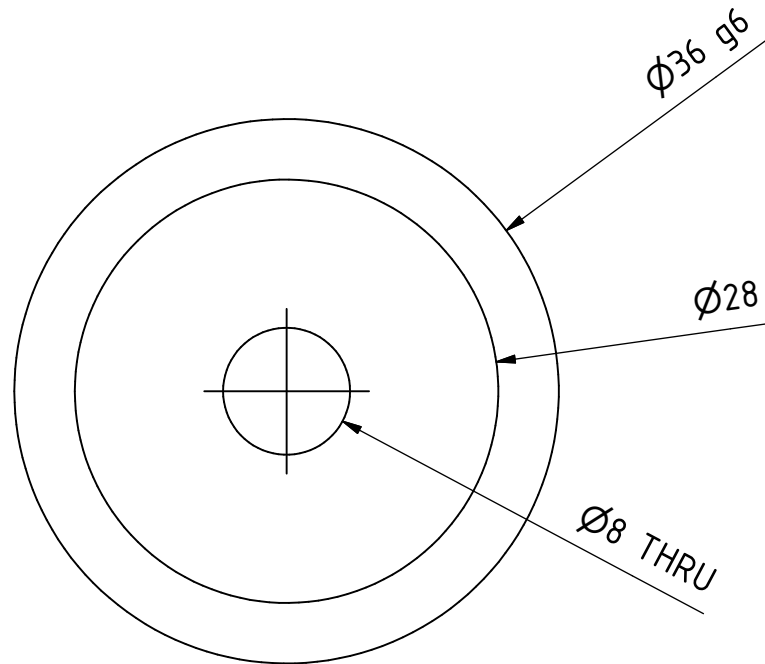
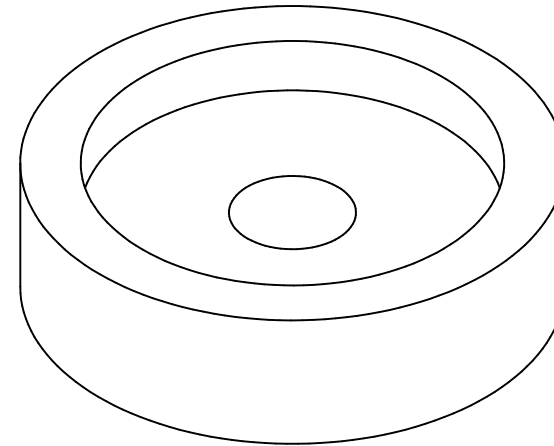
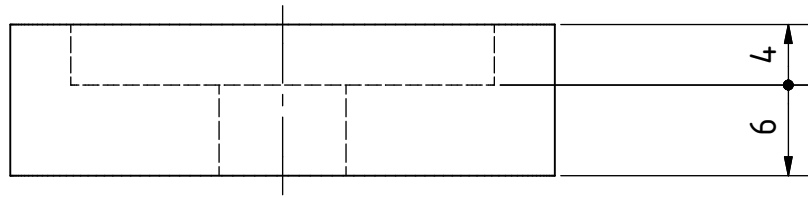
PROJECT	CREATED BY	APPROVED BY	DATE	VERSION	
Vertical Drum Hemp Harvester	A. Morillo	D. Jaeger	28-05-2024	0.07	
PART NAME	SPECIFICACIONES			CODE	
Plate 3.3.2	Steel 235J2			3.3.2	
DEVELOPED BY	REDESIGNED BY	FILENAME		QTY	
Hanfasser		3.3.2.ipt		1	
		LICENSE	DOC. TYPE	SCALE	SHEET
		CC-BY-SA 4.0	Part	1 : 2	168 / 215

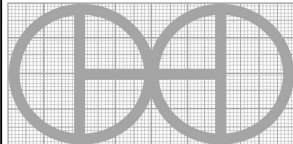


PROJECT	CREATED BY	APPROVED BY	DATE	VERSION
Vertical Drum Hemp Harvester	A. Morillo	D. Jaeger	28-05-2024	0.07
PART NAME	SPECIFICACIONES			CODE
Plate 3.3.3	Steel 235J2			3.3.3
DEVELOPED BY	REDESIGNED BY	FILENAME		QTY
		3.3.3.ipt		1
Hanfasser		LICENSE	DOC. TYPE	SCALE
		CC-BY-SA 4.0	Part	1 : 2
				SHEET
				169 / 215

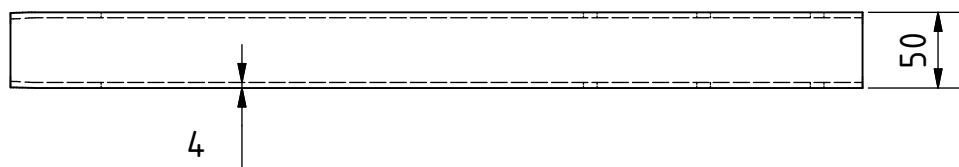
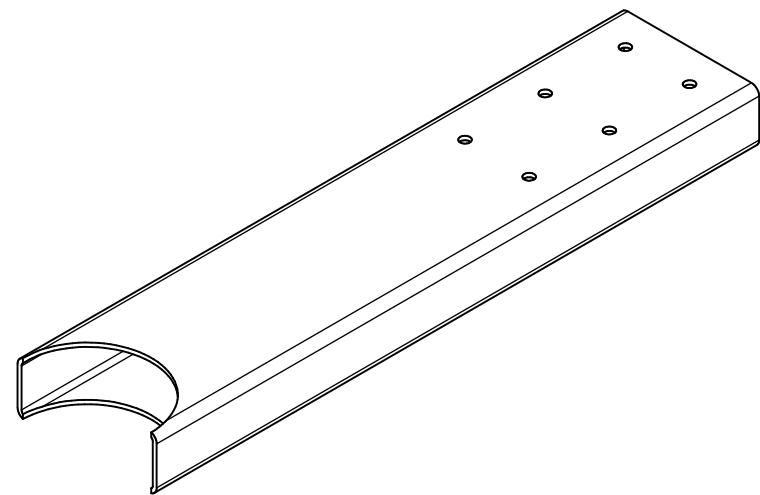
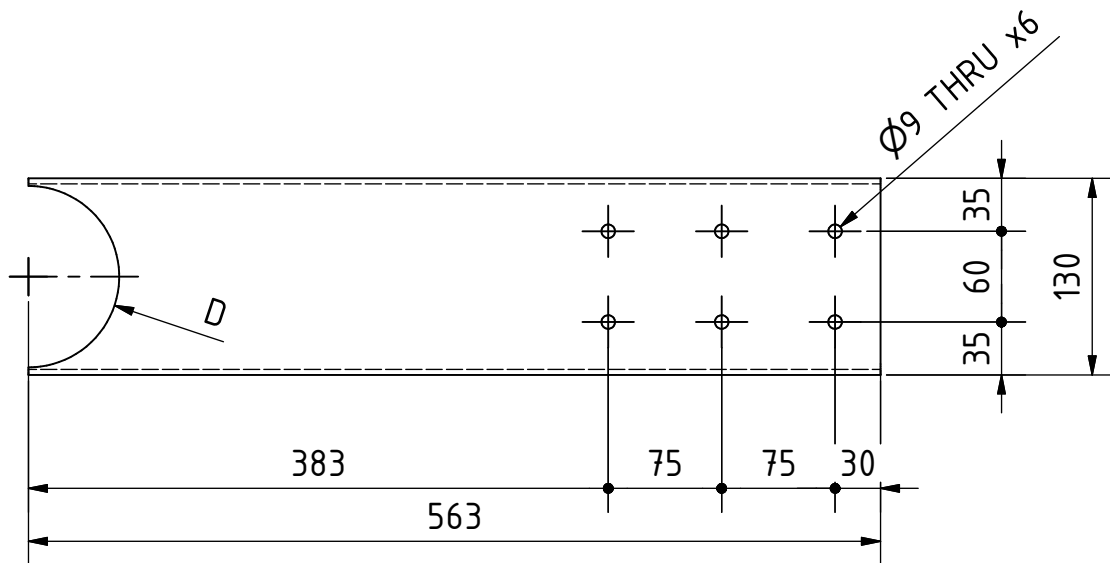


PROJECT	CREATED BY	APPROVED BY	DATE	VERSION
Vertical Drum Hemp Harvester	A. Morillo	D. Jaeger	28-05-2024	0.07
PART NAME	SPECIFICACIONES			CODE
Circular saw attachment upper part	Steel 235J2			3.4.0
DEVELOPED BY	REDESIGNED BY	FILENAME		QTY
		3.4.ipt		1
Hanfasser		LICENSE	DOC. TYPE	SCALE
		CC-BY-SA 4.0	Part	1 : 1
				SHEET
				170 /215

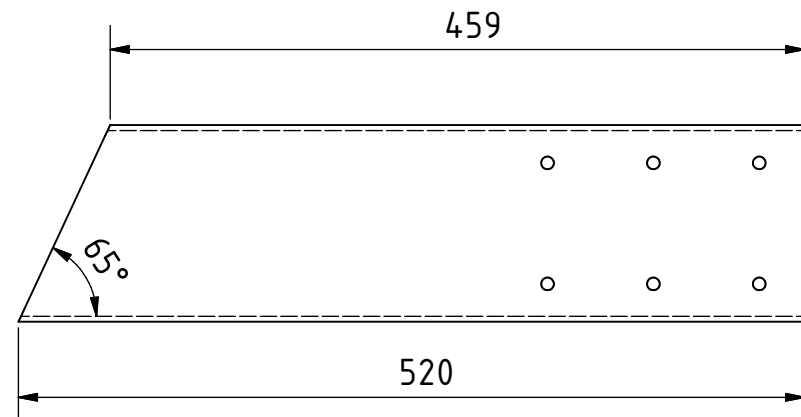


PROJECT	CREATED BY	APPROVED BY	DATE	VERSION	
Vertical Drum Hemp Harvester	A. Morillo	D. Jaeger	28-05-2024	0.07	
PART NAME	SPECIFICACIONES			CODE	
U Washer	Steel 235J2			3.5.0	
DEVELOPED BY	REDESIGNED BY	FILENAME		QTY	
Hanfasser		3.5.ipt		1	
		LICENSE	DOC. TYPE	SCALE	SHEET
		CC-BY-SA 4.0	Part	2 : 1	171 /215

OHO e.V.

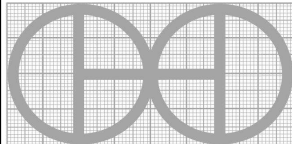


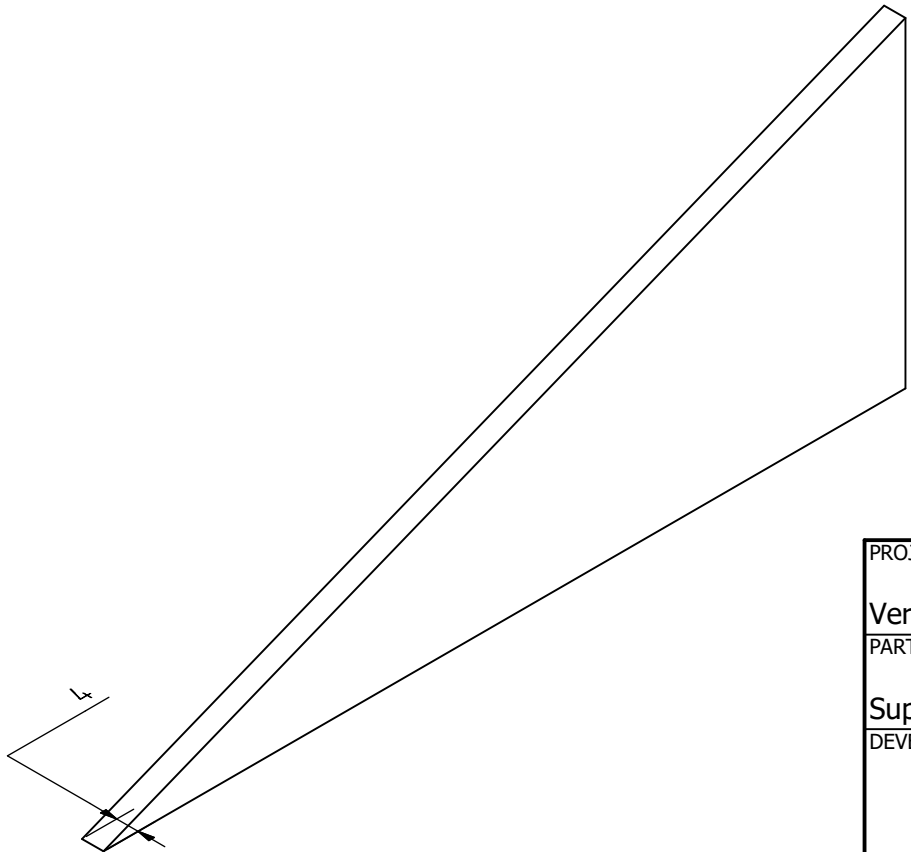
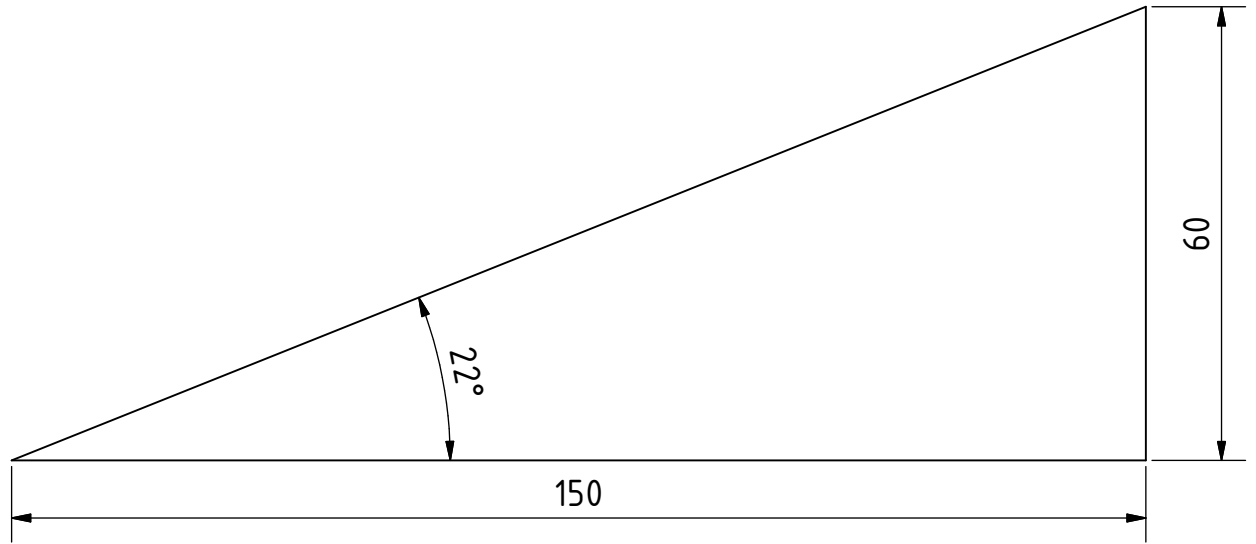
Version for top saw

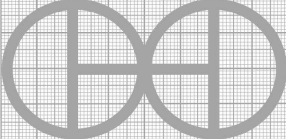


Size table

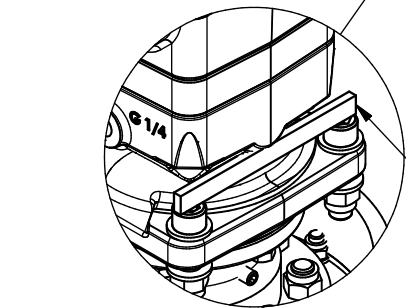
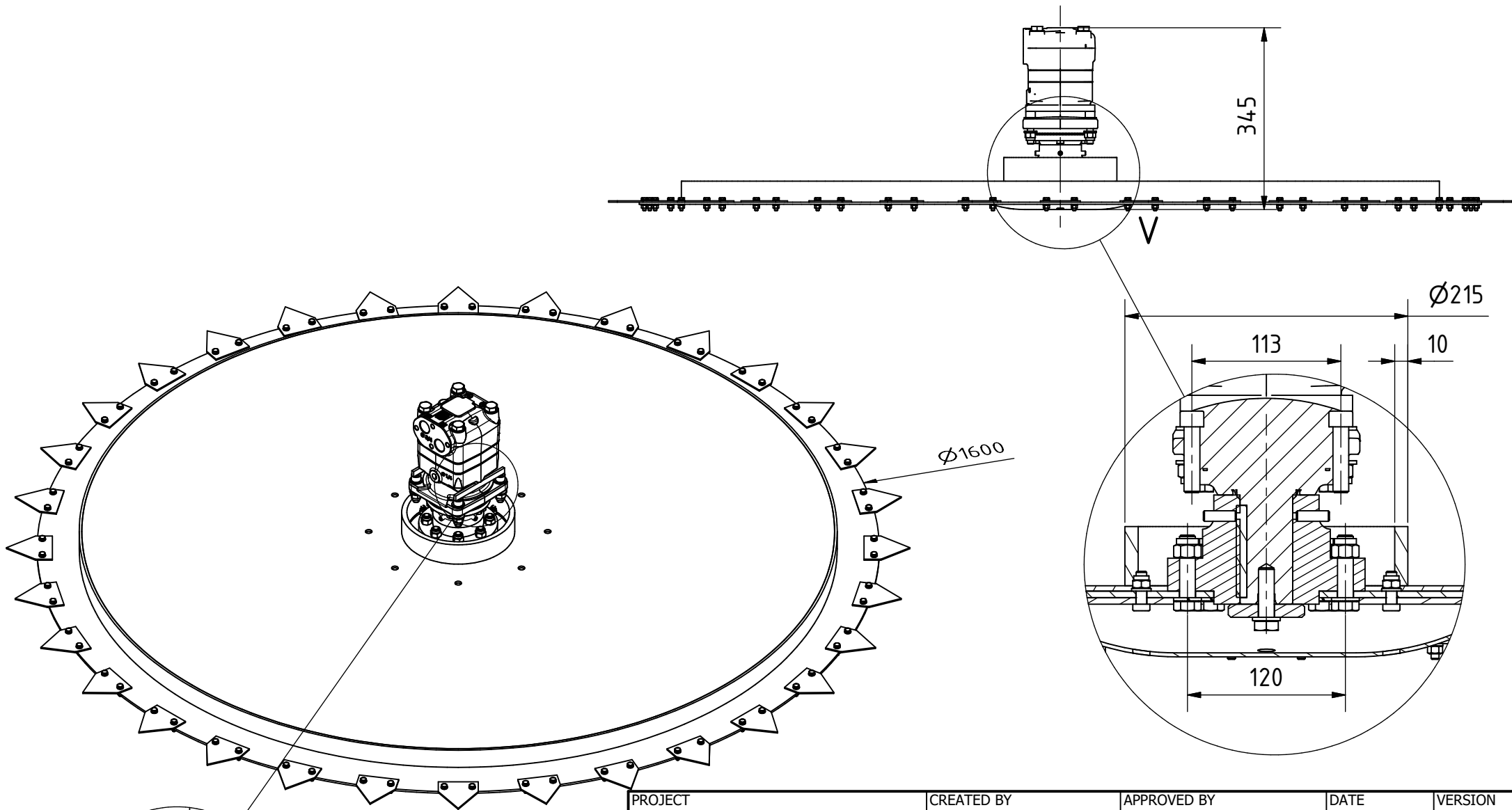
Saw	D [mm]
Bottom	220
Center	120
Top	-

PROJECT	CREATED BY	APPROVED BY	DATE	VERSION
Vertical Drum Hemp Harvester	A. Morillo	D. Jaeger	28-05-2024	0.07
PART NAME	SPECIFICACIONES			CODE
Saw support	Rectangle profile 130*50*4 mm			3.21.0
DEVELOPED BY	REDESIGNED BY	FILENAME		QTY
		3.21.ipt		1
		LICENSE	DOC. TYPE	SCALE
		CC-BY-SA 4.0	Part	1 : 5
Hanfasser				172 /215

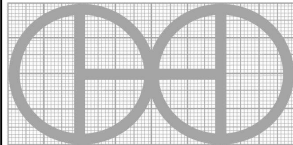


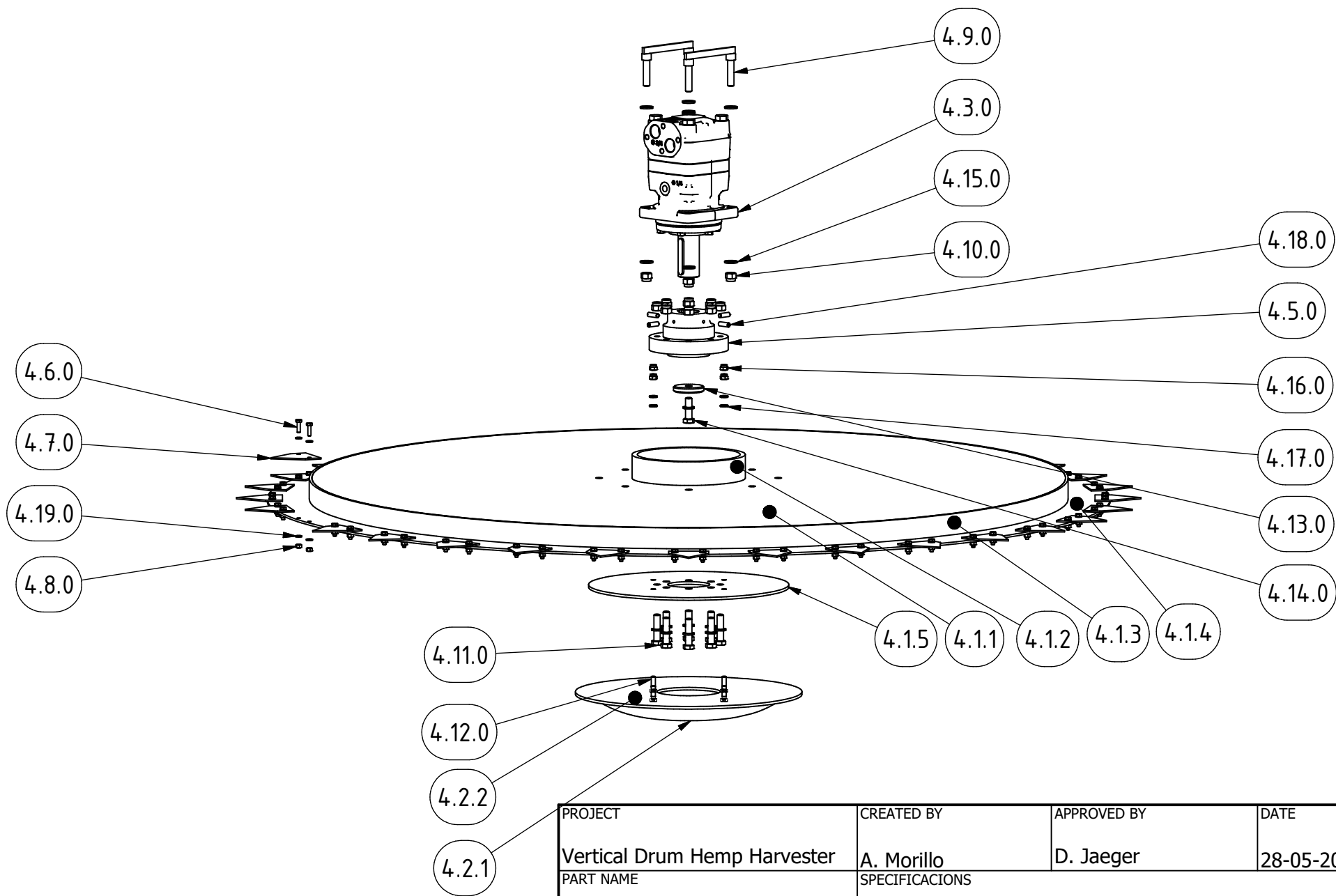
PROJECT	CREATED BY	APPROVED BY	DATE	VERSION	
Vertical Drum Hemp Harvester	A. Morillo	D. Jaeger	28-05-2024	0.07	
PART NAME	SPECIFICACIONES			CODE	
Support reinforcement	Steel 235J2			3.22.0	
DEVELOPED BY	REDESIGNED BY	FILENAME		QTY	
Hanfasser		3.22.ipt		2	
		LICENSE	DOC. TYPE	SCALE	SHEET
		CC-BY-SA 4.0	Part	1 : 1	173 /215

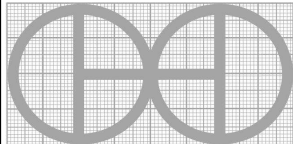
OHO e.v.

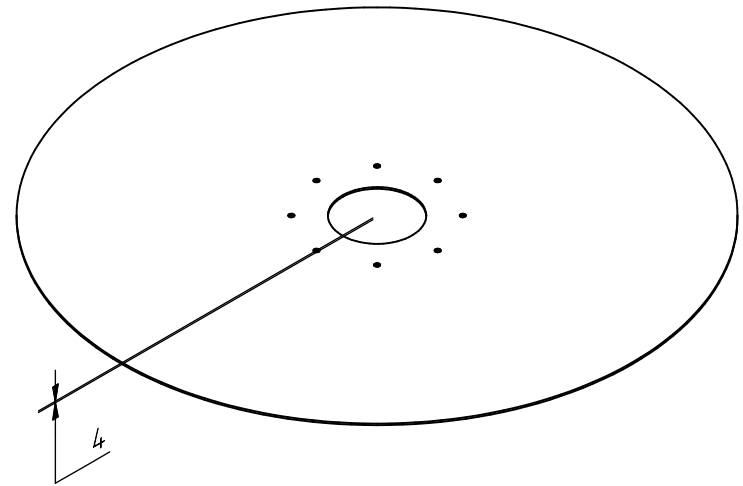
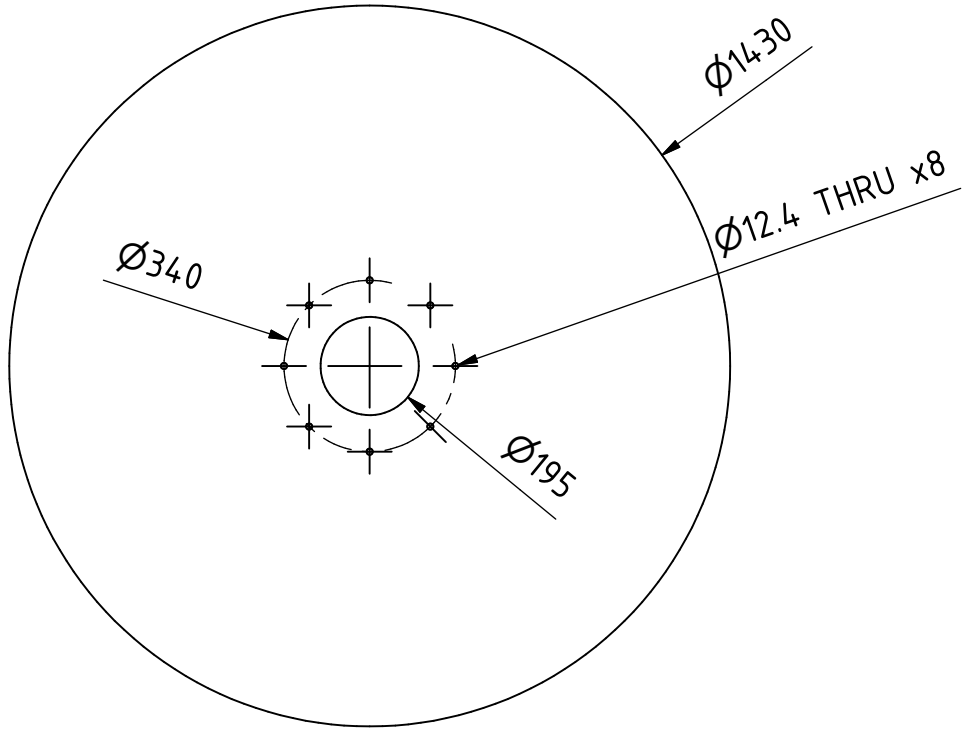


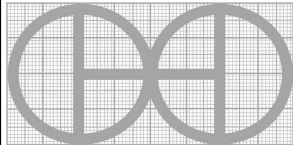
2 bolts pairs welded with flat bars to lock rotation and easier assembly

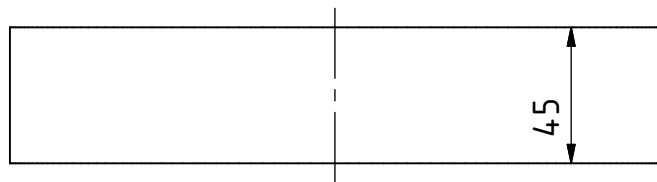
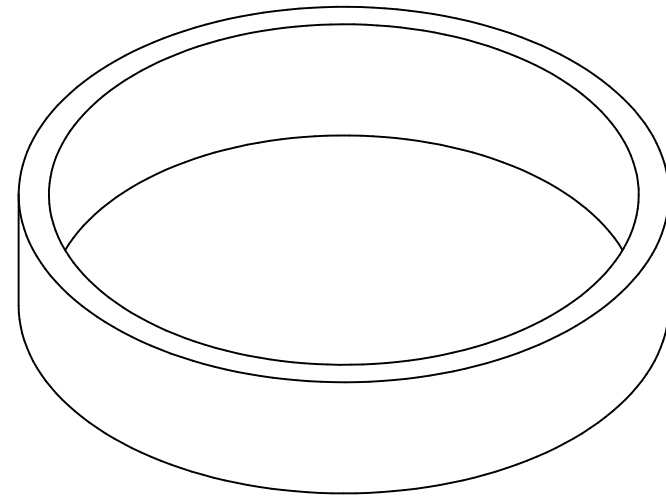
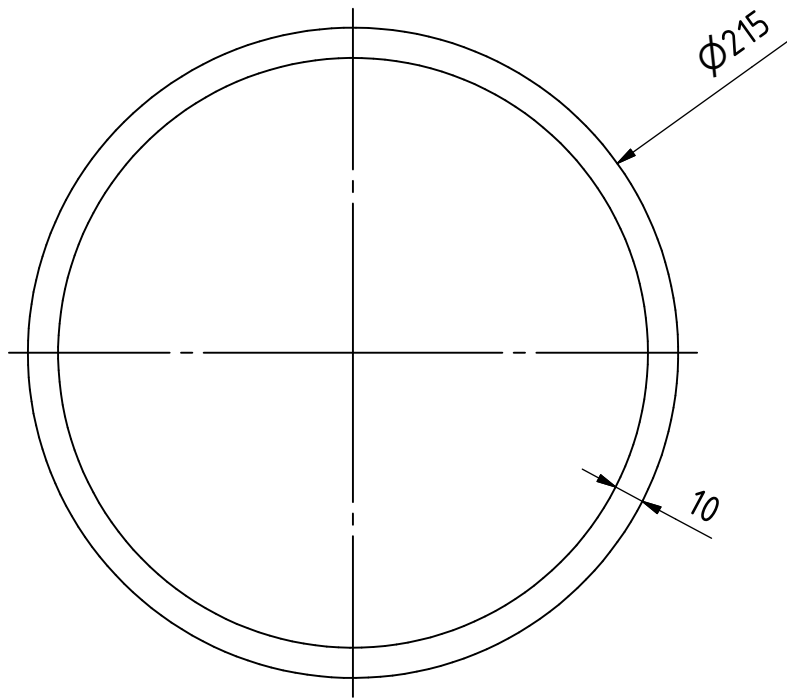
PROJECT		CREATED BY		APPROVED BY		DATE		VERSION		
Vertical Drum Hemp Harvester		A. Morillo		D. Jaeger		28-05-2024		0.07		
PART NAME		SPECIFICACIONES								CODE
Mowing knife discs										4.0.0
DEVELOPED BY		REDESIGNED BY		FILENAME				QTY		
Hanfasser				4.iam				2		
		OHO e.v.		LICENSE		DOC. TYPE		SCALE		
		CC-BY-SA 4.0		Assembly		1 : 10		174 /215		

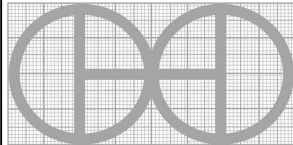


PROJECT	CREATED BY	APPROVED BY	DATE	VERSION
Vertical Drum Hemp Harvester	A. Morillo	D. Jaeger	28-05-2024	0.07
PART NAME	SPECIFICACIONES			CODE
Mowing knife discs				4.0.0
DEVELOPED BY	REDESIGNED BY	FILENAME	QTY	
		4.ipn	2	
		LICENSE	DOC. TYPE	SHEET
Hanfasser		CC-BY-SA 4.0	Assembly	175 /215
		OHO e.V.	SCALE	
			1 : 10	

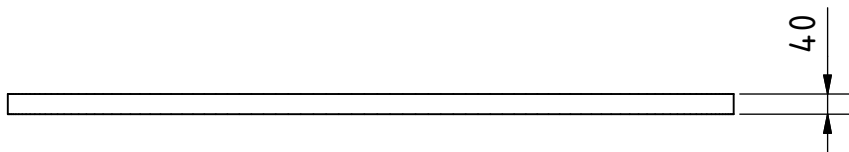
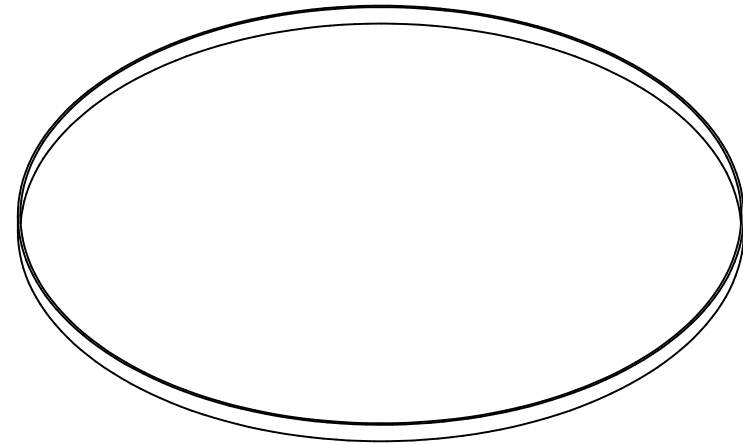
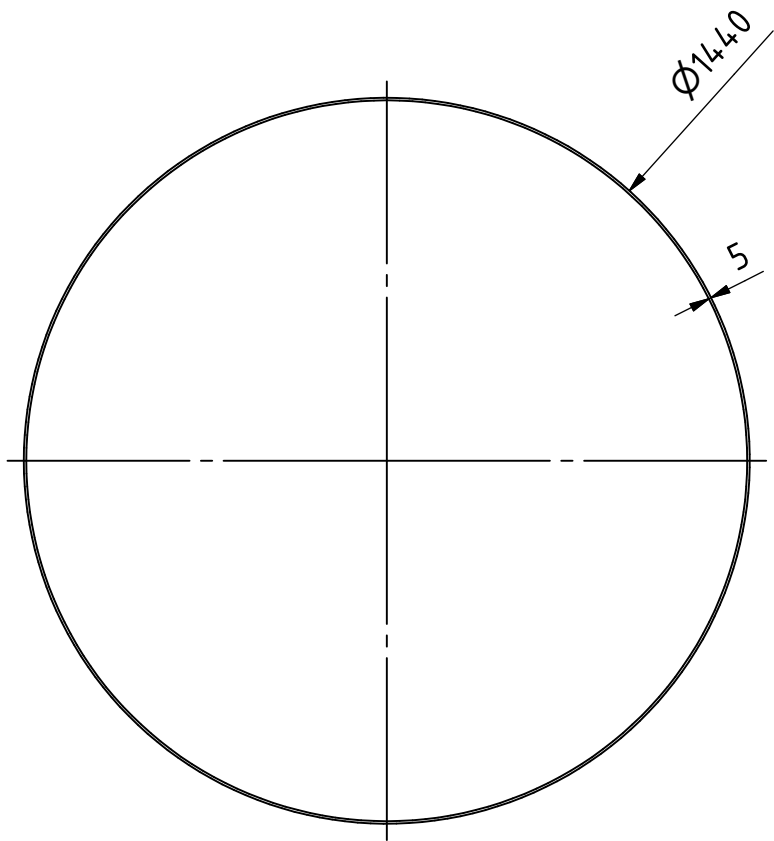


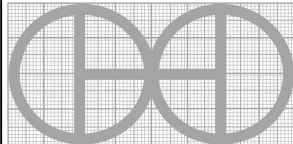
PROJECT	CREATED BY	APPROVED BY	DATE	VERSION	
Vertical Drum Hemp Harvester	A. Morillo	D. Jaeger	28-05-2024	0.07	
PART NAME	SPECIFICACIONES			CODE	
Part 4.1.1	Steel 235J2			4.1.1	
DEVELOPED BY	REDESIGNED BY	FILENAME		QTY	
Hanfasser		4.1.2.ipt		1	
		LICENSE	DOC. TYPE	SCALE	SHEET
		CC-BY-SA 4.0	Part	1 : 15	176 /215



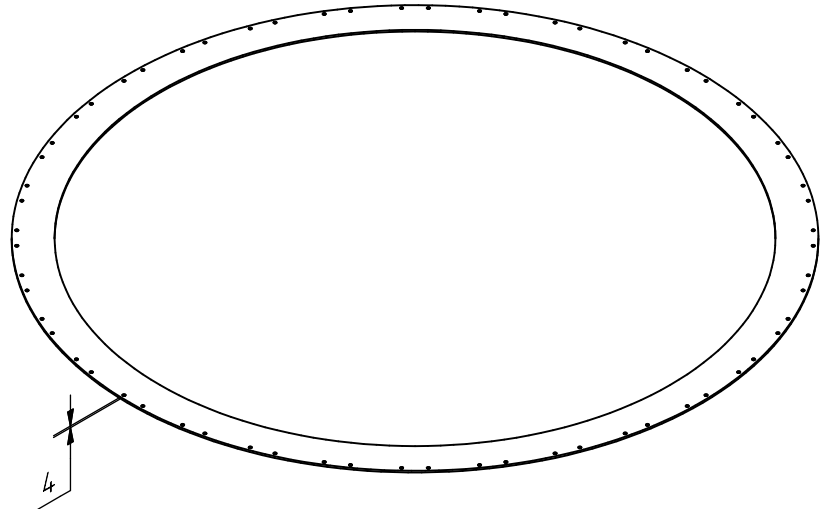
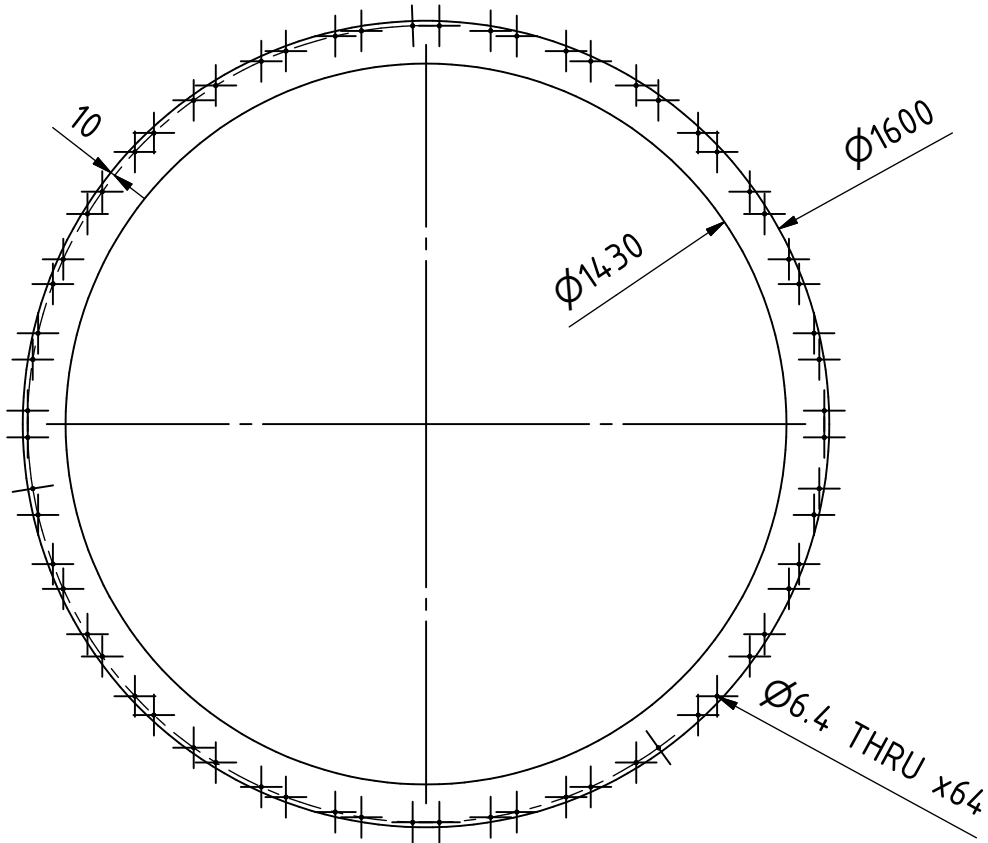
PROJECT	CREATED BY	APPROVED BY	DATE	VERSION	
Vertical Drum Hemp Harvester	A. Morillo	D. Jaeger	28-05-2024	0.07	
PART NAME	SPECIFICACIONES			CODE	
Part 4.1.2	Steel 235J2			4.1.2	
DEVELOPED BY	REDESIGNED BY	FILENAME		QTY	
Hanfasser		4.1.3.ipt		1	
		LICENSE	DOC. TYPE	SCALE	SHEET
		CC-BY-SA 4.0	Part	2 : 5	177 /215

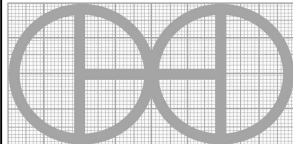
OHO e.V.

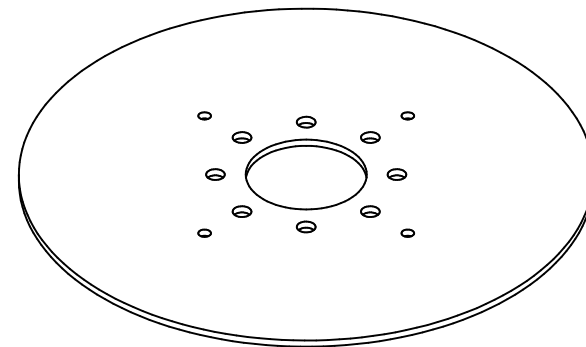
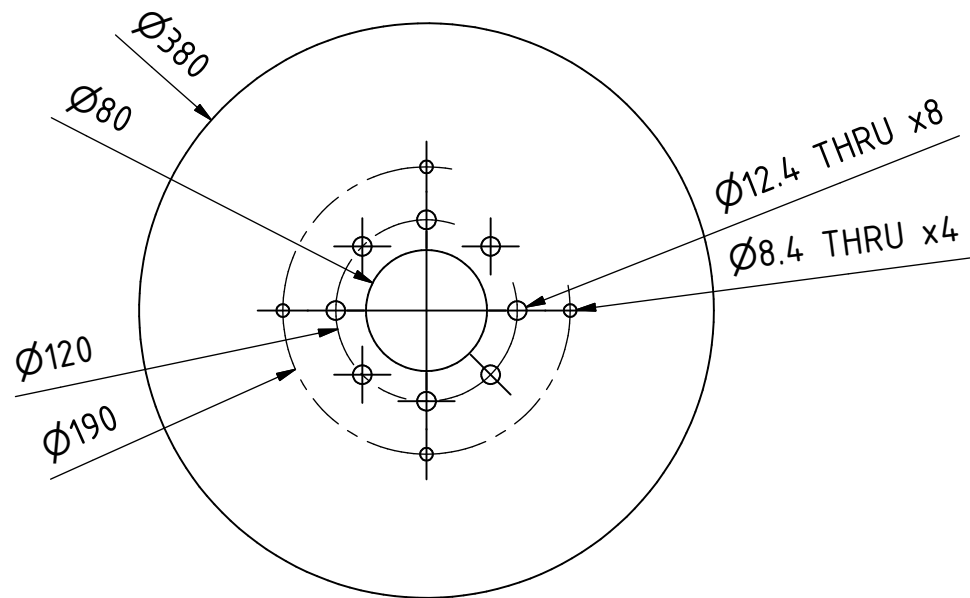


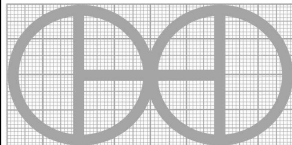
PROJECT	CREATED BY	APPROVED BY	DATE	VERSION	
Vertical Drum Hemp Harvester	A. Morillo	D. Jaeger	28-05-2024	0.07	
PART NAME	SPECIFICACIONES			CODE	
Part 4.1.3	Flat bar 40*5 mm			4.1.3	
DEVELOPED BY	REDESIGNED BY	FILENAME		QTY	
Hanfasser		4.1.4.ipt		1	
		LICENSE	DOC. TYPE	SCALE	SHEET
		CC-BY-SA 4.0	Part	1 : 15	178 /215

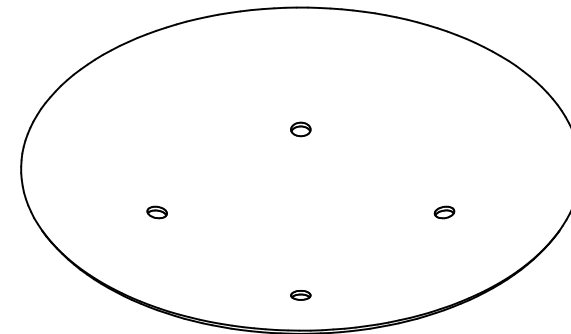
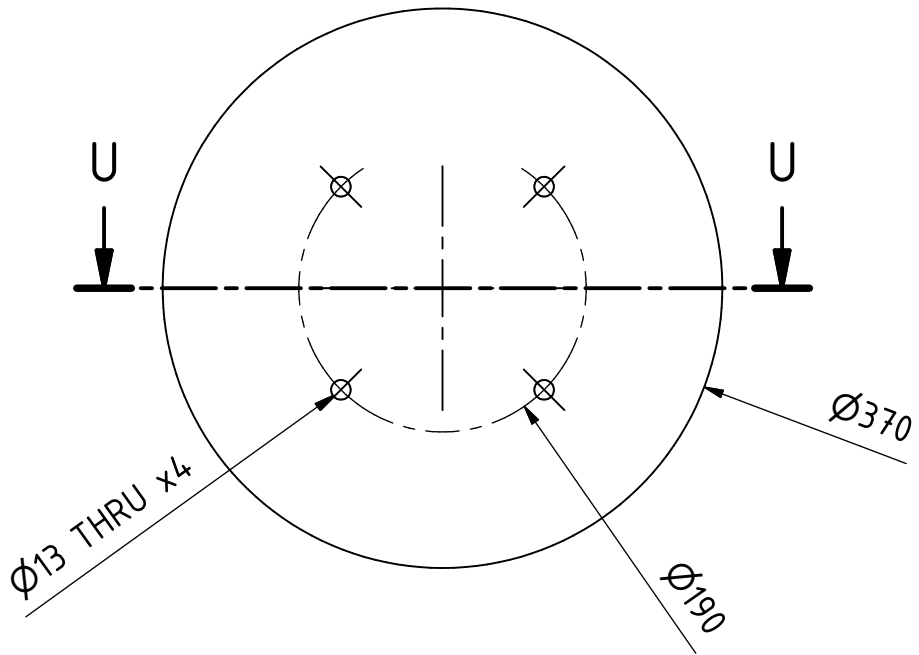
OHO e.V.



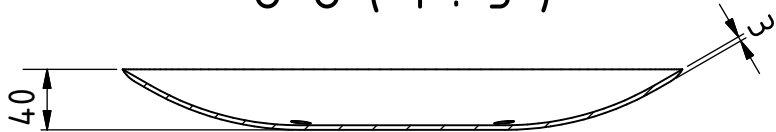
PROJECT		CREATED BY		APPROVED BY		DATE		VERSION		
Vertical Drum Hemp Harvester		A. Morillo		D. Jaeger		28-05-2024		0.07		
PART NAME		SPECIFICACIONES							CODE	
Part 4.1.4		Steel 235J2							4.1.4	
DEVELOPED BY		REDESIGNED BY		FILENAME				QTY		
Hanfasser				4.1.5.ipt				1		
				LICENSE		DOC. TYPE		SCALE		
				CC-BY-SA 4.0		Part		1 : 15		
								179 /215		

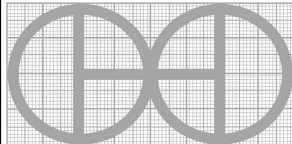


PROJECT	CREATED BY	APPROVED BY	DATE	VERSION	
Vertical Drum Hemp Harvester	A. Morillo	D. Jaeger	28-05-2024	0.07	
PART NAME	SPECIFICACIONES			CODE	
Part 4.1.5	Steel 235J2			4.1.5	
DEVELOPED BY	REDESIGNED BY	FILENAME		QTY	
Hanfasser		4.1.1.ipt		1	
		LICENSE	DOC. TYPE	SCALE	SHEET
		CC-BY-SA 4.0	Part	1 : 5	180 /215

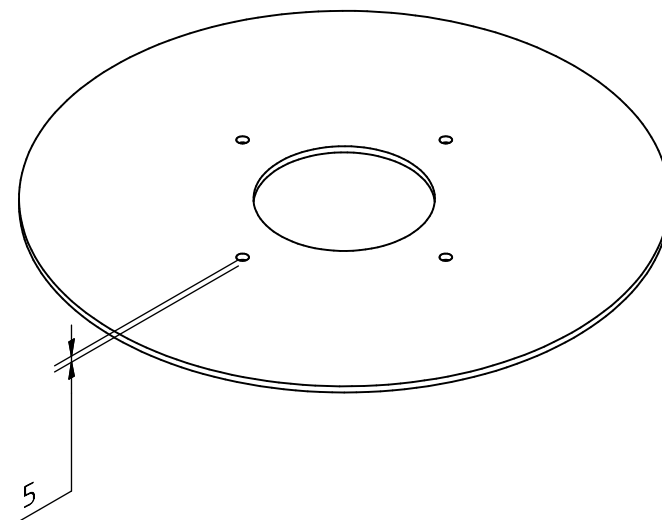
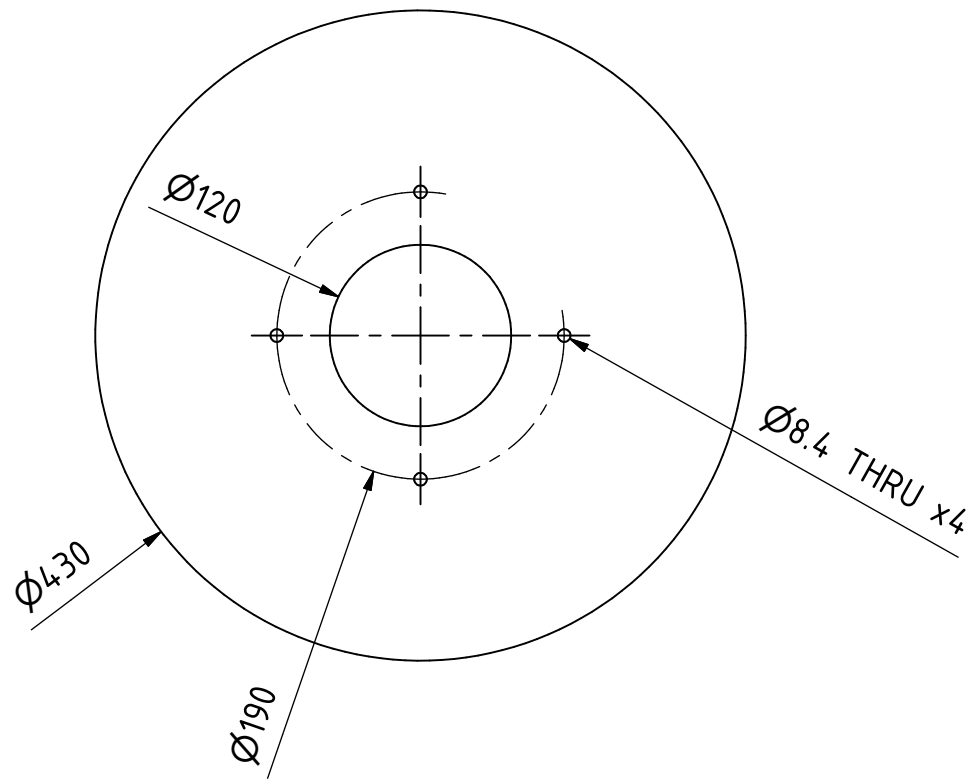


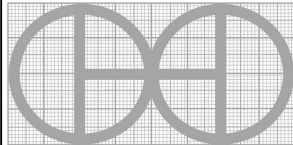
U-U (1 : 5)

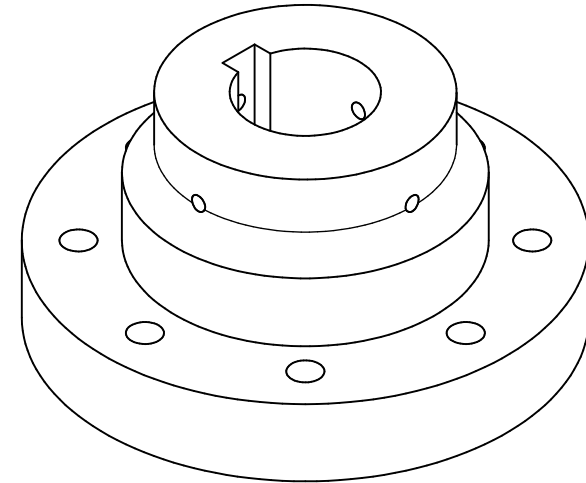
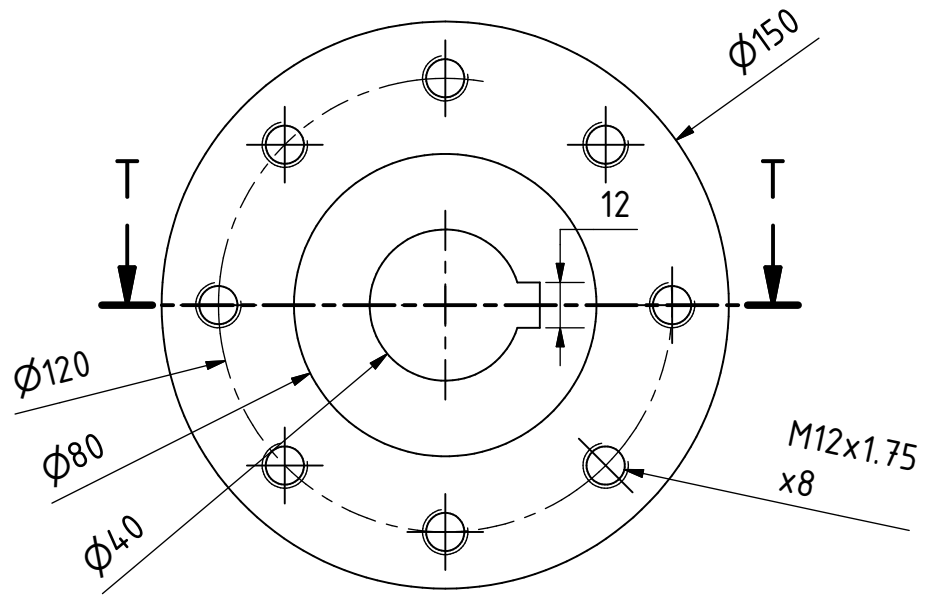


PROJECT	CREATED BY	APPROVED BY	DATE	VERSION
Vertical Drum Hemp Harvester	A. Morillo	D. Jaeger	28-05-2024	0.07
PART NAME	SPECIFICACIONES			CODE
Part 4.2.1	Steel 235J2			4.2.1
DEVELOPED BY	REDESIGNED BY	FILENAME		QTY
		4.1.6.ipt		1
Hanfasser		LICENSE	DOC. TYPE	SHEET
		CC-BY-SA 4.0	Part	181 /215
			SCALE	
			1 : 5	

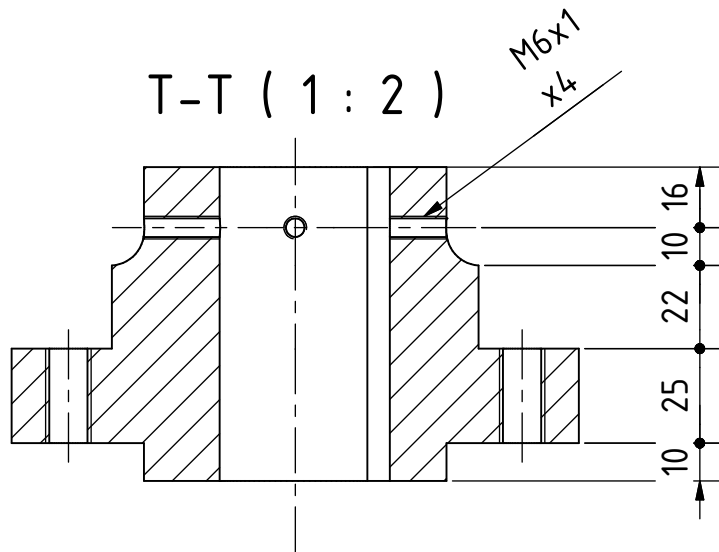
OHO e.V.

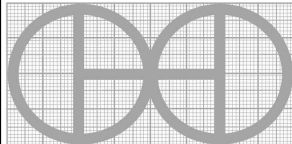


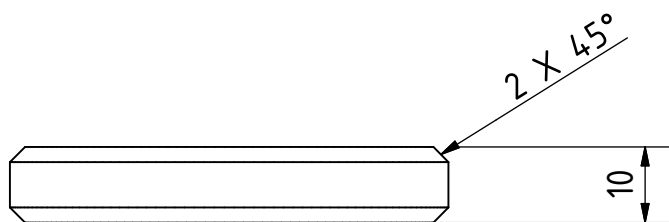
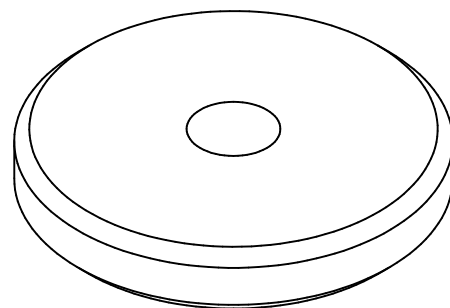
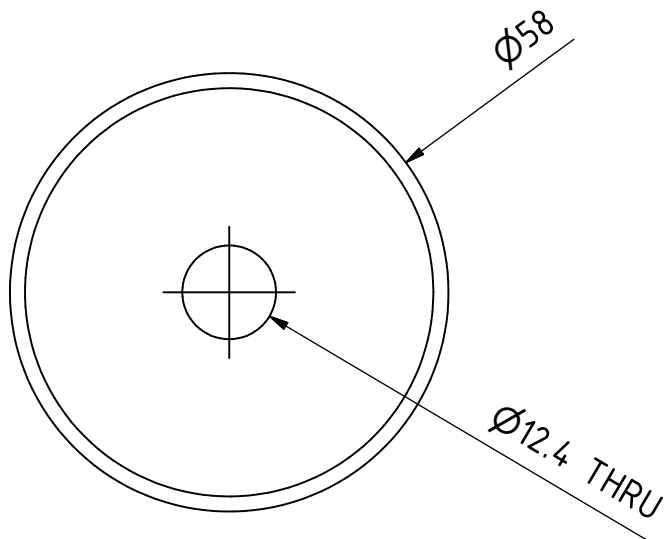
PROJECT	CREATED BY	APPROVED BY	DATE	VERSION	
Vertical Drum Hemp Harvester	A. Morillo	D. Jaeger	28-05-2024	0.07	
PART NAME	SPECIFICACIONES			CODE	
Part 4.2.2	Steel 235J2			4.2.2	
DEVELOPED BY	REDESIGNED BY	FILENAME		QTY	
Hanfasser		4.1.7.ipt		1	
		LICENSE	DOC. TYPE	SCALE	SHEET
		CC-BY-SA 4.0	Part	1 : 5	182 /215

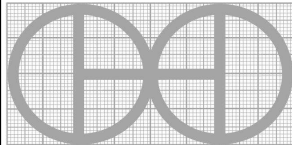


T-T (1 : 2)

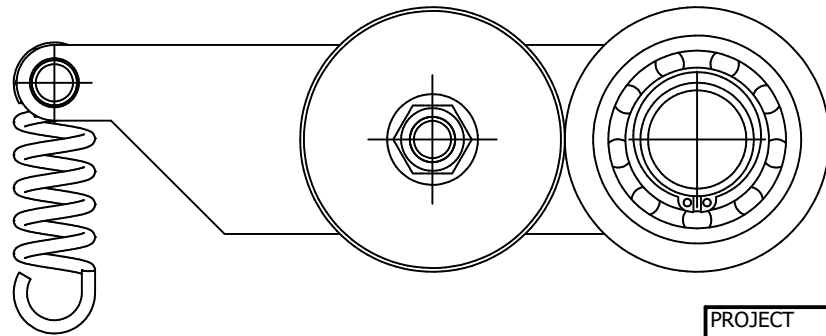
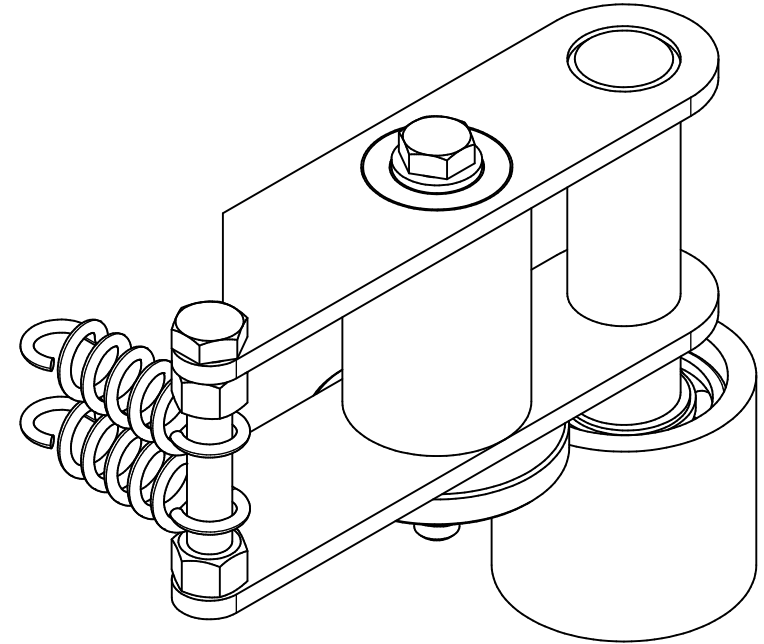
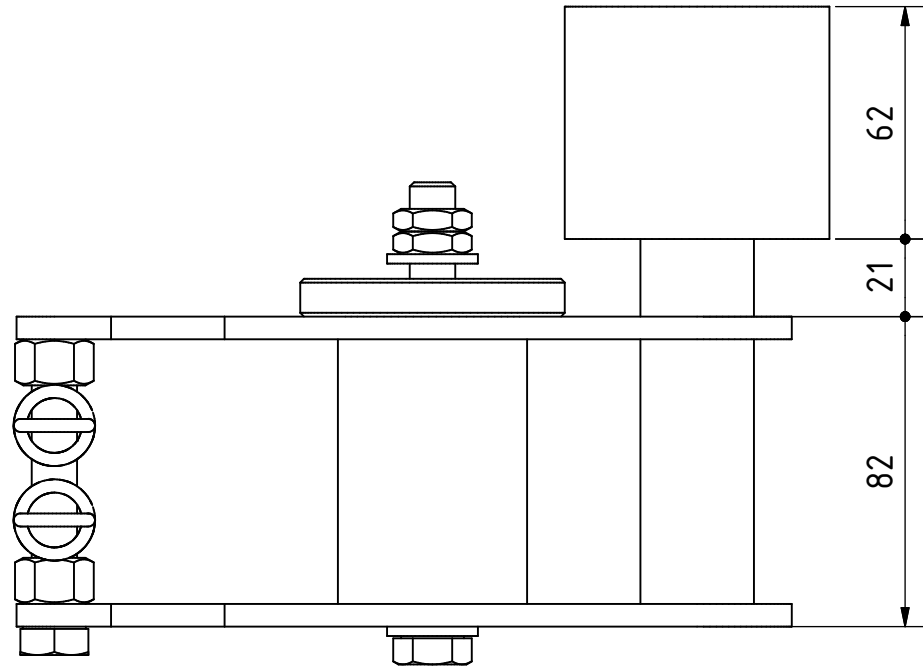


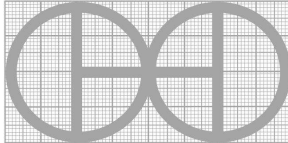
PROJECT	CREATED BY	APPROVED BY	DATE	VERSION
Vertical Drum Hemp Harvester	A. Morillo	D. Jaeger	28-05-2024	0.07
PART NAME	SPECIFICACIONES			CODE
Adapter flange	Steel 235J2			4.5.0
DEVELOPED BY	REDESIGNED BY	FILENAME		QTY
		4.4.ipt		1
		LICENSE	DOC. TYPE	SCALE
Hanfasser		CC-BY-SA 4.0	Part	1 : 2
				SHEET
				183 /215



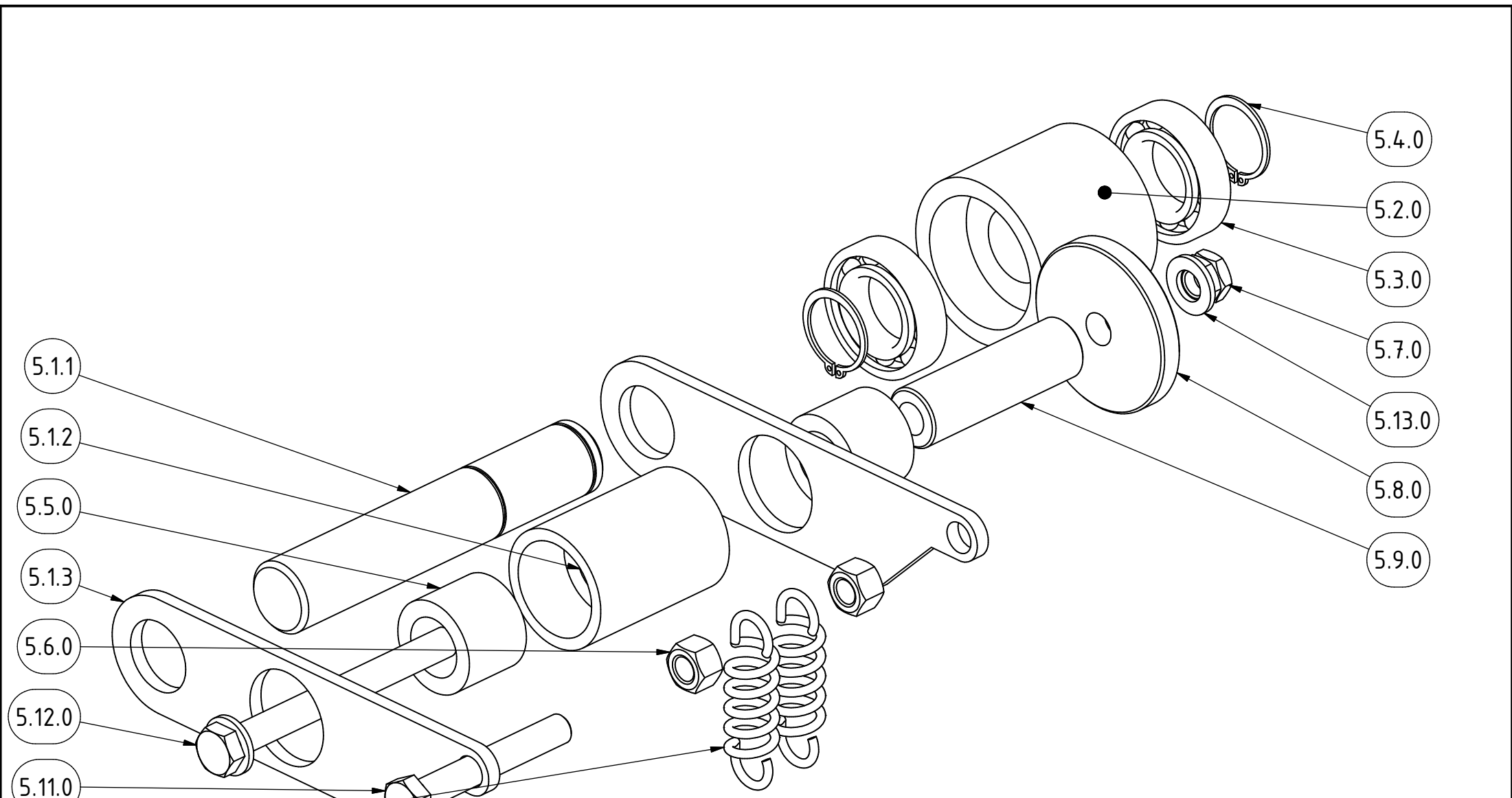
PROJECT	CREATED BY	APPROVED BY	DATE	VERSION	
Vertical Drum Hemp Harvester	A. Morillo	D. Jaeger	28-05-2024	0.07	
PART NAME	SPECIFICACIONES			CODE	
U-Washer special	Steel 235J2			4.13.0	
DEVELOPED BY	REDESIGNED BY	FILENAME		QTY	
Hanfasser		4.13.ipt		1	
		LICENSE	DOC. TYPE	SCALE	SHEET
		CC-BY-SA 4.0	Part	1 : 1	184 / 215

OHO e.V.



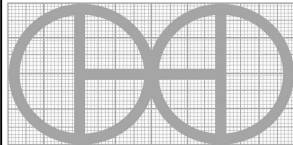
PROJECT	CREATED BY	APPROVED BY	DATE	VERSION
Vertical Drum Hemp Harvester	A. Morillo	D. Jaeger	28-05-2024	0.07
PART NAME	SPECIFICACIONES			CODE
Tensioning pulley for toothed belt				5.0.0
DEVELOPED BY	REDESIGNED BY	FILENAME		QTY
		5.iam		2
Hanfasser		LICENSE	DOC. TYPE	SCALE
		CC-BY-SA 4.0	Assembly	1 : 2
				SHEET
				185 /215

OHO e.V.

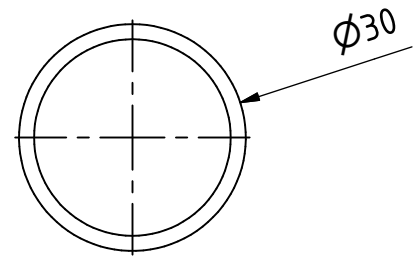
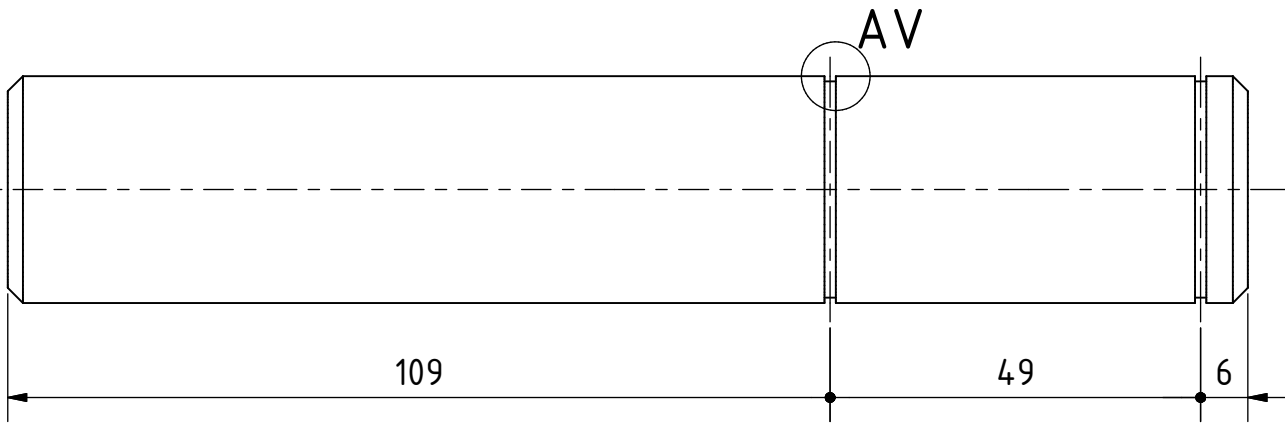


- 5.1.1
- 5.1.2
- 5.5.0
- 5.1.3
- 5.6.0
- 5.12.0
- 5.11.0
- 5.10.0

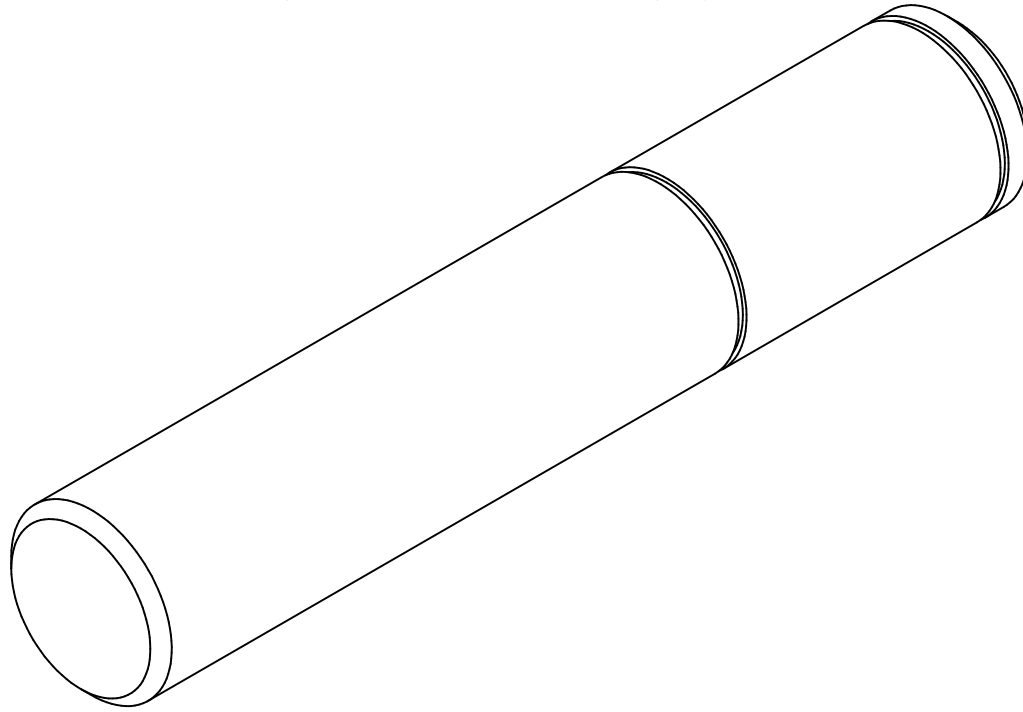
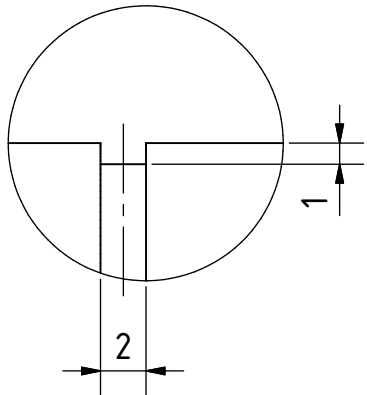
- 5.4.0
- 5.2.0
- 5.3.0
- 5.7.0
- 5.13.0
- 5.8.0
- 5.9.0

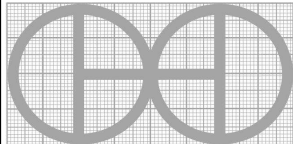
PROJECT		CREATED BY	APPROVED BY	DATE	VERSION
Vertical Drum Hemp Harvester		A. Morillo	D. Jaeger	28-05-2024	0.07
PART NAME		SPECIFICACIONES			CODE
Tensioning pulley for toothed belt					5.0.0
DEVELOPED BY		REDESIGNED BY	FILENAME		QTY
Hanfasser			5.ipn		2
		LICENSE	DOC. TYPE	SCALE	SHEET
		CC-BY-SA 4.0	Assembly	1 : 2	186 /215

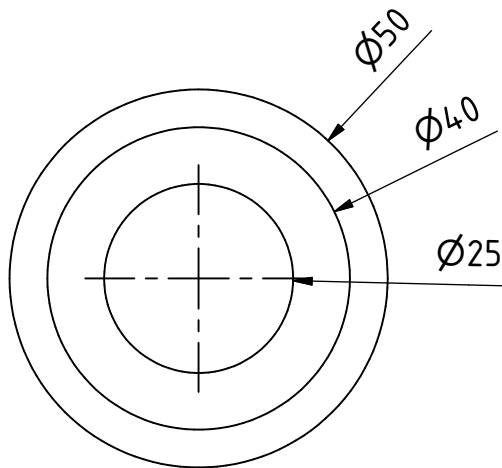
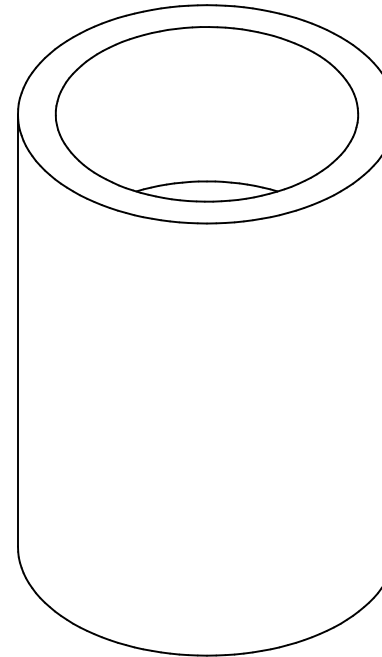
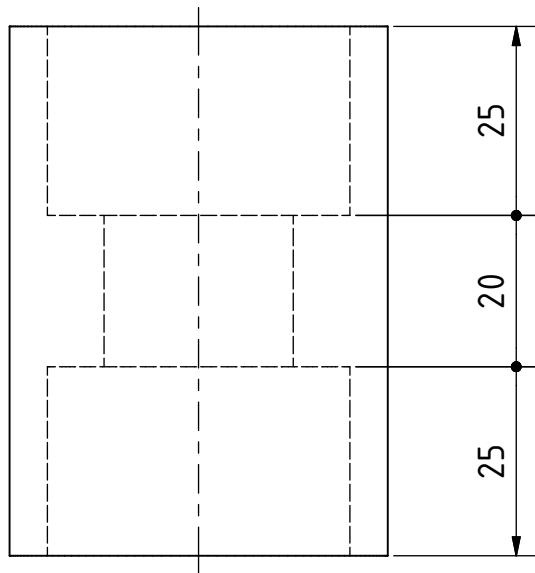
OHO e.V.

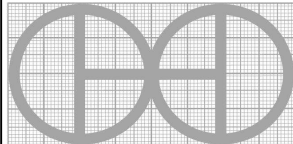


AV (4 : 1)

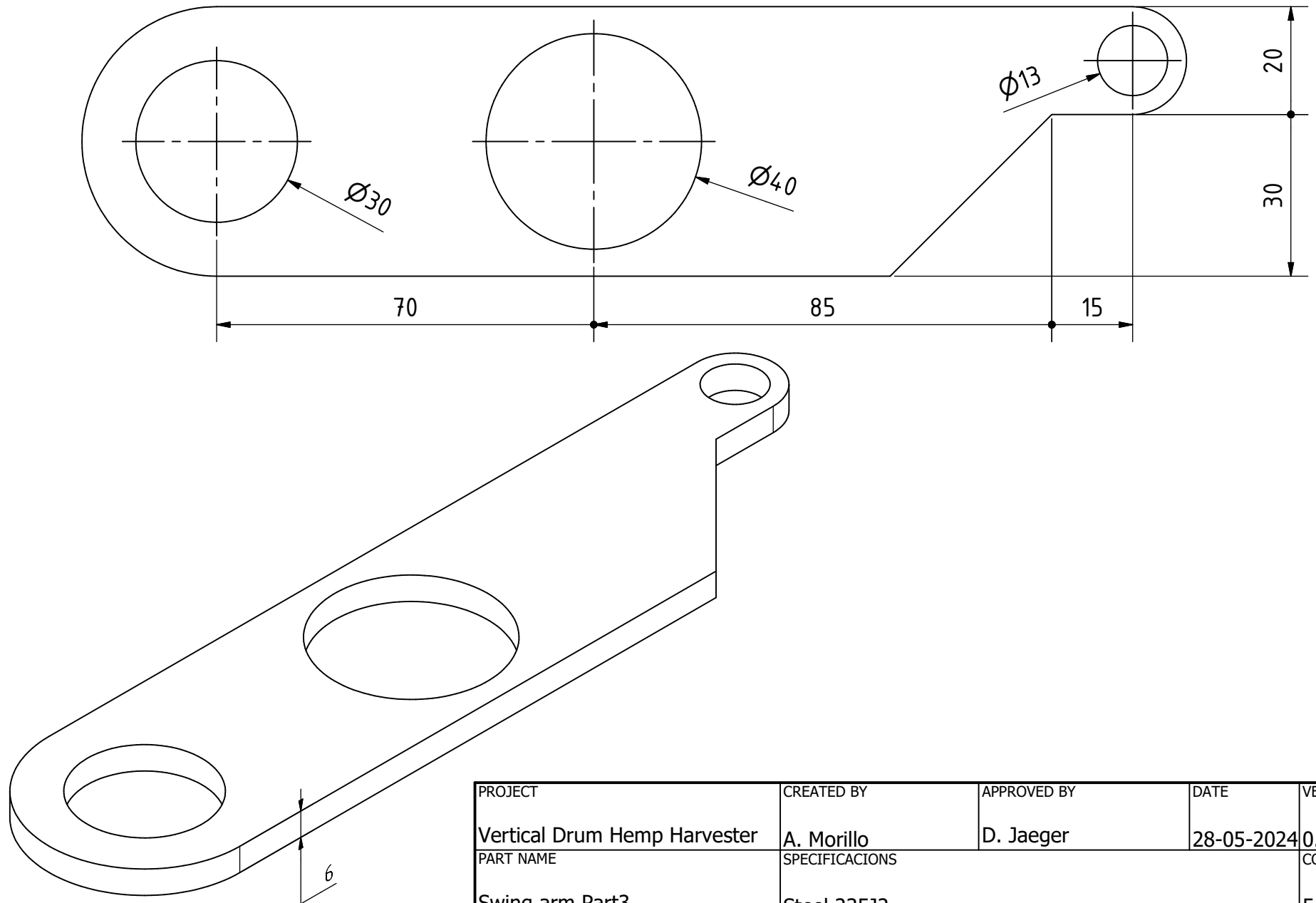


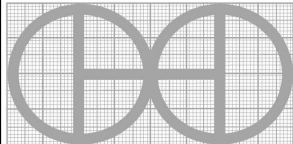
PROJECT	CREATED BY	APPROVED BY	DATE	VERSION	
Vertical Drum Hemp Harvester	A. Morillo	D. Jaeger	28-05-2024	0.07	
PART NAME	SPECIFICACIONES			CODE	
Swing arm Part1	Steel 235J2			5.1.1	
DEVELOPED BY	REDESIGNED BY	FILENAME		QTY	
Hanfasser		5.1.3.ipt		1	
		LICENSE	DOC. TYPE	SCALE	SHEET
		CC-BY-SA 4.0	Part	1 : 1	187 /215

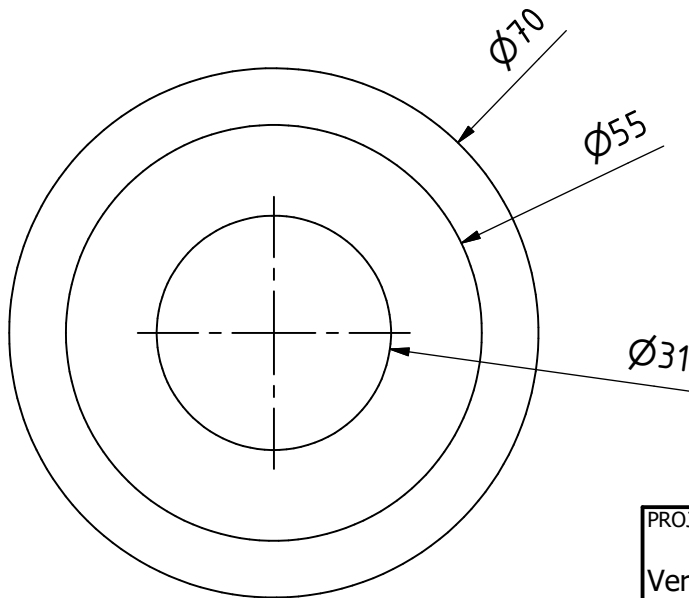
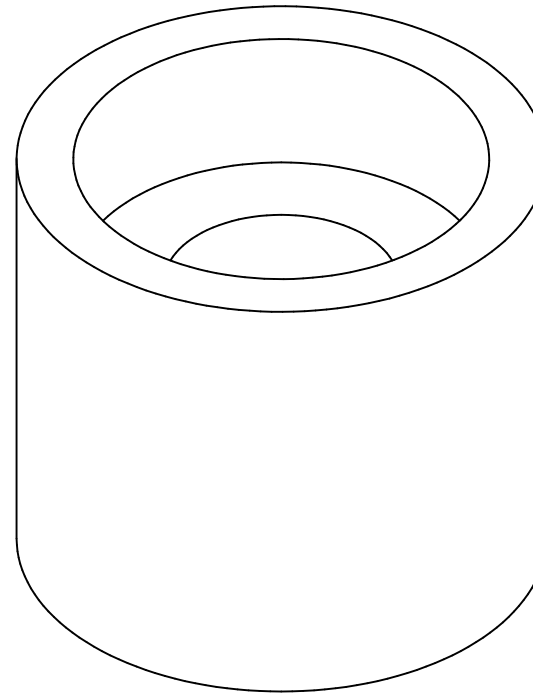
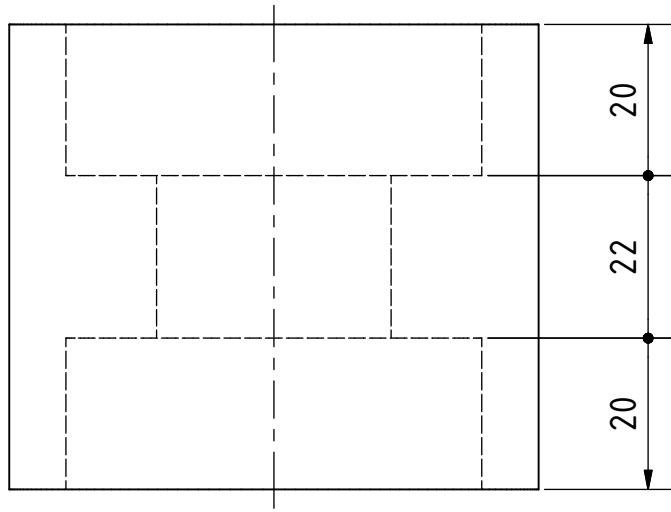


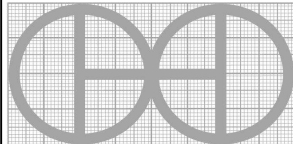
PROJECT	CREATED BY	APPROVED BY	DATE	VERSION	
Vertical Drum Hemp Harvester	A. Morillo	D. Jaeger	28-05-2024	0.07	
PART NAME	SPECIFICACIONES			CODE	
Swing arm Part2	Steel 235J2			5.1.2	
DEVELOPED BY	REDESIGNED BY	FILENAME		QTY	
Hanfasser		5.1.2.ipt		1	
		LICENSE	DOC. TYPE	SCALE	SHEET
		CC-BY-SA 4.0	Part	1 : 1	188 /215

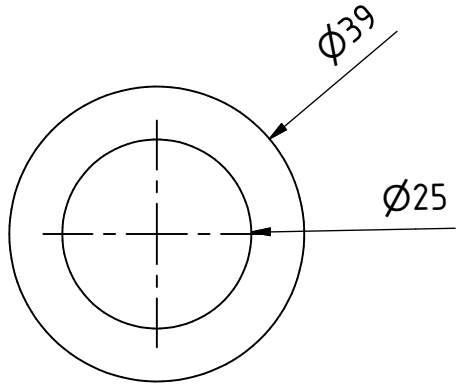
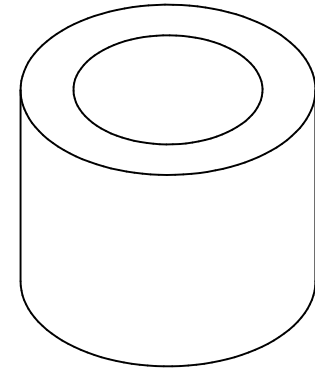
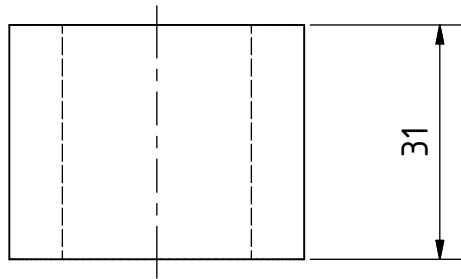
OHO e.V.

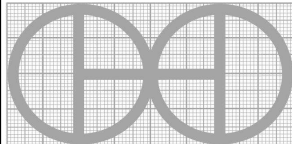


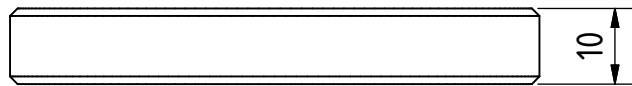
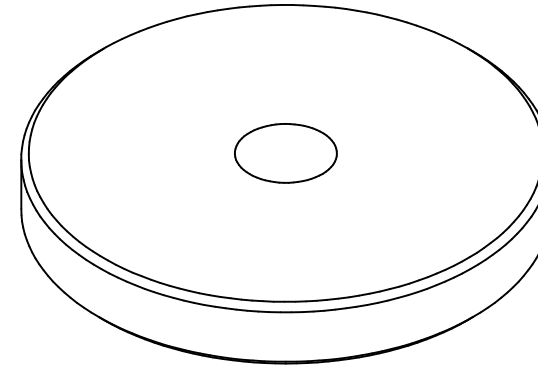
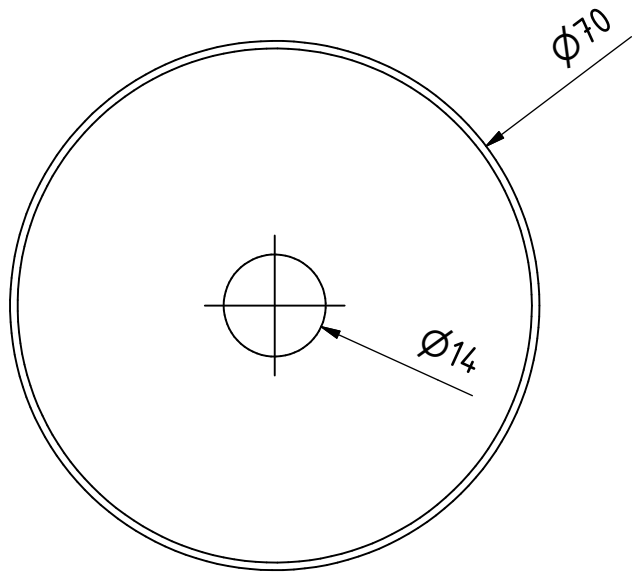
PROJECT	CREATED BY	APPROVED BY	DATE	VERSION
Vertical Drum Hemp Harvester	A. Morillo	D. Jaeger	28-05-2024	0.07
PART NAME	SPECIFICACIONES			CODE
Swing arm Part3	Steel 235J2			5.1.3
DEVELOPED BY	REDESIGNED BY	FILENAME		QTY
		5.1.1.ipt		2
Hanfasser		LICENSE	DOC. TYPE	SCALE
		CC-BY-SA 4.0	Part	1 : 1
				189 /215

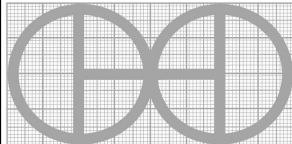


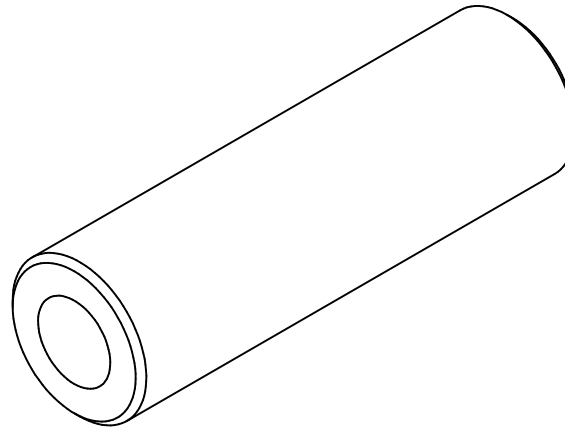
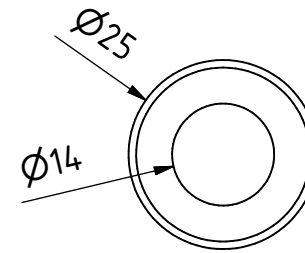
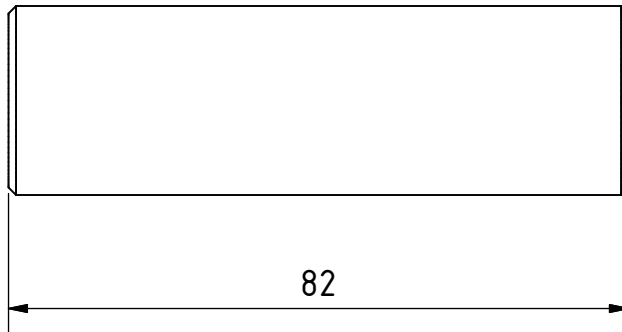
PROJECT	CREATED BY	APPROVED BY	DATE	VERSION	
Vertical Drum Hemp Harvester	A. Morillo	D. Jaeger	28-05-2024	0.07	
PART NAME	SPECIFICACIONES			CODE	
Roller	Steel 235J2			5.2.0	
DEVELOPED BY	REDESIGNED BY	FILENAME		QTY	
Hanfasser		5.2.ipt		1	
		LICENSE	DOC. TYPE	SCALE	SHEET
		CC-BY-SA 4.0	Part	1 : 1	190 /215

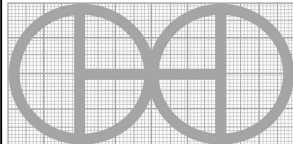


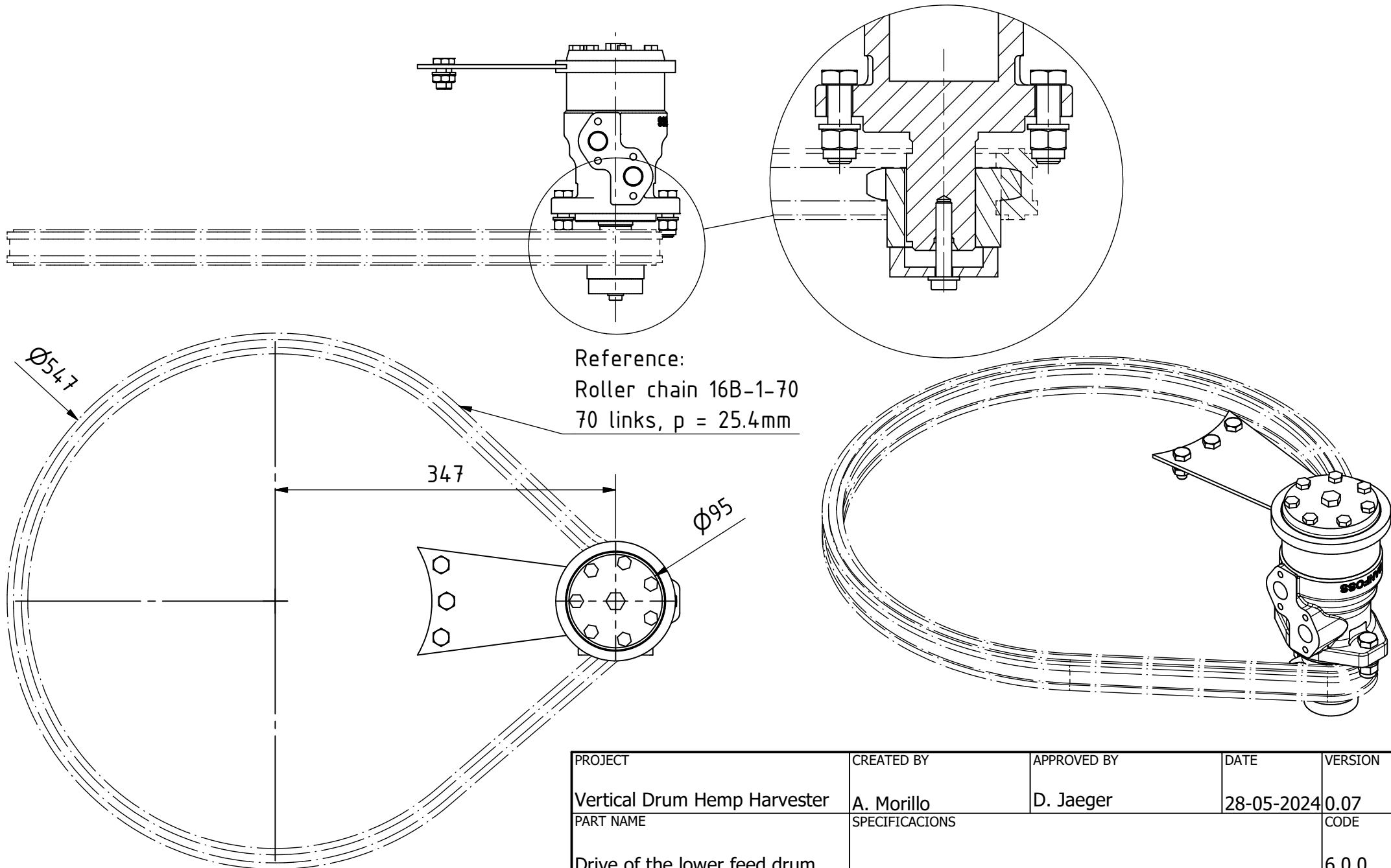
PROJECT		CREATED BY		APPROVED BY		DATE		VERSION		
Vertical Drum Hemp Harvester		A. Morillo		D. Jaeger		28-05-2024		0.07		
PART NAME		SPECIFICACIONES							CODE	
Bush (polyamide)		Polyamide							5.5.0	
DEVELOPED BY		REDESIGNED BY		FILENAME				QTY		
Hanfasser				5.5.ipt				2		
				LICENSE		DOC. TYPE		SCALE		
				CC-BY-SA 4.0		Part		1 : 1		
								191 /215		

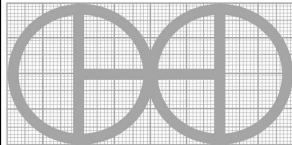


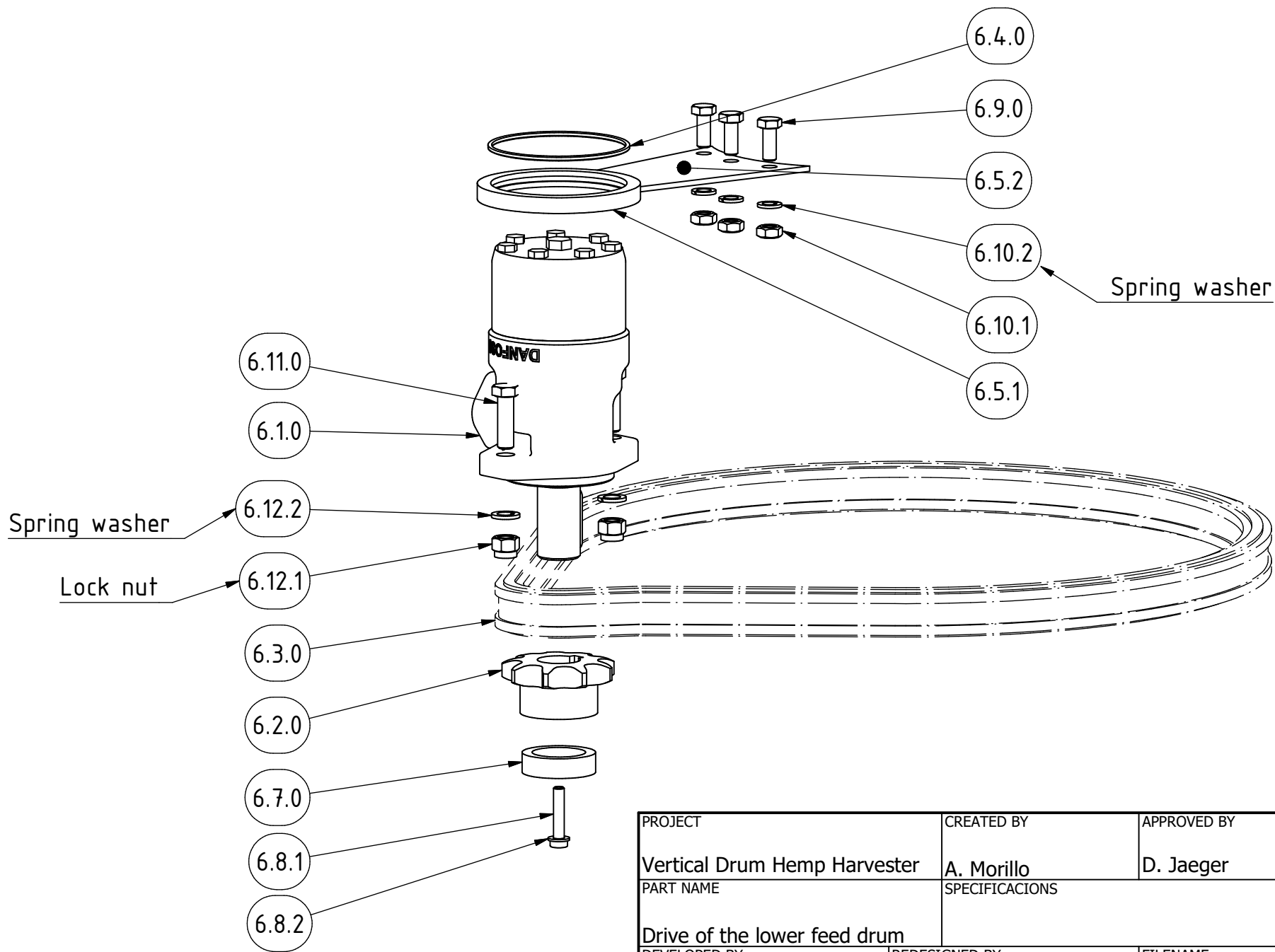
PROJECT	CREATED BY	APPROVED BY	DATE	VERSION	
Vertical Drum Hemp Harvester	A. Morillo	D. Jaeger	28-05-2024	0.07	
PART NAME	SPECIFICACIONES			CODE	
U-Washer special	Steel 235J2			5.8.0	
DEVELOPED BY	REDESIGNED BY	FILENAME		QTY	
Hanfasser		OHO e.V. 5.8.ipt		1	
		LICENSE	DOC. TYPE	SCALE	SHEET
		CC-BY-SA 4.0	Part	1 : 1	192 /215



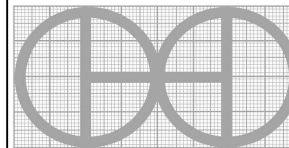
PROJECT	CREATED BY	APPROVED BY	DATE	VERSION	
Vertical Drum Hemp Harvester	A. Morillo	D. Jaeger	28-05-2024	0.07	
PART NAME	SPECIFICACIONES			CODE	
5.9.ipt	Steel 235J2			5.9.0	
DEVELOPED BY	REDESIGNED BY	FILENAME		QTY	
Hanfasser		OHIO e.V. Bearing bolt		1	
		LICENSE	DOC. TYPE	SCALE	SHEET
		CC-BY-SA 4.0	Part	1 : 1	193 /215



PROJECT		CREATED BY		APPROVED BY		DATE		VERSION		
Vertical Drum Hemp Harvester		A. Morillo		D. Jaeger		28-05-2024		0.07		
PART NAME				SPECIFICACIONES				CODE		
Drive of the lower feed drum								6.0.0		
DEVELOPED BY			REDESIGNED BY			FILENAME			QTY	
Hanfasser						6.iam			2	
			OHO e.V.			LICENSE		DOC. TYPE	SCALE	SHEET
			CC-BY-SA 4.0			Assembly		1 : 5	194 /215	

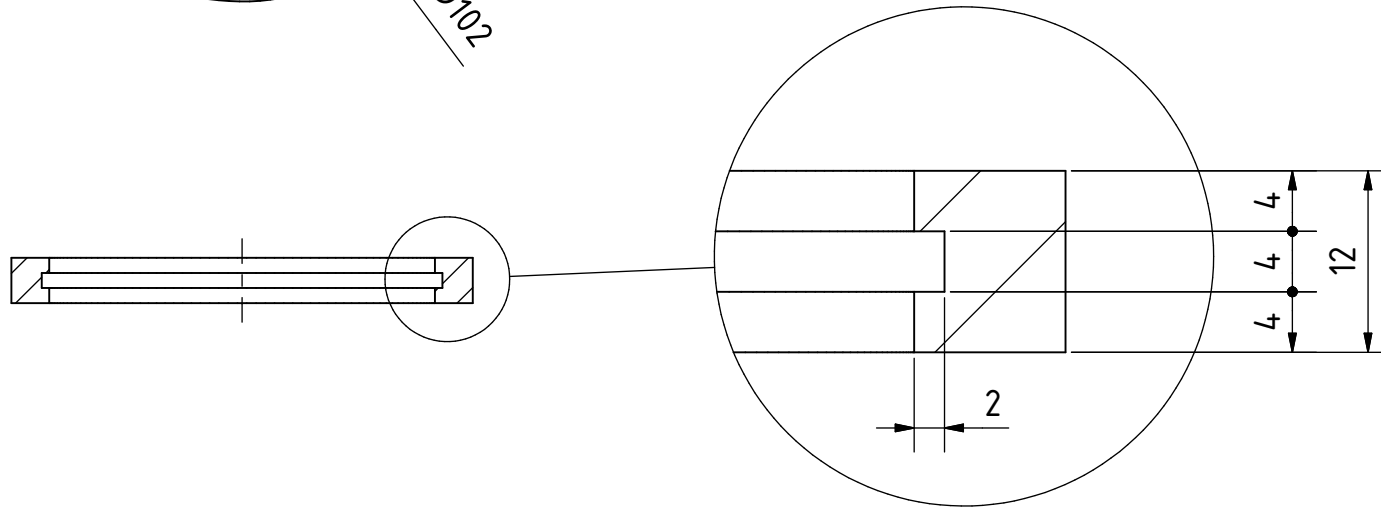
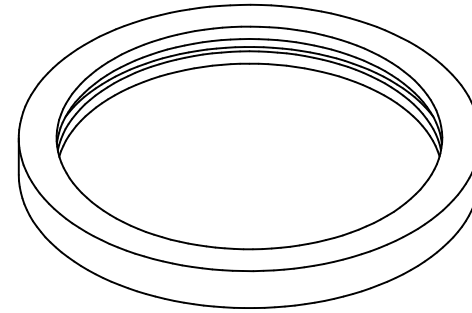
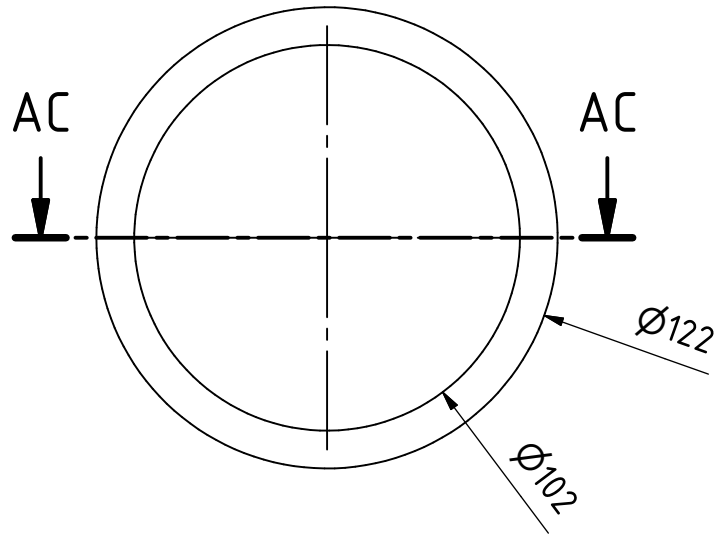


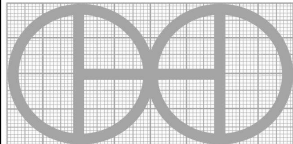
PROJECT	CREATED BY	APPROVED BY	DATE	VERSION
Vertical Drum Hemp Harvester	A. Morillo	D. Jaeger	28-05-2024	0.07
PART NAME	SPECIFICACIONES			CODE
Drive of the lower feed drum				6.0.0
DEVELOPED BY	REDESIGNED BY	FILENAME	QTY	
		6.ipn	2	
		LICENSE	DOC. TYPE	SCALE
		CC-BY-SA 4.0	Assembly	1 : 4
				SHEET
				195 /215

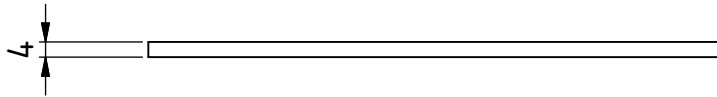
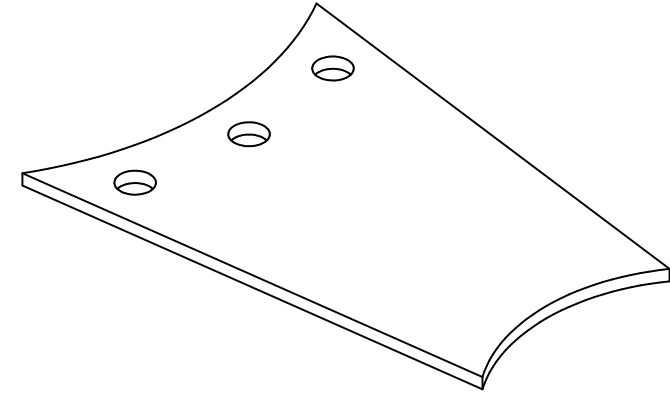
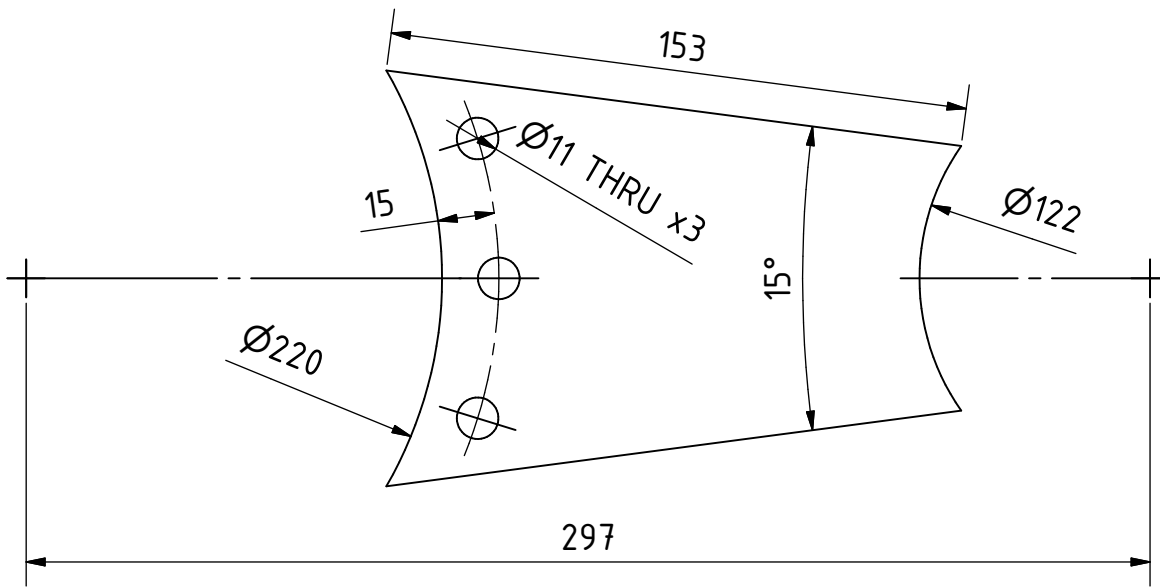


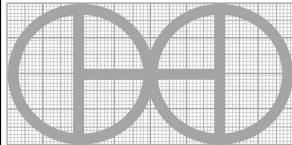
OHO e.V.

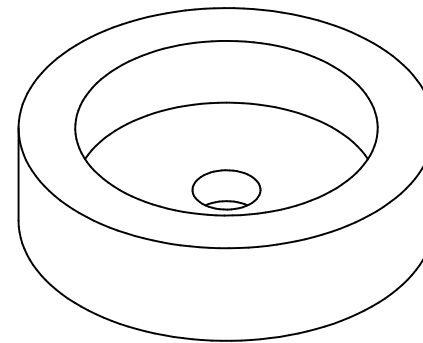
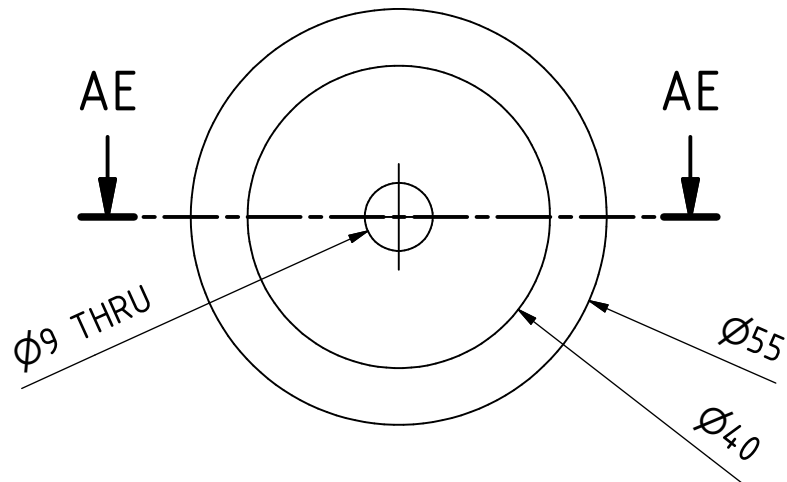
Hanfasser



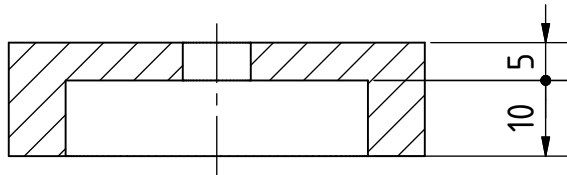
PROJECT	CREATED BY	APPROVED BY	DATE	VERSION	
Vertical Drum Hemp Harvester	A. Morillo	D. Jaeger	28-05-2024	0.07	
PART NAME	SPECIFICACIONES			CODE	
Motor mounting piece	Steel 235J2			6.5.1	
DEVELOPED BY	REDESIGNED BY	FILENAME		QTY	
Hanfasser		6.5_1.ipt		1	
		LICENSE	DOC. TYPE	SCALE	SHEET
		CC-BY-SA 4.0	Part	1 : 2	196 /215

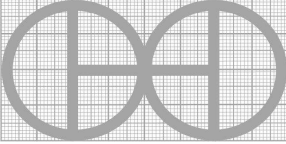


PROJECT	CREATED BY	APPROVED BY	DATE	VERSION	
Vertical Drum Hemp Harvester	A. Morillo	D. Jaeger	28-05-2024	0.07	
PART NAME	SPECIFICACIONES			CODE	
Motor mounting piece - support	Steel 235J2			6.5.2	
DEVELOPED BY	REDESIGNED BY	FILENAME		QTY	
Hanfasser		6.5_2.ipt		1	
		LICENSE	DOC. TYPE	SCALE	SHEET
		CC-BY-SA 4.0	Part	1 : 2	197 /215

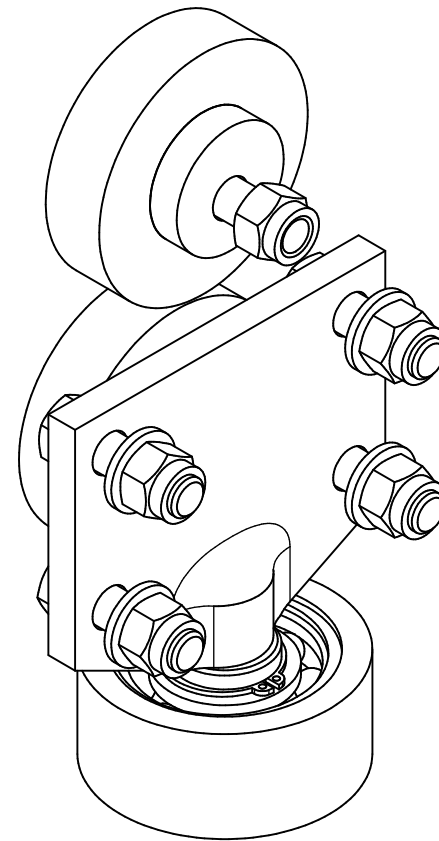
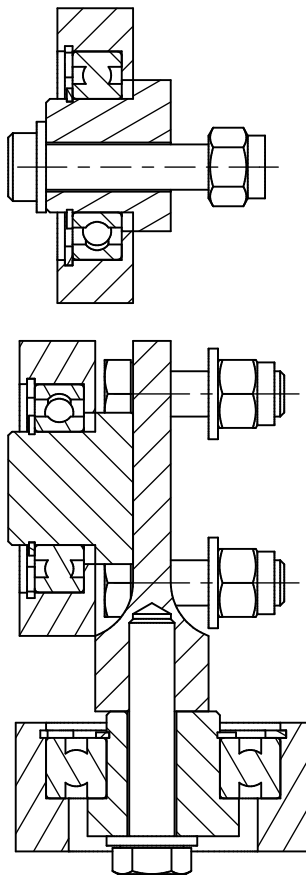
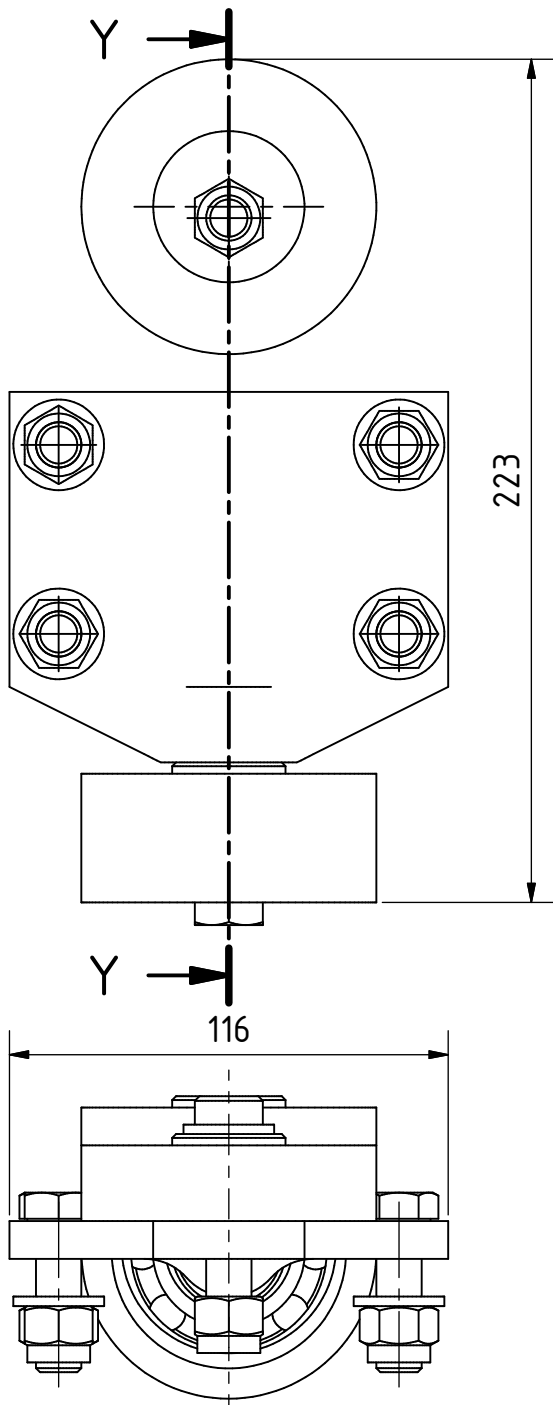


AE-AE (1 : 1)

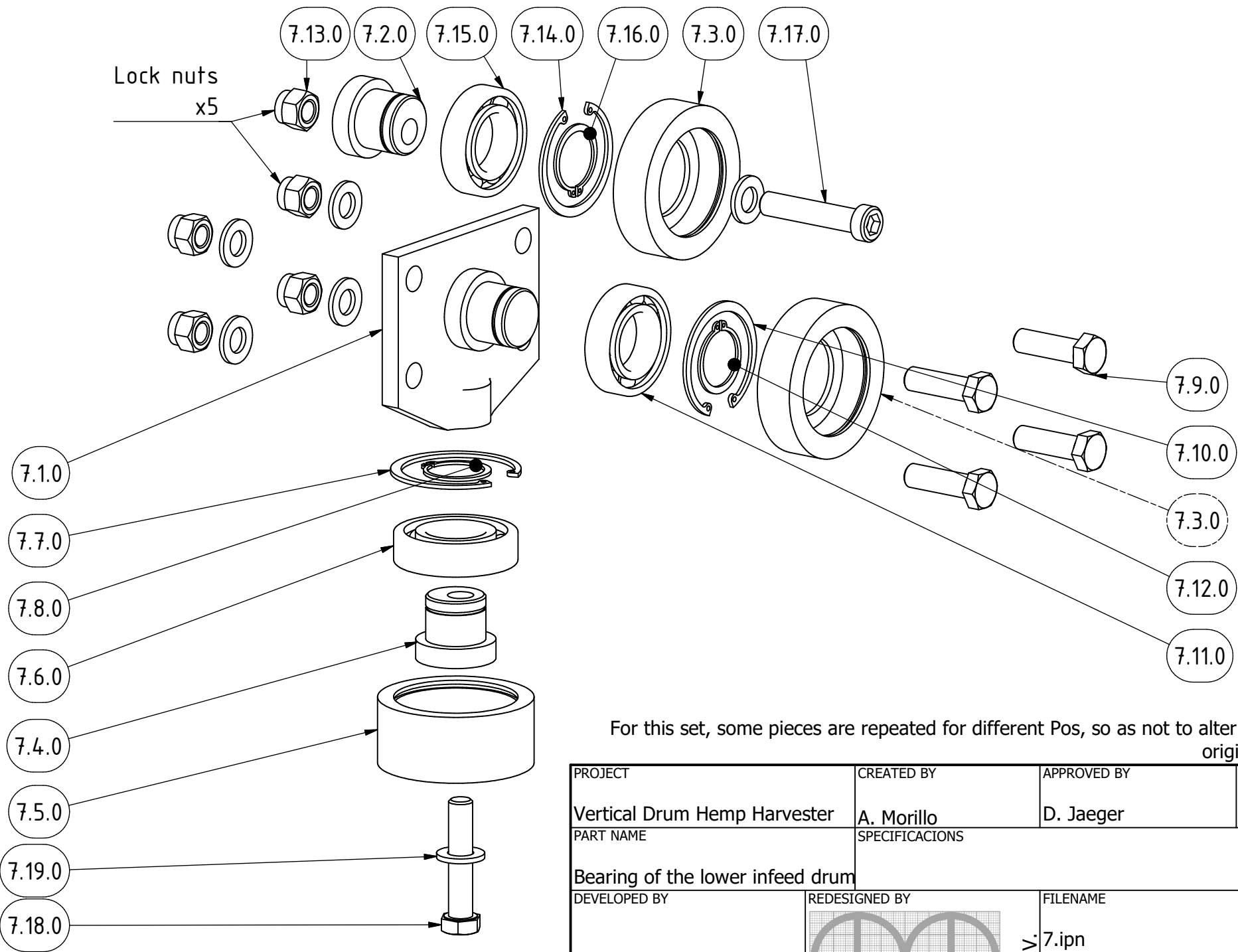


PROJECT	CREATED BY	APPROVED BY	DATE	VERSION
Vertical Drum Hemp Harvester	A. Morillo	D. Jaeger	28-05-2024	0.07
PART NAME	SPECIFICACIONES			CODE
U-Washer	Steel 235J2			6.7.0
DEVELOPED BY	REDESIGNED BY	FILENAME		QTY
		6.7.ipt		1
Hanfasser		LICENSE	DOC. TYPE	SHEET
		CC-BY-SA 4.0	Part	198 /215
		SCALE		
		1 : 1		

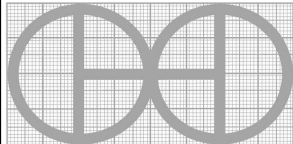
Y-Y (1 : 2)



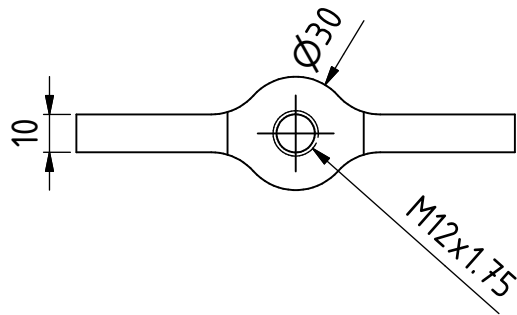
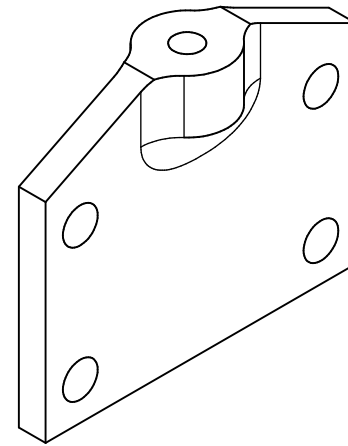
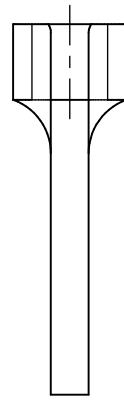
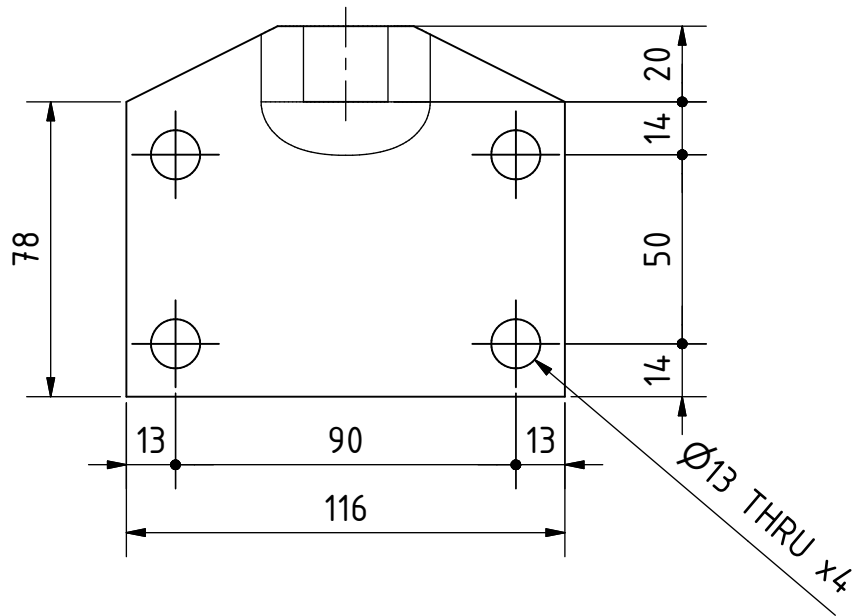
PROJECT	CREATED BY	APPROVED BY	DATE	VERSION
Vertical Drum Hemp Harvester	A. Morillo	D. Jaeger	28-05-2024	0.07
PART NAME	SPECIFICACIONES			CODE
Bearing of the lower infed drum				7.0.0
DEVELOPED BY	REDESIGNED BY	FILENAME		QTY
		7.iam		6
		LICENSE	DOC. TYPE	SCALE
		CC-BY-SA 4.0	Assembly	1 : 2
Handfasser				199 /215

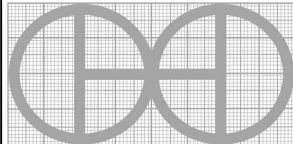


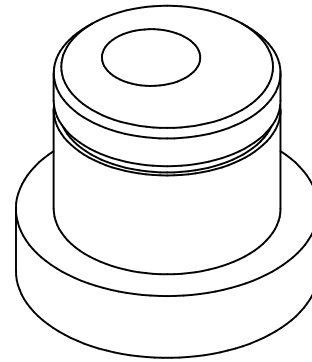
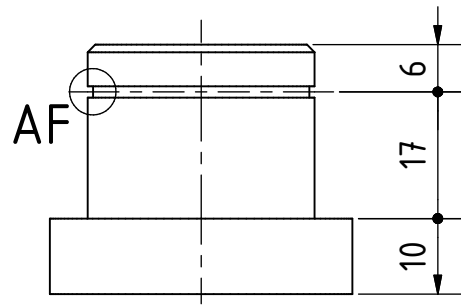
For this set, some pieces are repeated for different Pos, so as not to alter the numbering of the original catalog too much.

PROJECT	CREATED BY	APPROVED BY	DATE	VERSION
Vertical Drum Hemp Harvester	A. Morillo	D. Jaeger	28-05-2024	0.07
PART NAME	SPECIFICACIONES			CODE
Bearing of the lower infeed drum				7.0.0
DEVELOPED BY	REDESIGNED BY	FILENAME		QTY
		7.ipn		6
Hanfasser		LICENSE	DOC. TYPE	SCALE
		CC-BY-SA 4.0	Assembly	2 : 5
				SHEET
				200 /215

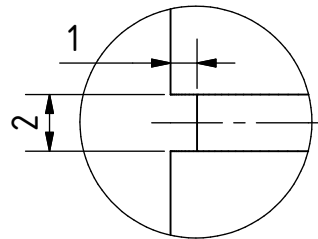
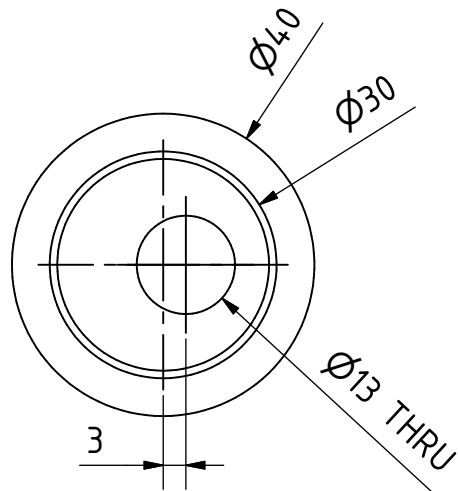
OHO e.V.

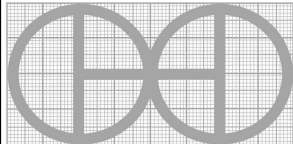


PROJECT	CREATED BY	APPROVED BY	DATE	VERSION
Vertical Drum Hemp Harvester	A. Morillo	D. Jaeger	28-05-2024	0.07
PART NAME	SPECIFICACIONES			CODE
Axle carrier	Steel 235J2			7.1.0
DEVELOPED BY	REDESIGNED BY	FILENAME		QTY
		7.1.ipt		1
Hanfasser		LICENSE	DOC. TYPE	SHEET
		CC-BY-SA 4.0	Part	201 /215
		SCALE	1 : 2	

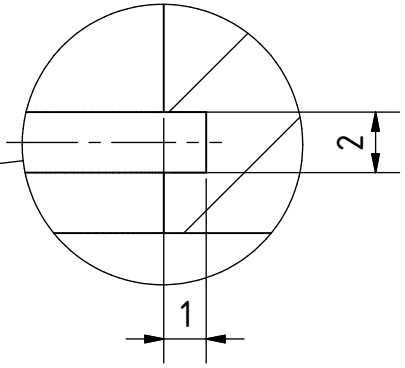
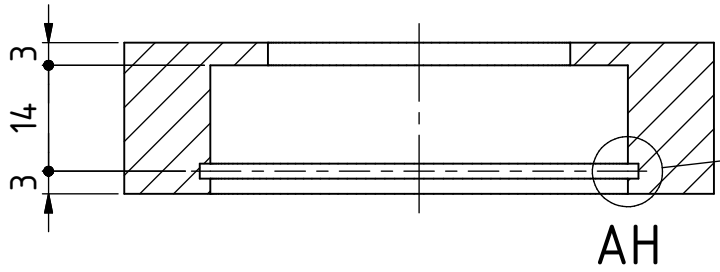
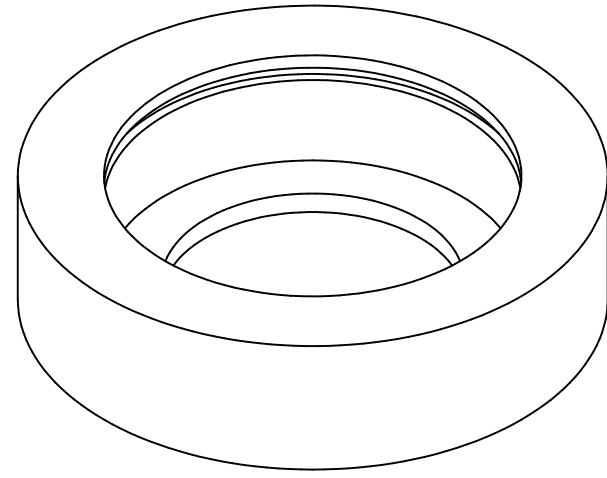
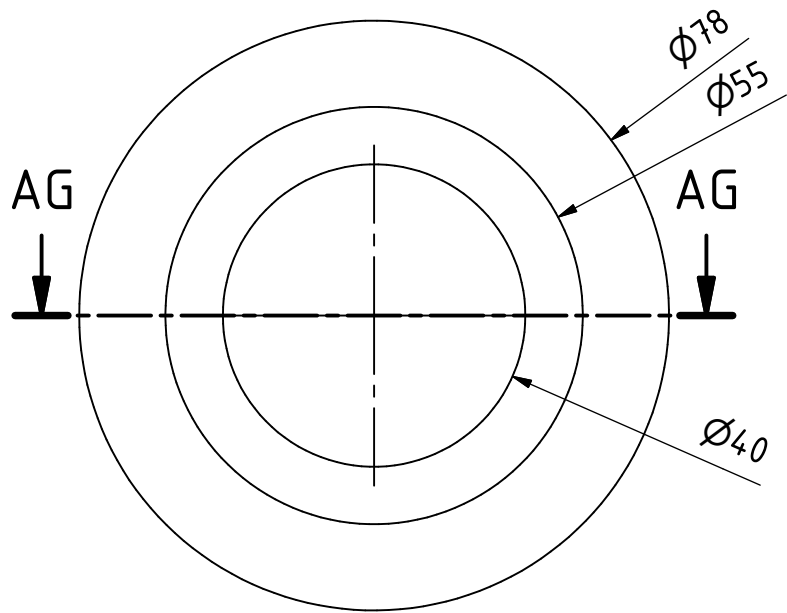


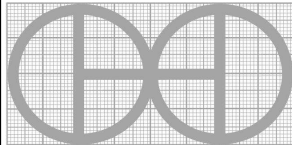
AF (5 : 1)

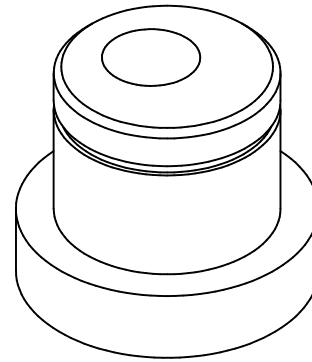
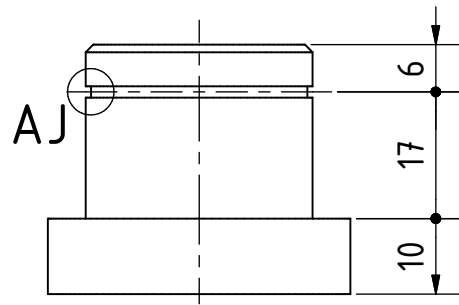


PROJECT	CREATED BY	APPROVED BY	DATE	VERSION
Vertical Drum Hemp Harvester	A. Morillo	D. Jaeger	28-05-2024	0.07
PART NAME	SPECIFICACIONES			CODE
Eccentric pin axial	Steel 235J2			7.2.0
DEVELOPED BY	REDESIGNED BY	FILENAME		QTY
		7.2.ipt		1
Hanfasser		LICENSE	DOC. TYPE	SCALE
		CC-BY-SA 4.0	Part	1 : 1
				SHEET
				202 /215

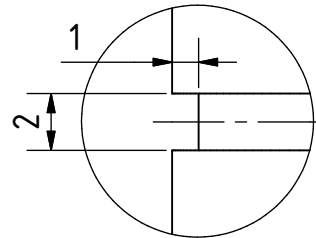
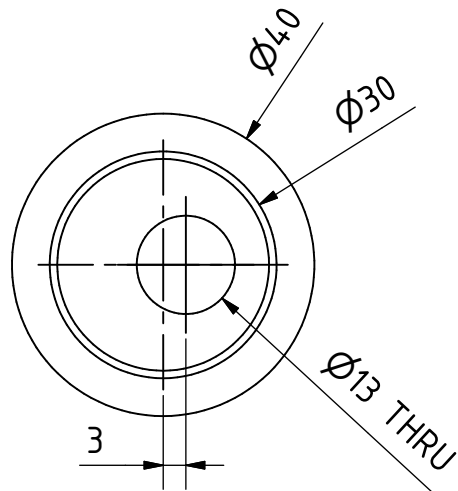
OHO e.V.

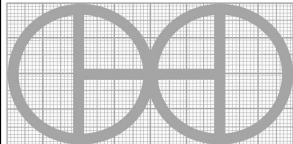


PROJECT		CREATED BY		APPROVED BY		DATE		VERSION	
Vertical Drum Hemp Harvester		A. Morillo		D. Jaeger		28-05-2024		0.07	
PART NAME			SPECIFICACIONES						CODE
Roller			Steel 235J2						7.3.0
DEVELOPED BY			REDESIGNED BY			FILENAME			QTY
Hanfasser						7.3.ipt			2
						LICENSE	DOC. TYPE	SCALE	SHEET
						CC-BY-SA 4.0	Part	1 : 1	203 /215

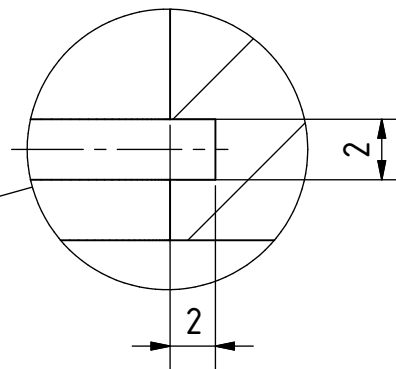
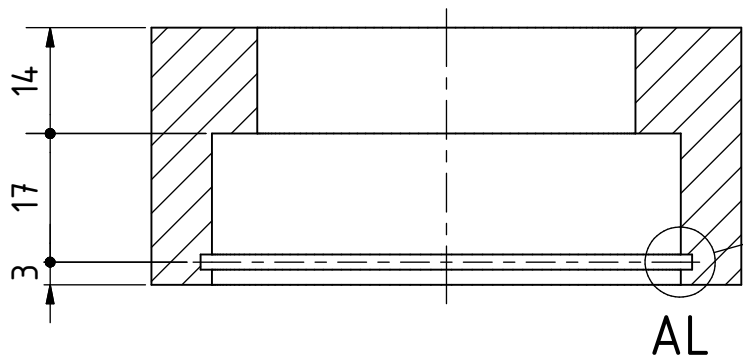
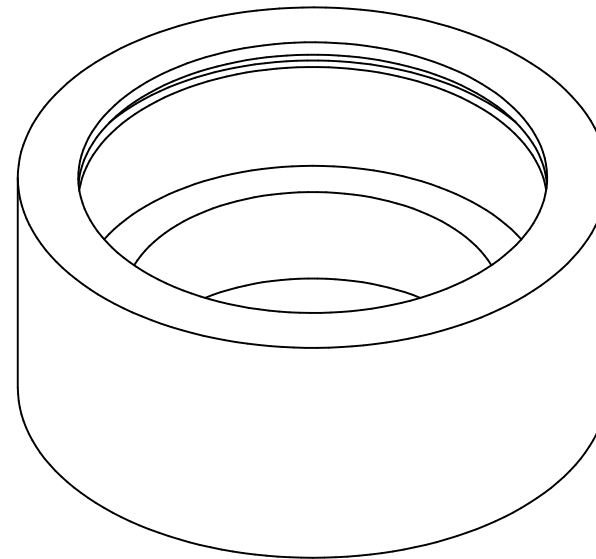
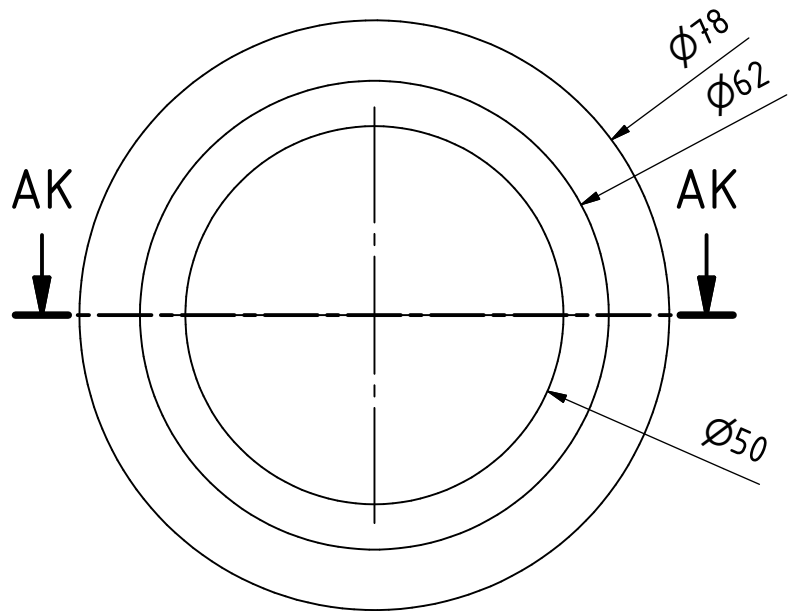


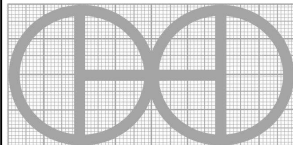
AJ (5 : 1)



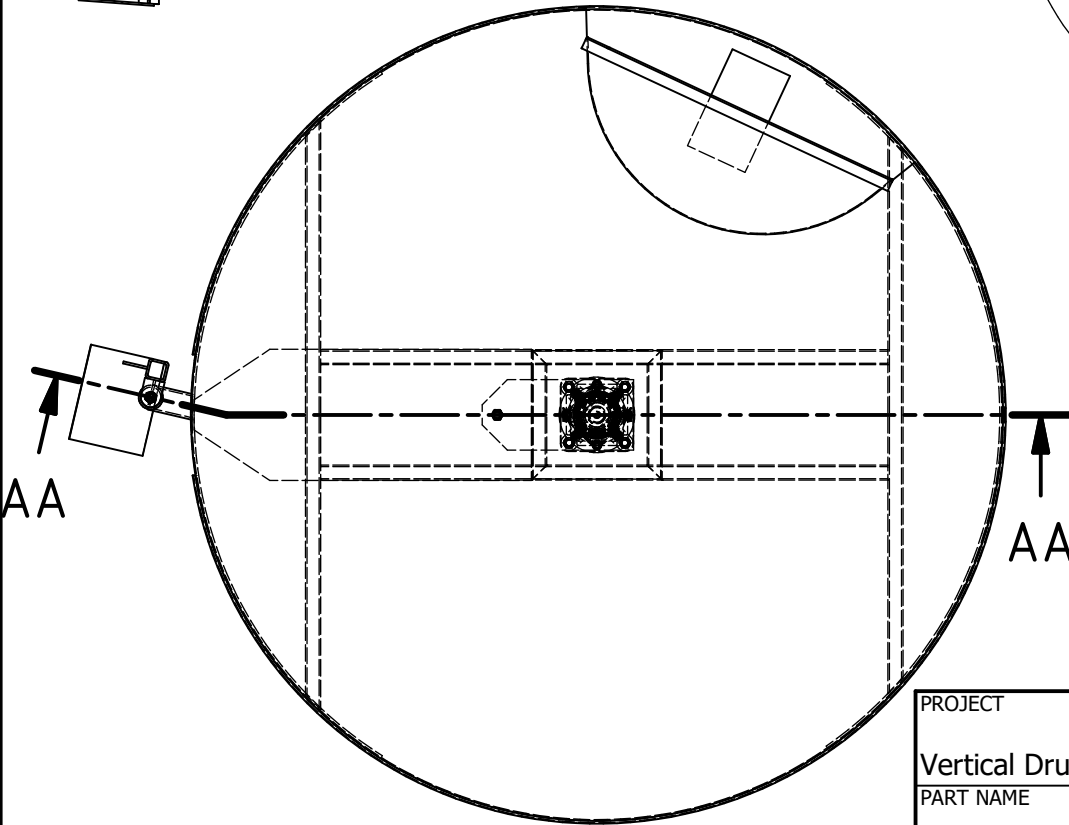
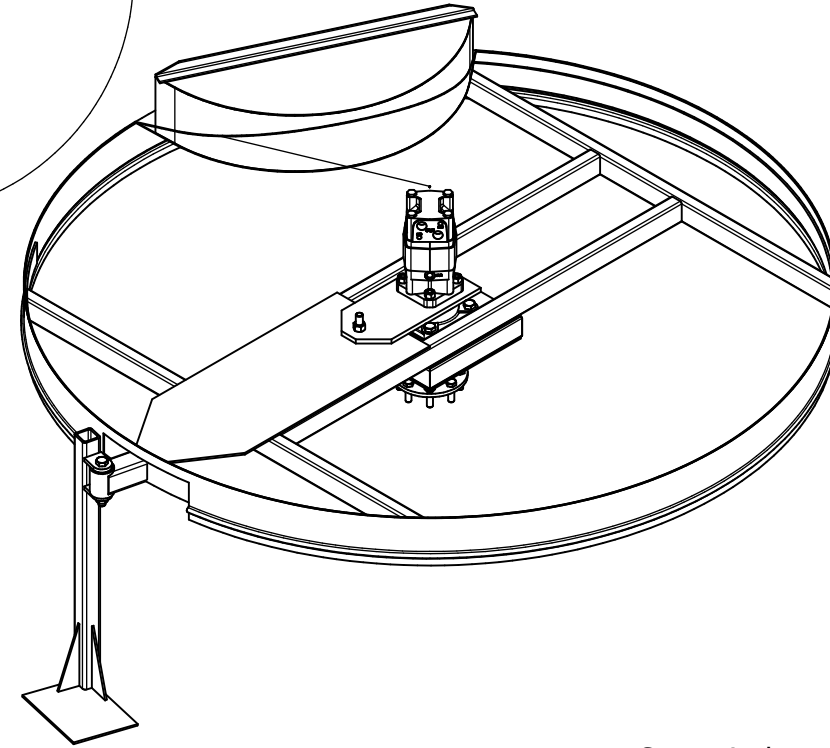
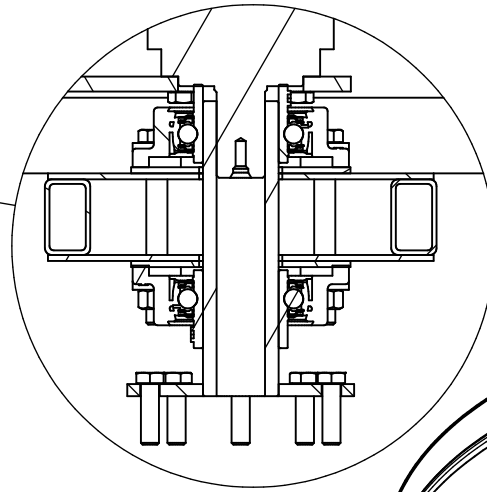
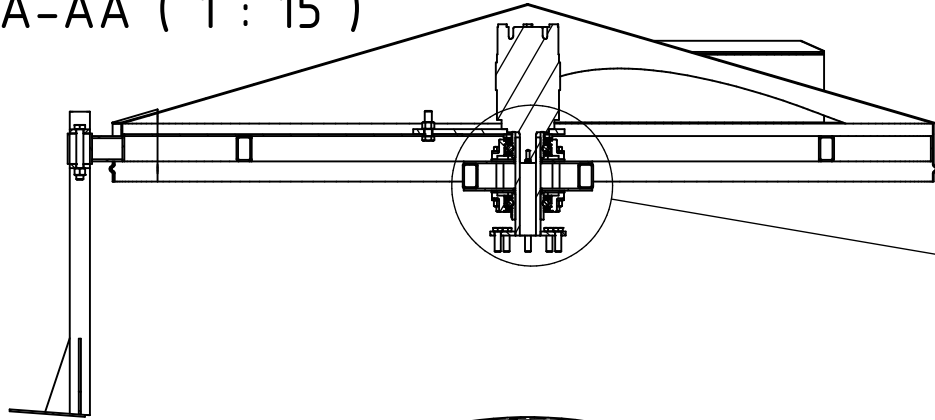
PROJECT	CREATED BY	APPROVED BY	DATE	VERSION
Vertical Drum Hemp Harvester	A. Morillo	D. Jaeger	28-05-2024	0.07
PART NAME	SPECIFICACIONES			CODE
Eccentric pin radial	Steel 235J2			7.4.0
DEVELOPED BY	REDESIGNED BY	FILENAME		QTY
		7.2.ipt		1
Hanfasser		LICENSE	DOC. TYPE	SCALE SHEET
		CC-BY-SA 4.0	Part	1 : 1 204 /215

OHO e.V.



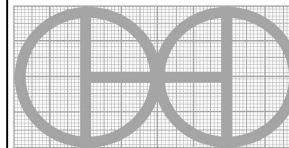
PROJECT	CREATED BY	APPROVED BY	DATE	VERSION	
Vertical Drum Hemp Harvester	A. Morillo	D. Jaeger	28-05-2024	0.07	
PART NAME	SPECIFICACIONES			CODE	
Roller2	Steel 235J2			7.5.0	
DEVELOPED BY	REDESIGNED BY	FILENAME		QTY	
Hanfasser		7.5.ipt		1	
		LICENSE	DOC. TYPE	SCALE	SHEET
		CC-BY-SA 4.0	Part	1 : 1	205 /215

AA-AA (1 : 15)

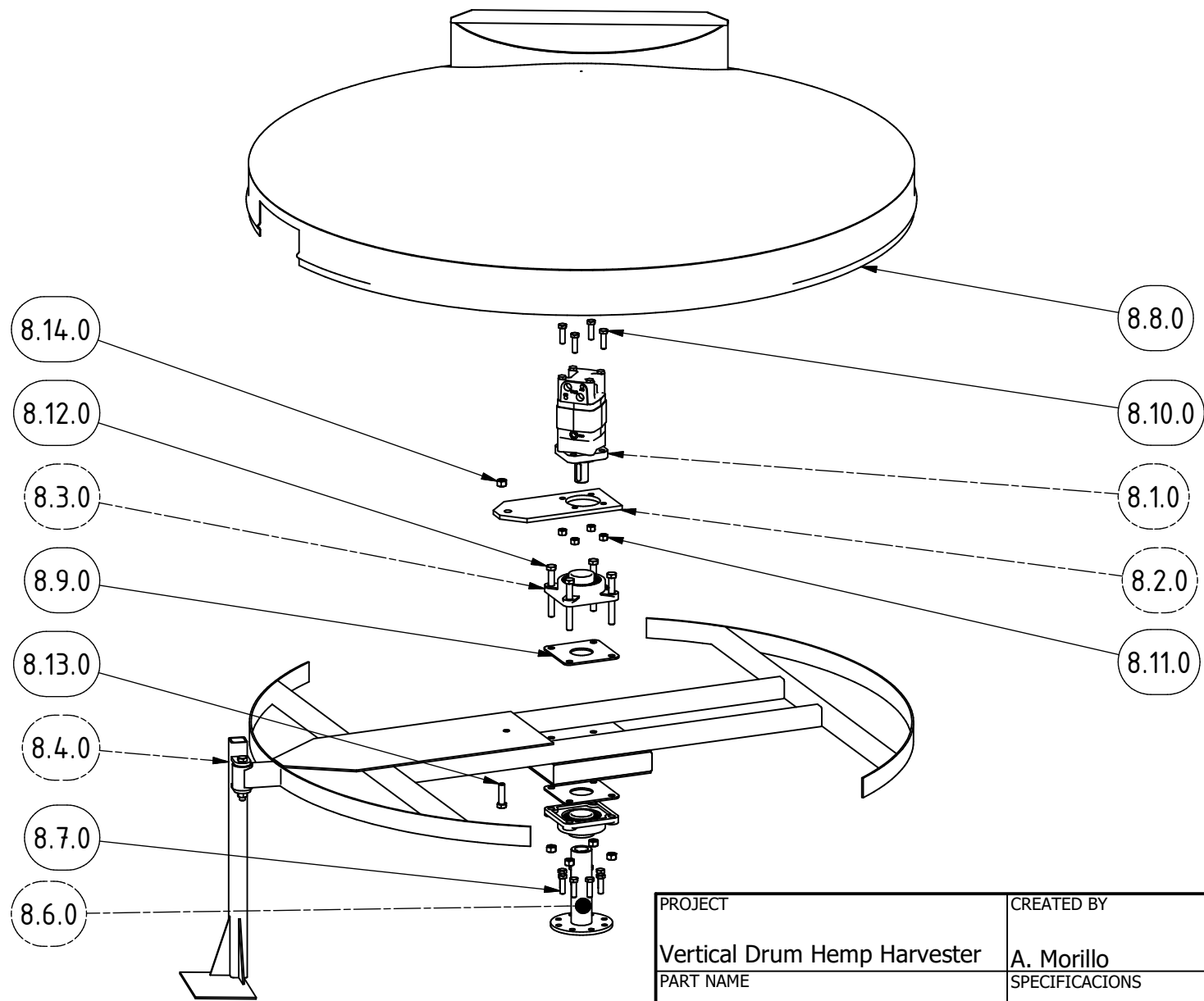


Symetrical sets

PROJECT	CREATED BY	APPROVED BY	DATE	VERSION
Vertical Drum Hemp Harvester	A. Morillo	D. Jaeger	28-05-2024	0.07
PART NAME	SPECIFICACIONES			CODE
Drive of the upper feed drums				8.0.0
DEVELOPED BY	REDESIGNED BY	FILENAME		QTY
		8.iam		2
		LICENSE	DOC. TYPE	SCALE
		CC-BY-SA 4.0	Assembly	1 : 15
Handfasser				206 /215

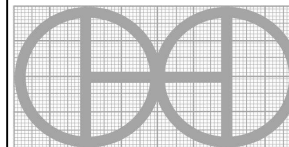


OHO e.V.



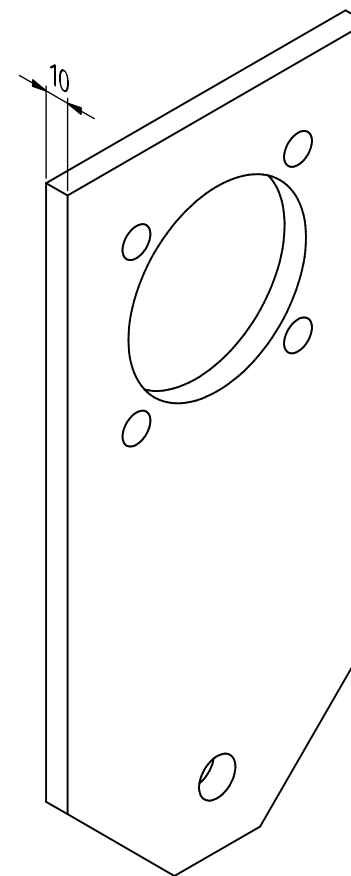
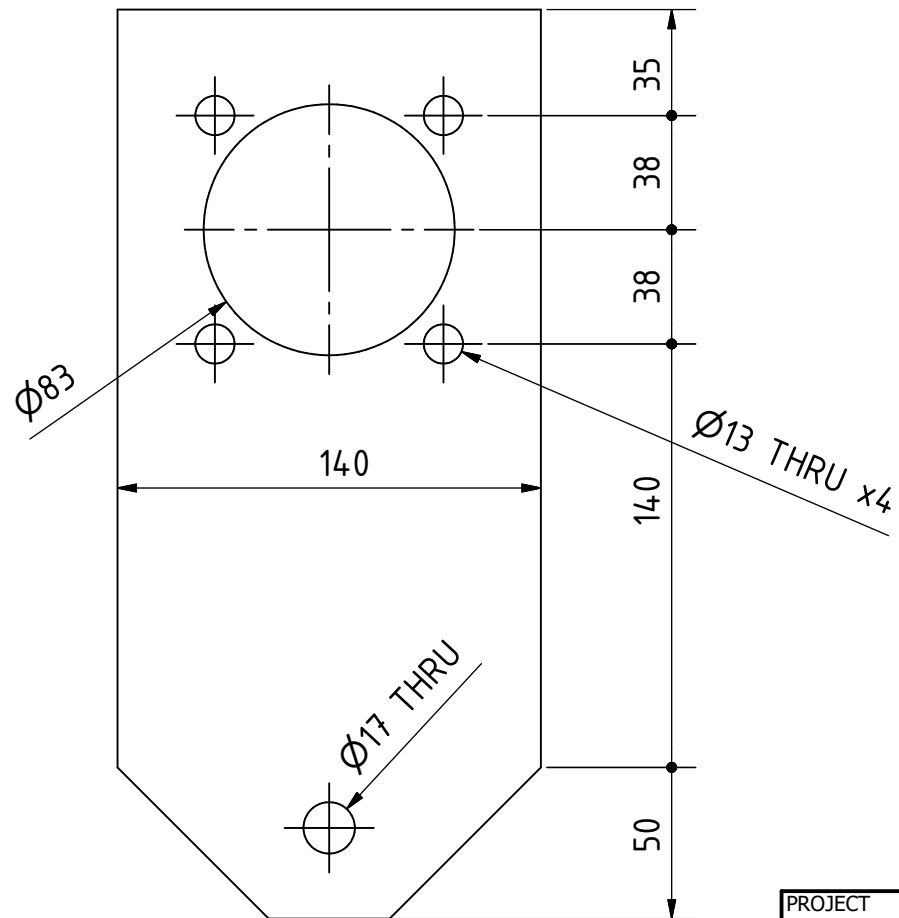
Symetrical sets

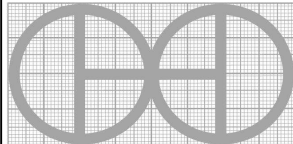
PROJECT	CREATED BY	APPROVED BY	DATE	VERSION
Vertical Drum Hemp Harvester	A. Morillo	D. Jaeger	28-05-2024	0.07
PART NAME	SPECIFICACIONES			CODE
Drive of the upper feed drums				8.0.0
DEVELOPED BY	REDESIGNED BY	FILENAME	QTY	
		8_CPY.ipn	2	
		LICENSE	DOC. TYPE	SCALE
		CC-BY-SA 4.0	Assembly	1 : 15
				SHEET
				207 /215

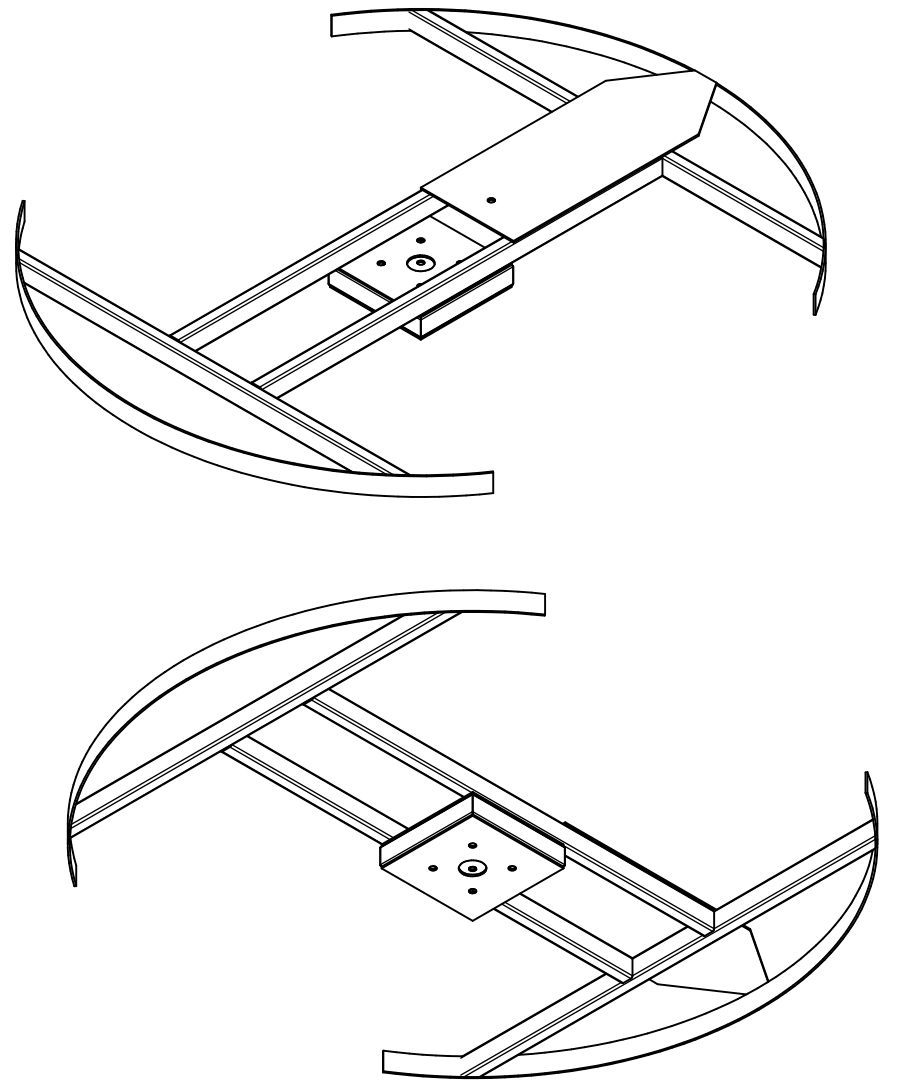
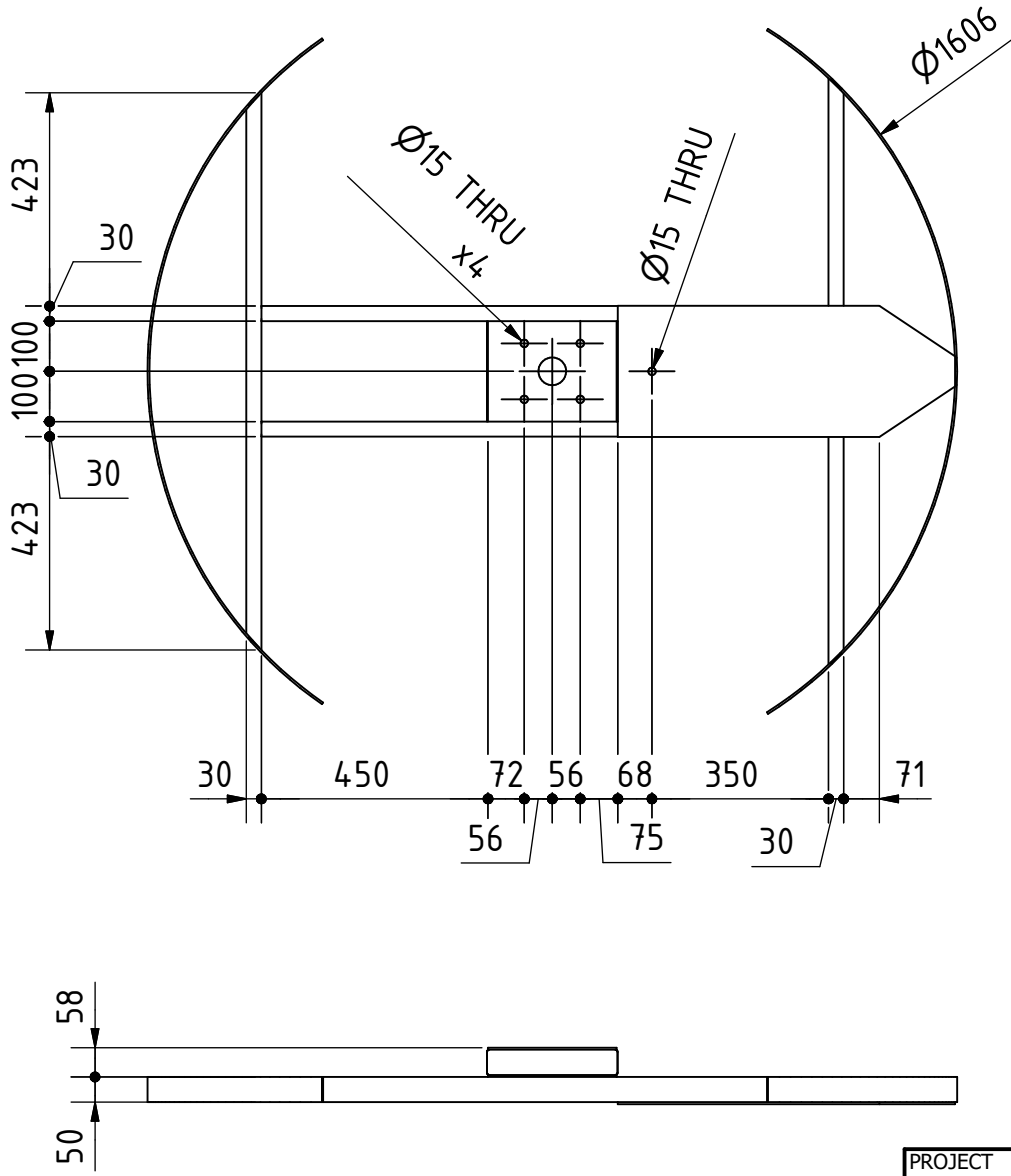


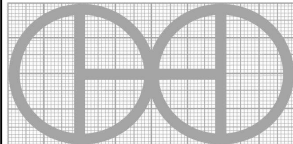
OHO e.V.

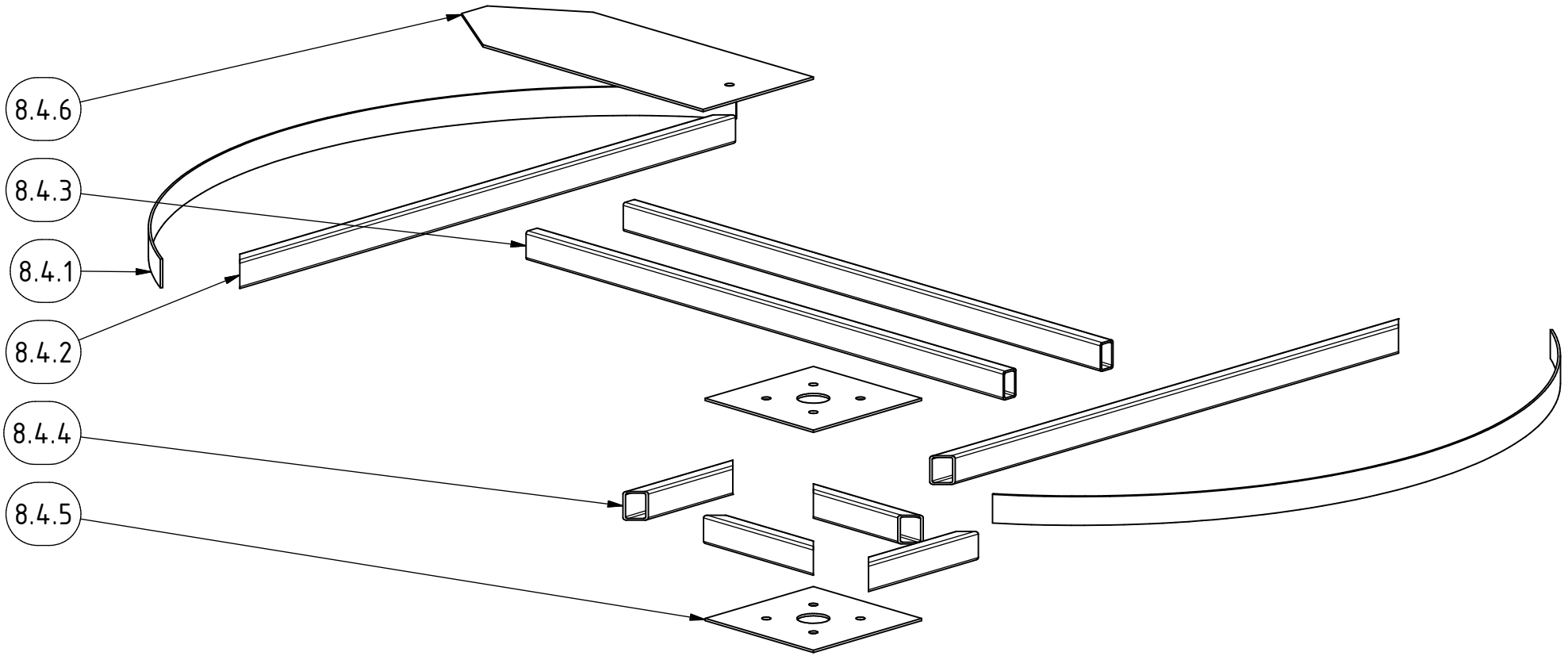
Hanfasser



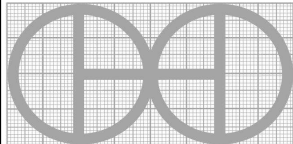
PROJECT	CREATED BY	APPROVED BY	DATE	VERSION
Vertical Drum Hemp Harvester	A. Morillo	D. Jaeger	28-05-2024	0.07
PART NAME	SPECIFICACIONES			CODE
Torque support	Steel 235J2			8.2.0
DEVELOPED BY	REDESIGNED BY	FILENAME		QTY
		8.2.ipt		1
		LICENSE	DOC. TYPE	SCALE
Hanfasser		CC-BY-SA 4.0	Part	2 : 5
				208 /215



PROJECT	CREATED BY	APPROVED BY	DATE	VERSION	
Vertical Drum Hemp Harvester	A. Morillo	D. Jaeger	28-05-2024	0.07	
PART NAME	SPECIFICACIONES			CODE	
Support frame				8.4.0	
DEVELOPED BY	REDESIGNED BY	FILENAME	QTY		
		Frame 1712437576693.iam	1		
Hanfasser		LICENSE	DOC. TYPE	SCALE	SHEET
		CC-BY-SA 4.0	Assembly	1 : 15	209 /215

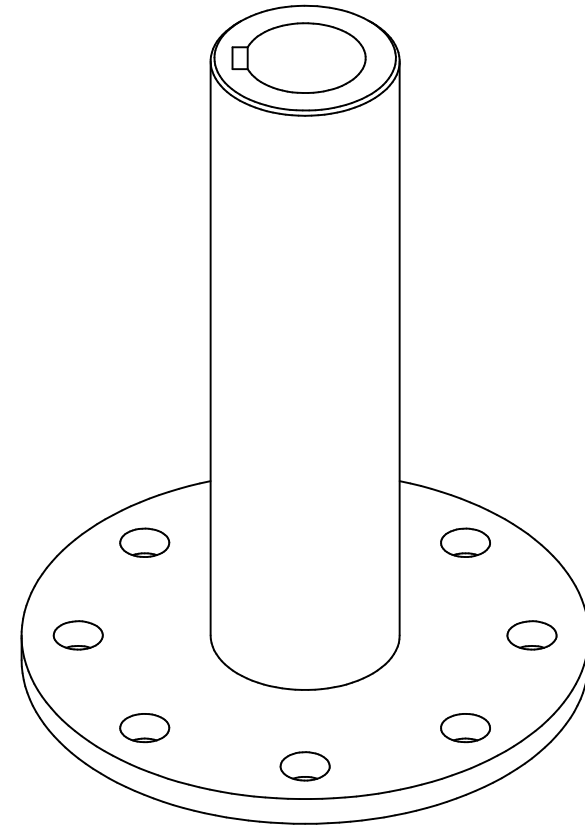
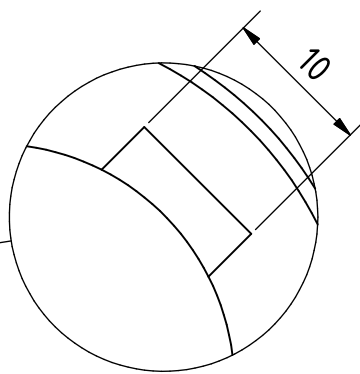
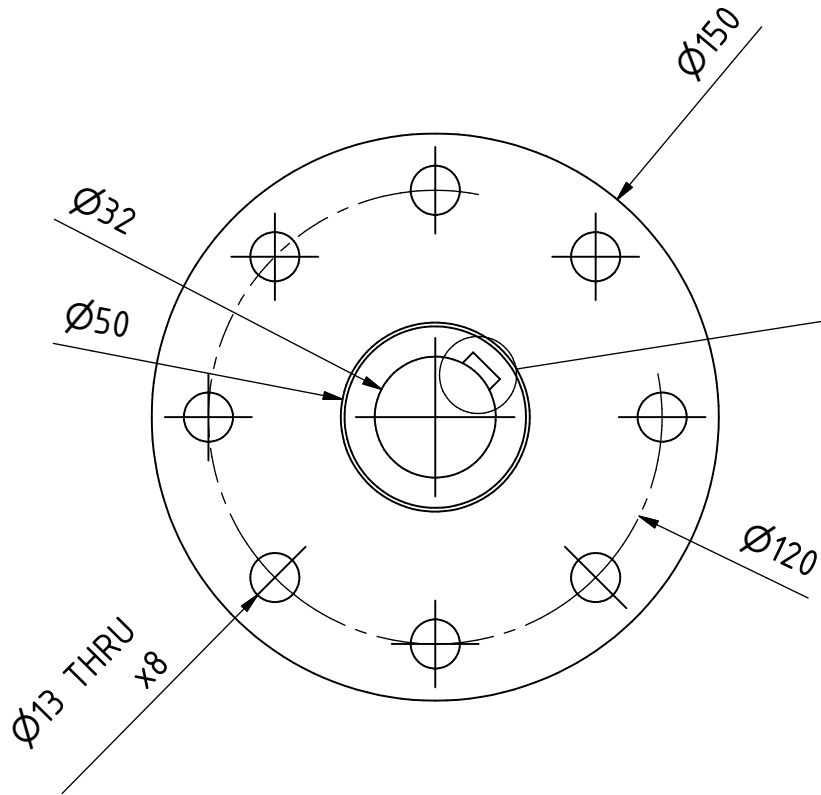
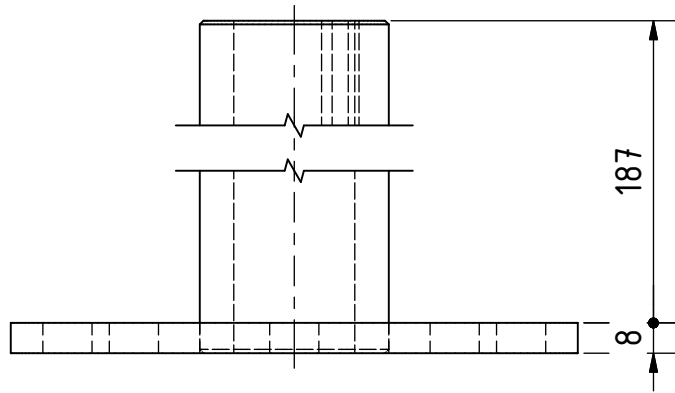


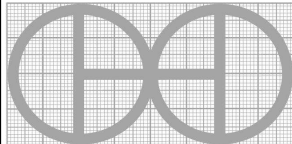
The details of these pieces will be added after confirmation

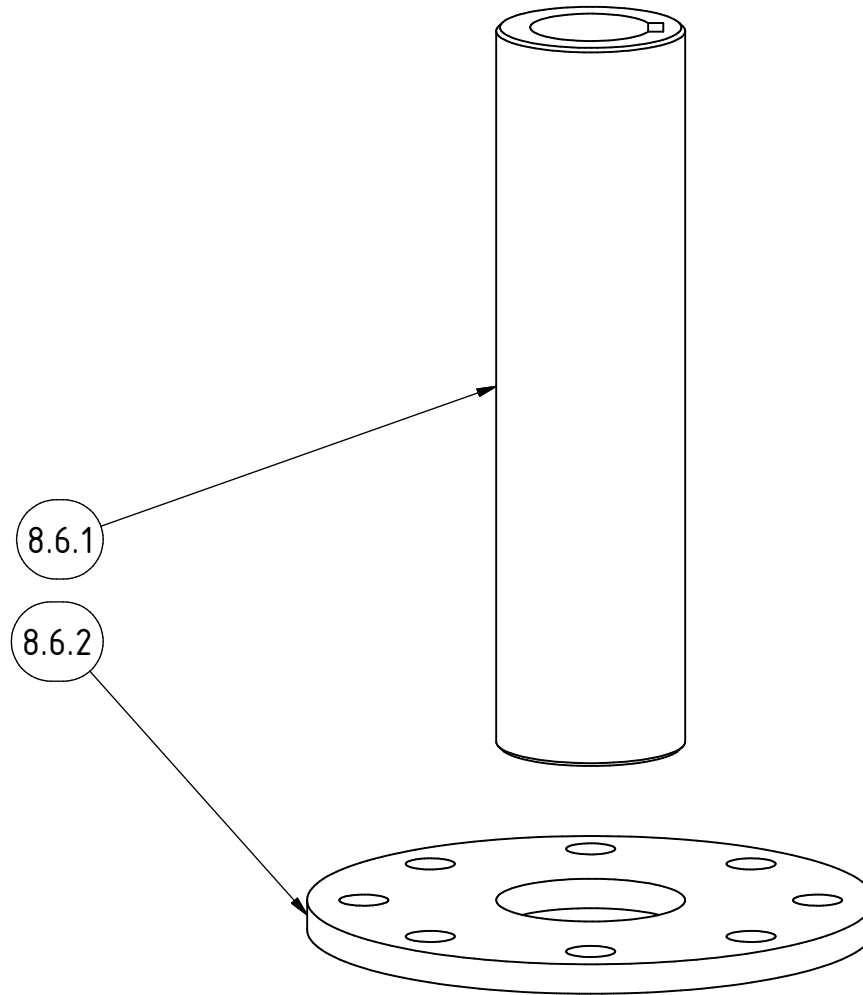
PROJECT	CREATED BY	APPROVED BY	DATE	VERSION
Vertical Drum Hemp Harvester	A. Morillo	D. Jaeger	28-05-2024	0.07
PART NAME	SPECIFICACIONES			CODE
Support frame				8.4.0
DEVELOPED BY	REDESIGNED BY	FILENAME		QTY
		8.4.ipn		1
		LICENSE	DOC. TYPE	SHEET
Hanfasser		CC-BY-SA 4.0	Assembly	210 /215

OHO e.V.

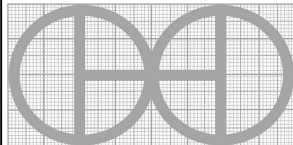
SCALE 1 : 10



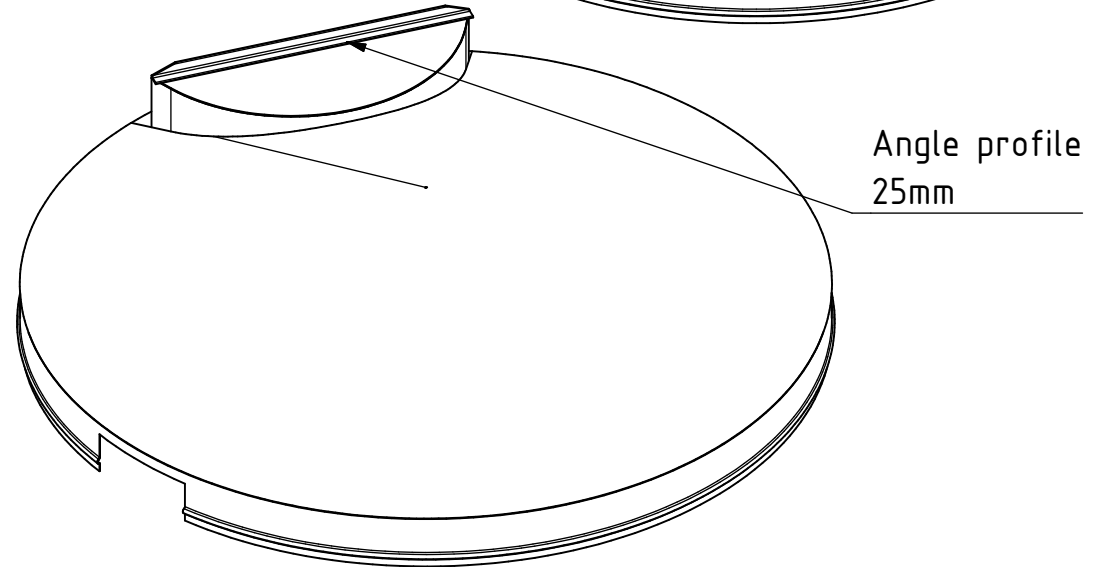
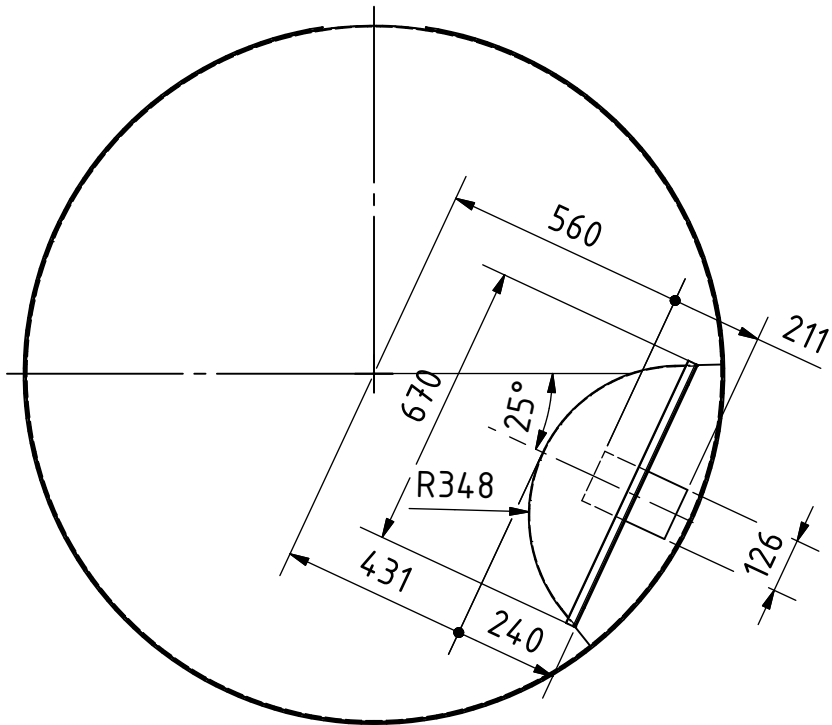
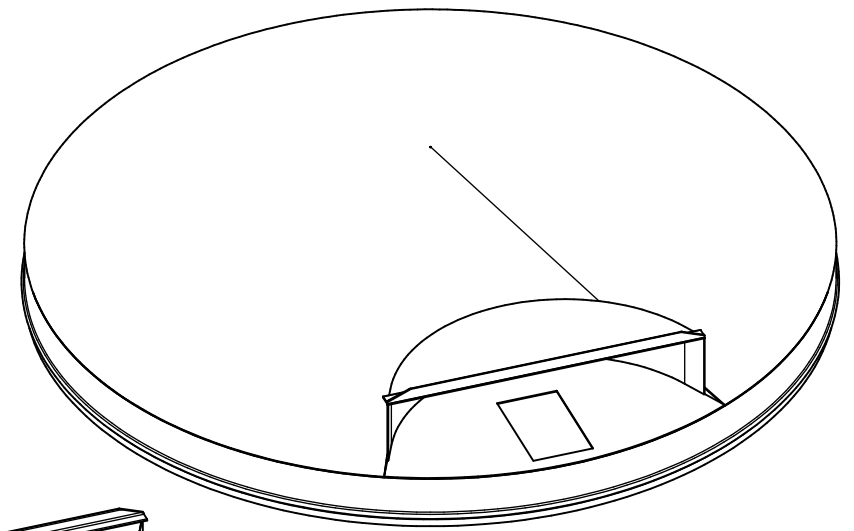
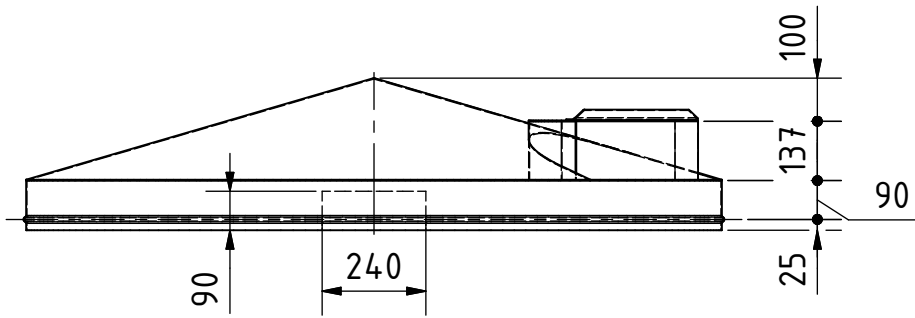
PROJECT	CREATED BY	APPROVED BY	DATE	VERSION
Vertical Drum Hemp Harvester	A. Morillo	D. Jaeger	28-05-2024	0.07
PART NAME	SPECIFICACIONES			CODE
Axle with flange				8.6.0
DEVELOPED BY	REDESIGNED BY	FILENAME		QTY
		8.6.iam		1
Hanfasser		LICENSE	DOC. TYPE	SCALE
		CC-BY-SA 4.0	Assembly	1 : 2
				SHEET
				211 /215



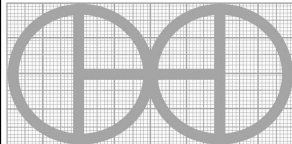
The details of these pieces will be added after confirmation

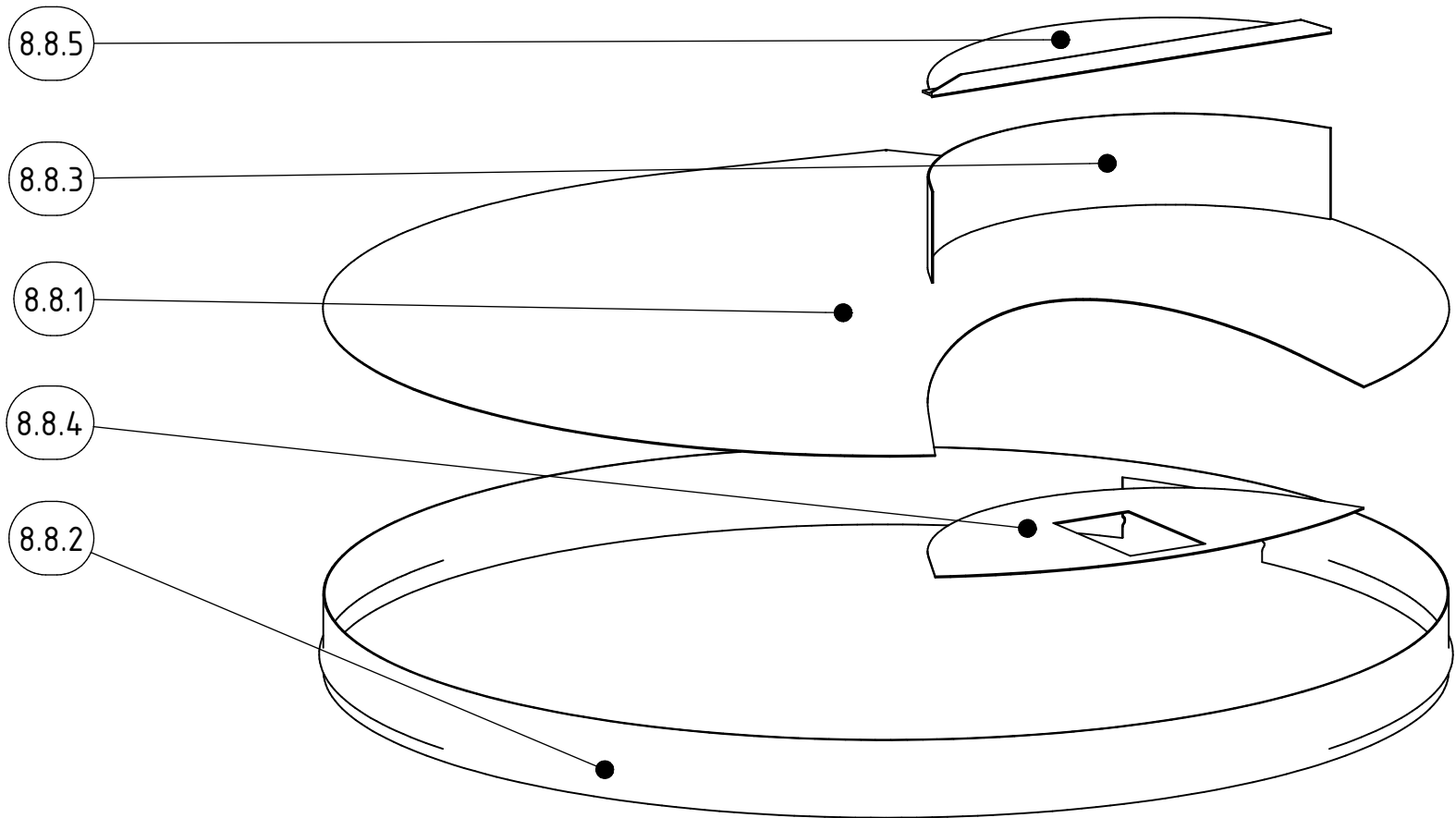
PROJECT	CREATED BY	APPROVED BY	DATE	VERSION
Vertical Drum Hemp Harvester	A. Morillo	D. Jaeger	28-05-2024	0.07
PART NAME	SPECIFICACIONES			CODE
Axle with flange				8.6.0
DEVELOPED BY	REDESIGNED BY	FILENAME		QTY
		8.6.ipn		1
Hanfasser		LICENSE	DOC. TYPE	SCALE
		CC-BY-SA 4.0	Assembly	1 : 2
				SHEET
				212 /215

OHO e.V.

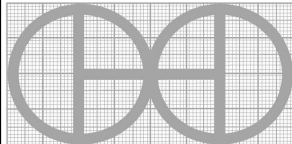


The upper saw cover only applies to the right drum

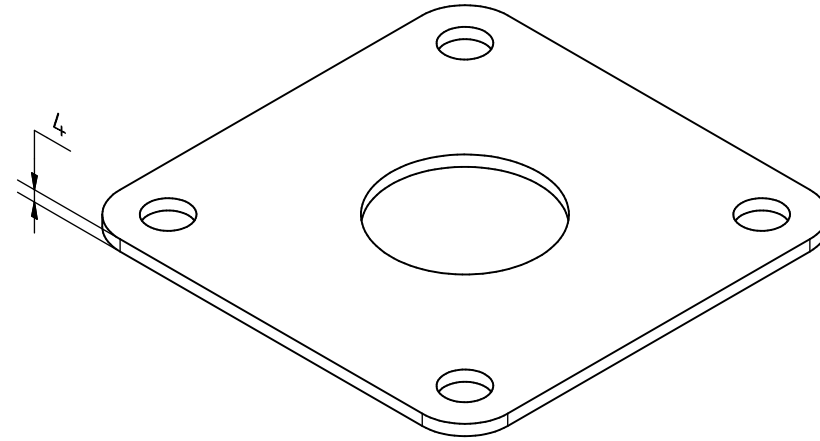
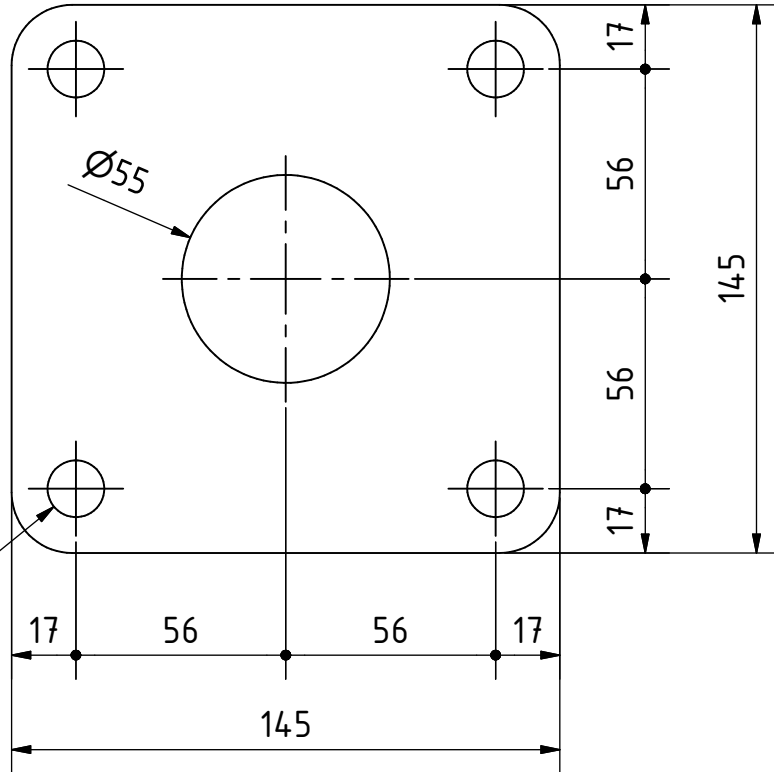
PROJECT	CREATED BY	APPROVED BY	DATE	VERSION
Vertical Drum Hemp Harvester	A. Morillo	D. Jaeger	28-05-2024	0.07
PART NAME	SPECIFICACIONES			CODE
Drum roof				8.8.0
DEVELOPED BY	REDESIGNED BY	FILENAME	QTY	
		8.8.iam	1	
		LICENSE	DOC. TYPE	SHEET
Hanfasser		CC-BY-SA 4.0	Assembly	213 /215
		OHO e.v.	SCALE	
			2 : 35	



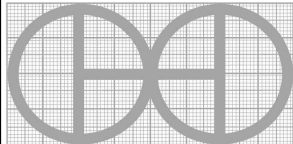
The details of these pieces will be added after confirmation

PROJECT	CREATED BY	APPROVED BY	DATE	VERSION
Vertical Drum Hemp Harvester	A. Morillo	D. Jaeger	28-05-2024	0.07
PART NAME	SPECIFICACIONES			CODE
Drum roof				8.8.0
DEVELOPED BY	REDESIGNED BY	FILENAME	QTY	
		8.8.ipn	1	
Hanfasser		LICENSE	DOC. TYPE	SCALE
		CC-BY-SA 4.0	Assembly	1 : 10
				SHEET
				214 /215

OHO e.V.



Holes for Bearing UCF210

PROJECT	CREATED BY	APPROVED BY	DATE	VERSION	
Vertical Drum Hemp Harvester	A. Morillo	D. Jaeger	28-05-2024	0.07	
PART NAME	SPECIFICACIONES			CODE	
Reinforcement plate	Steel 235J2			8.9.0	
DEVELOPED BY	REDESIGNED BY	FILENAME	QTY		
Hanfasser		1.8.ipt	2		
		LICENSE	DOC. TYPE	SCALE	SHEET
		CC-BY-SA 4.0	Part	1 : 2	215 /215