
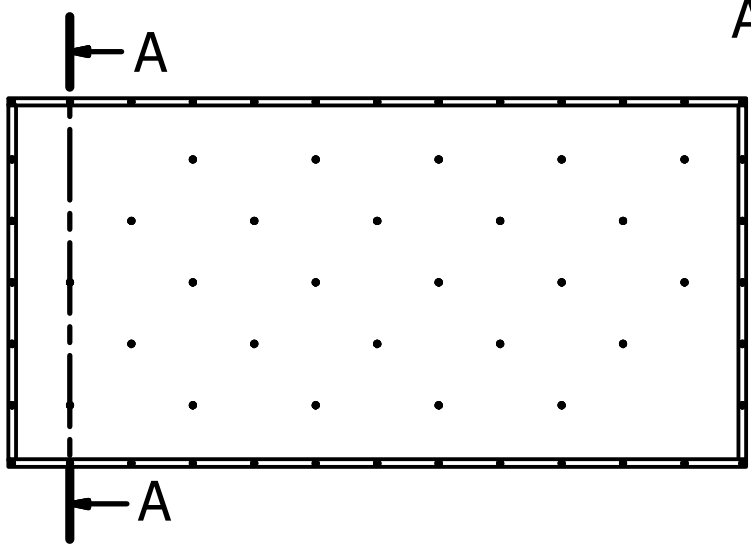
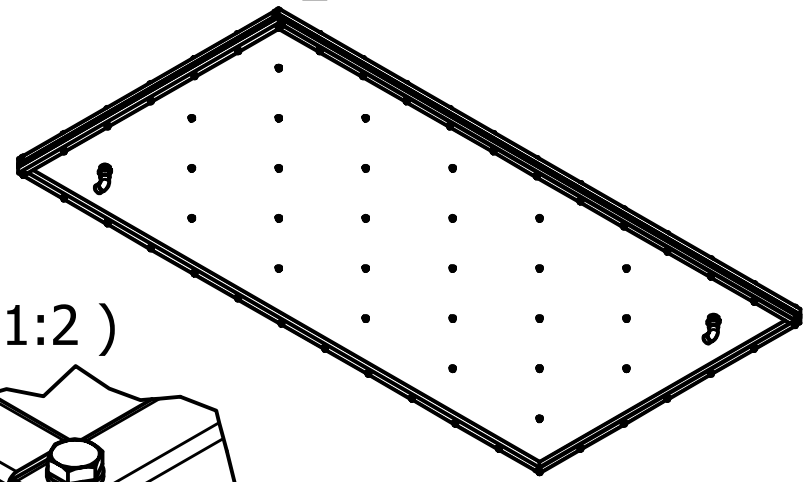
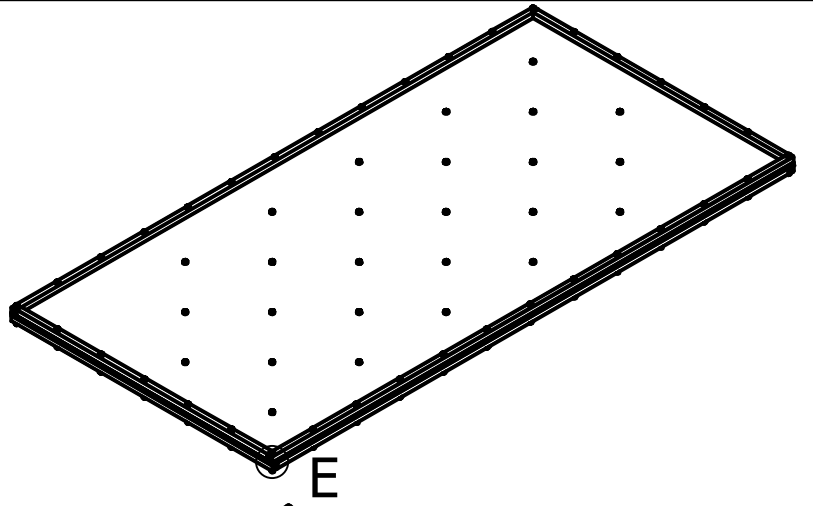
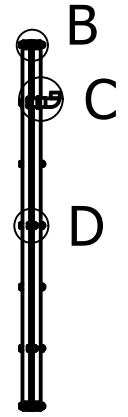


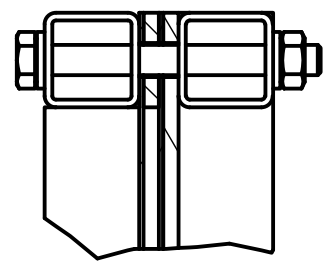
PROJECT		CREATED BY	APROVED BY			
Solar Heater		A. MORILLO	D. JAEGER			
PART NAME		PART CODE	DOCUMENT TYPE	MATERIAL		
panel-assembly5		1.0.0	ASSEMBLY			
DEVELOPED BY	REDESIGNED BY	LICENCE	FILE NAME	VERSION	QUANTITY	
OpenSource LowTech.org	 OPEN SOURCE ECOLOGY GERMANY	CERN-OHL	panel-assembly5.iam	1.0	1	
				SCALE	SHEET	DATE
				1:20	4 / 15	8/12/2020



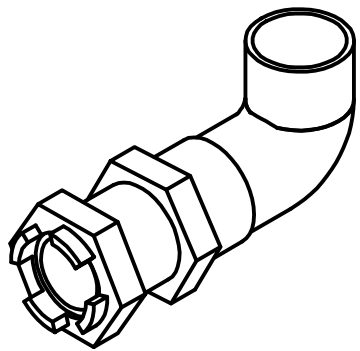
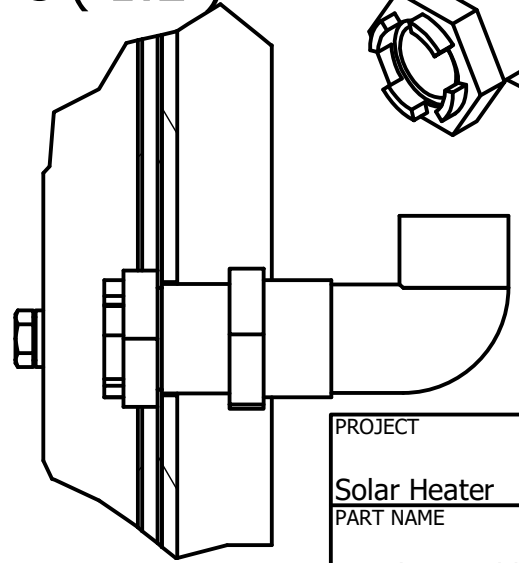
A-A (1:25)



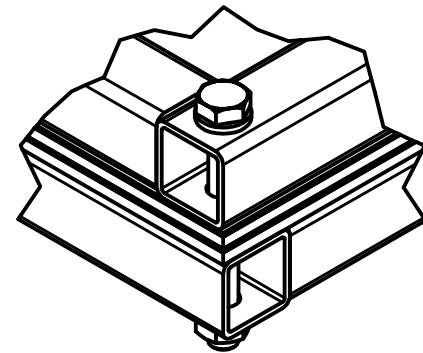
B (1:2)



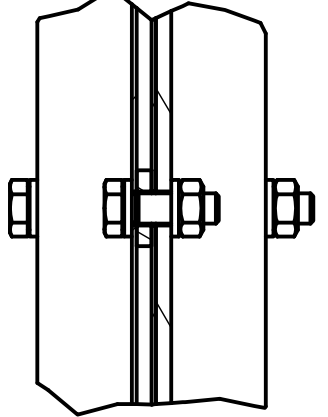
C (1:2)




E (1:2)



D (1:2)



PROJECT		CREATED BY	APPROVED BY	
Solar Heater		A. MORILLO	D. JAEGER	
PART NAME		PART CODE	DOCUMENT TYPE	MATERIAL
panel-assembly5		1.0.0	ASSEMBLY	
DEVELOPED BY	REDESIGNED BY	LICENCE	FILE NAME	VERSION
OpenSource LowTech.org	 OPEN SOURCE ECOLOGY GERMANY	CERN-OHL	panel-assembly5.iam	1.0
			SCALE	SHEET
			1:25	5 / 15
				QUANTITY
				1
				DATE
				8/12/2020