
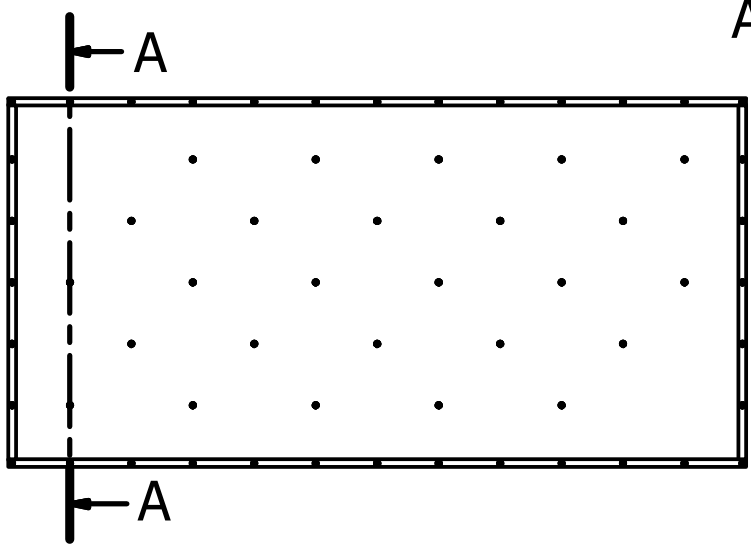
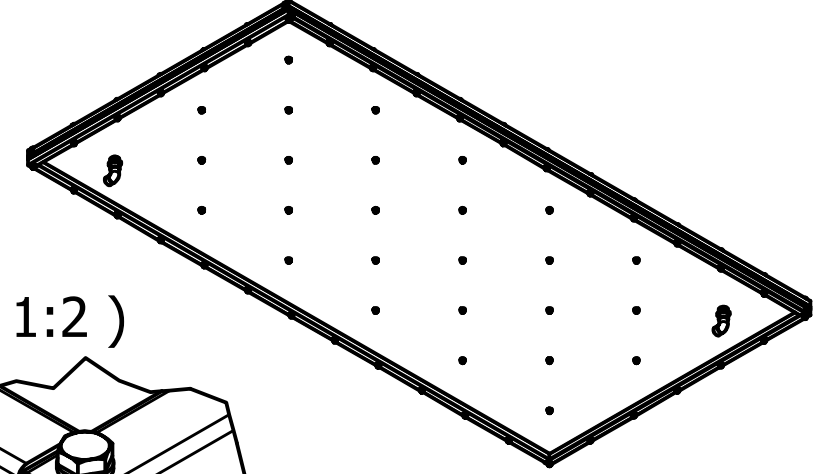
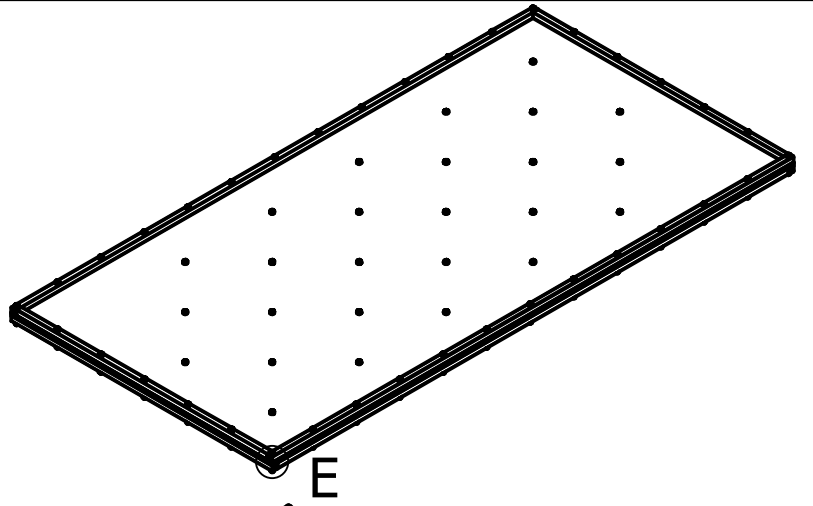


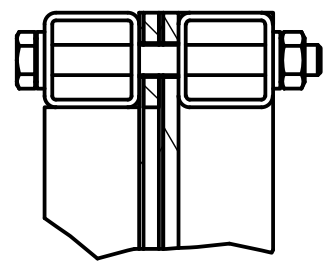
PROJECT		CREATED BY	APROVED BY		
Solar Heater		A. MORILLO	D. JAEGER		
PART NAME		PART CODE	DOCUMENT TYPE	MATERIAL	
panel-assembly5		1.0.0	ASSEMBLY		
DEVELOPED BY	REDESIGNED BY	LICENCE	FILE NAME	VERSION	QUANTITY
OpenSource LowTech.org	 OPEN SOURCE ECOLOGY GERMANY	CERN-OHL	panel-assembly5.iam	1.0	1
			SCALE	SHEET	DATE
			1:20	4 / 15	8/12/2020



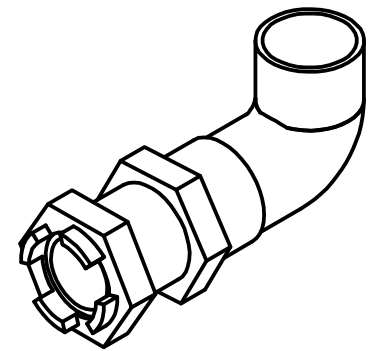
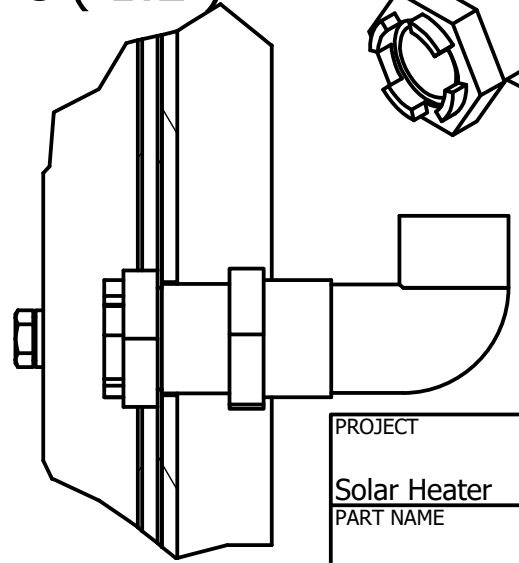
A-A ( 1:25 )



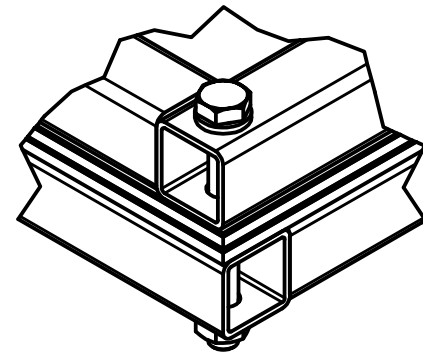
B ( 1:2 )



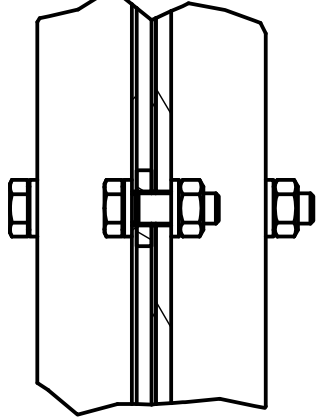
C ( 1:2 )




E ( 1:2 )



D ( 1:2 )



PROJECT		CREATED BY	APPROVED BY		
Solar Heater		A. MORILLO	D. JAEGER		
PART NAME		PART CODE	DOCUMENT TYPE	MATERIAL	
panel-assembly5		1.0.0	ASSEMBLY		
DEVELOPED BY	REDESIGNED BY	LICENCE	FILE NAME	VERSION	QUANTITY
OpenSource LowTech.org	 OPEN SOURCE ECOLOGY GERMANY	CERN-OHL	panel-assembly5.iam	1.0	1
			SCALE	SHEET	DATE
			1:25	5 / 15	8/12/2020