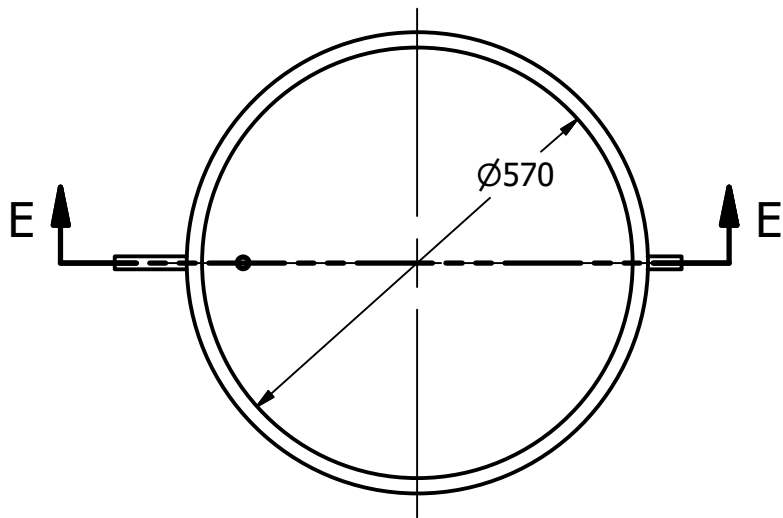


2

1

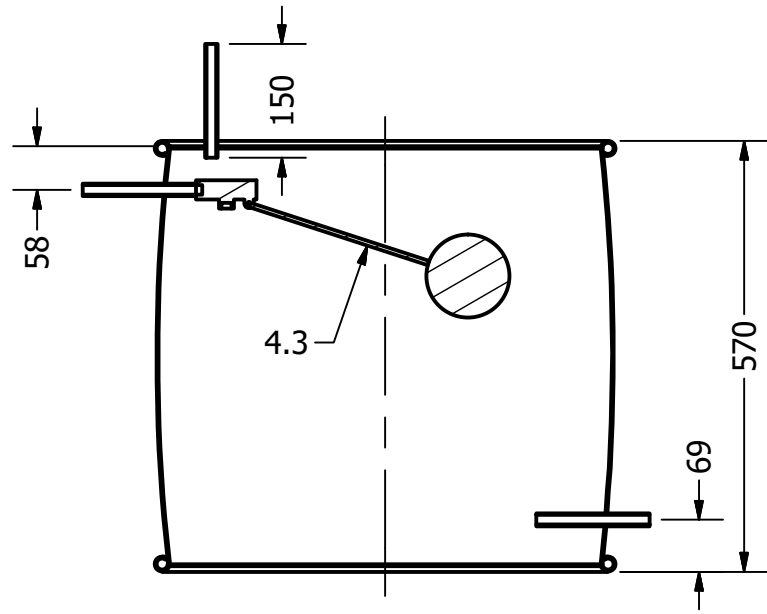
D

D

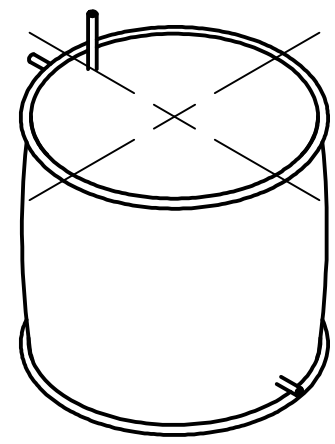


C

C



SECTION E-E




B

B

A

A

Proyect Zigzag Solar Water Heater		Created by D. Mosquera		Approved by D. Jeager	
Part Name the buffer tank		Part Code 4		Document Type assembly	
Redesigned by  OPEN SOURCE ECOLOGY GERMANY	Original drawing from WOT University of Twente		License CC-BY-SA		File Name oseg_zswwh_the-buffer-tank.iam
					Version 1.0
				Scale 1 / 10	Sheet 28
				Date 10.02.21	

2

4

1