
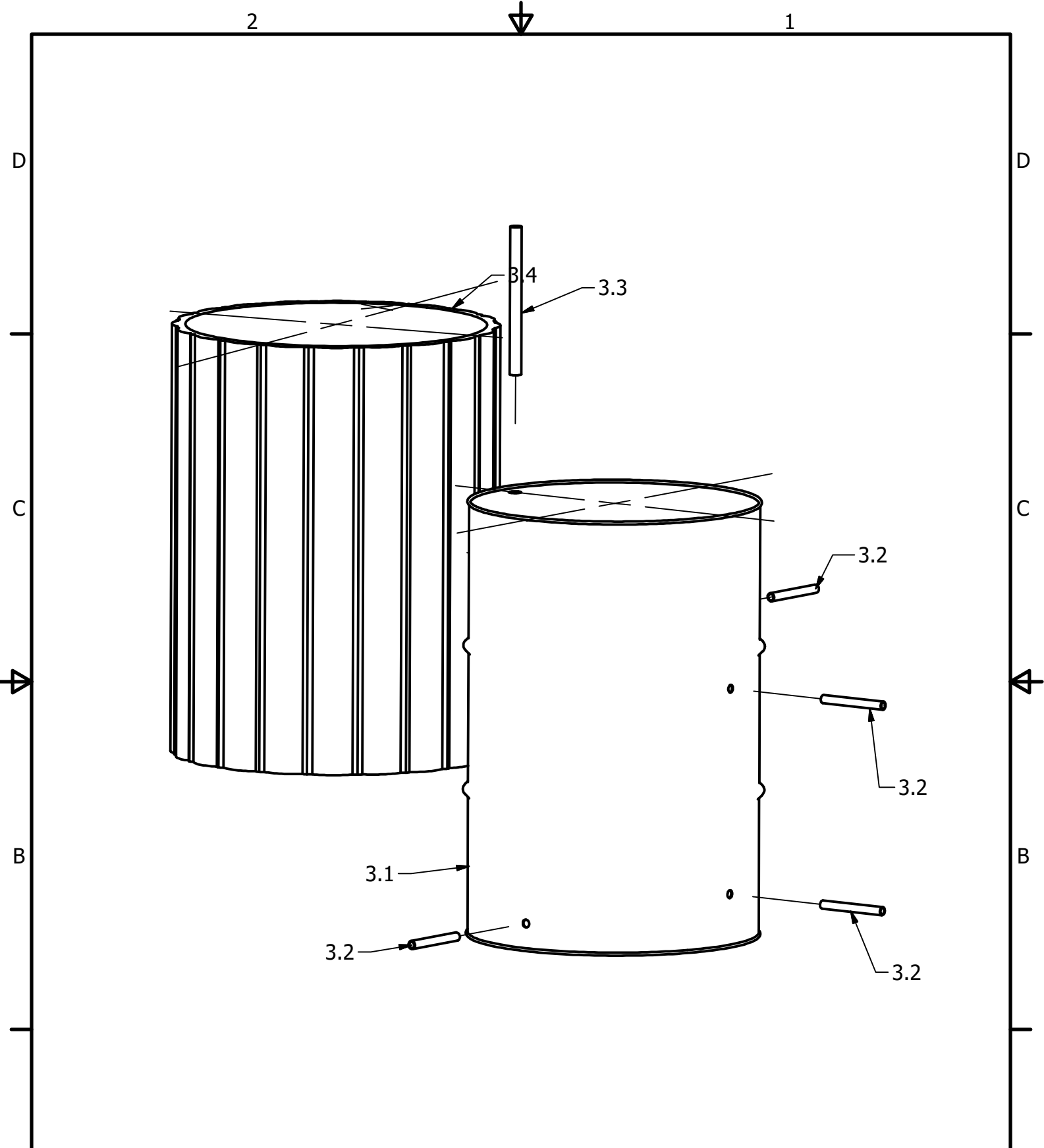



Project Zigzag Solar Water Heater		Created by D. Mosquera		Approved by D. Jeager	
Part Name insulated storage tank		Part Code 3		Document Type assembly	
Redesigned by  OPEN SOURCE ECOLOGY GERMANY		Original drawing from WOT University of Twente		License CC-BY-SA	
		File Name oseg_zswwh_insulated-storage-tank.iam		Version 1.0	
		Scale 1 / 10		Quantity 3	
				Sheet 22	
				Date 10.02.21	



Proyect Zigzag Solar Water Heater		Created by D. Mosquera		Approved by D. Jeager	
Part Name storage tank		Part Code 3		Document Type assembly	
Redesigned by  OPEN SOURCE ECOLOGY GERMANY		Original drawing from WOT University of Twente		License CC-BY-SA	
		File Name oseg_zswh_insulated-storage-tank.iam		Version 1.0	
		Scale 1 / 10		Quantity 3	
				Sheet 23	
				Date 10.02.21	