

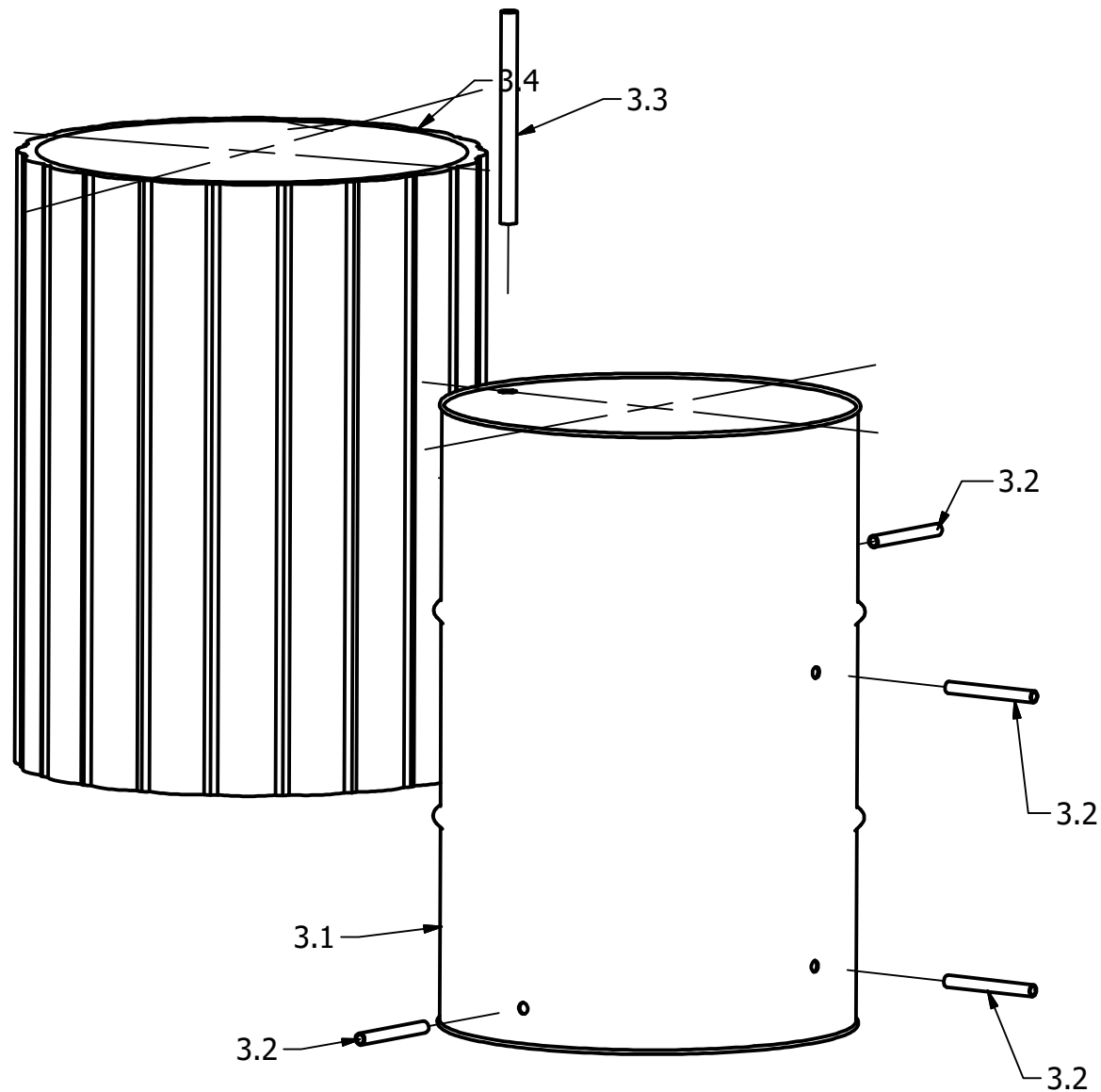




PROJECT		CREATED BY		APROVED BY	
ZIGZAG SOLAR WATER HEATER		D. MOSQUERA		D. JAEGER	
PART NAME		PART CODE		DOCUMENT TYPE	
insulated-storage-tank		3.0		ASSEMBLY	
DEVELOPED BY		REDESIGNED BY		LICENCE	
 WOT-UNIVERSITY OF TWENTE		 OPEN SOURCE ECOLOGY GERMANY		CC-BY-SA	
		FILE NAME		VERSION	
		oseg_zswh_insulated-storage-tank.iam		1.1	
		SCALE		SHEET	
		1:10		26 /54	
				QUANTITY	
				1	
				DATE	
				4/3/2021	



PROJECT		CREATED BY		APROVED BY	
ZIGZAG SOLAR WATER HEATER		D. MOSQUERA		D. JAEGER	
PART NAME		PART CODE		DOCUMENT TYPE	
insulated-storage-tank		3.0		ASSEMBLY	
DEVELOPED BY		REDESIGNED BY		LICENCE	
 WOT-UNIVERSITY OF TWENTE		 OPEN SOURCE ECOLOGY GERMANY		CC-BY-SA	
		FILE NAME		VERSION	
		oseg_zswh_insulated-storage-tank.iam		1.1	
		SCALE		SHEET	
		1:10		27 /54	
				QUANTITY	
				1	
				DATE	
				4/3/2021	