
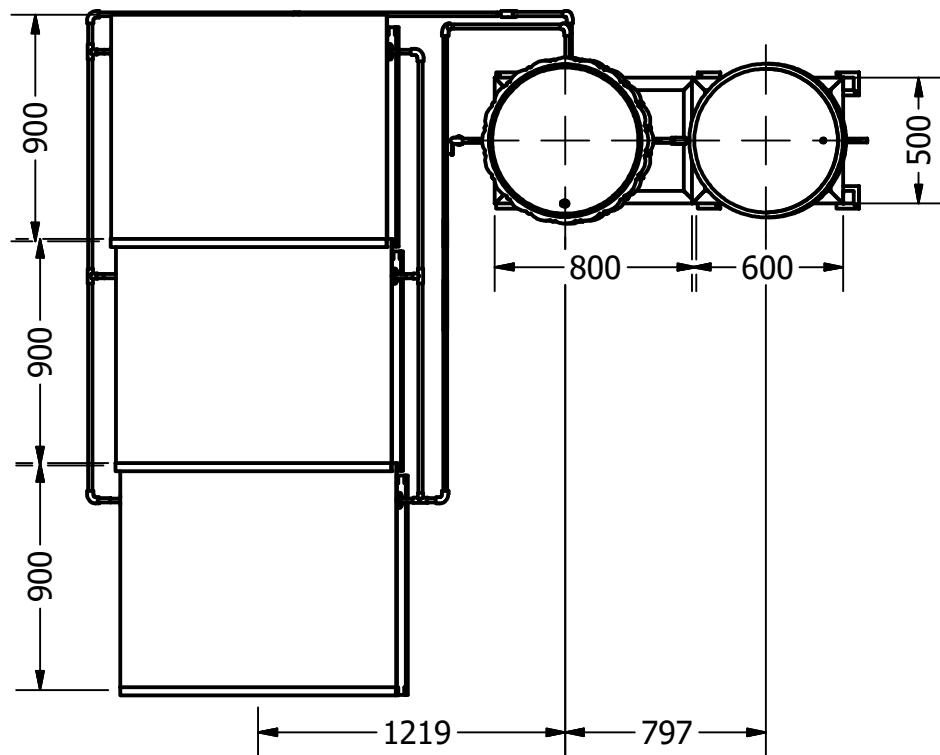
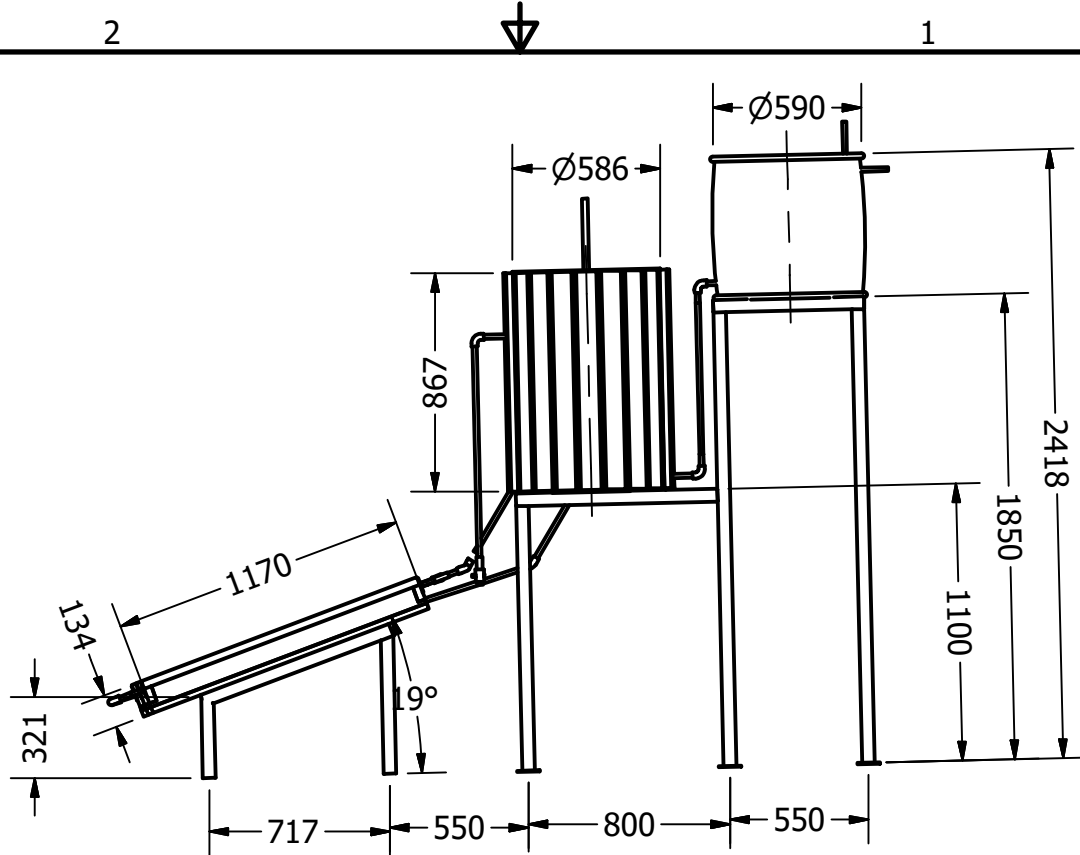



Proyect Zigzag Solar Water Heater		Created by D. Mosquera		Approved by D. Jeager	
Part Name zigzag solar water heater		Part Code A1		Document Type ASSEMBLY	
Redesigned by  OPEN SOURCE ECOLOGY GERMANY		Original drawing from WOT University of Twente		License CC-BY-SA	
		File Name oseg_zswH_A1_zigzag-solar-water-heater		Version 1.0	
		Scale 1:15		Quantity 1	
				Date 10.02.21	
				Sheet 1	



Project Zigzag Solar Water Heater		Created by D. Mosquera		Approved by D. Jeager	
Part Name zigzag solar water heater		Part Code A1		Document Type assembly	
Redesigned by  OPEN SOURCE ECOLOGY GERMANY		Original drawing from WOT University of Twente		File Name oseg_zswh_A1_zigzag-solar-water-heater.iam	
		License CC-BY-SA		Version 1.0	
		Scale 1 / 30		Quantity 1	
				Sheet 2	
				Date 10.02.21	